



US00D350903S

United States Patent [19]

[11] Patent Number: Des. 350,903

Chern

[45] Date of Patent: ** Sep. 27, 1994

[54] COMBINED EARTHQUAKE WARNING INDICATION AND ANTI-THEFT CLOCK

D. 336,260 6/1993 Jensen D10/106
D. 336,261 6/1993 James D10/106
3,156,990 11/1964 Dock D20/20

[76] Inventor: Wen-Bin Chern, No. 122, Kuang Ming Rd., Ta Chia Chen, Taichung Hsien, Taiwan

Primary Examiner—Wallace R. Burke
Assistant Examiner—Marcus Jackson
Attorney, Agent, or Firm—Morton J. Rosenberg; David I. Klein

[**] Term: 14 Years

[21] Appl. No.: 8,699

[57] CLAIM

[22] Filed: May 25, 1993

The ornamental design for a combined earthquake warning and indicator anti-theft clock, as shown and described.

[52] U.S. Cl. D10/4; D10/106

[58] Field of Search 340/540, 541, 571, 572, 340/573, 384 E, 393, 440; D10/104, 106, 109, 121, 40, 41, 1, 2, 3, 4, 6, 21, 28; D20/18, 19

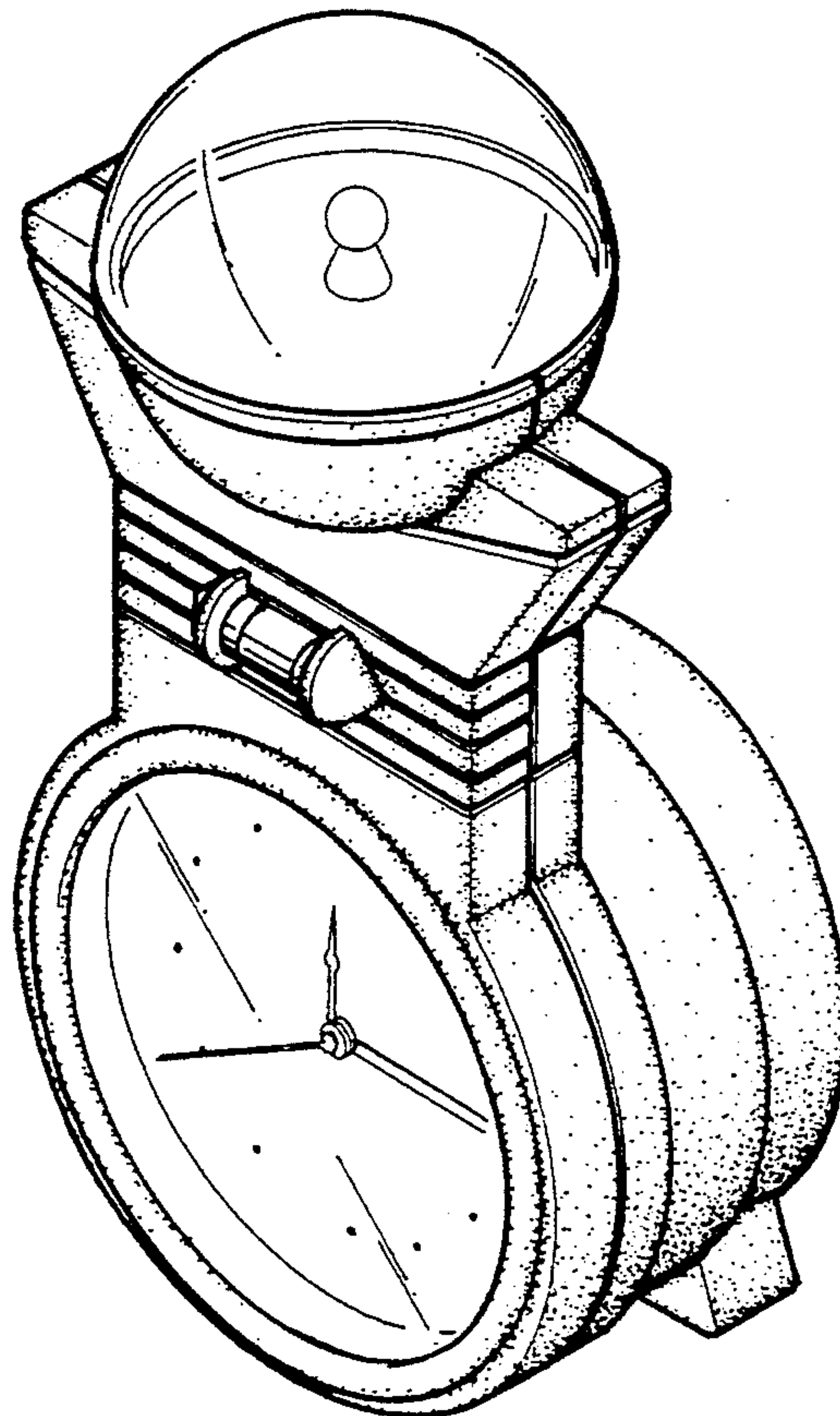
DESCRIPTION

[56] References Cited

FIG. 1 is a perspective view of a combined earthquake warning indicator and antitheft clock showing my new design;
FIG. 2 is a front elevational view thereof;
FIG. 3 is a rear elevational view thereof;
FIG. 4 is a top plan view thereof;
FIG. 5 is a bottom plan view thereof;
FIG. 6 is a left side elevational view thereof; and,
FIG. 7 is a right side elevational view thereof.

U.S. PATENT DOCUMENTS

10,742 7/1878 Bradley D10/4
D. 53,053 3/1919 Sheras D10/41
D. 88,735 10/1932 Gosling D10/4
D. 176,735 1/1956 Reinecke D10/4
D. 213,817 4/1969 Delaney D20/19
D. 284,271 6/1986 Henkels D10/4



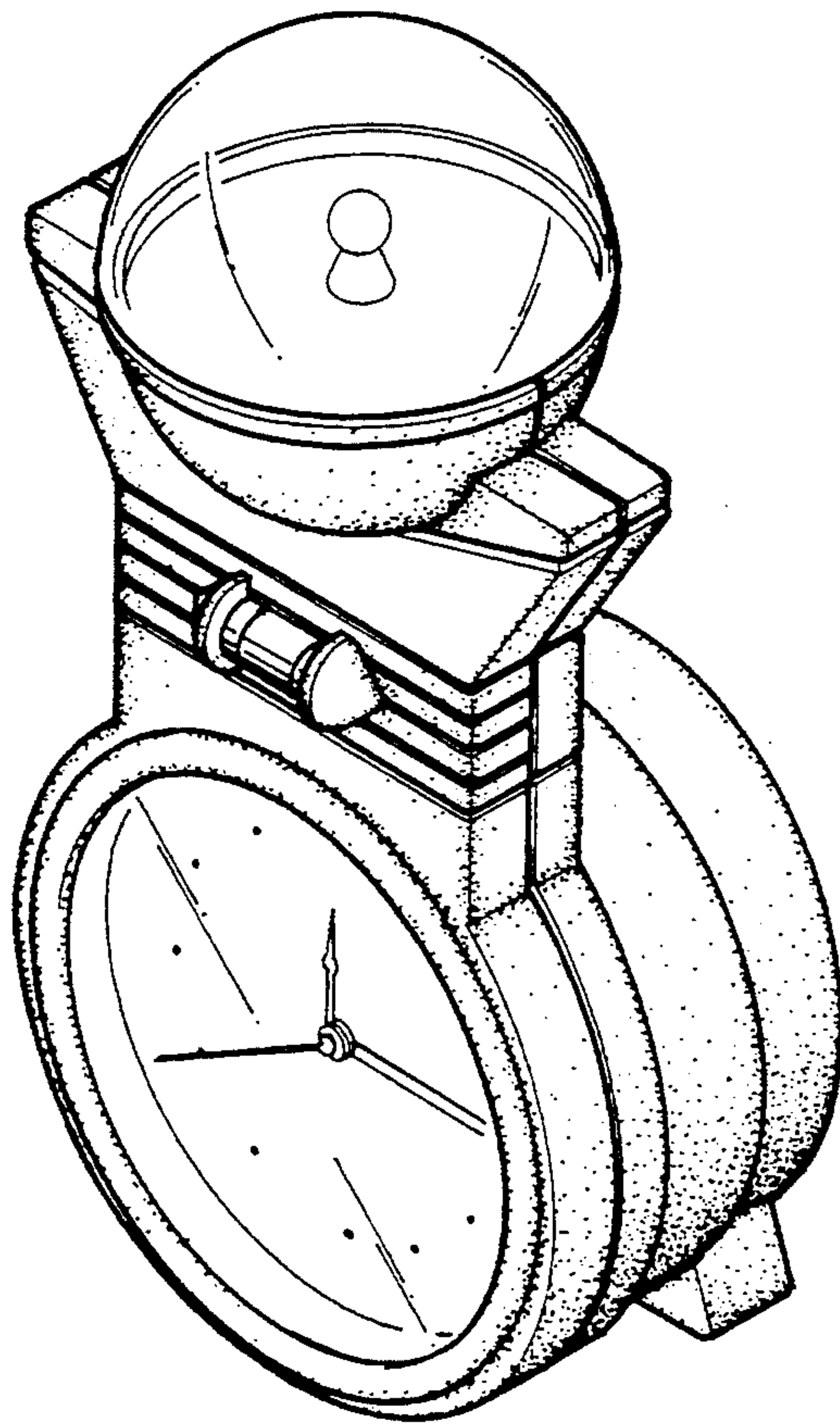


FIG. 1

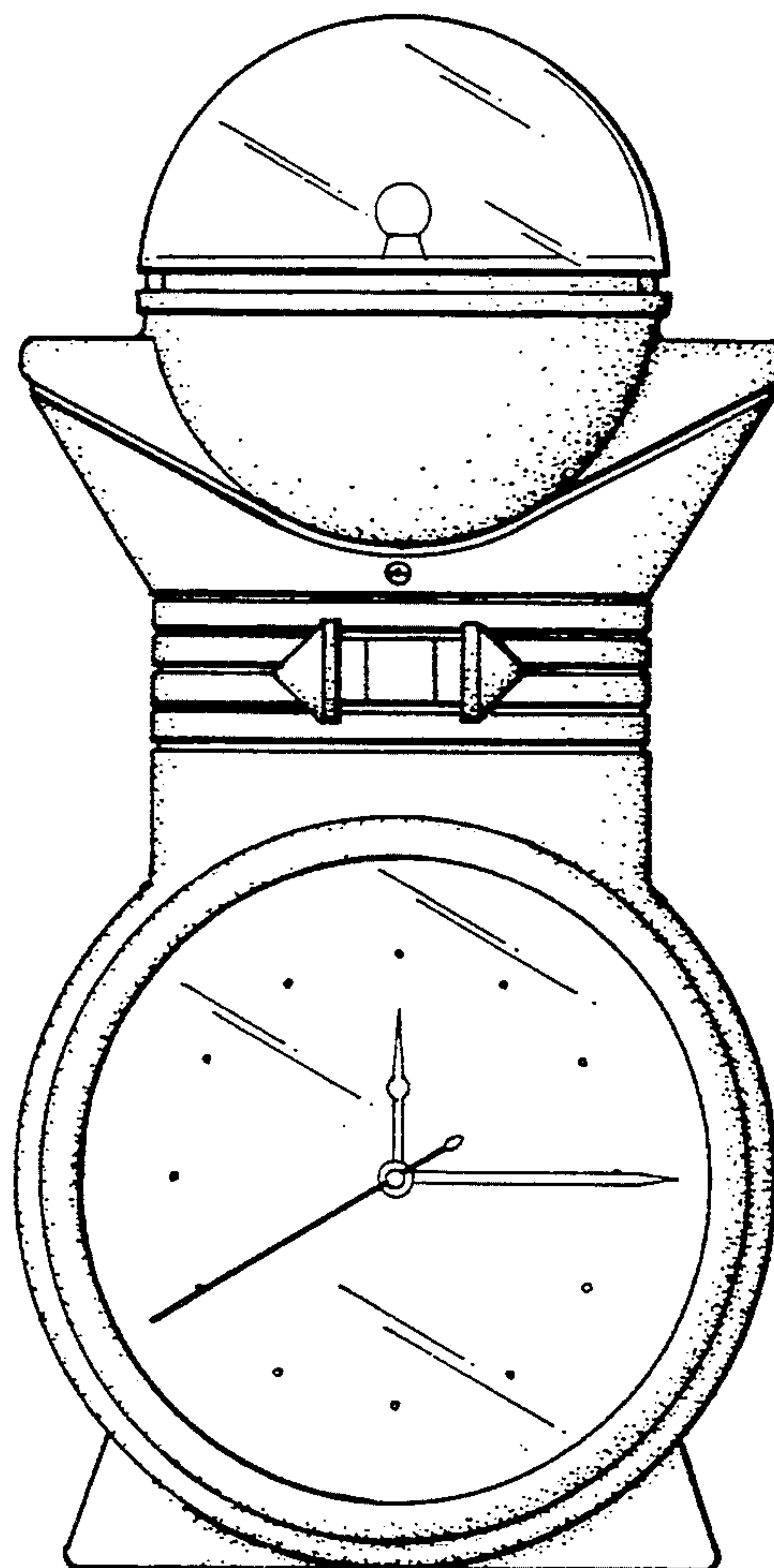


FIG. 2

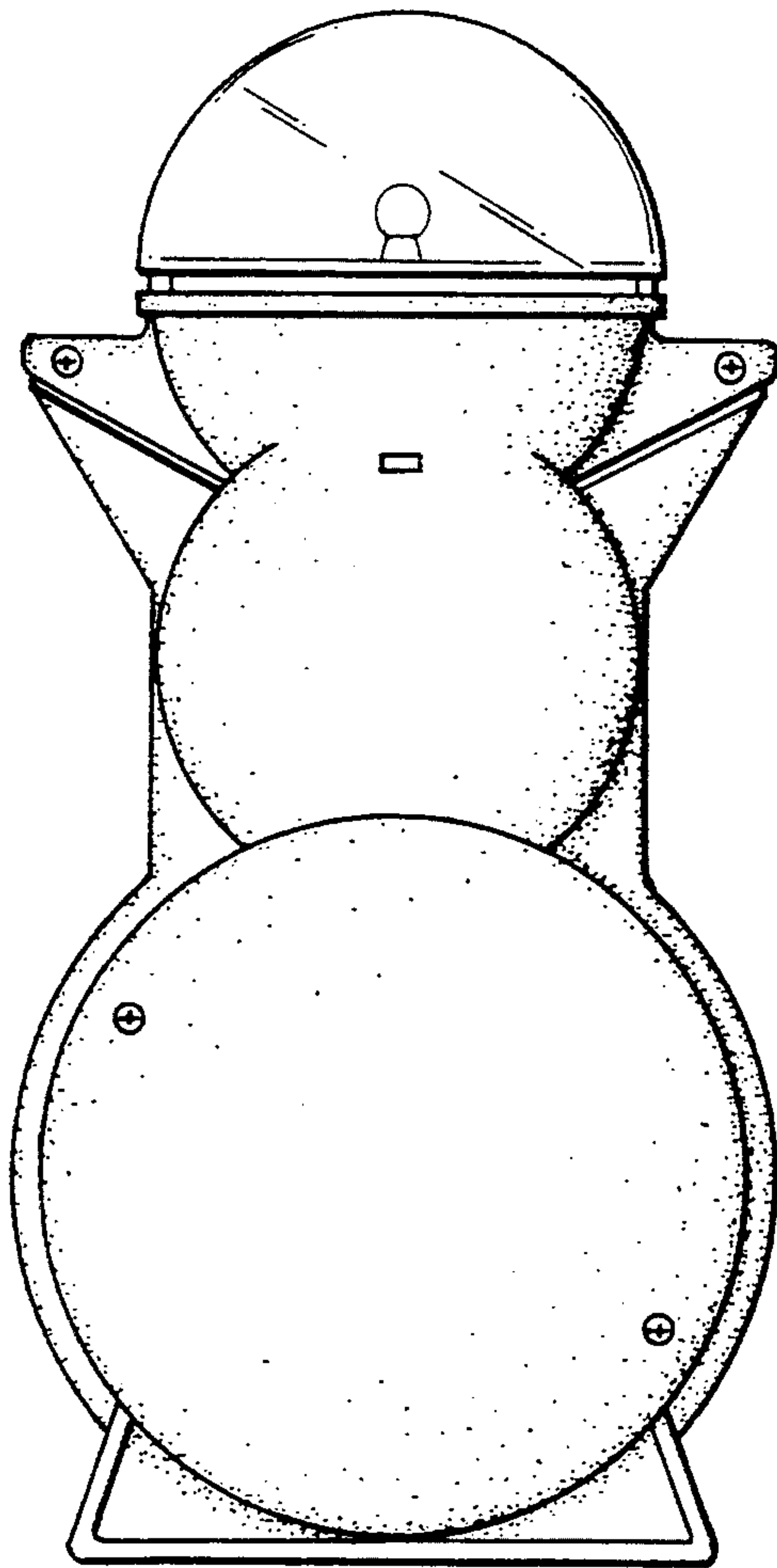


FIG. 3

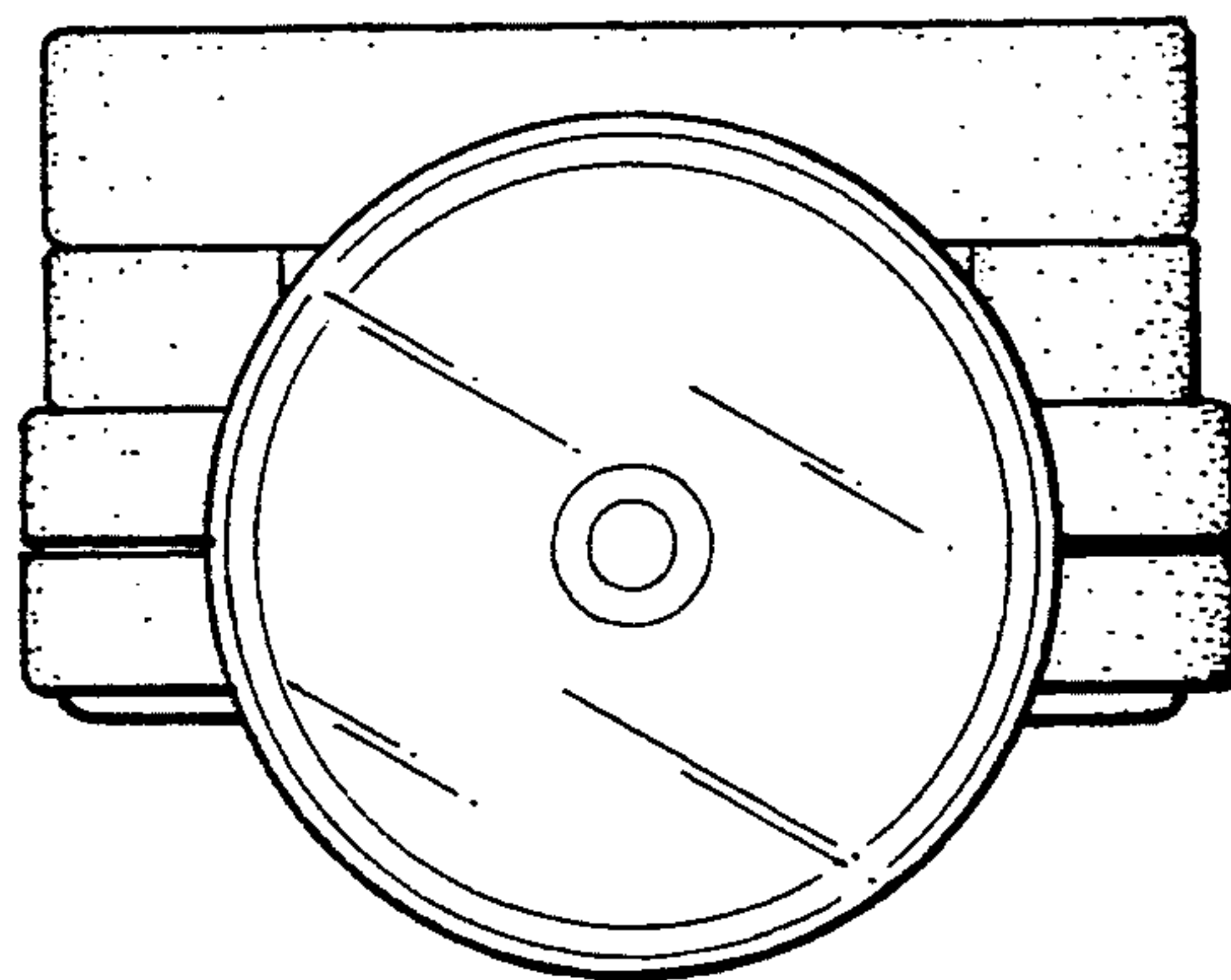


FIG. 4

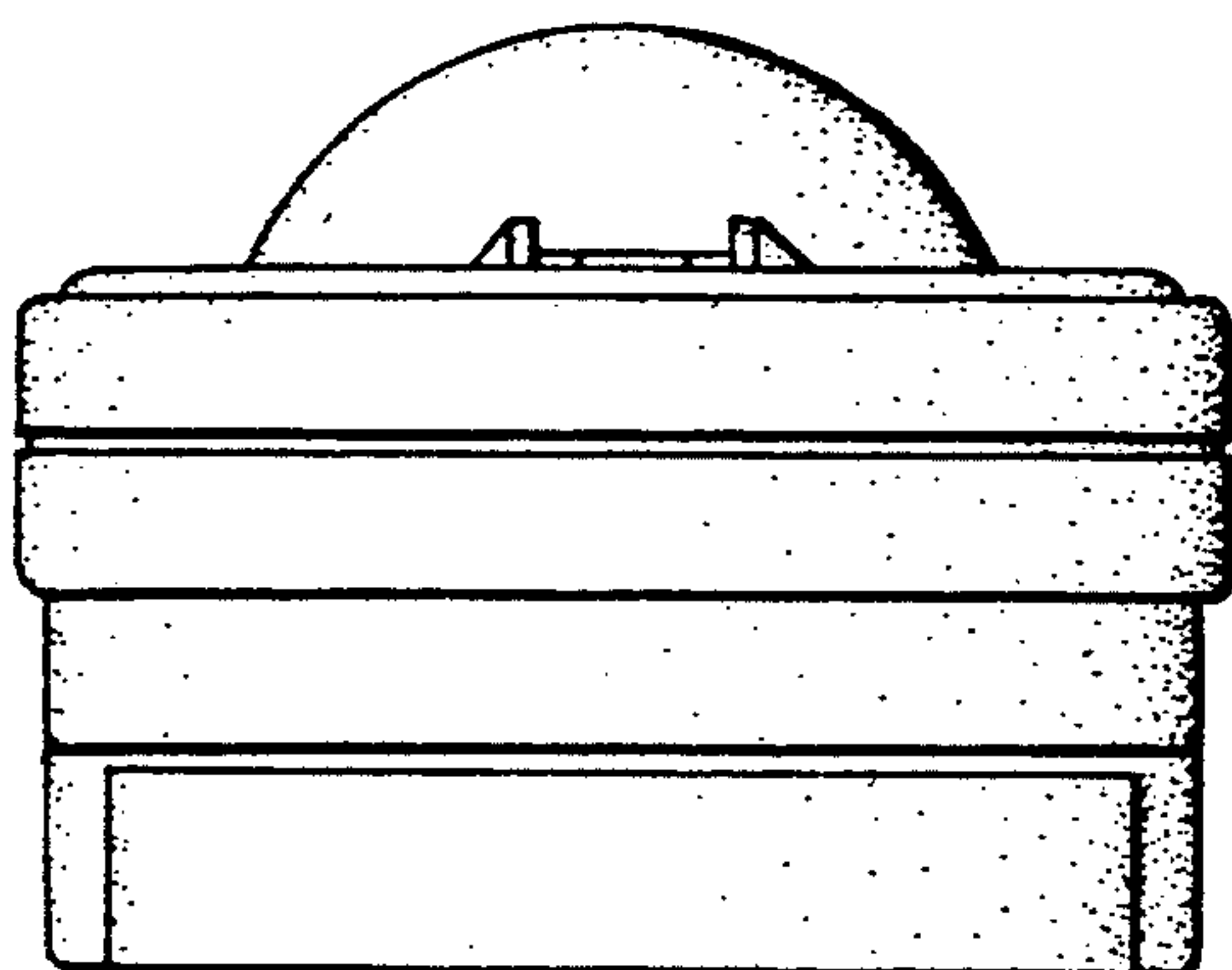


FIG. 5

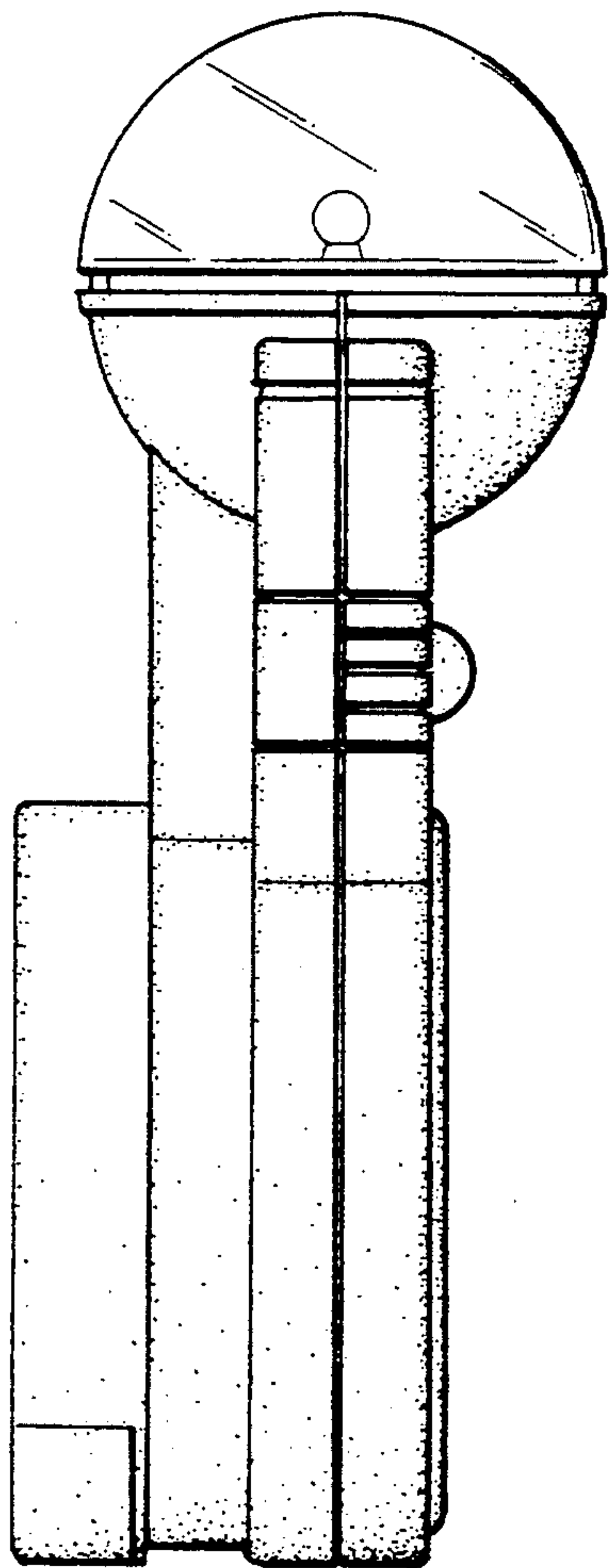


FIG. 6

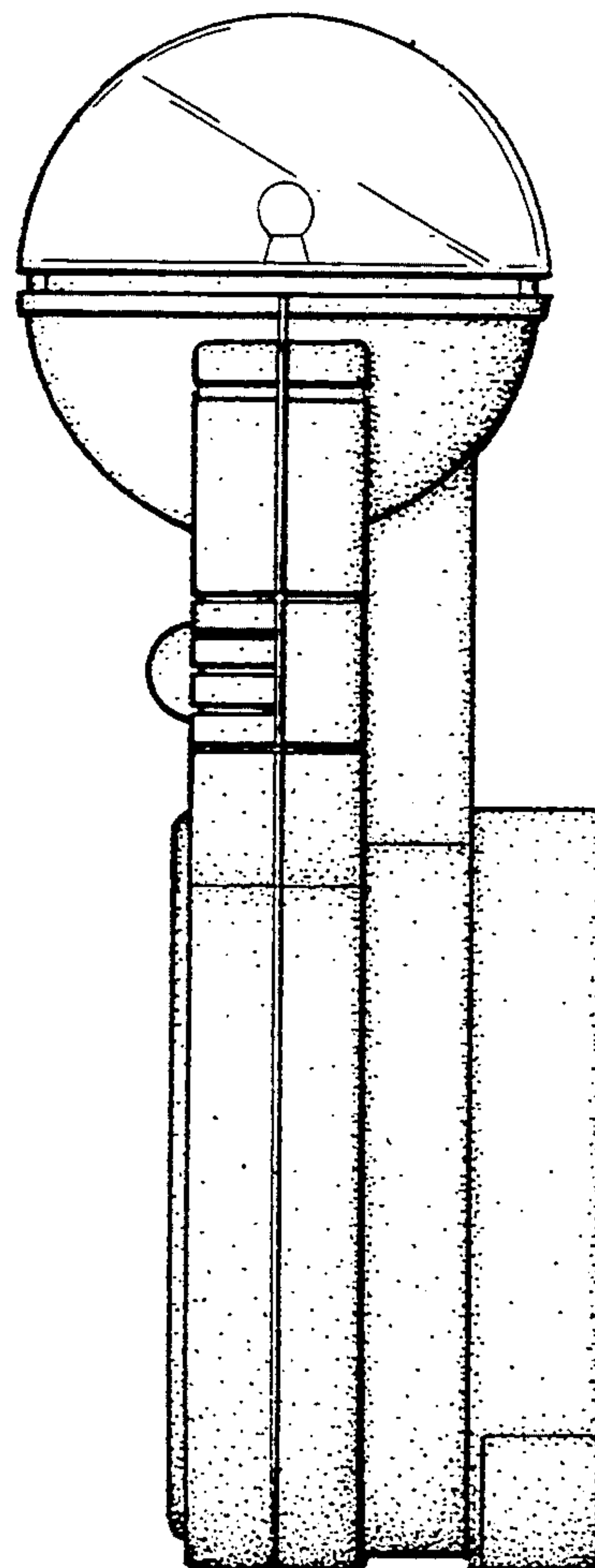


FIG. 7