



US00D350900S

United States Patent [19]

[11] Patent Number: **Des. 350,900**

Goetz

[45] Date of Patent: **** Sep. 27, 1994**

- [54] **BUCKET FOR STORING AND MERCHANDISING CHAIN**
- [75] Inventor: **Charles R. Goetz**, Carnegie, Pa.
- [73] Assignee: **Advanced Products Inc.**, Carnegie, Pa.
- [**] Term: **14 Years**
- [21] Appl. No.: **844,407**
- [22] Filed: **Mar. 2, 1992**
- [52] U.S. Cl. **D9/502; D9/532; D32/53**
- [58] **Field of Search** 15/264; 206/525, 408, 206/409; 220/697-702, 904, 755, 760, 770, 773, 774, 776; D9/428, 435, 447; D32/53, 53.1; D22/136

5,201,419 4/1993 Hayes 206/409

FOREIGN PATENT DOCUMENTS

665117 1/1965 Belgium 220/776

OTHER PUBLICATIONS

Public Disclosure Aug. 1991 at National Hardware Show.

Primary Examiner—Wallace R. Burke
Assistant Examiner—Robin Taylor
Attorney, Agent, or Firm—William J. Ruano

[57] CLAIM

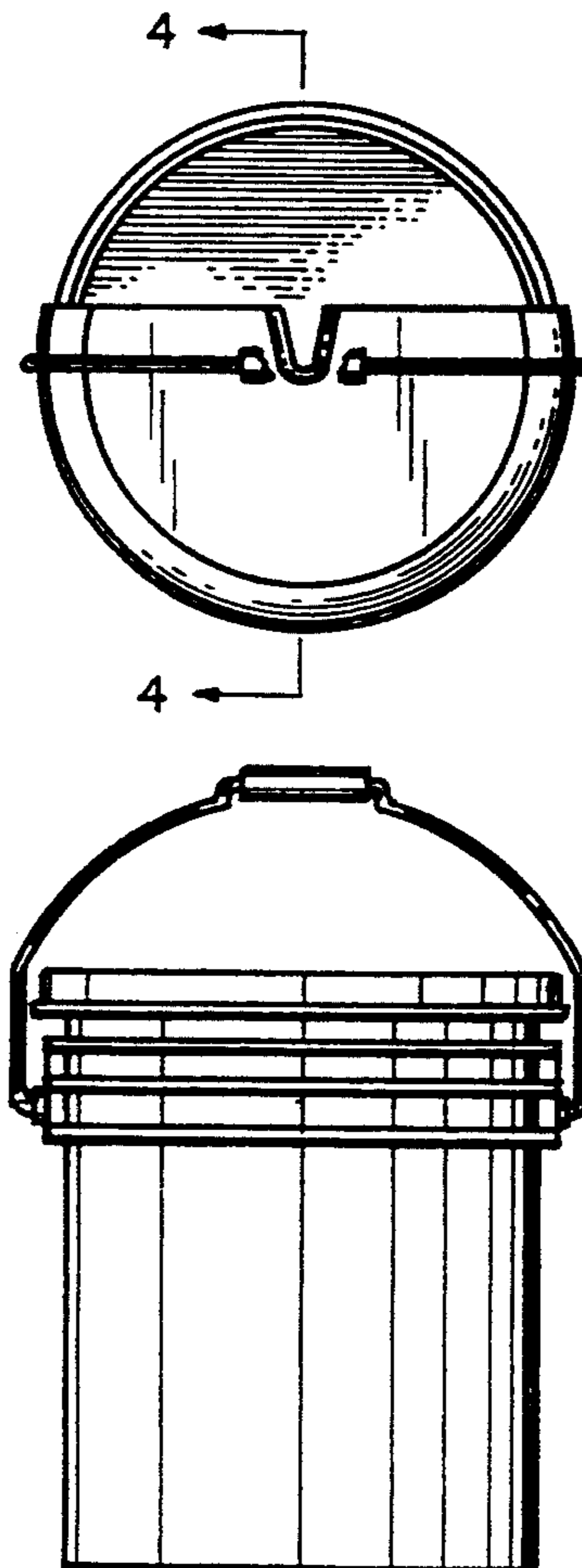
The ornamental design for a bucket for storing and merchandising chain, as shown and described.

DESCRIPTION

FIG. 1 is a top view of a bucket for storing and merchandising chain showing my new design; FIG. 2 is a side view thereof, the opposite side being the same; FIG. 3 is a bottom view thereof; and, FIG. 4 is an enlarged fragmentary sectional view taken along line 4—4 of FIG. 1 with the leading chain link and other matter in broken lines shown for illustrative purposes only and forms no part of the claimed design.

[56] References Cited U.S. PATENT DOCUMENTS

D. 209,870	1/1968	Yates, Jr.	D32/53
D. 220,973	6/1971	Yates, Jr.	D32/53
D. 222,981	2/1972	Yates, Jr.	D32/53
D. 289,455	4/1987	Freiler	D32/53
3,550,807	12/1970	Yates, Jr.	220/770
3,556,293	1/1971	Schlueter	206/409



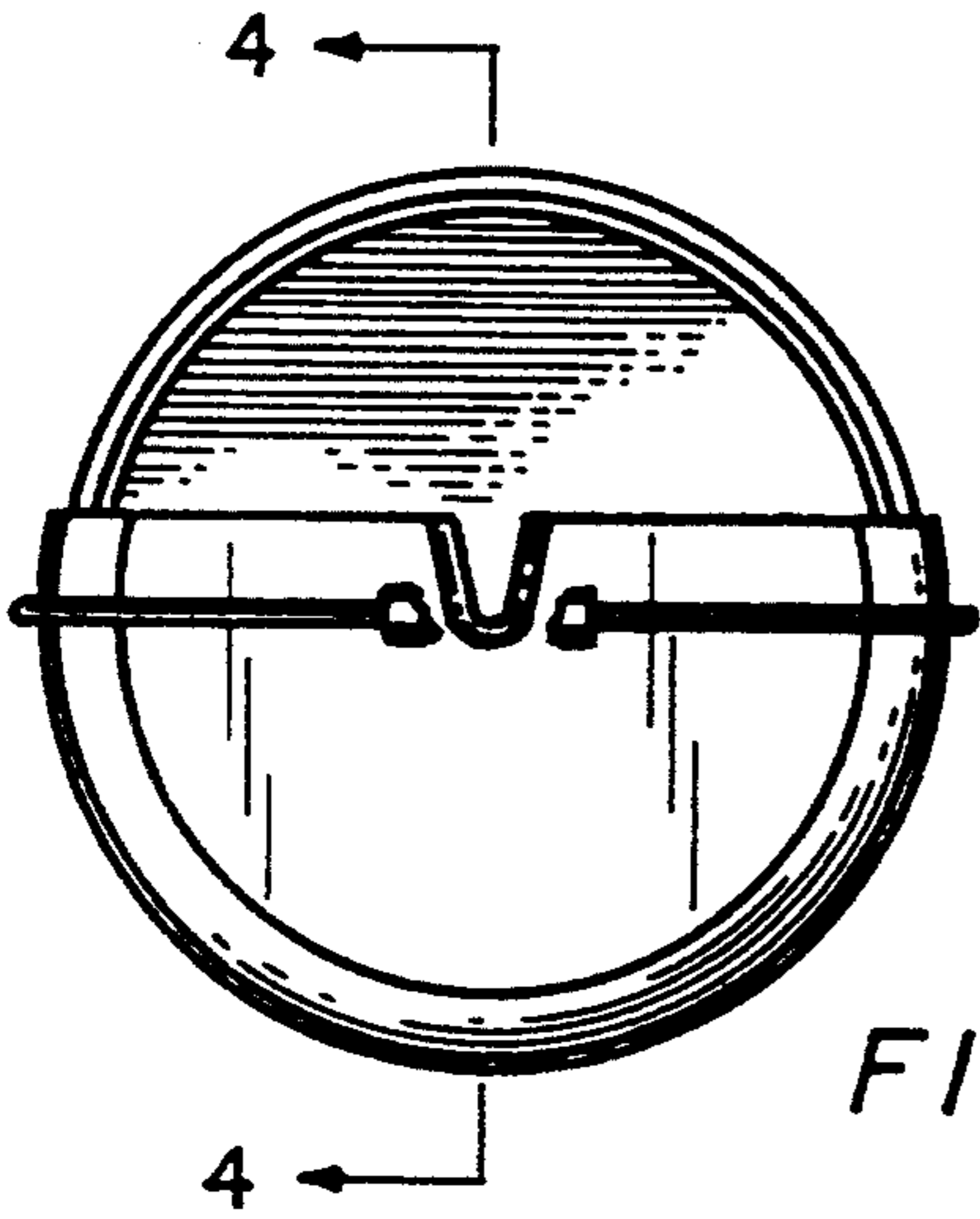


FIG. 1

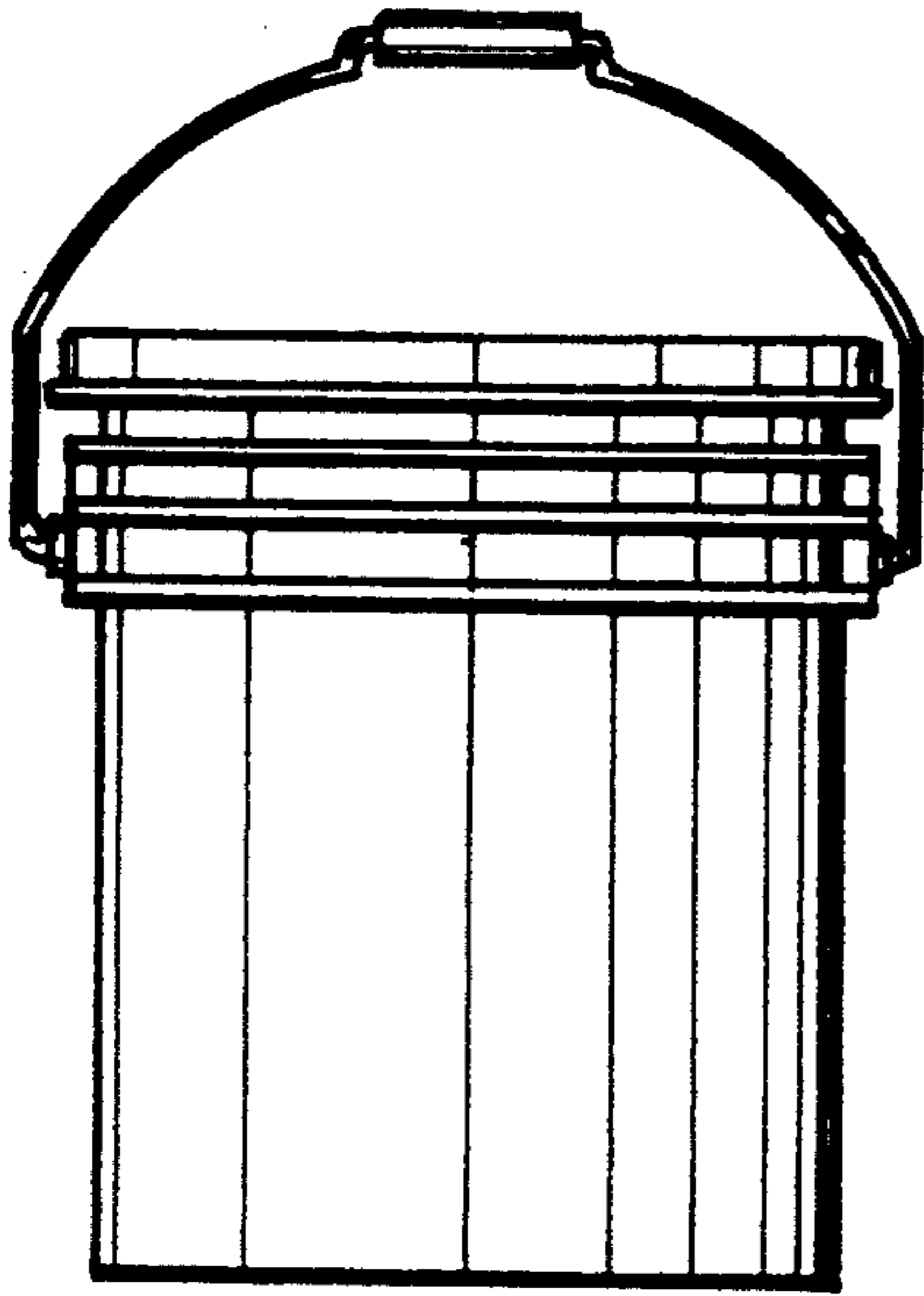


FIG. 2

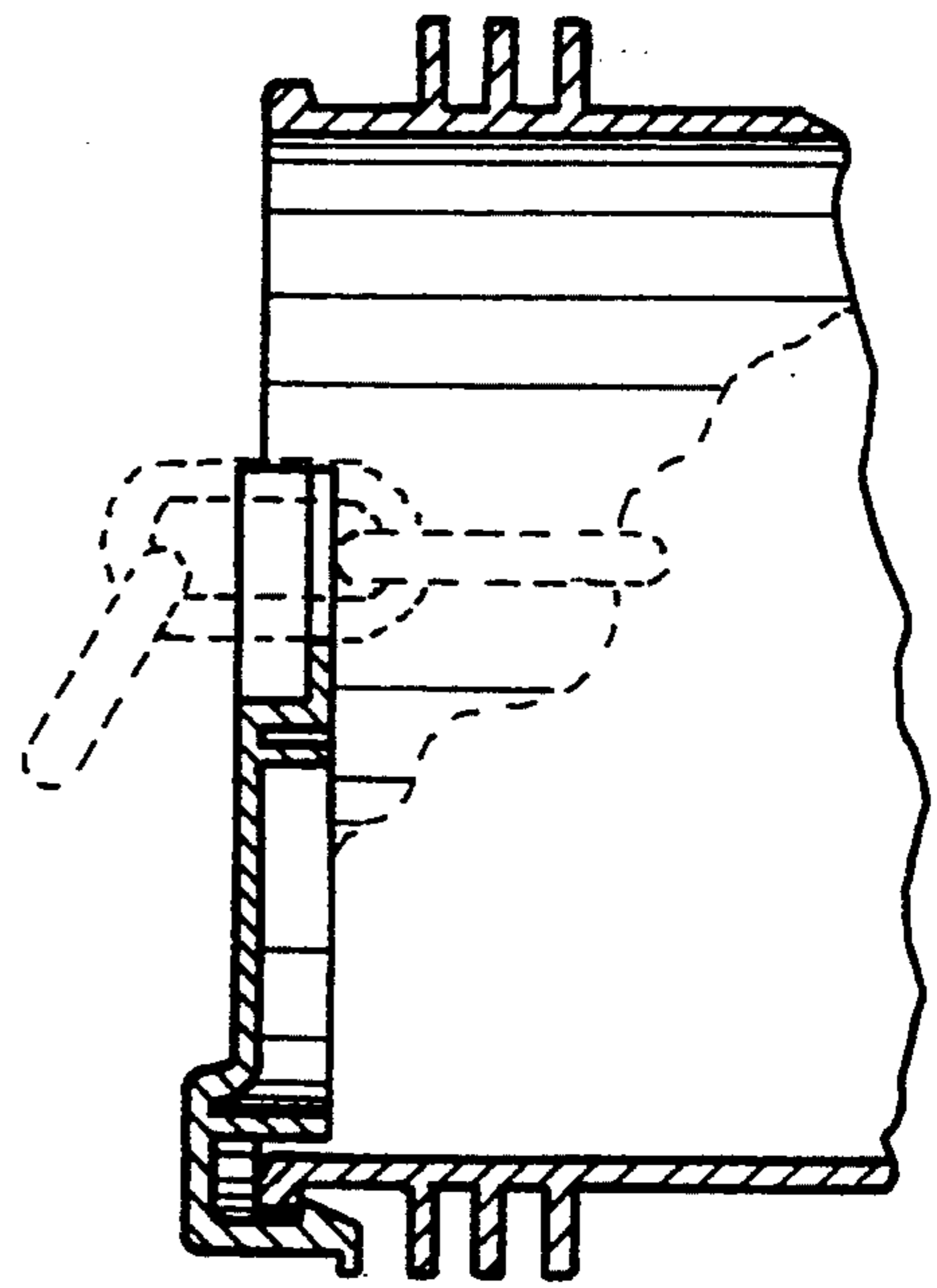


FIG. 4

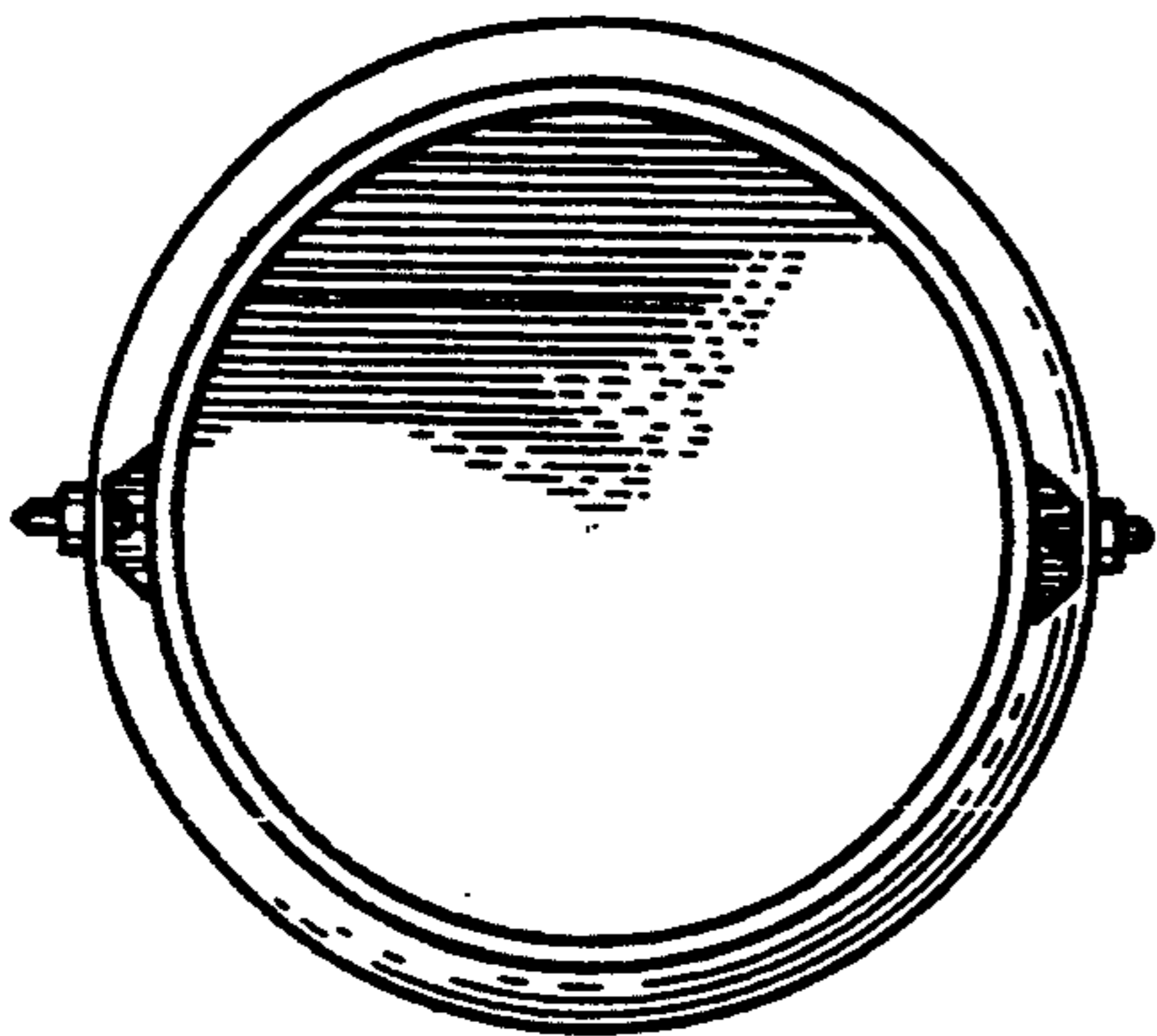


FIG. 3