



US00D350889S

# United States Patent [19]

Frierman

[11] Patent Number: Des. 350,889

[45] Date of Patent: \*\* Sep. 27, 1994

[54] Mallet Head

[76] Inventor: Michael Frierman, 5453 Houston Dr., Lakeland, Fla. 33809-4235

[\*\*] Term: 14 Years

[21] Appl. No.: 3,893

[22] Filed: Jan. 21, 1993

[52] U.S. Cl. .... D8/78; D8/77

[58] Field of Search ..... D8/75, 76, 77, 78, 79, D8/81; 81/20, 19, 21, 22, 25, 26, 27

[56] References Cited

### U.S. PATENT DOCUMENTS

D. 143,979	2/1946	Lydle .....	D8/78
D. 186,972	12/1959	Unsinn .....	D8/78
D. 257,826	1/1981	Jones .....	D8/11
D. 288,406	2/1987	Santos .....	D8/78
D. 295,602	5/1988	Williamson .....	D8/78
D. 300,001	2/1989	Oberg .....	D8/78

755,355	3/1904	Carlsen .....	81/20
797,174	8/1905	Clason .....	81/20
2,525,429	10/1950	Seip .....	81/20

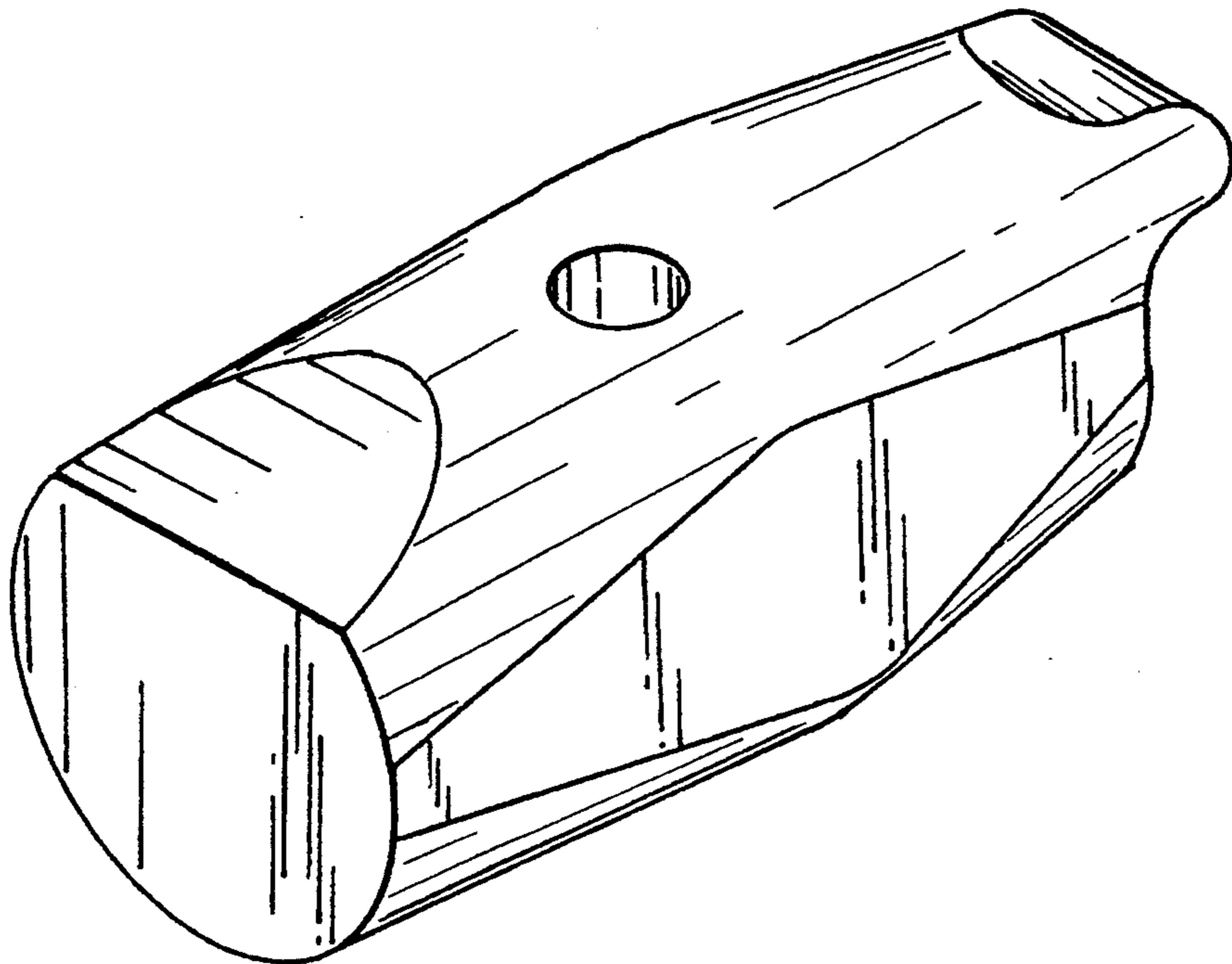
Primary Examiner—Bernard Ansher  
Assistant Examiner—Philip Hyder  
Attorney, Agent, or Firm—George A. Bode

### [57] CLAIM

The ornamental design for a mallet head, as shown and described.

### DESCRIPTION

FIG. 1 is a side elevational view of a mallet head showing my new design, the opposite being a mirror image thereof;  
FIG. 2 is a rear elevational view thereof;  
FIG. 3 is a bottom plan view thereof;  
FIG. 4 is a front elevational view thereof;  
FIG. 5 is a top plan view thereof; and,  
FIG. 6 is a bottom front perspective view thereof.



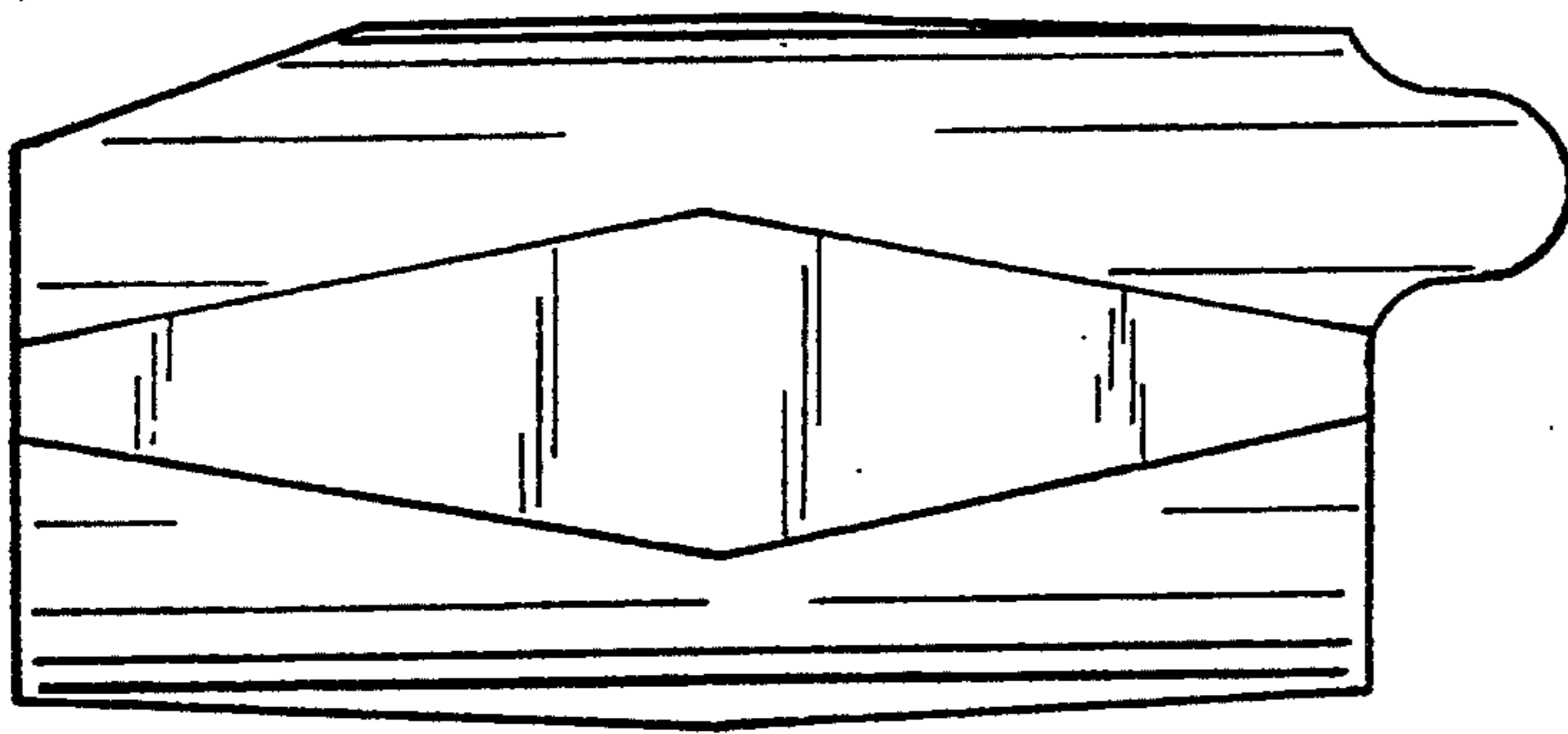


FIG. 1

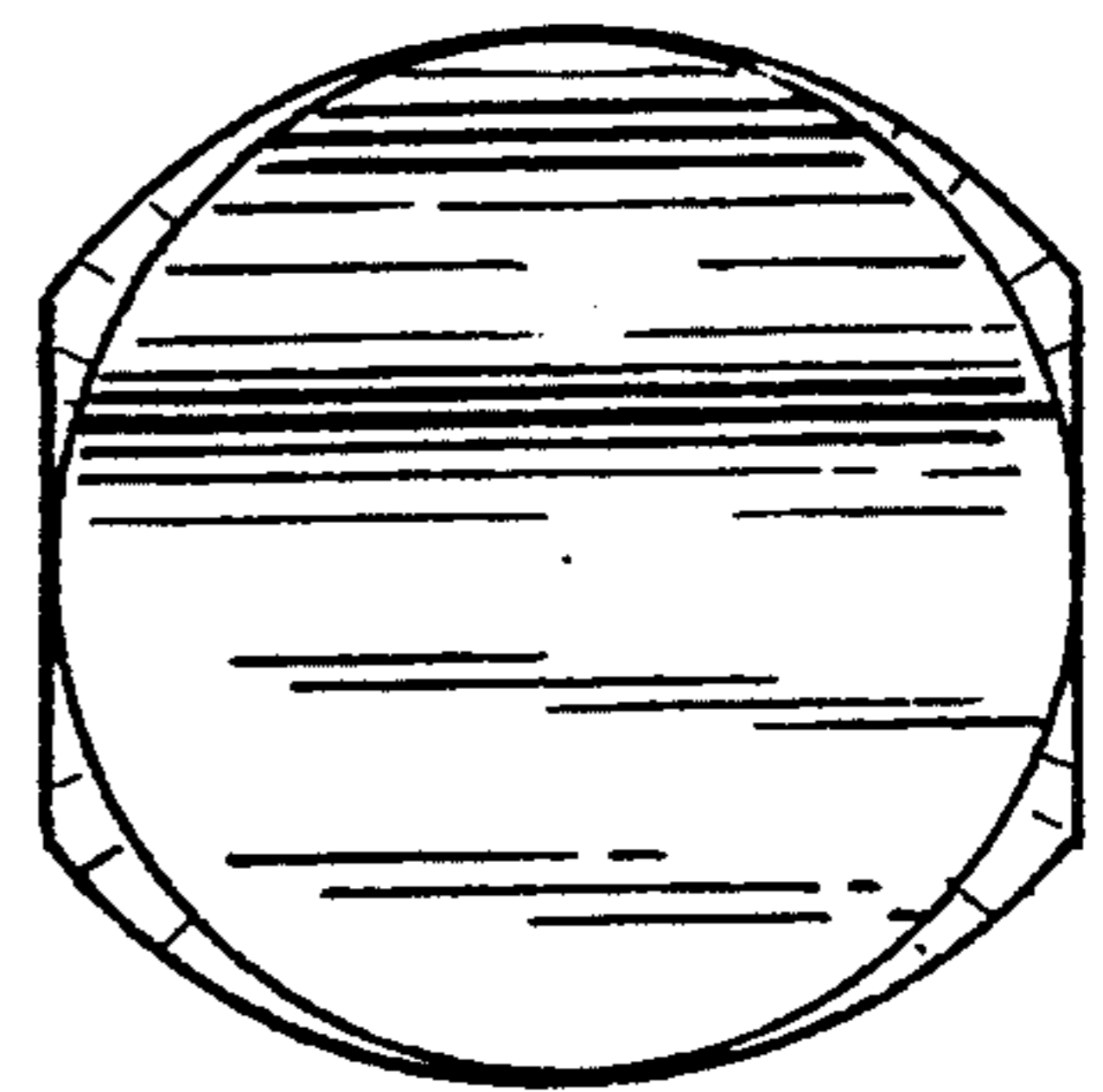


FIG. 2

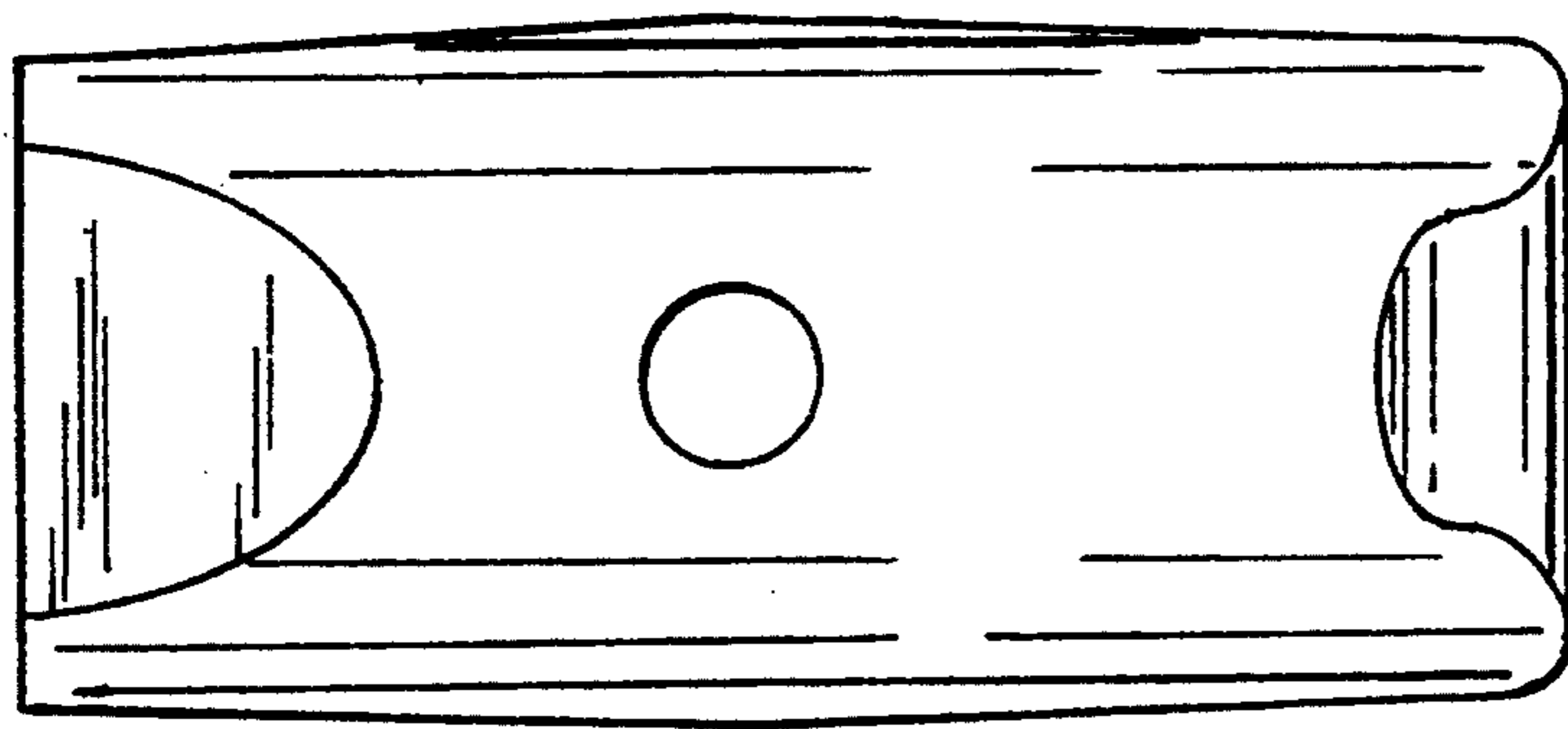


FIG. 3

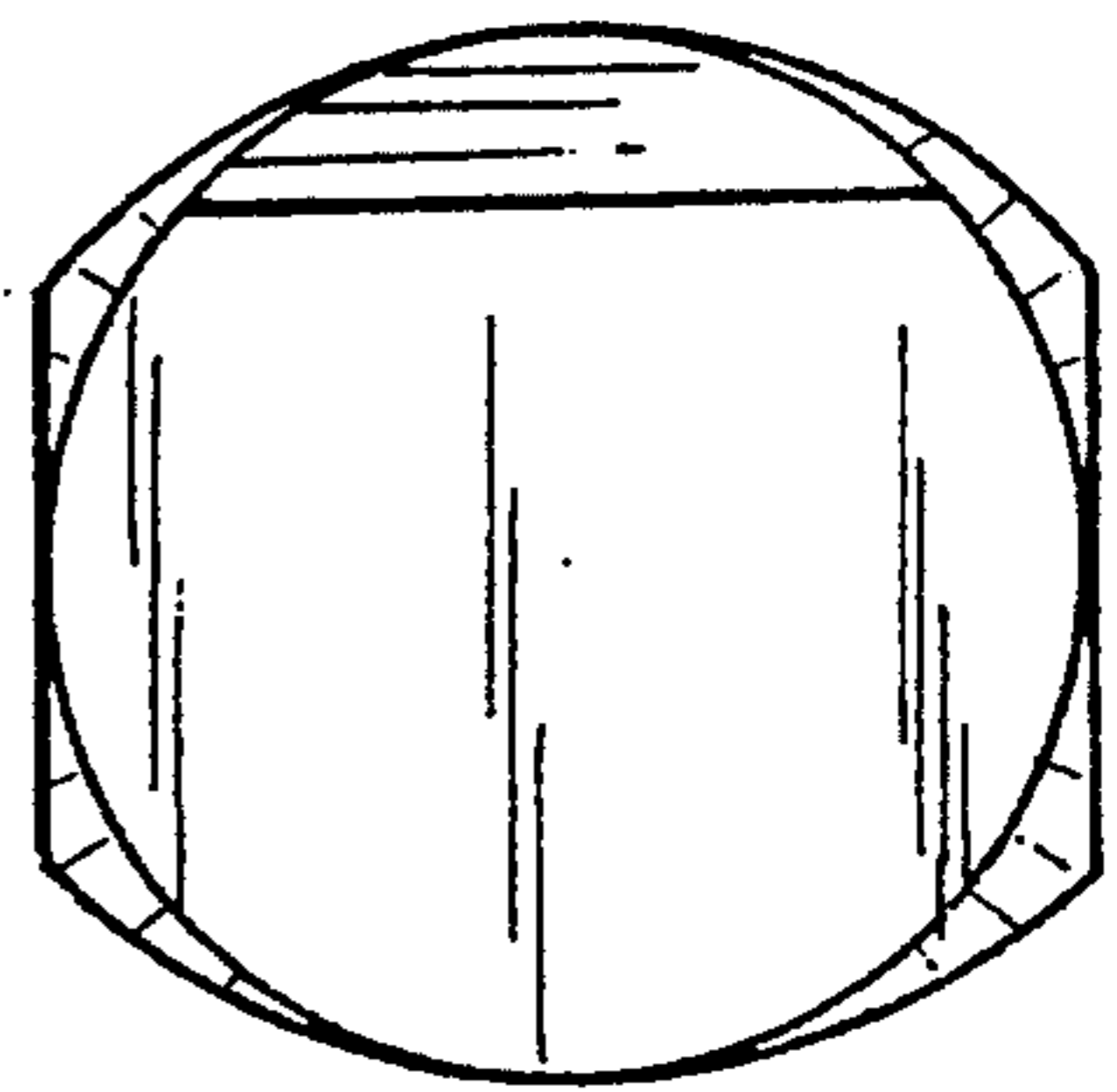


FIG. 4

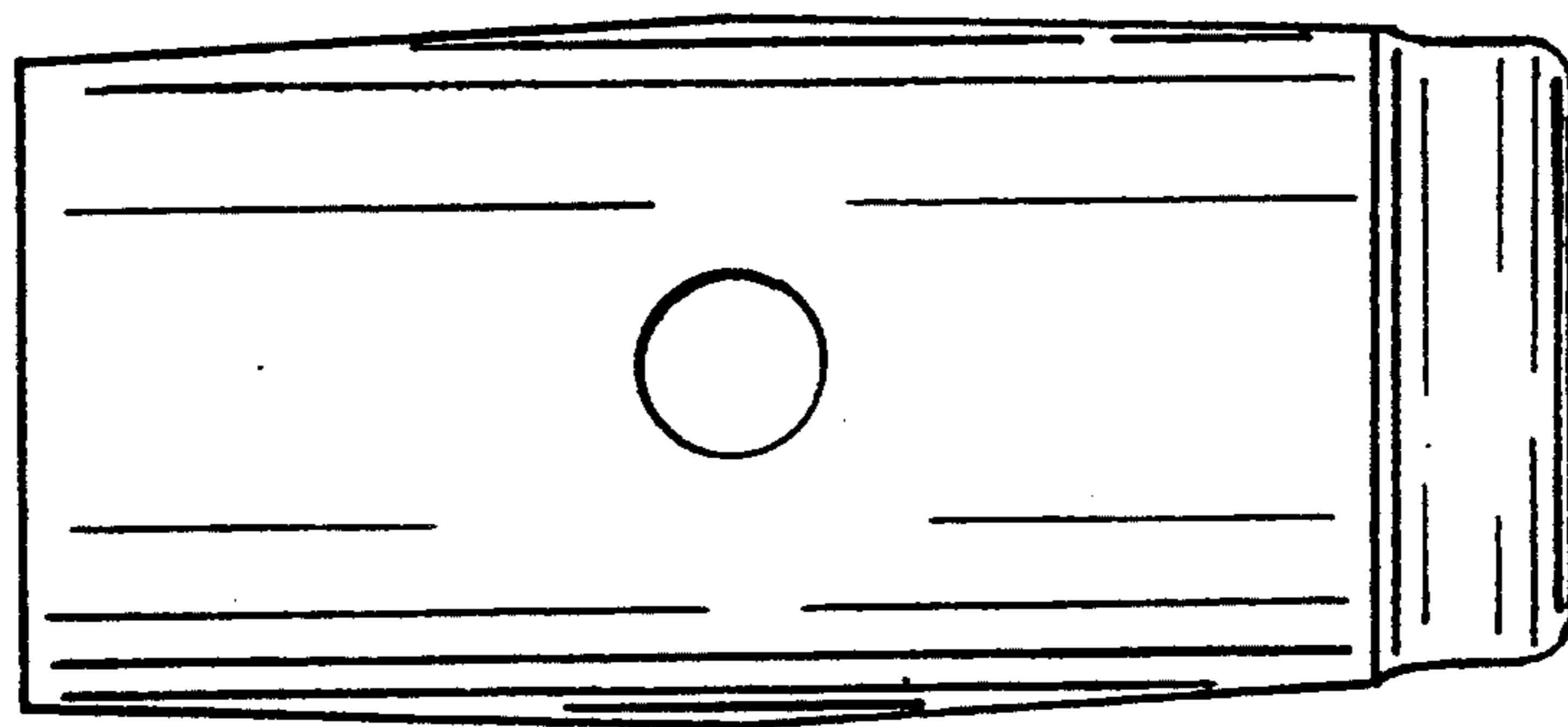


FIG. 5

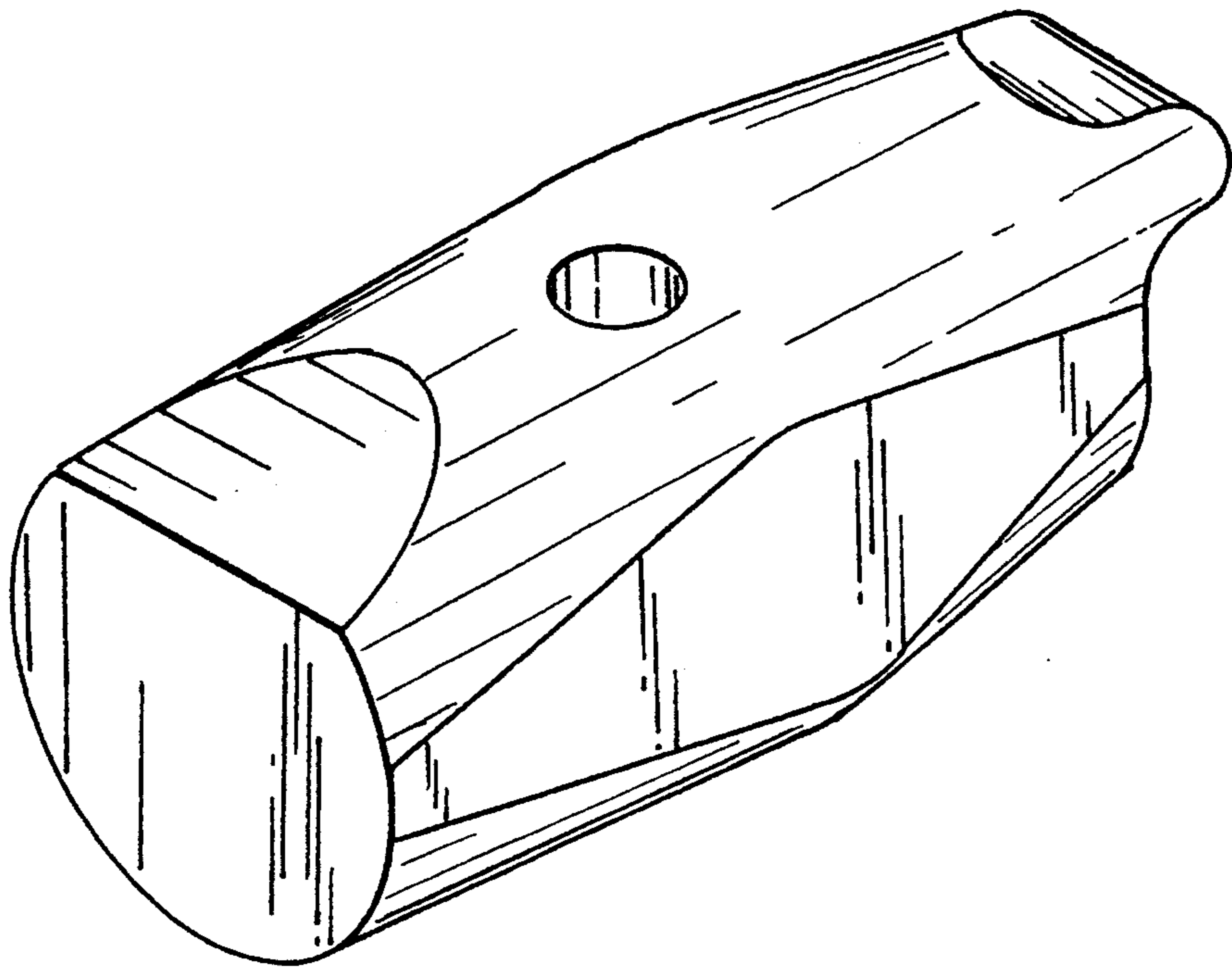


FIG. 6