



US00D350888S

United States Patent [19]

[11] Patent Number: Des. 350,888

Perry

[45] Date of Patent: ** Sep. 27, 1994

[54] FOOT OR HAND OPERATED LUG NUT WRENCH HOLDER

4,691,599	9/1987	Schutz	81/177.2
4,811,924	3/1989	Walters	248/354.5
4,819,523	4/1989	Souza	81/177.2
5,075,914	12/1991	Green	7/100

[76] Inventor: **Gerald Perry**, 19339 Maple Ave., Weed, Calif. 96094

[**] Term: 14 Years

Primary Examiner—Alan P. Douglas
Assistant Examiner—Jeff H. Musgrove
Attorney, Agent, or Firm—Terry M. Gernstein

[21] Appl. No.: 9,801

[57] CLAIM

[22] Filed: Jun. 24, 1993

The ornamental design for a foot or hand operated lug nut wrench holder, as shown and described.

[52] U.S. Cl. D8/71; D34/31

[58] Field of Search D8/71, 61; 248/354.5; D34/31

DESCRIPTION

[56] References Cited

U.S. PATENT DOCUMENTS

D. 269,473	6/1983	Jönsson	D34/31
D. 278,753	5/1985	Honour, VII	D34/31
1,022,036	4/1912	McLendon et al.	248/354.5
2,439,854	4/1946	Lipski	248/354.5
4,042,202	8/1977	Molinari	248/354.5
4,690,361	9/1987	Lundman	248/354.5

FIG. 1 is a front, top and side perspective view of the foot or hand operated lug nut wrench showing my new design;

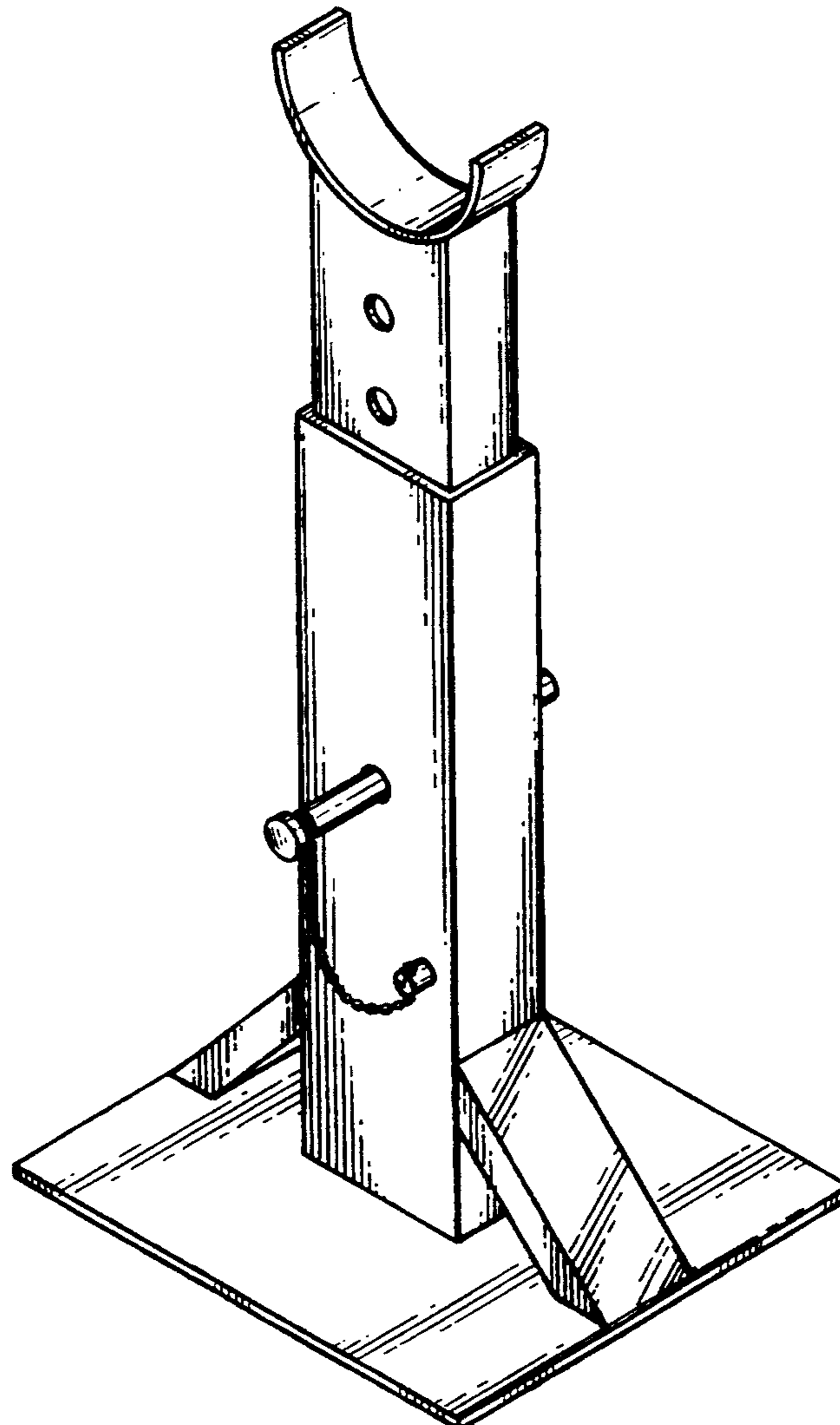
FIG. 2 is a front elevational view thereof;

FIG. 3 is a rear elevational view thereof;

FIG. 4 is a side elevational view thereof, the side opposite being a mirror image of the side shown in FIG. 4;

FIG. 5 is a top plan view thereof; and,

FIG. 6 is a bottom plan view thereof.



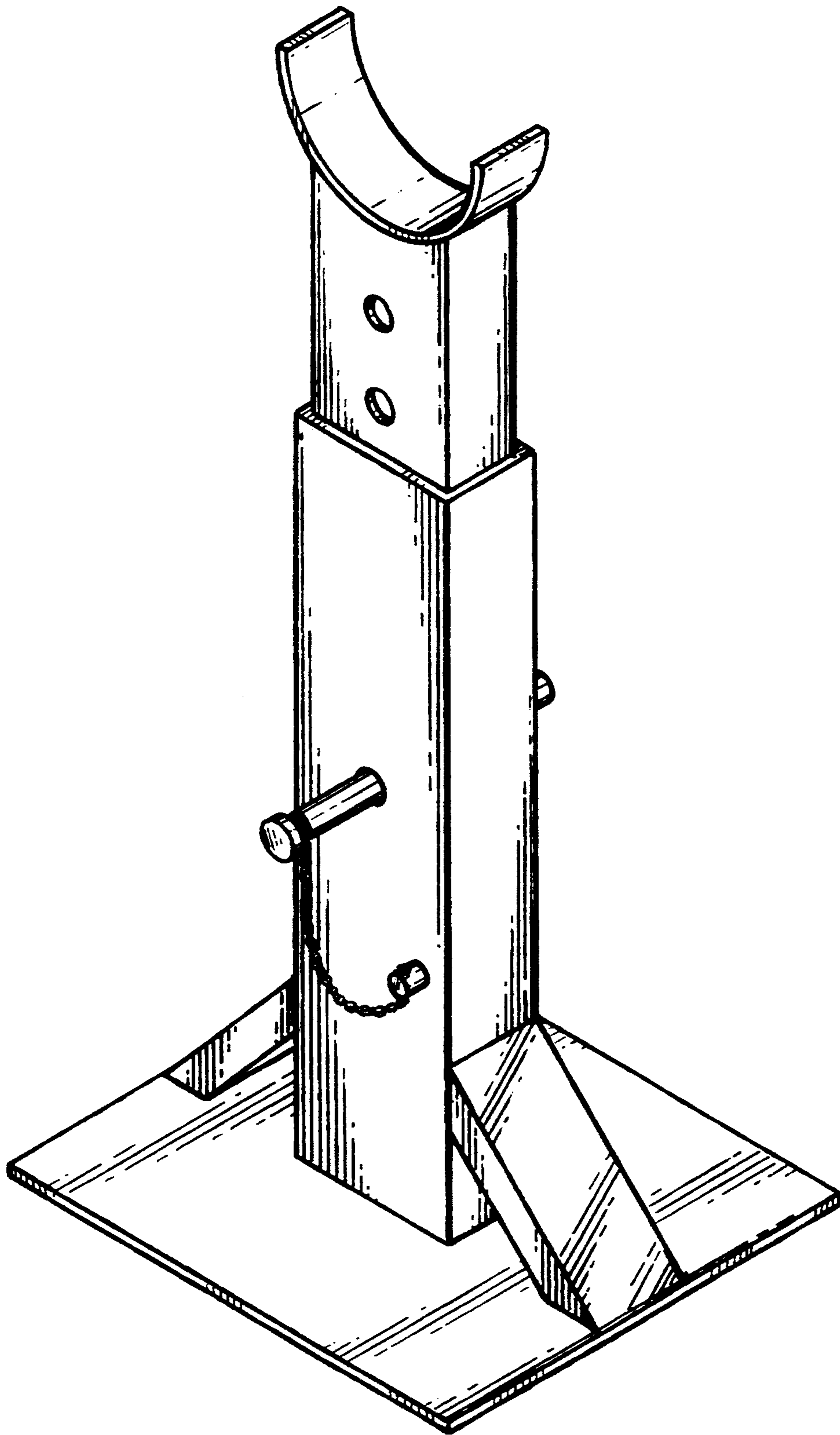


FIG. 1

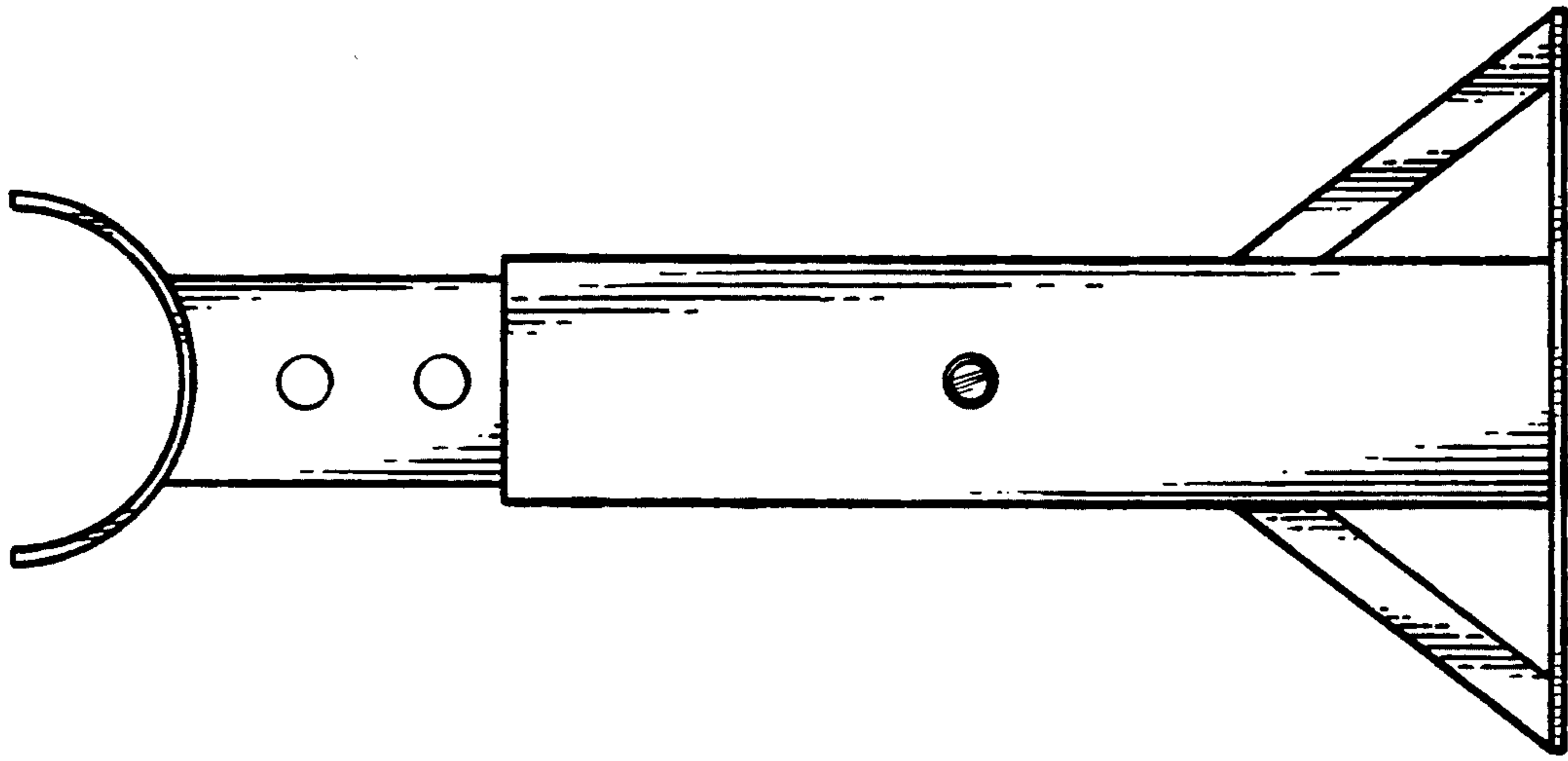


FIG. 3

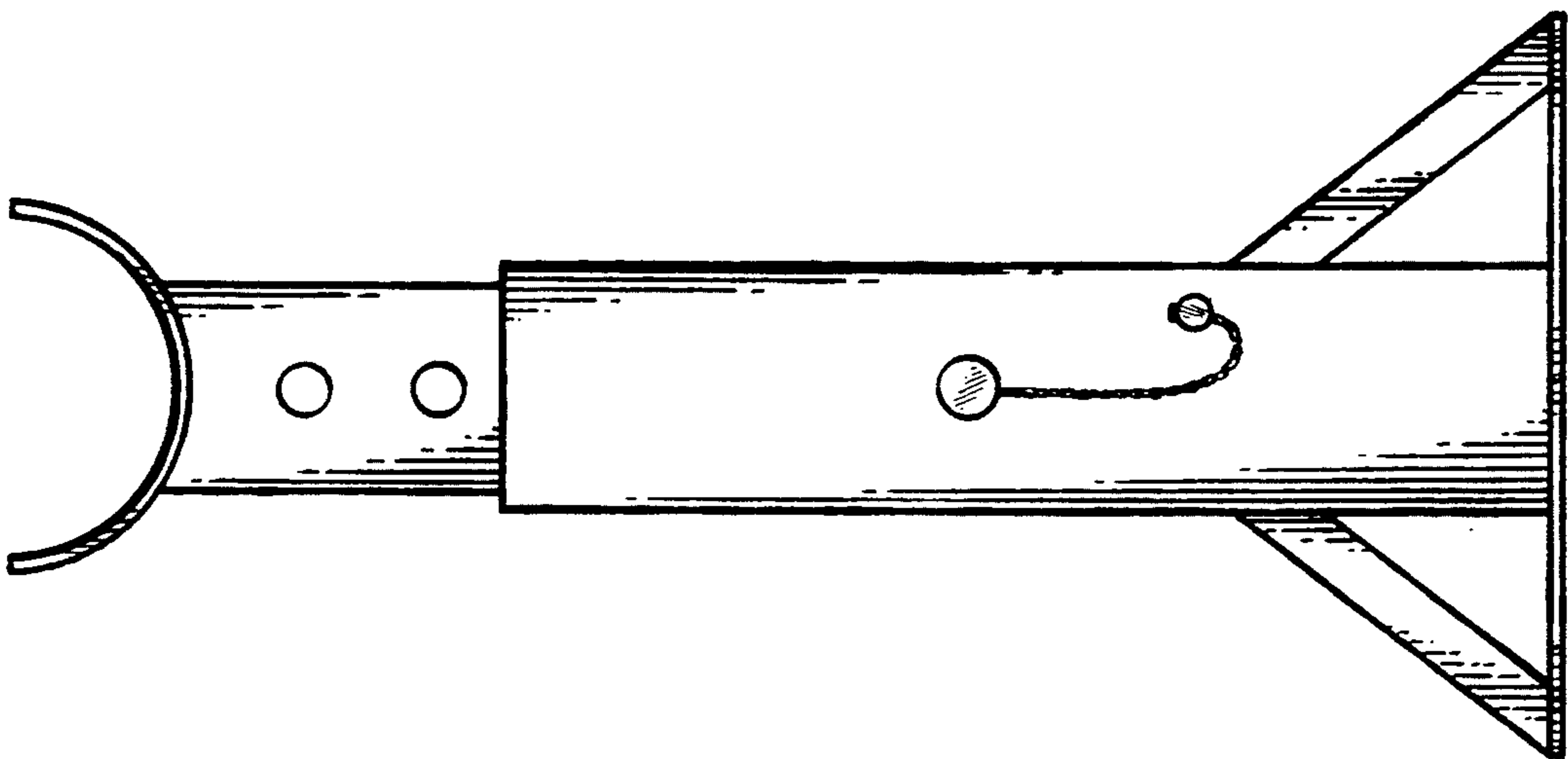


FIG. 2

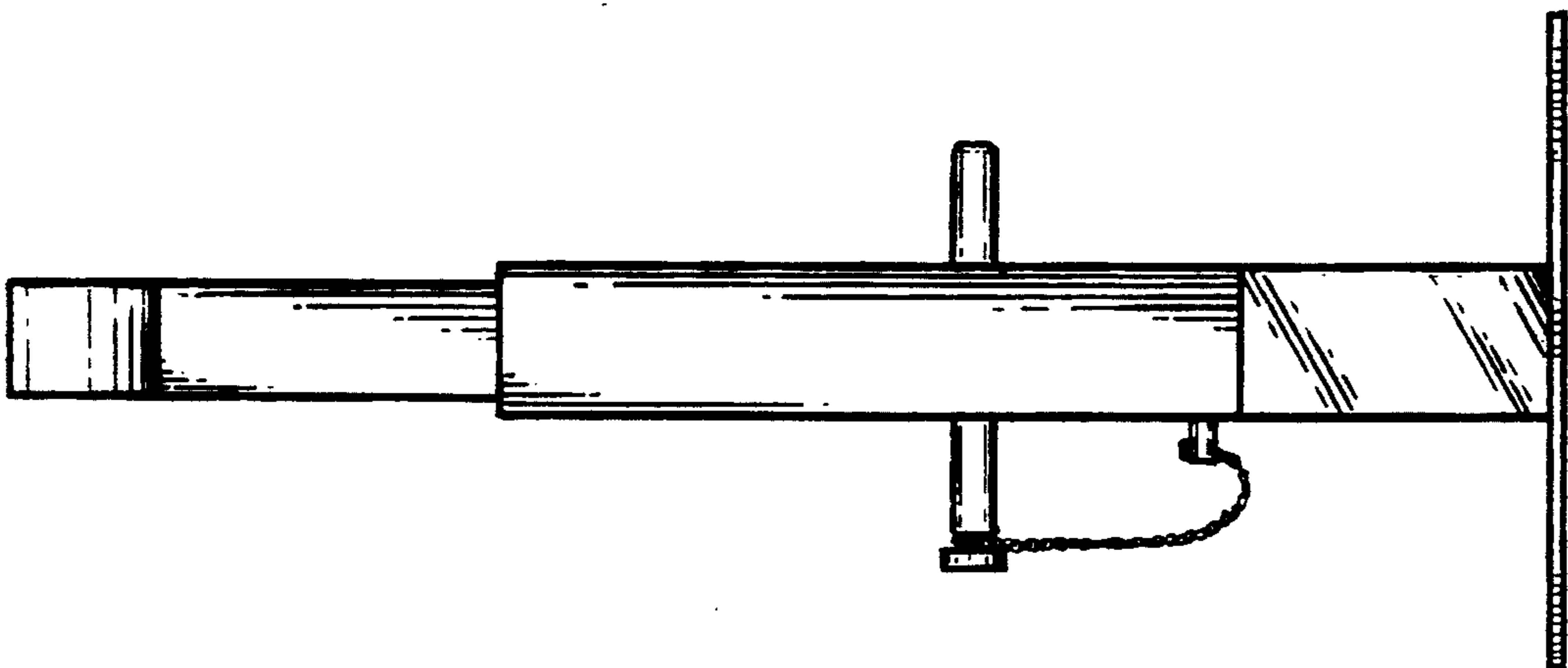


FIG. 4

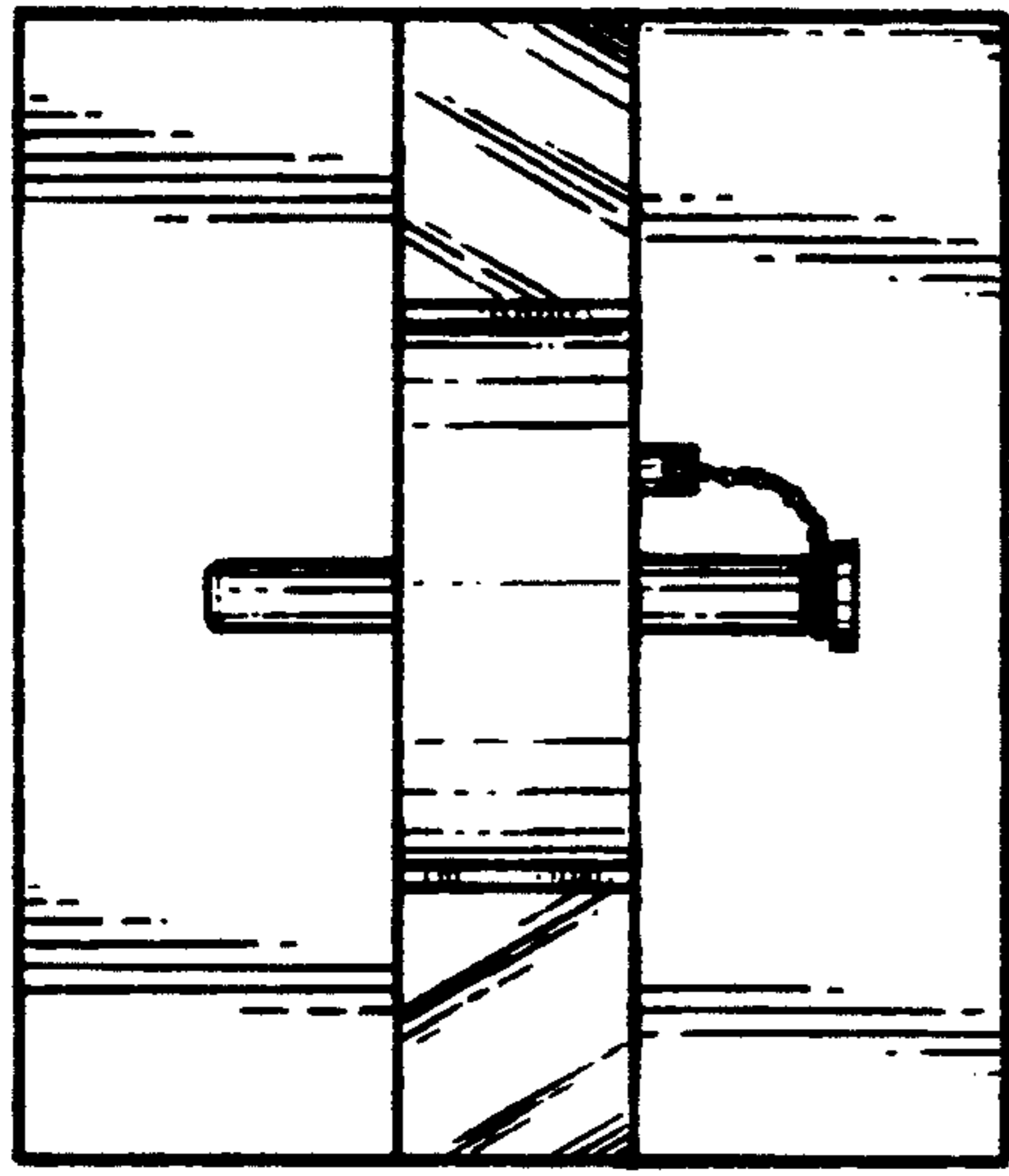


FIG. 5

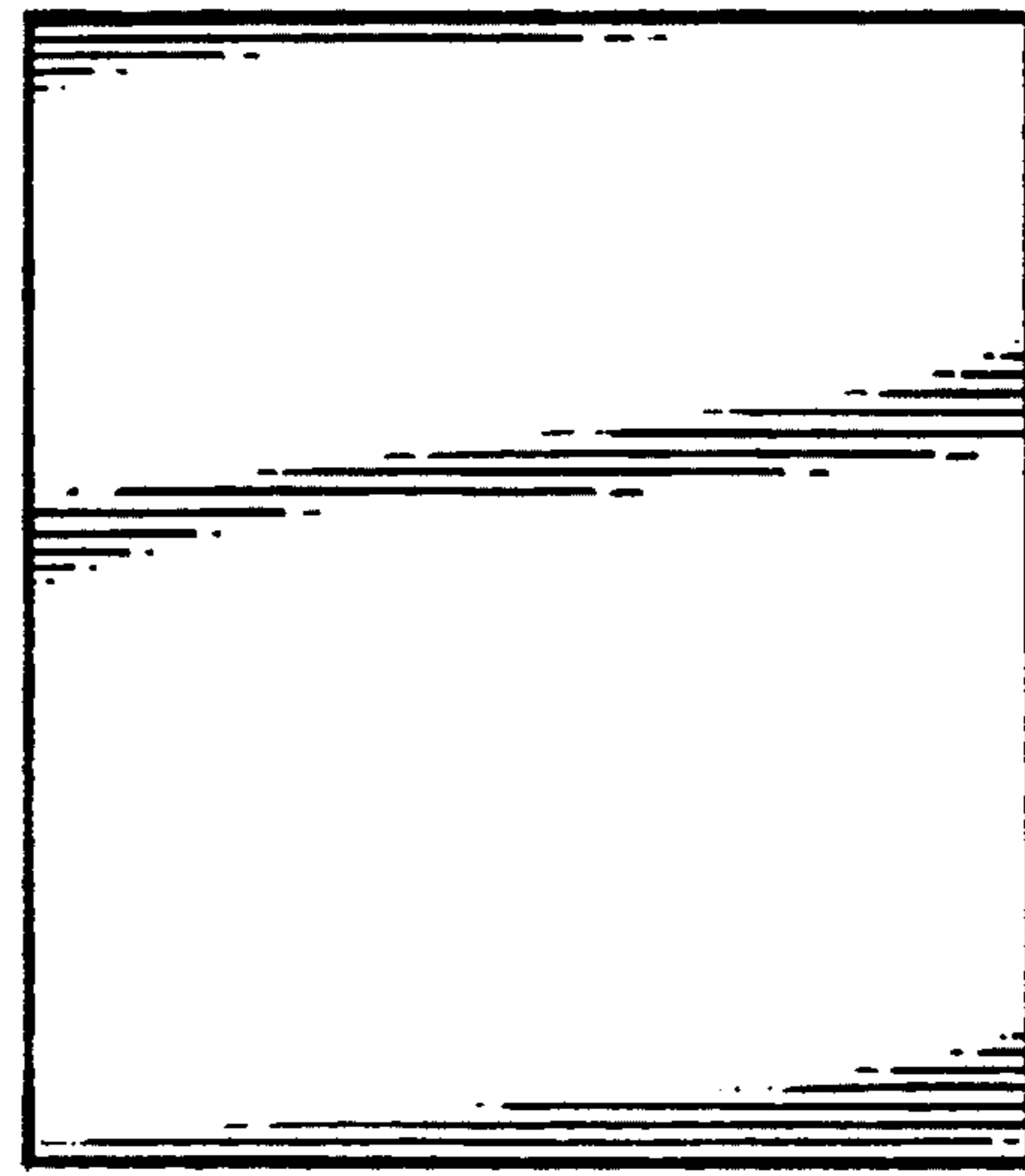


FIG. 6