



US00D350886S

United States Patent [19]

[11] Patent Number: **Des. 350,886**

Huber et al.

[45] Date of Patent: **** Sep. 27, 1994**

[54] **RANDOM ORBITAL SANDER**

[75] Inventors: **Paul W. Huber**, Lancaster; **David G. Heckmiller, Jr.**, Orchard Park, both of N.Y.

[73] Assignee: **Dynabrade, Inc.**, Clarence, N.Y.

[**] Term: **14 Years**

[21] Appl. No.: **15,408**

[22] Filed: **Nov. 15, 1993**

Related U.S. Application Data

[62] Division of Ser. No. 126, Oct. 6, 1992.

[52] U.S. Cl. **D8/62**

[58] Field of Search **D8/61, 62; 51/170, 170 R, 51/170 TL, 170 T, 170 MT**

References Cited

U.S. PATENT DOCUMENTS

D. 326,398	5/1992	Fushiya et al.	D8/62
D. 332,558	1/1993	Hoshino et al.	D8/62
D. 334,126	3/1993	Huber et al.	D8/62
4,531,329	7/1985	Huber	51/273

Primary Examiner—Alan P. Douglas

Assistant Examiner—J. H. Musgrove

Attorney, Agent, or Firm—Bean, Kauffman & Spencer

[57] **CLAIM**

The ornamental design for a random orbital sander, as shown and described.

DESCRIPTION

FIG. 1 is a side elevational view of a random orbital sander showing our new design;

FIG. 2 is an opposite side elevational view thereof;

FIG. 3 is a front elevational view thereof;

FIG. 4 is a rear elevational view thereof;

FIG. 5 is a top plan view thereof;

FIG. 6 is a bottom plan view thereof;

FIG. 7 is a side elevational view of a second alternative form thereof;

FIG. 8 is an opposite side elevational view thereof;

FIG. 9 is a front elevational view thereof;

FIG. 10 is a rear elevational view thereof;

FIG. 11 is a top plan view thereof; and,

FIG. 12 is a bottom plan view thereof.

The broken line disclosure of FIG. 1, which shows a conventional sanding pad adapted to be removably mounted on the sander, is for illustrative purposes only and forms no part of the claimed invention.

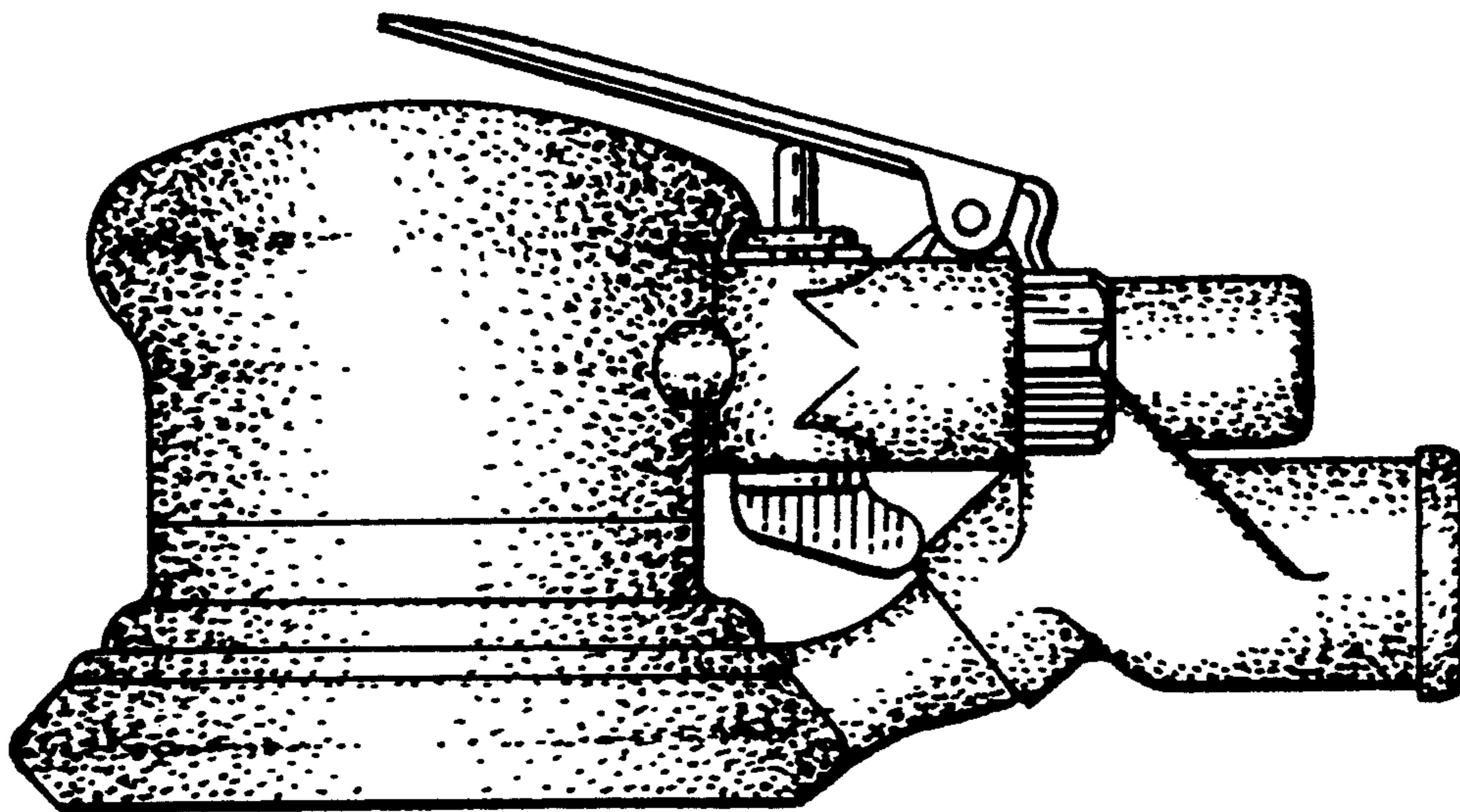


Fig. 1

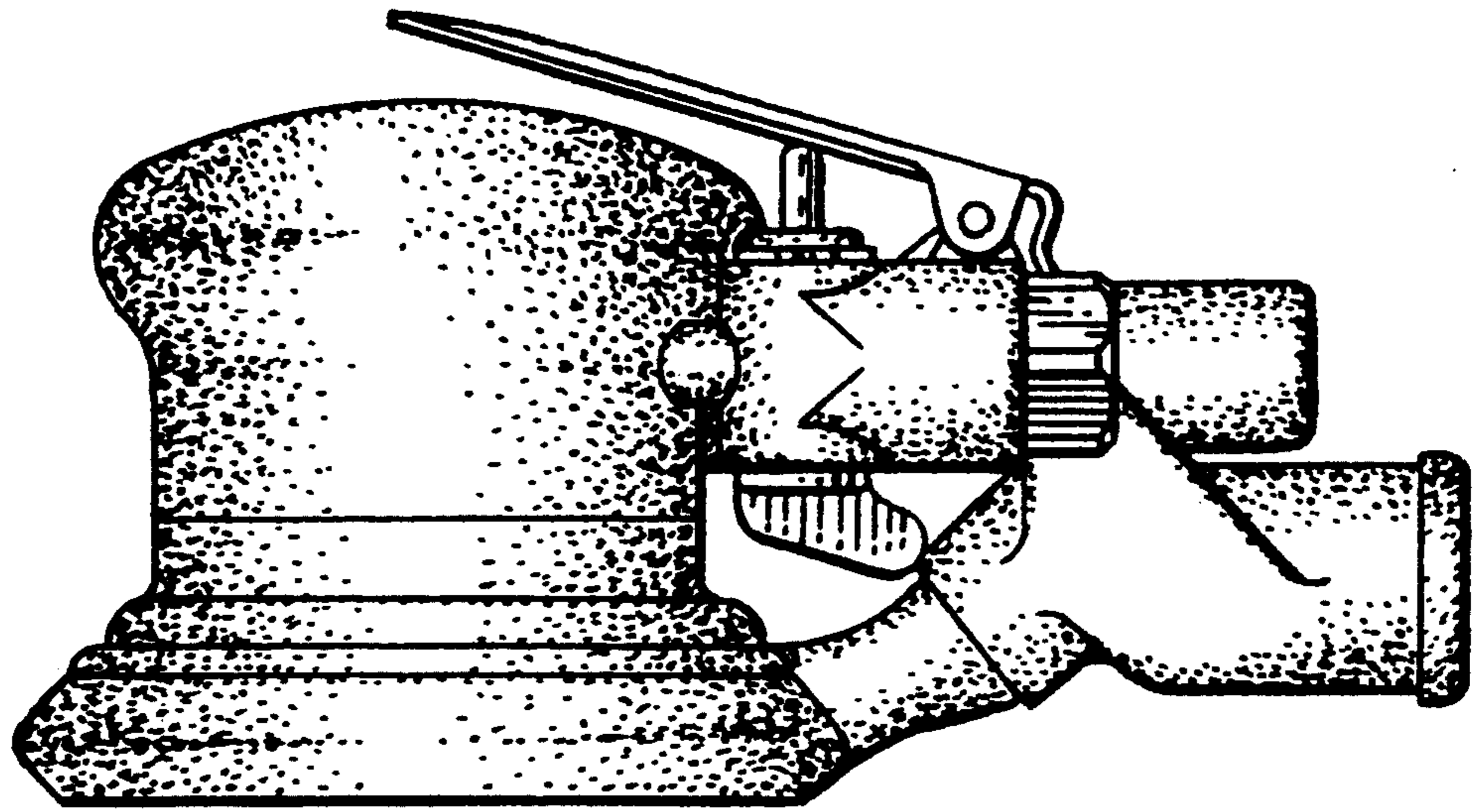


Fig. 2

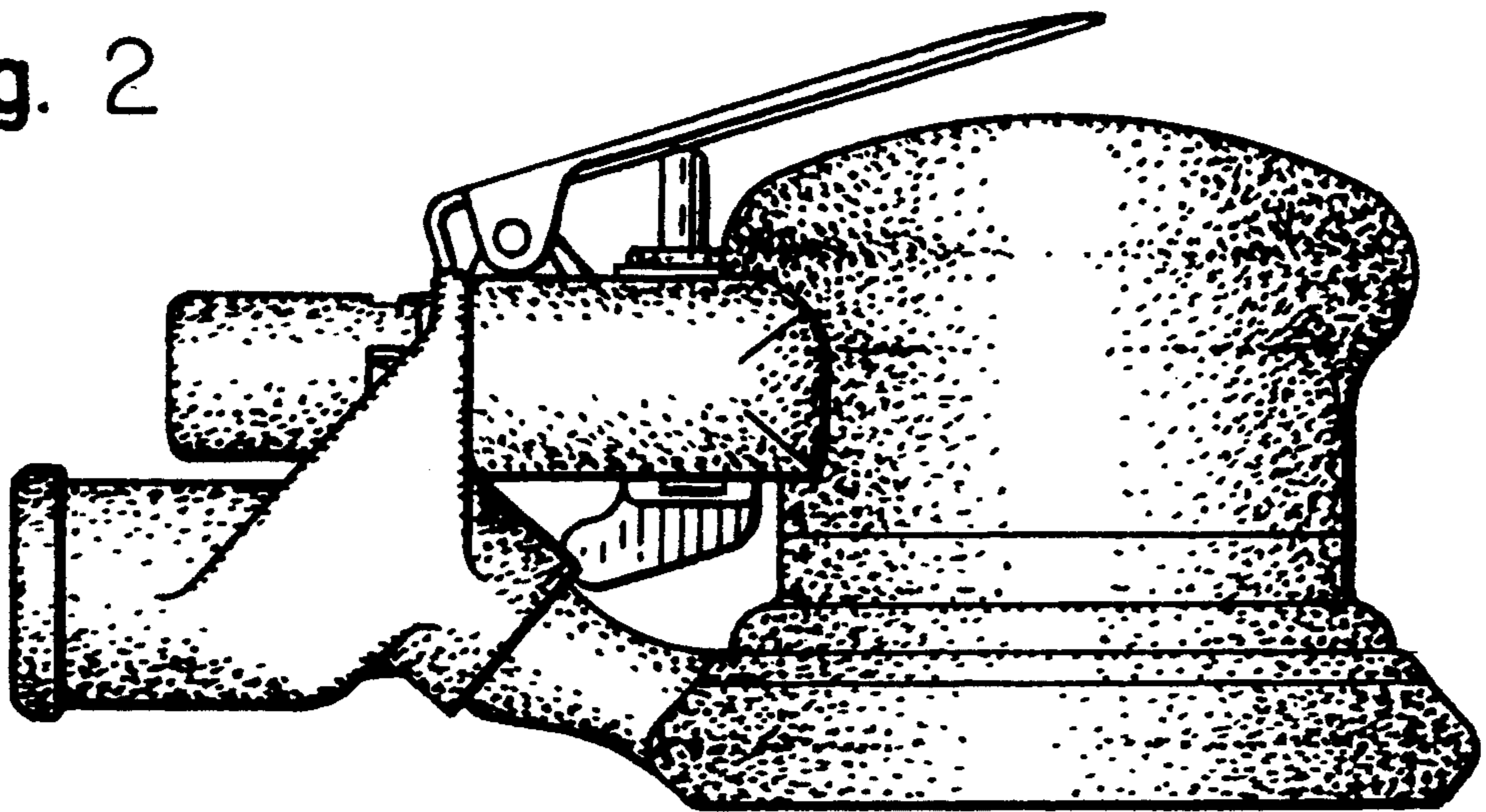


Fig. 3

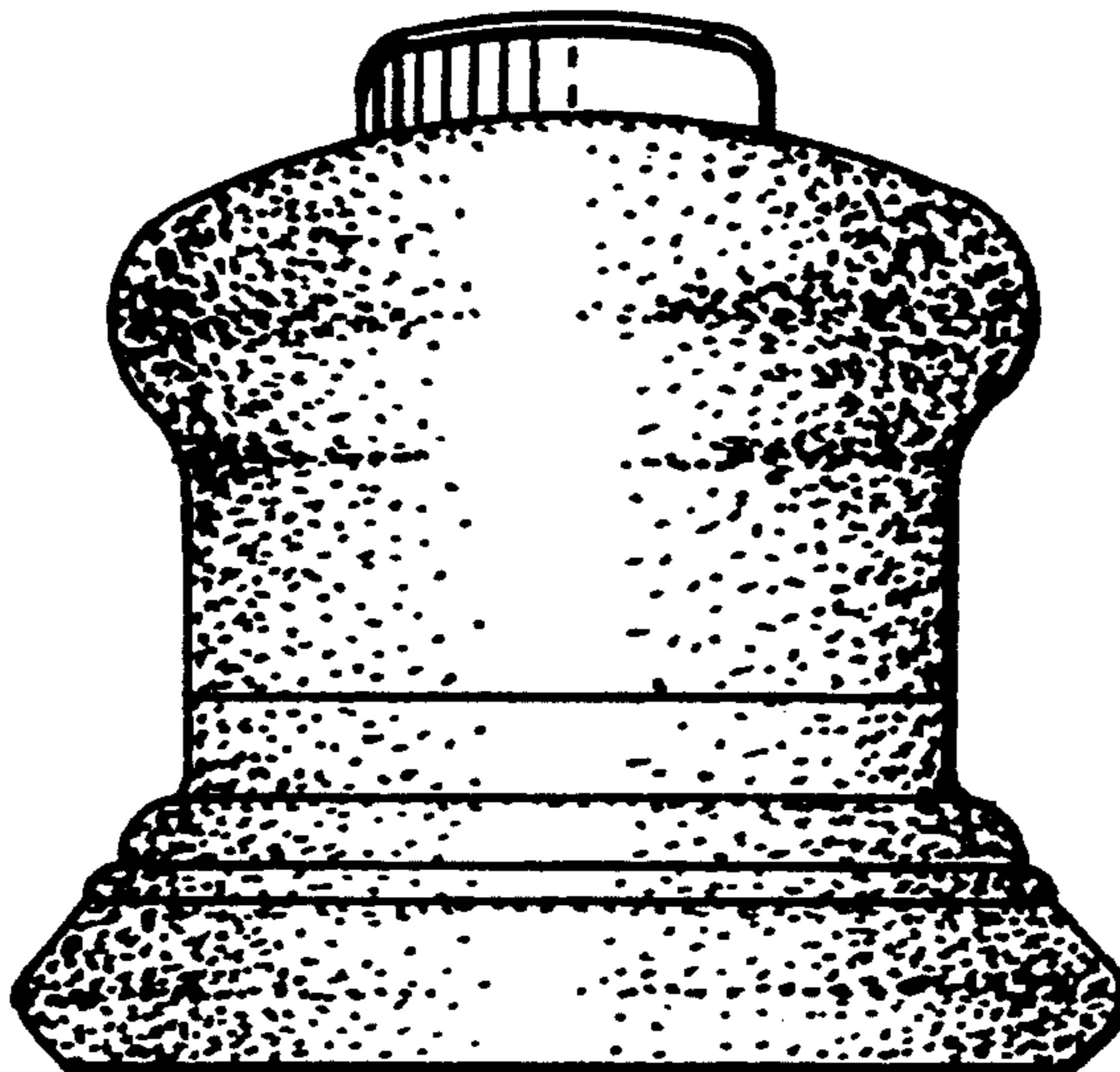


Fig. 4

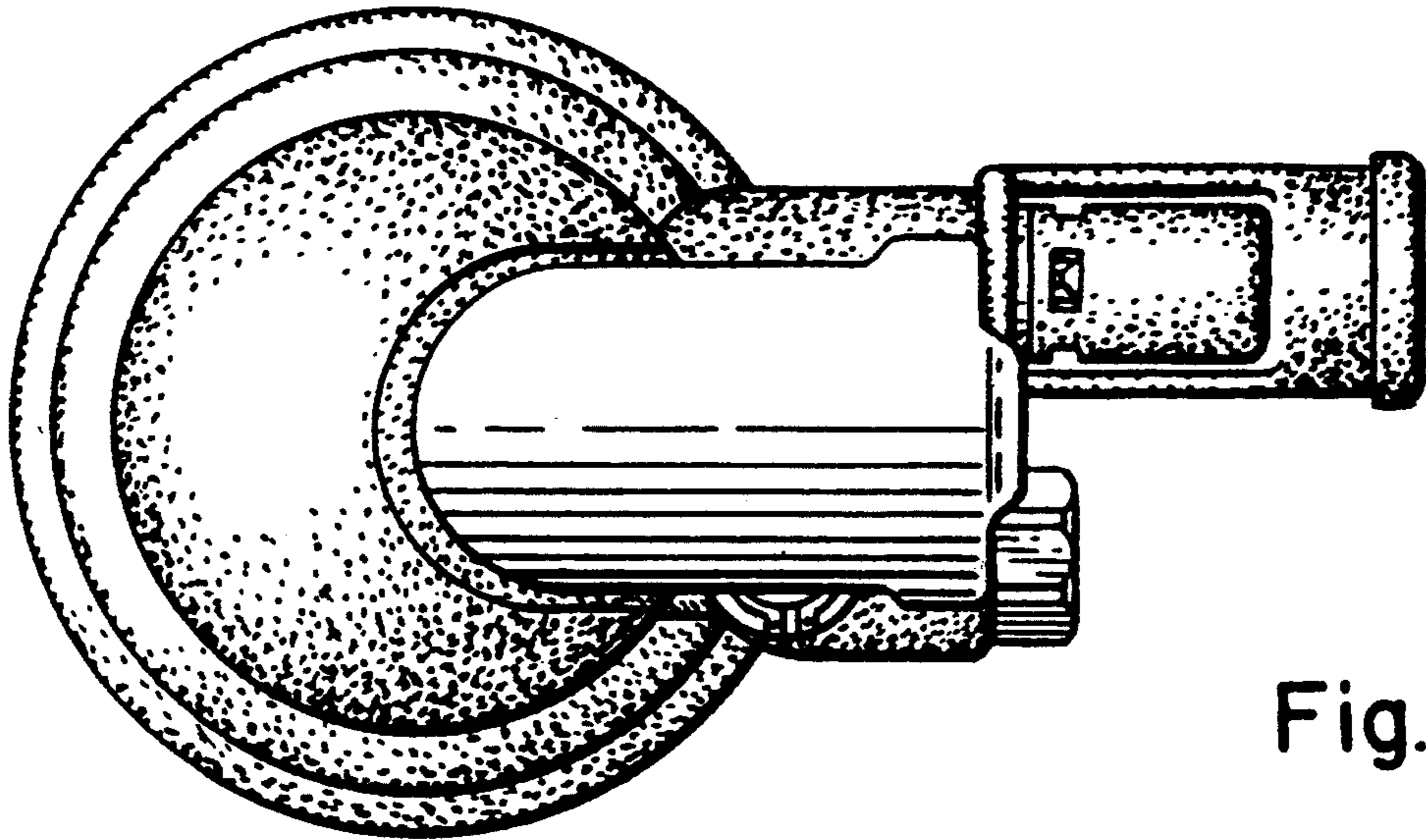
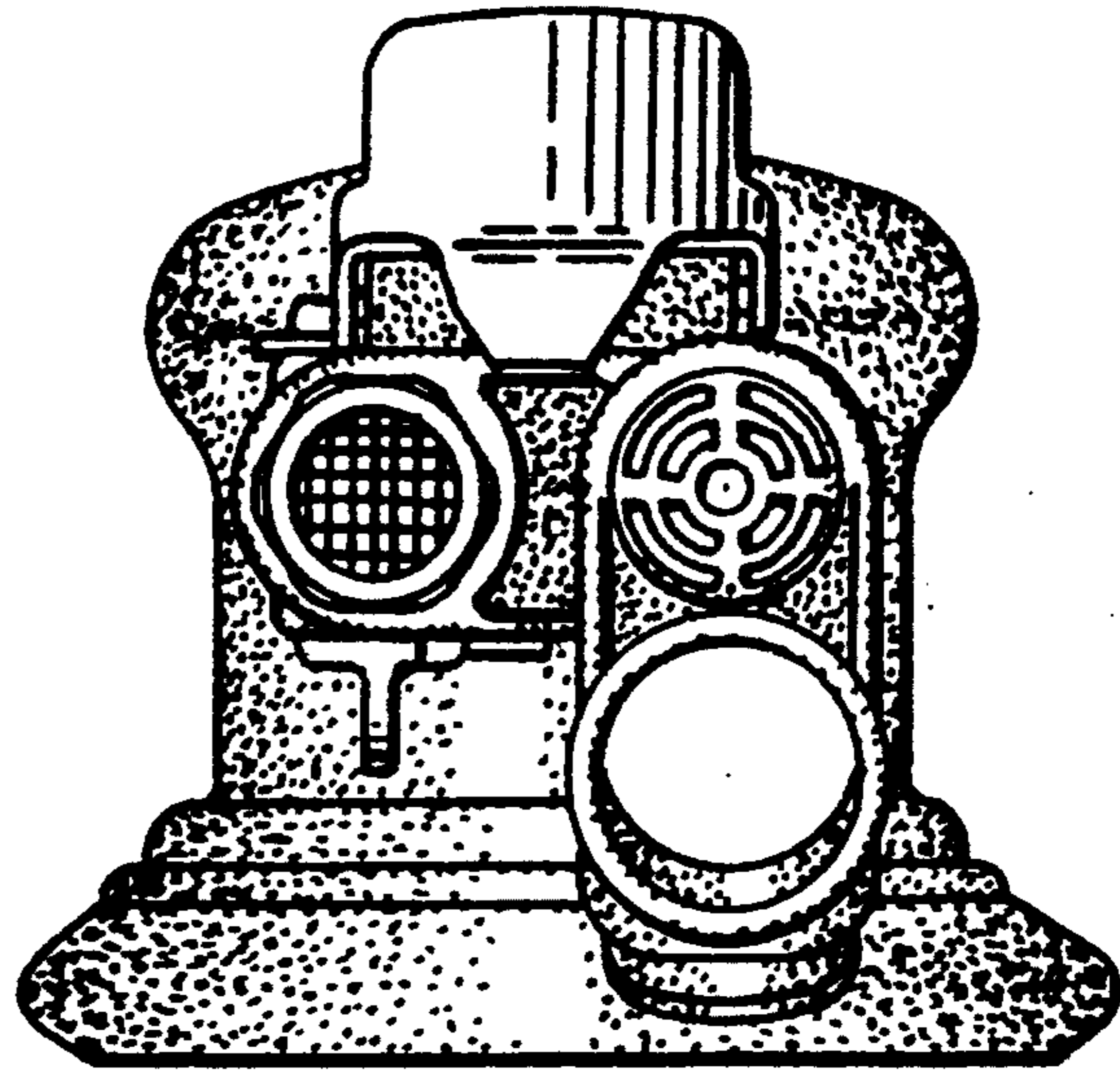


Fig. 5

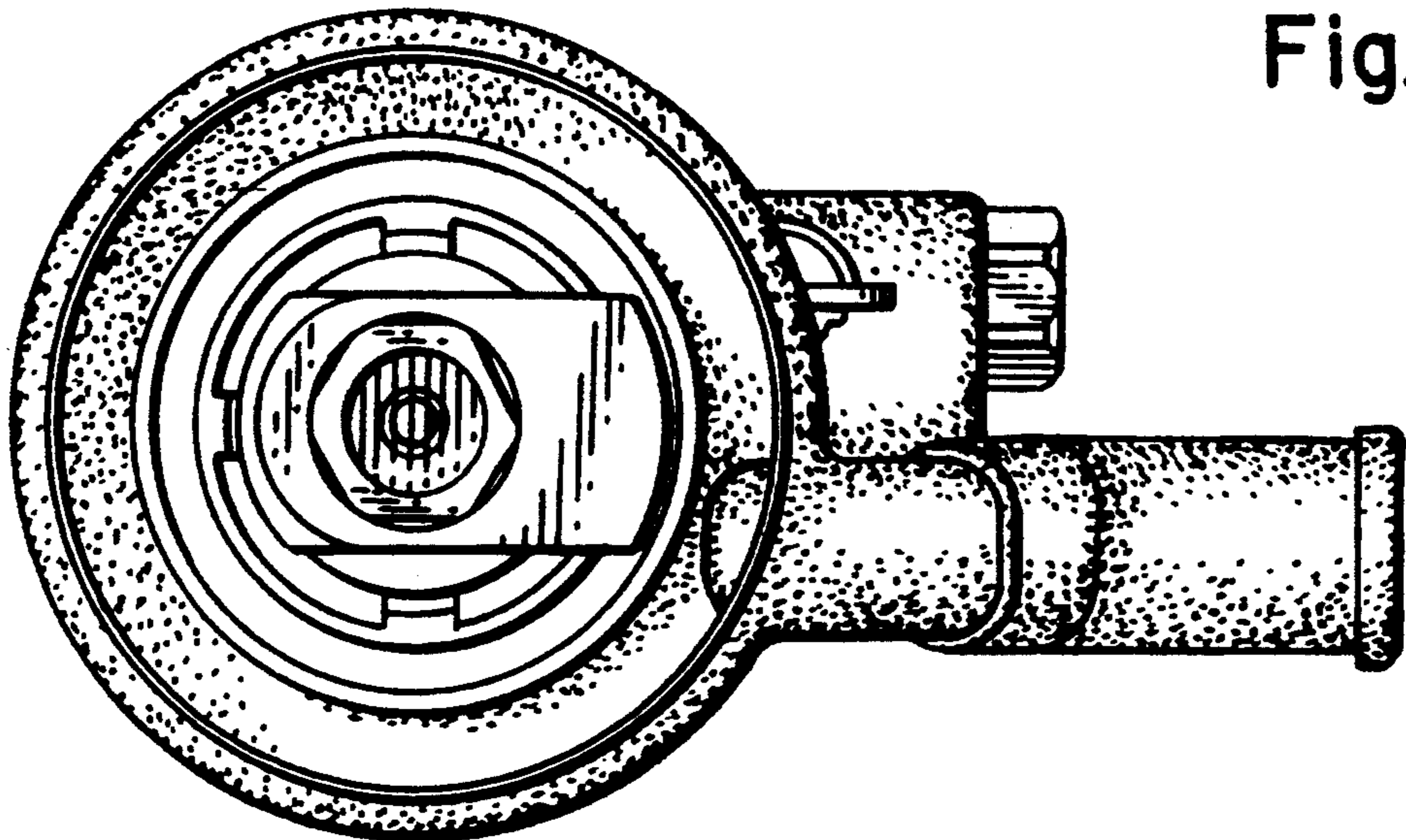


Fig. 6

Fig. 7

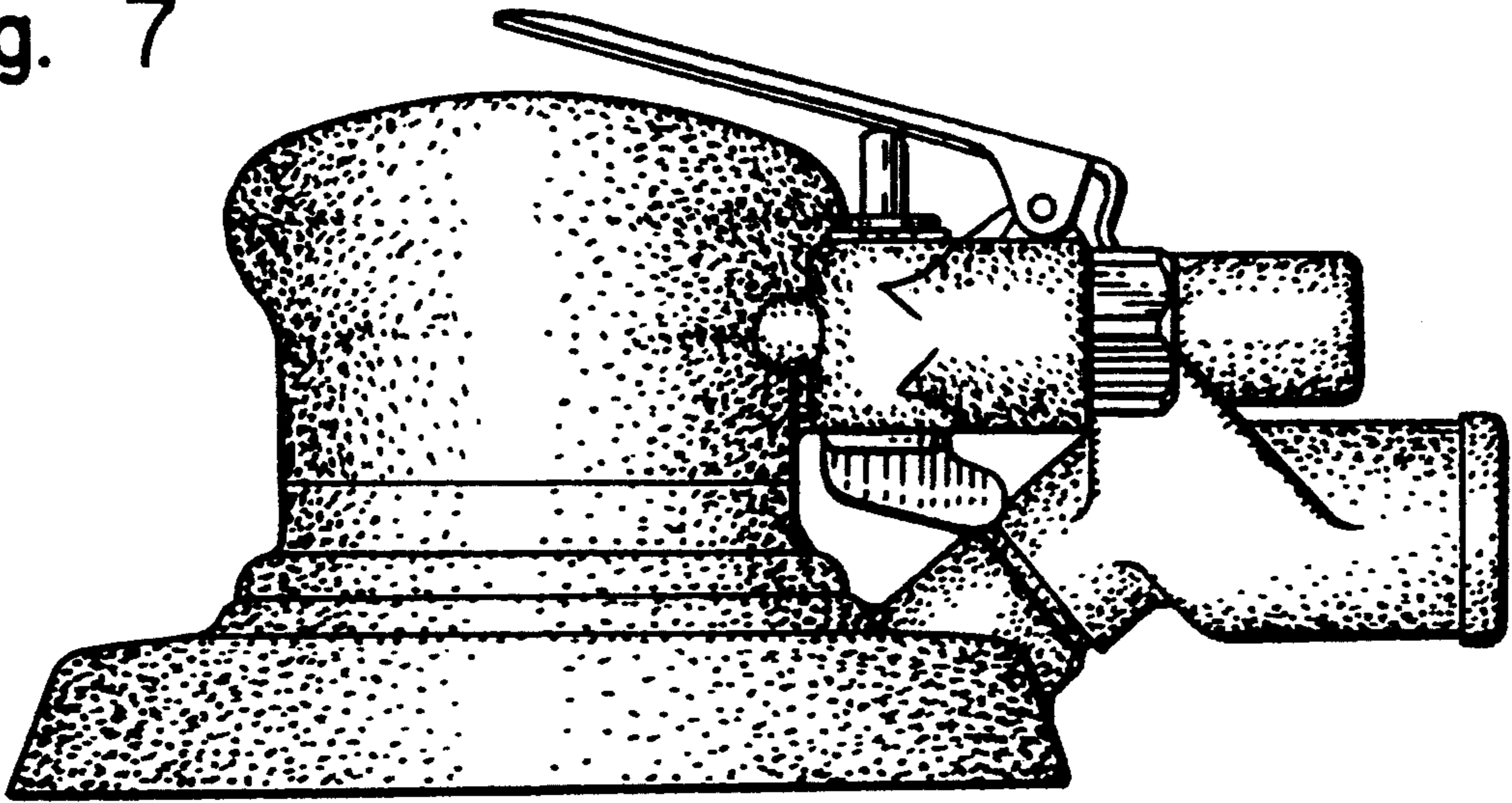


Fig. 8

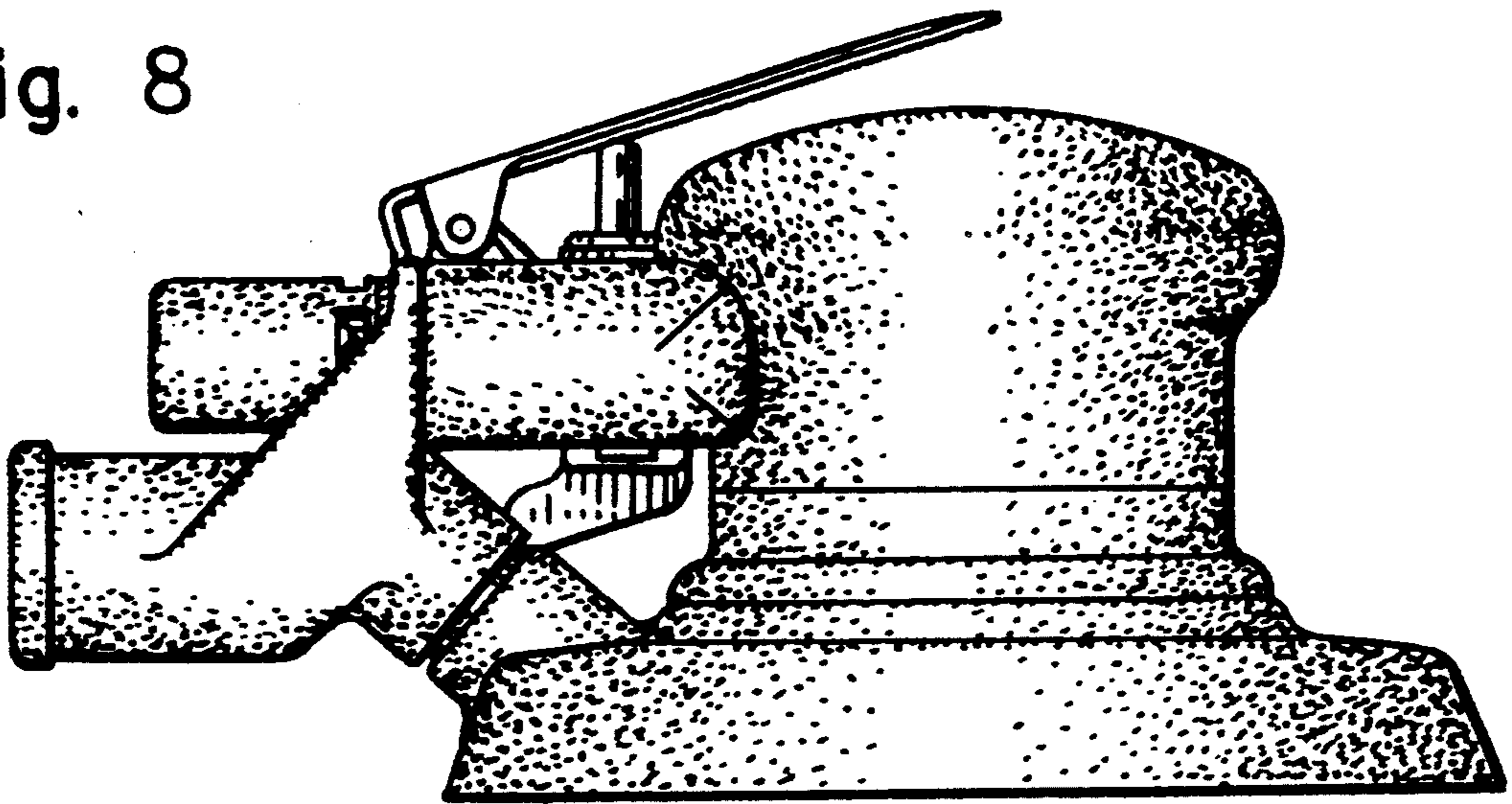


Fig. 9

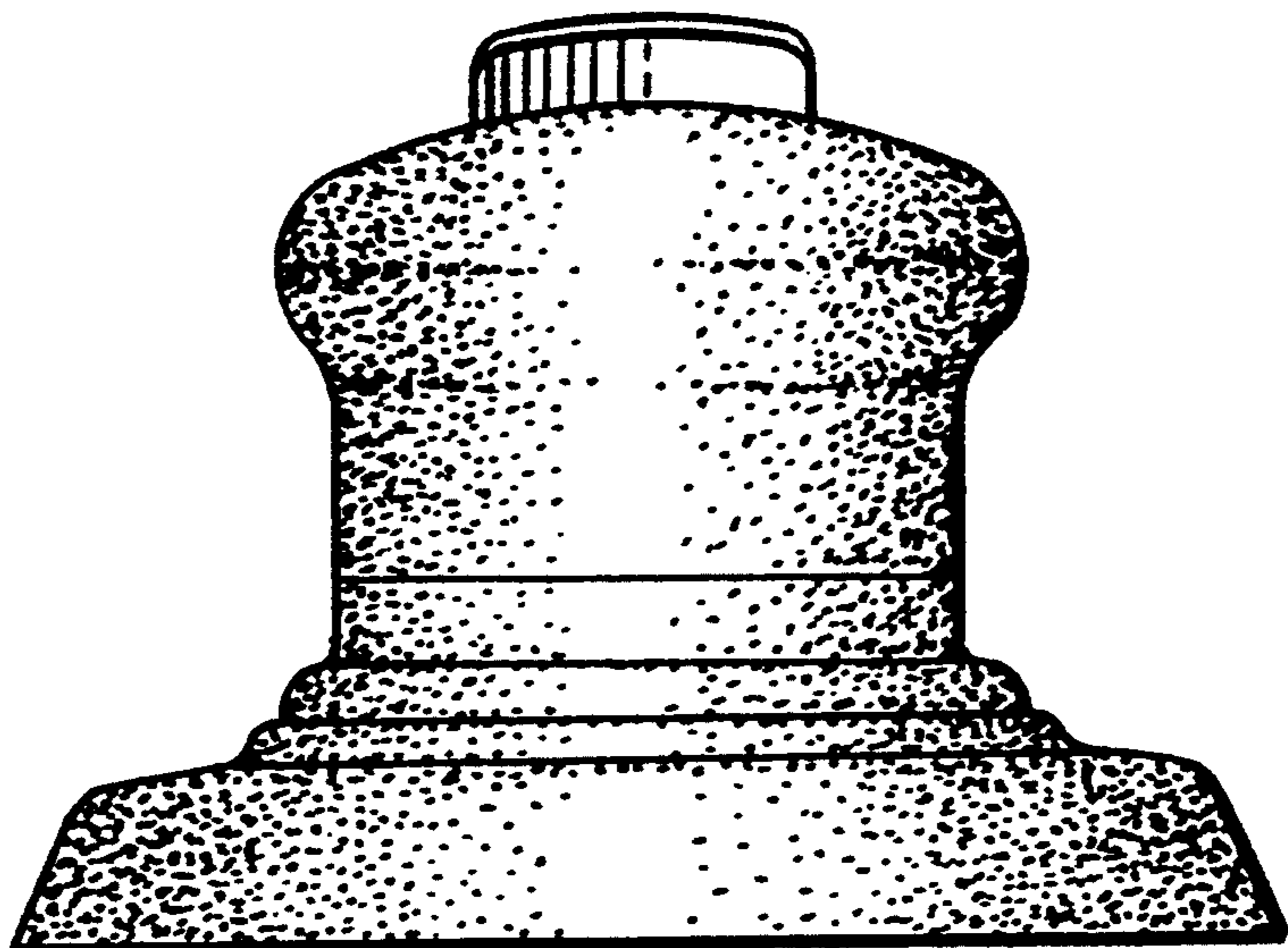


Fig. 10

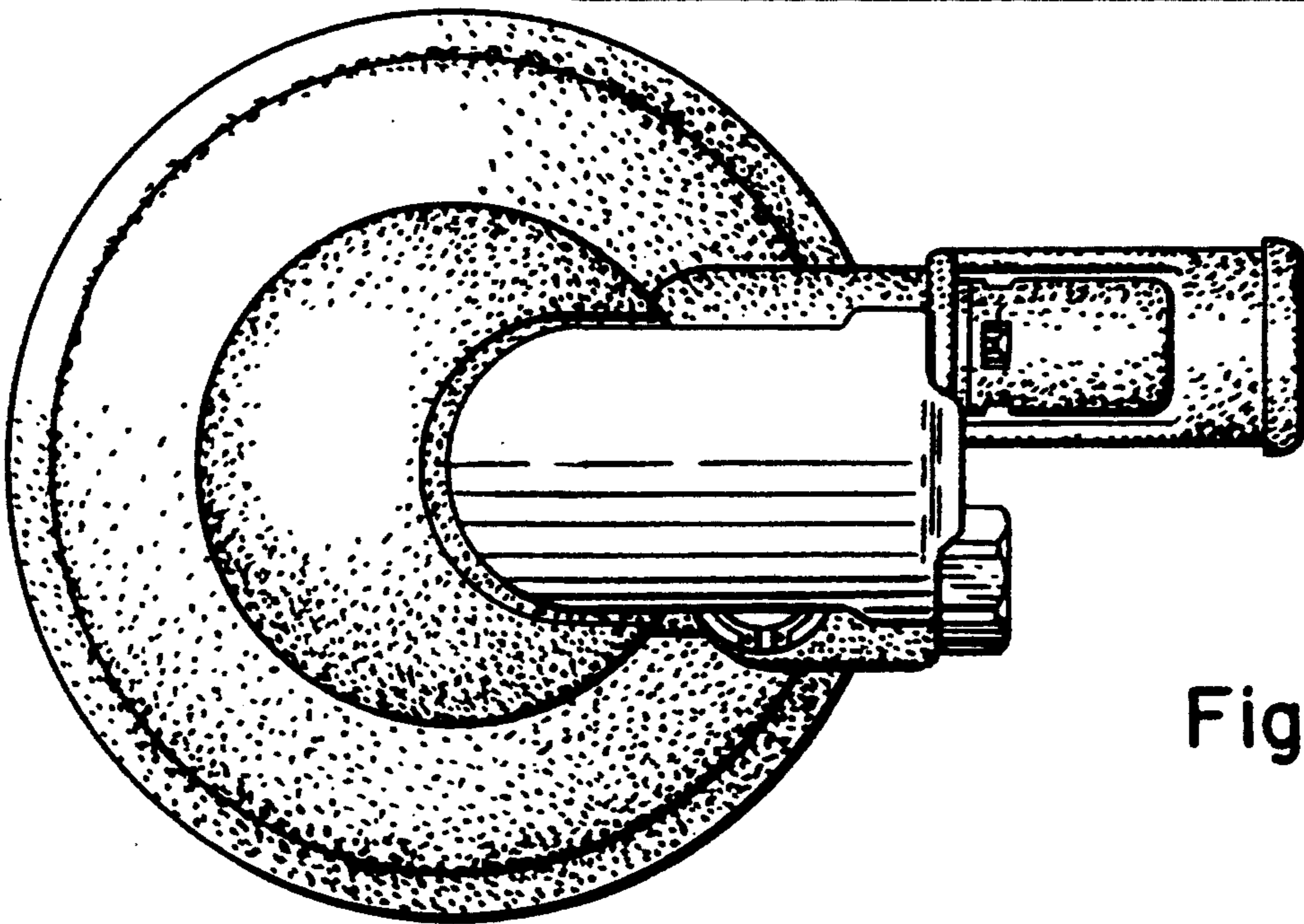
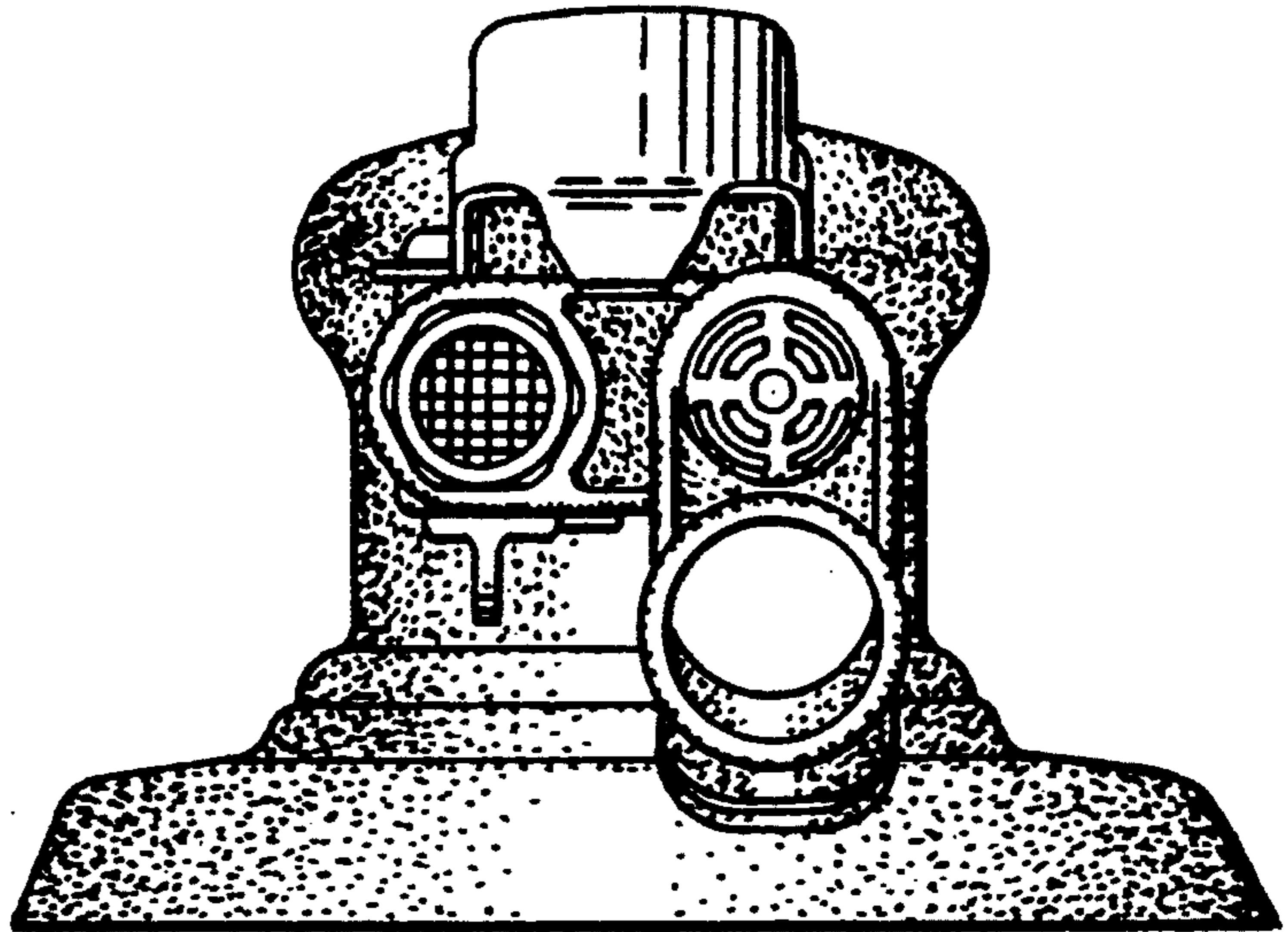


Fig. 11

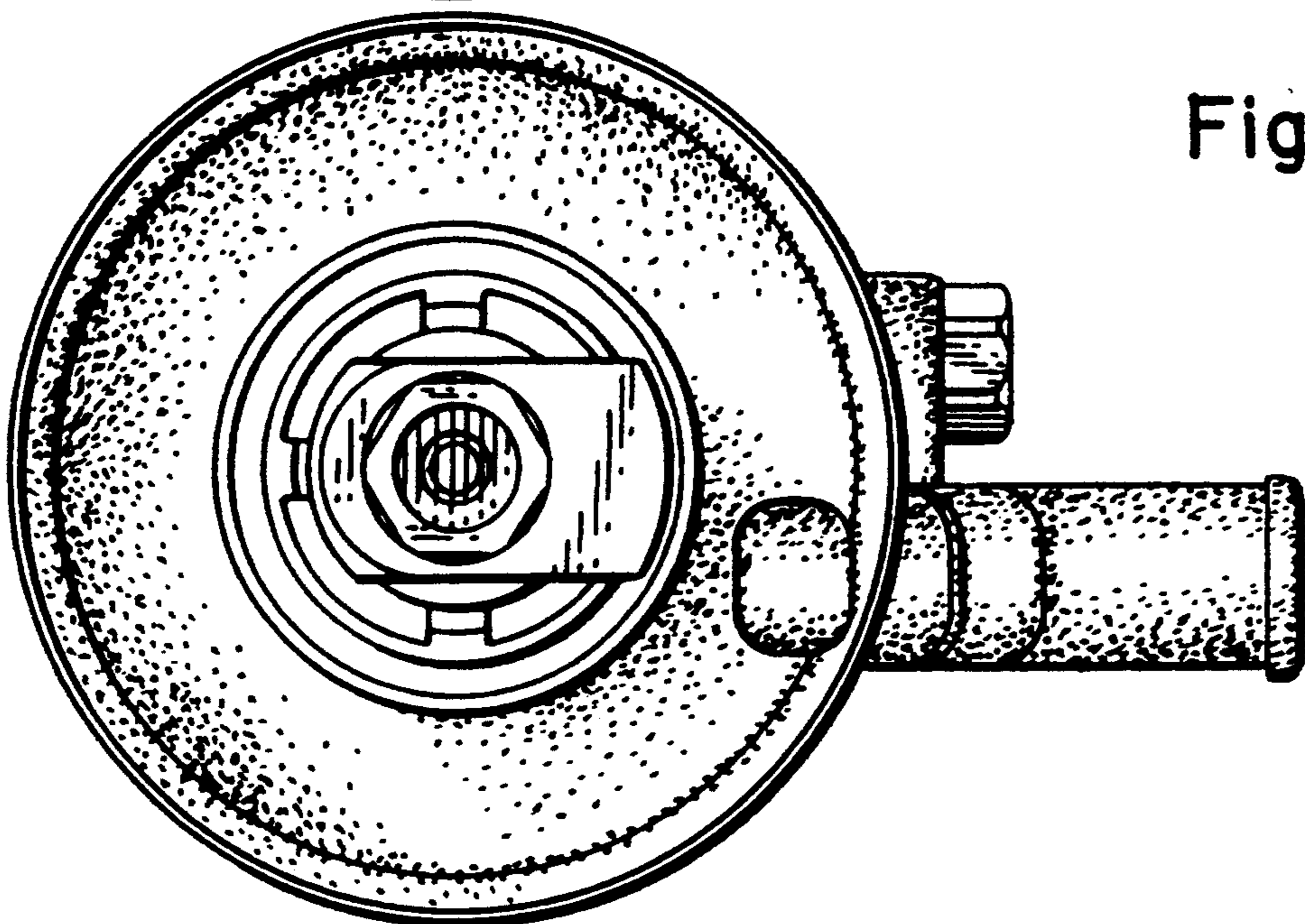


Fig. 12