



US00D350884S

# United States Patent [19]

[11] Patent Number: **Des. 350,884**

Sperling et al.

[45] Date of Patent: **\*\* Sep. 27, 1994**

[54] **COMBINED CUTTING AND WELDING TORCH HANDLE**

[56] **References Cited**

[75] Inventors: **Hermann Sperling,**  
**Gau-Bischofsheim; Axel Bode,**  
**Ortenberg, both of Fed. Rep. of**  
**Germany**

### U.S. PATENT DOCUMENTS

D. 260,846 9/1981 Summers et al. .... D8/30  
D. 261,476 10/1981 O'Donnell et al. .... D8/30  
D. 302,097 7/1989 Spaulding et al. .... D8/30  
D. 317,704 6/1991 Zaborowski et al. .... D8/30  
D. 343,629 6/1994 Bode ..... D8/30

[73] Assignee: **Alexander Binzel GmbH & Co. KG,**  
**Fed. Rep. of Germany**

*Primary Examiner*—Alan P. Douglas  
*Assistant Examiner*—Jeffrey H. Musgrove  
*Attorney, Agent, or Firm*—Price, Heneveld, Cooper,  
DeWitt & Litton

[\*\*] Term: **14 Years**

### [57] CLAIM

[21] Appl. No.: **12,797**

The ornamental design for a combined cutting and welding torch handle, as shown in FIGS. 1-7 and described.

[22] Filed: **Sep. 10, 1993**

### DESCRIPTION

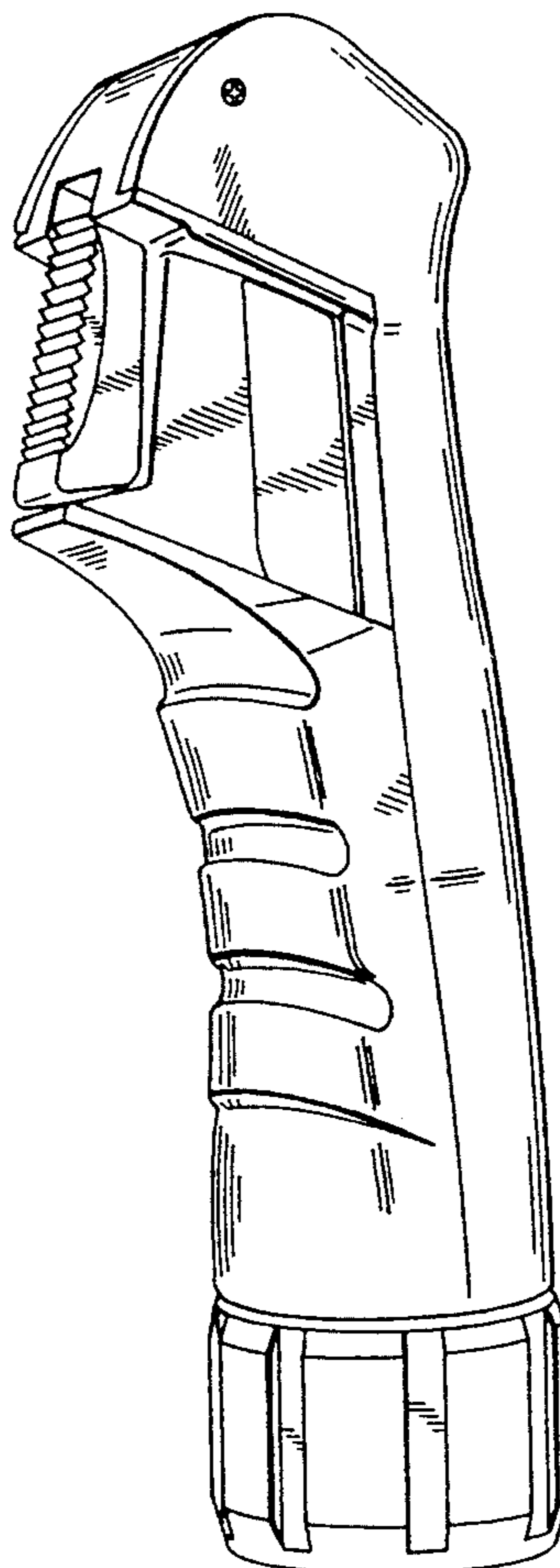
[30] **Foreign Application Priority Data**

Mar. 18, 1993 [DE] Fed. Rep. of  
Germany ..... M9302169.0

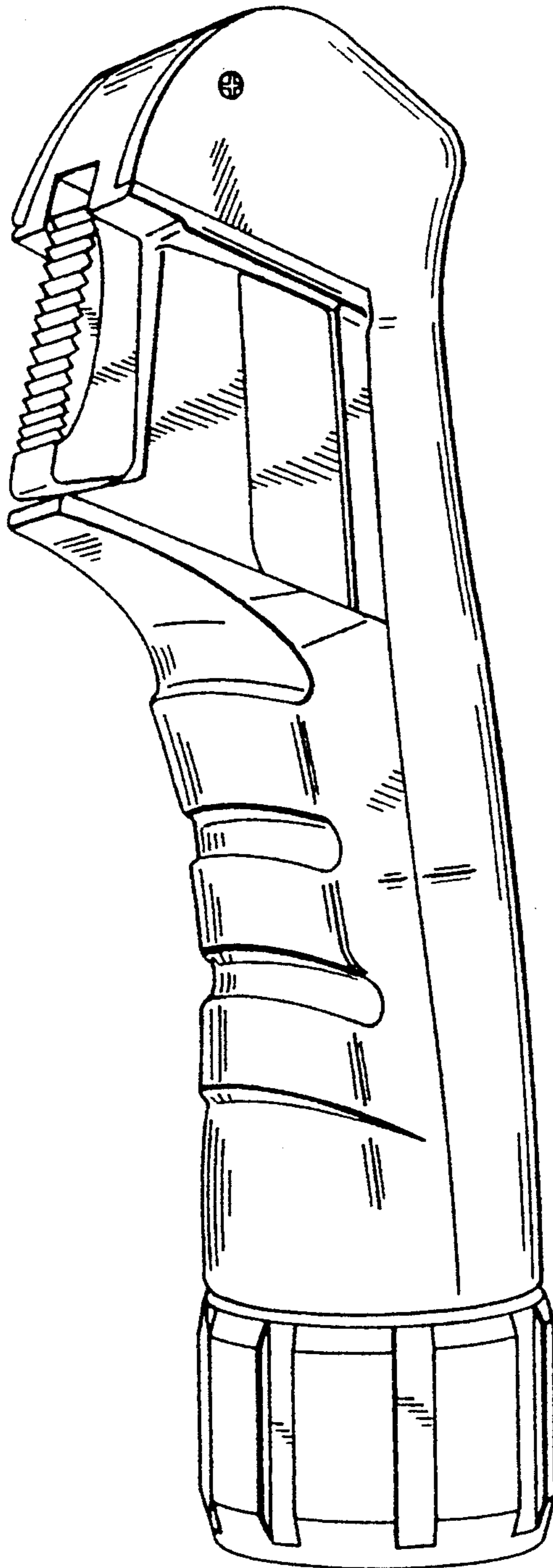
[52] U.S. Cl. .... **D8/30**

[58] Field of Search ..... D8/30, 29.1;  
219/137.31, 137.41, 137.42, 137.43, 137.44,  
137.51, 137.52, 137.61, 137.63; 222/173, 195;  
D15/144

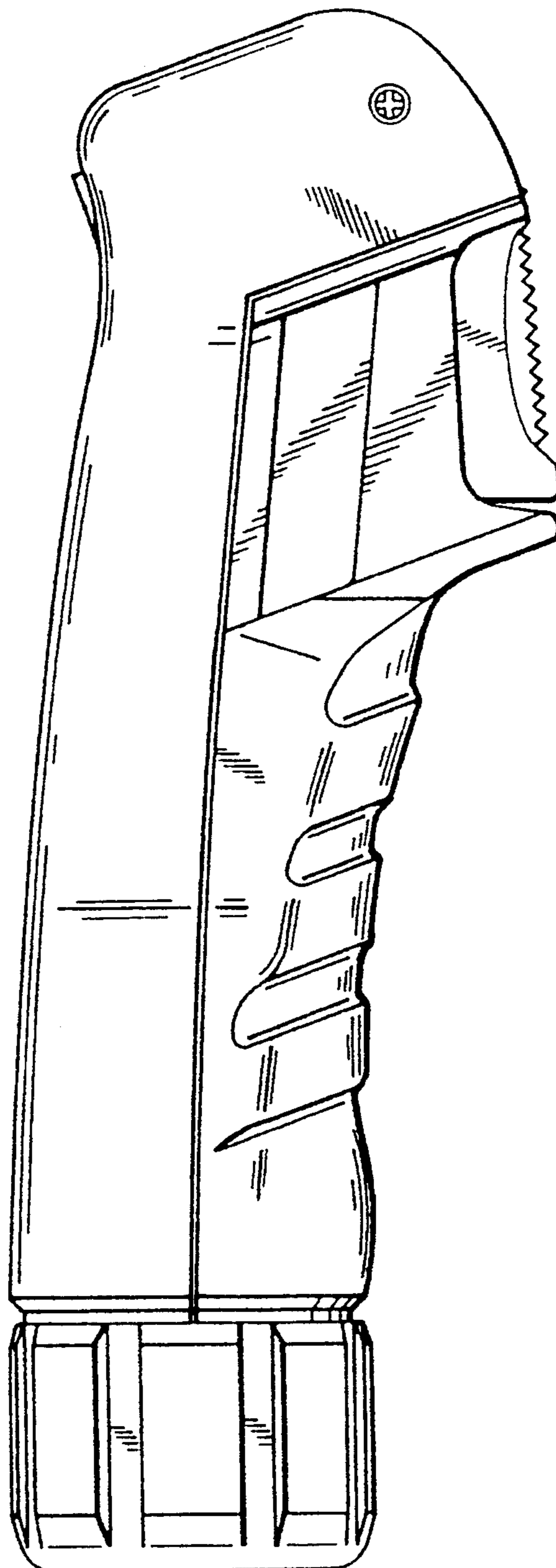
FIG. 1 is a perspective view of the handle design of the present invention;  
FIG. 2 is a side elevation view thereof;  
FIG. 3 is the opposing side elevation view thereof;  
FIG. 4 is a back elevation view thereof;  
FIG. 5 is a front elevation view thereof;  
FIG. 6 is a bottom plan view thereof; and,  
FIG. 7 is a top plan view thereof.



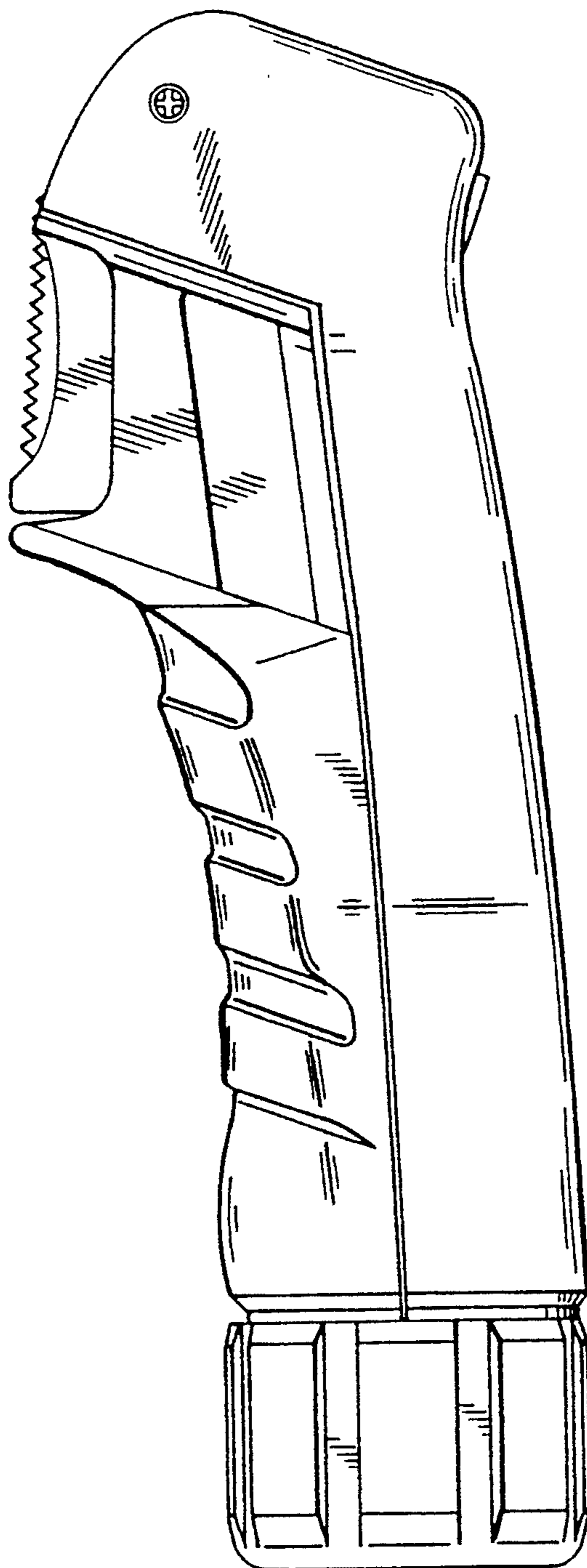
***Fig. 1***



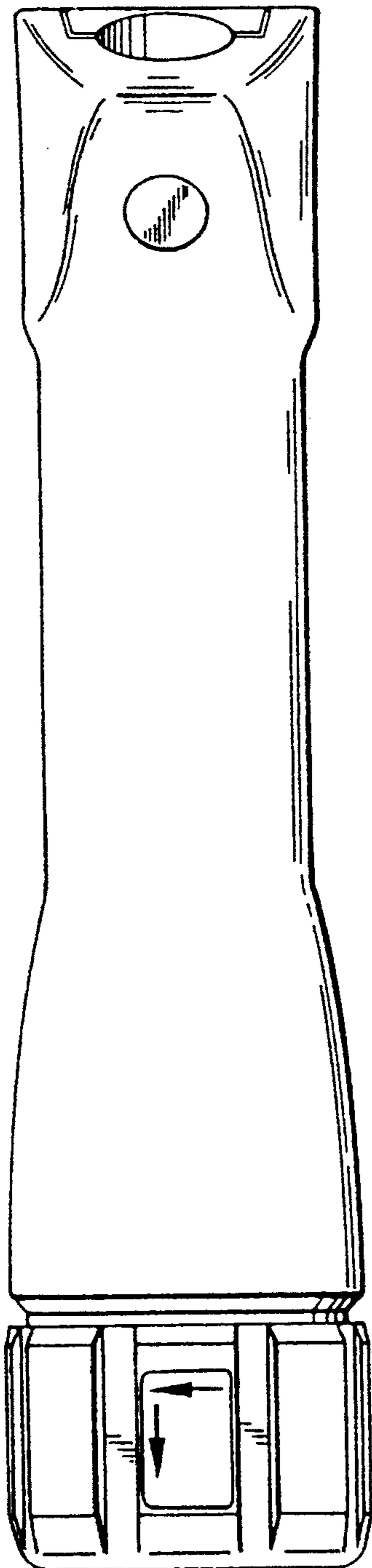
***Fig. 2***



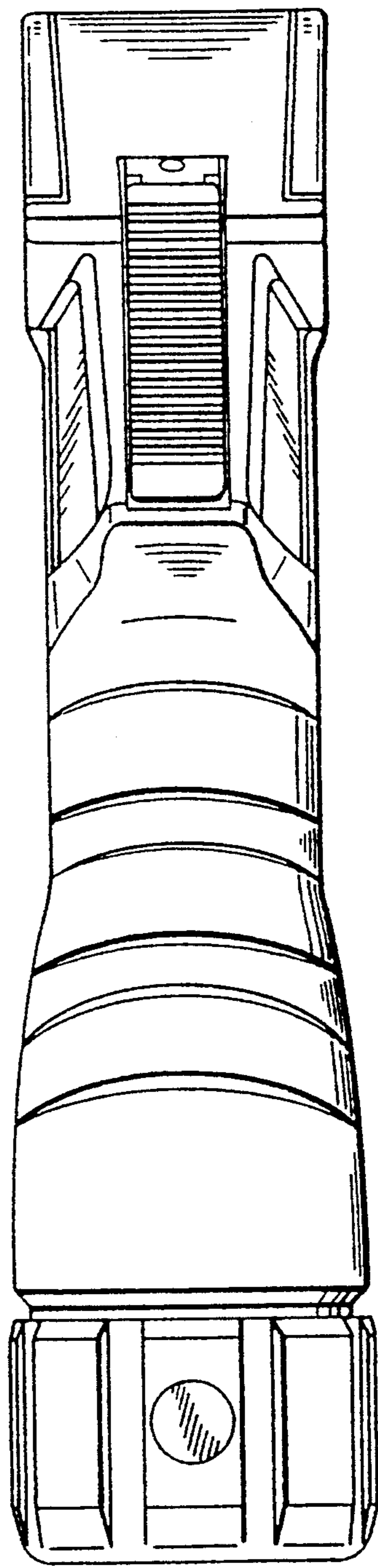
***Fig. 3***



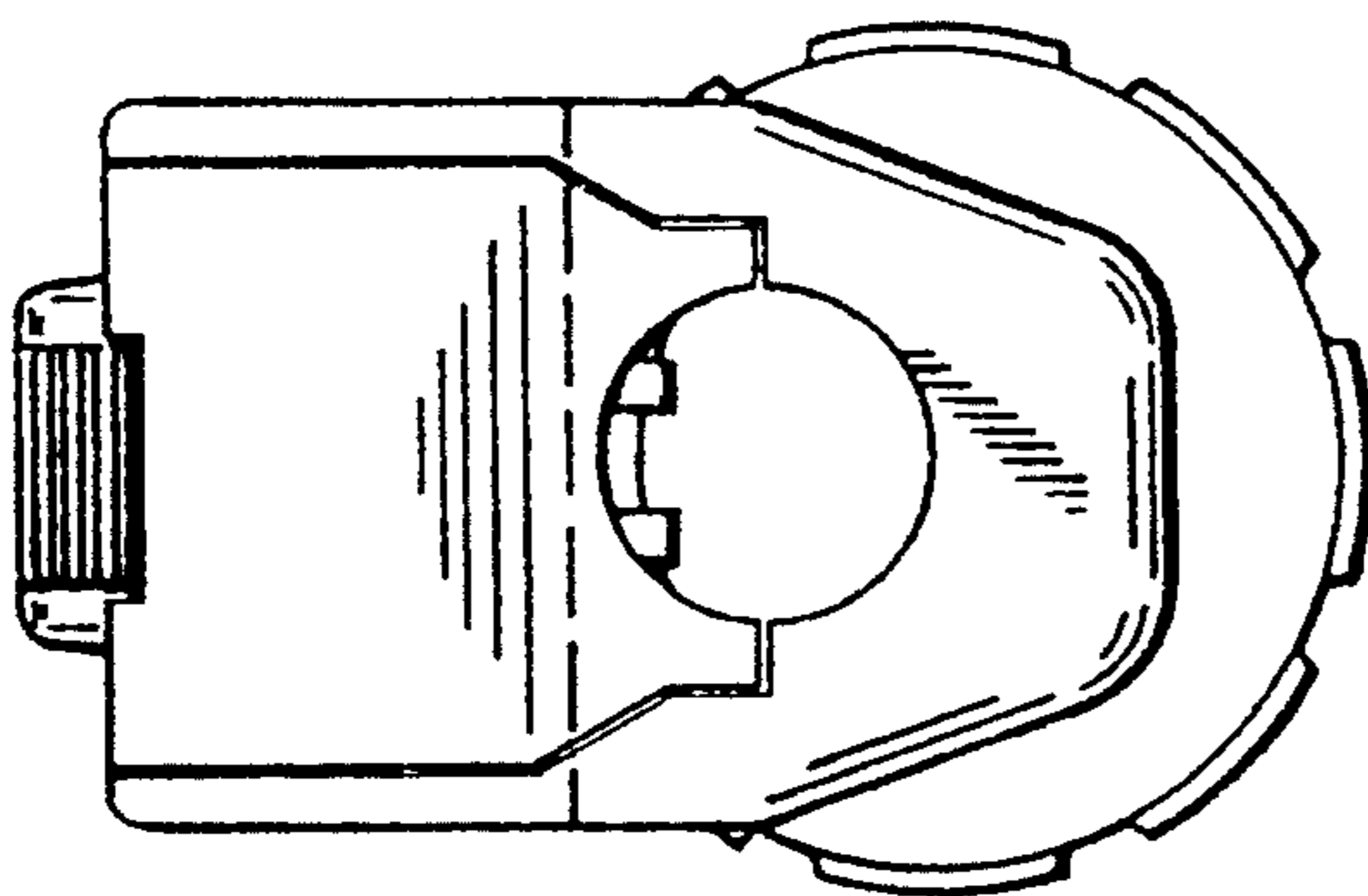
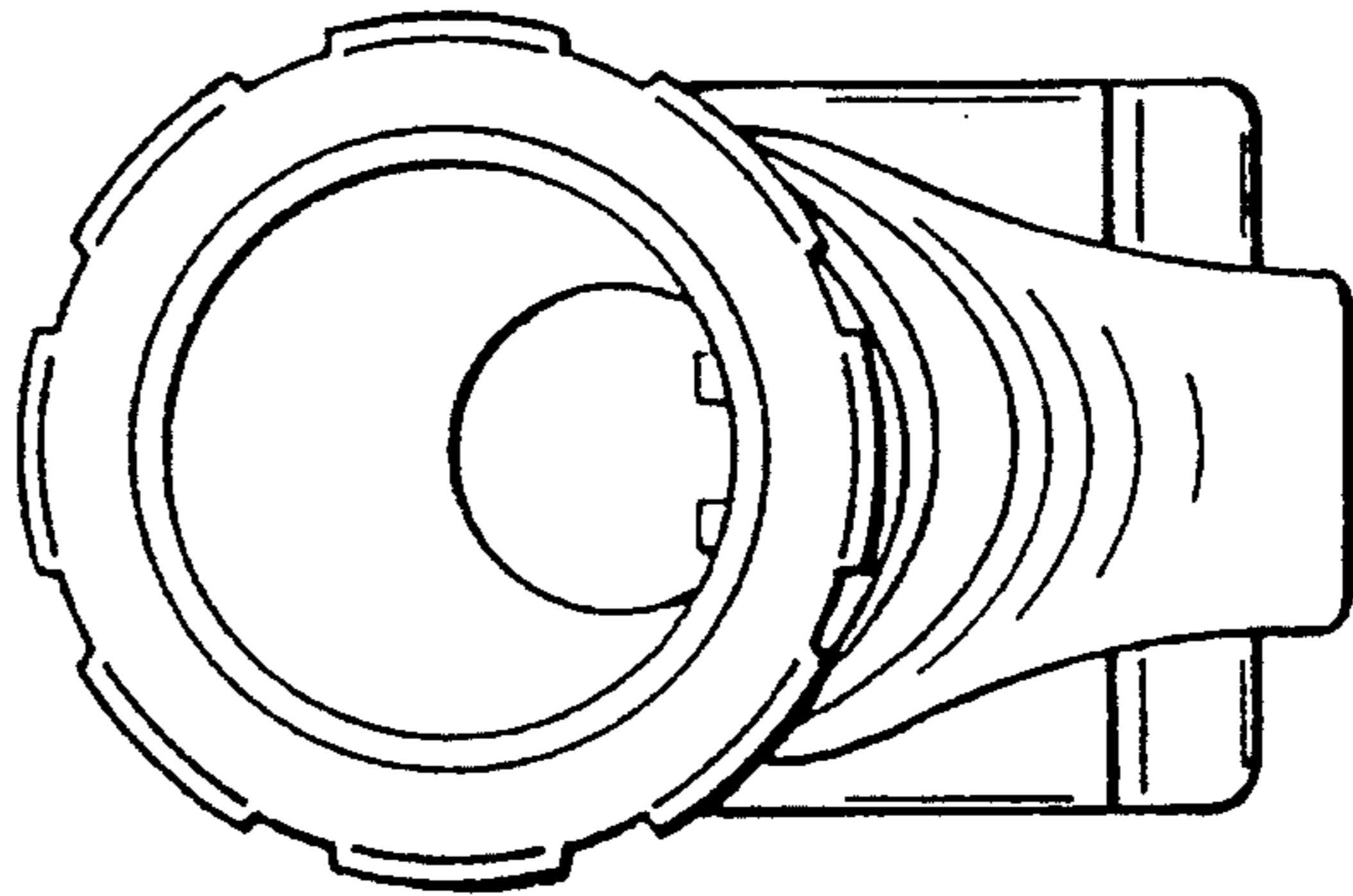
***Fig. 4***



***Fig. 5***



***Fig. 6***



***Fig. 7***