



US00D350883S

# United States Patent [19]

[11] Patent Number: **Des. 350,883**

**Heavrin**

[45] Date of Patent: **\*\* Sep. 27, 1994**

[54] **CARPET STRIPPER**

4,626,033 12/1986 Anderson ..... 299/37  
4,683,657 8/1987 Anderson et al. .... 299/37 X

[76] Inventor: **Patrick Heavrin**, 1575 Marionville Drive, Mississauga, Ontario, Canada, L5E 2Y4

*Primary Examiner*—Bernard Ansher  
*Assistant Examiner*—Richelle Shelton  
*Attorney, Agent, or Firm*—Barrigar & Moss

[\*\*] Term: **14 Years**

[21] Appl. No.: **7,257**

[57] **CLAIM**

[22] Filed: **Apr. 21, 1993**

The ornamental design for a carpet stripper, as shown and described.

[30] **Foreign Application Priority Data**

**DESCRIPTION**

Dec. 31, 1992 [CA] Canada ..... 31-12-92-2

[52] U.S. Cl. .... **D8/14**

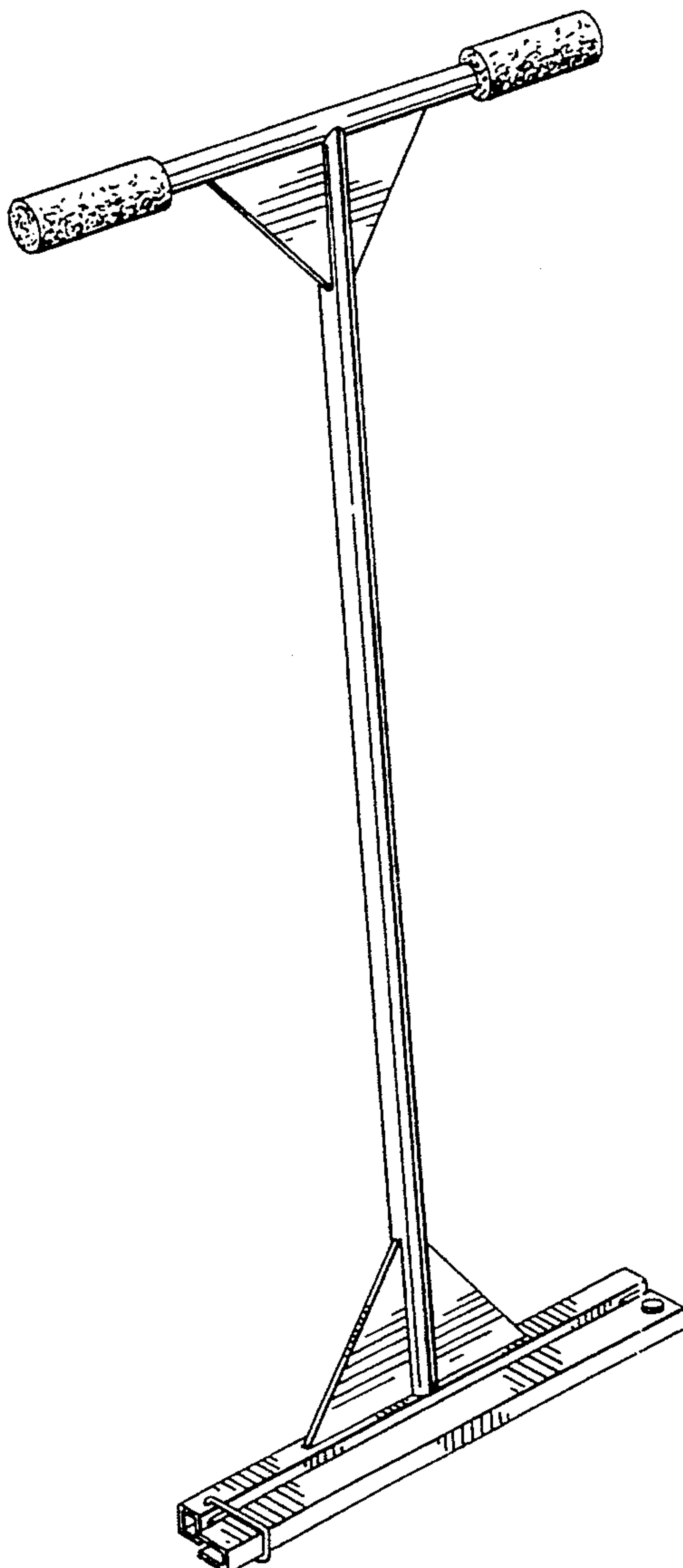
[58] Field of Search ..... D8/14; 299/37; 156/584, 156/344; 254/200; 294/8.6

FIG. 1 is a top, front perspective view of a carpet stripper showing my new design;  
FIG. 2 is a bottom, rear perspective view thereof;  
FIG. 3 is a rear elevational view thereof, with the support rod shown fragmented for ease of illustration;  
FIG. 4 is a left side view thereof, with the support rod shown fragmented for ease of illustration;  
FIG. 5 is a top plan view thereof; and,  
FIG. 6 is a bottom plan view thereof.

[56] **References Cited**

**U.S. PATENT DOCUMENTS**

2,612,400 9/1952 Facio ..... 294/19.1  
4,330,938 5/1982 Martin ..... 299/37



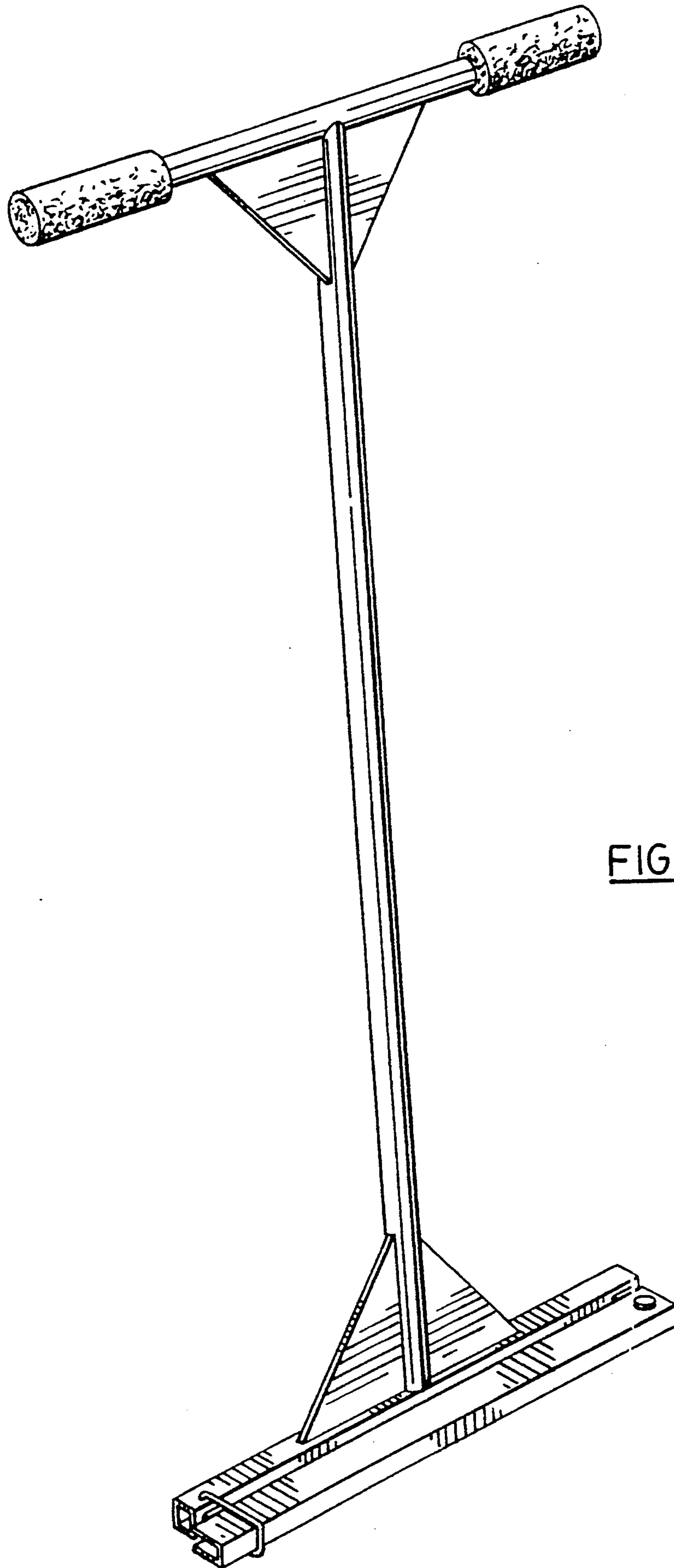


FIG. 1

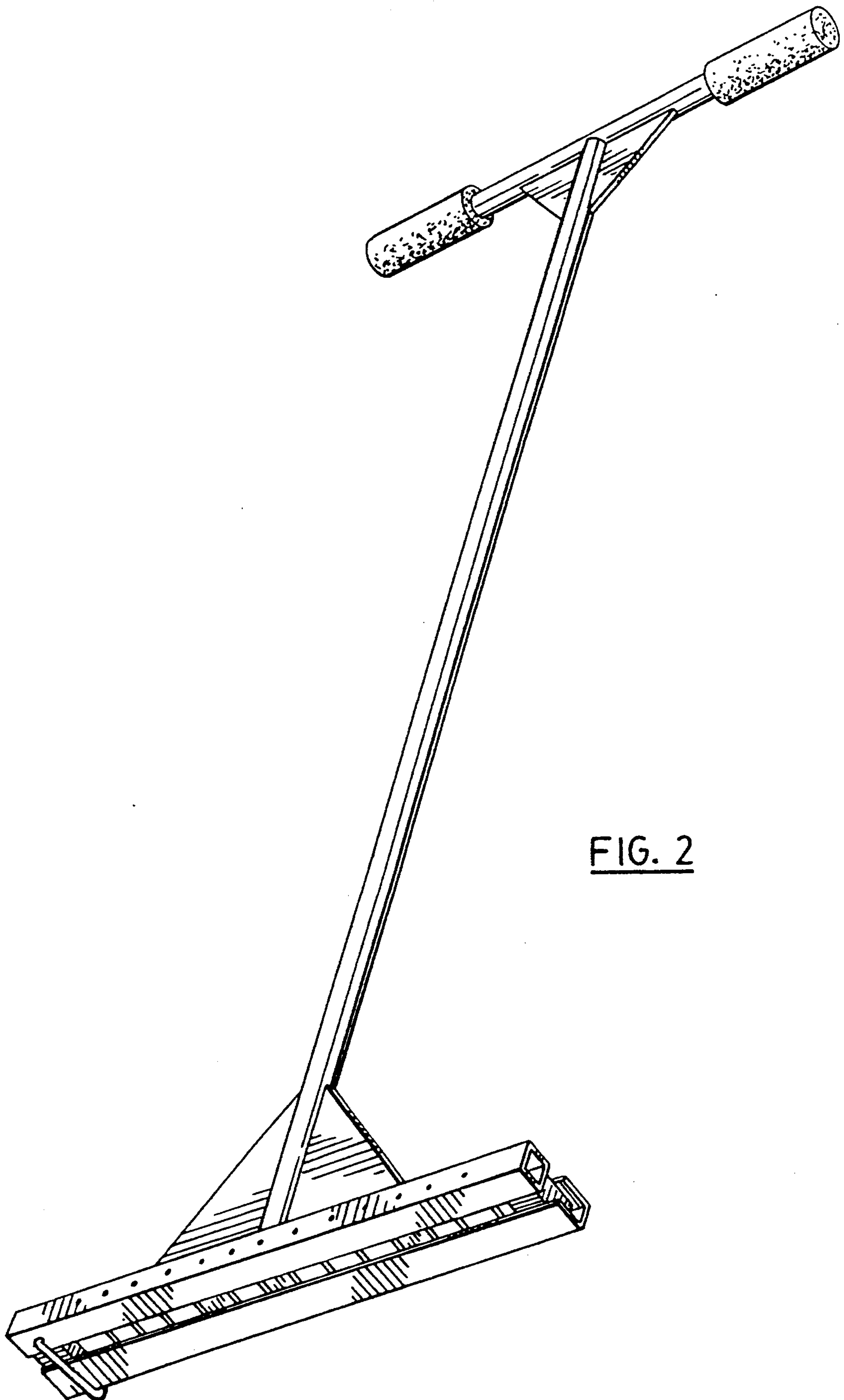


FIG. 2

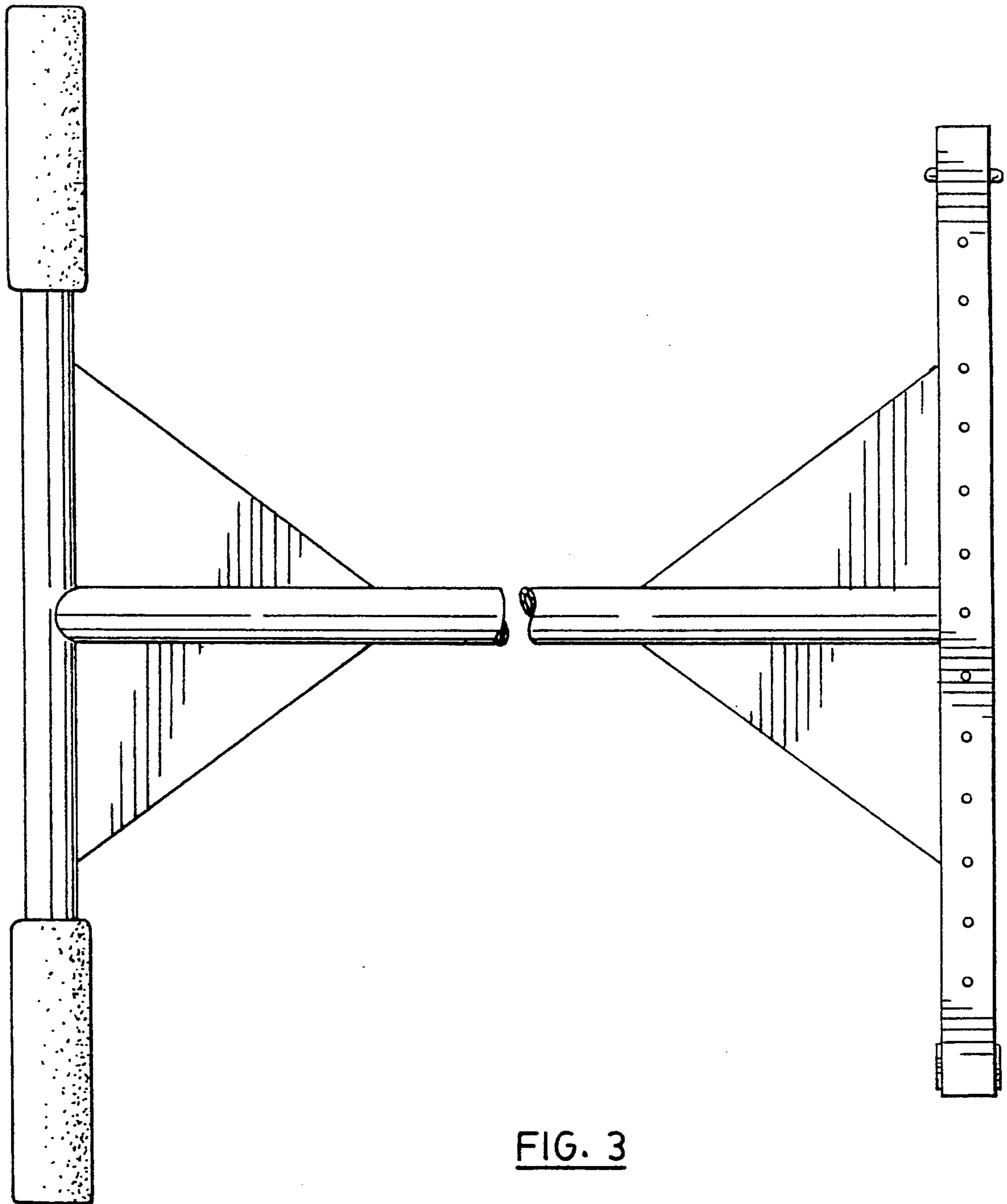


FIG. 3

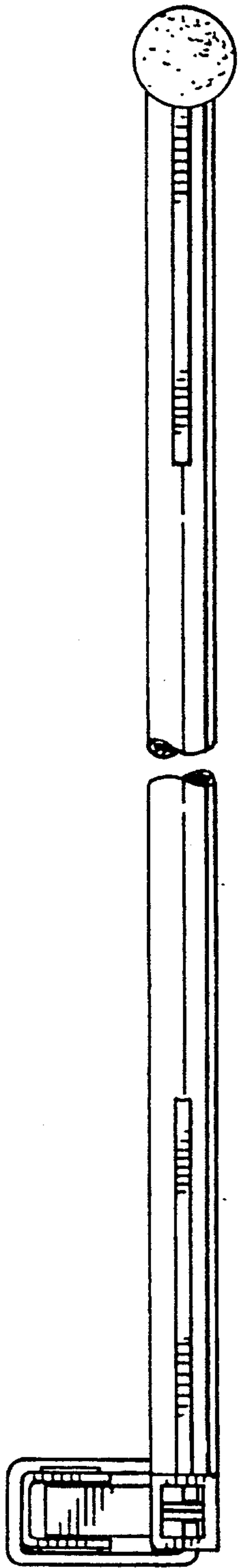


FIG. 4

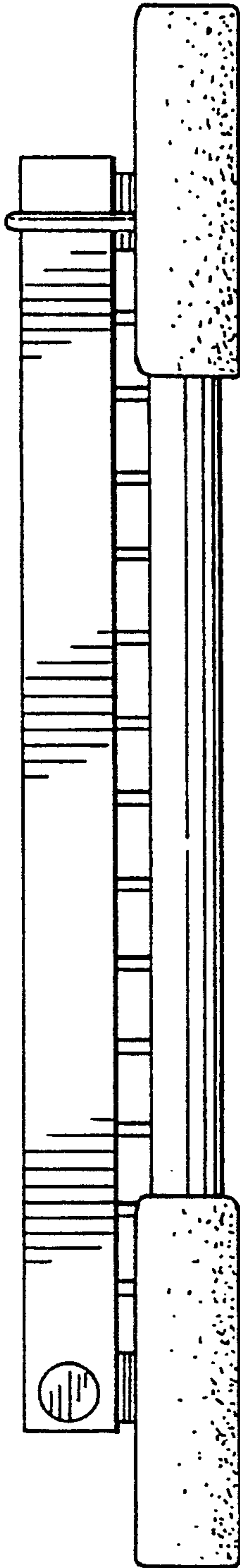


FIG. 5

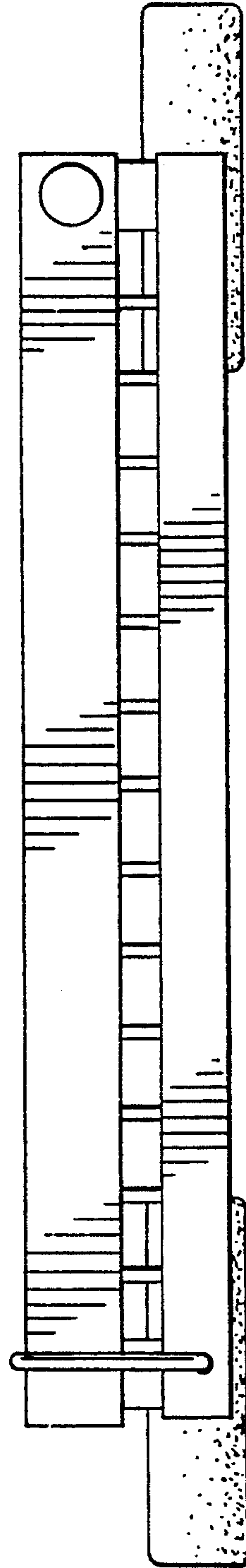


FIG. 6