



US00D350882S

United States Patent [19]

[11] Patent Number: **Des. 350,882**

Charland

[45] Date of Patent: **** Sep. 27, 1994**

[54] **MEAT PATTY MOLD**

[76] Inventor: **Cyril Charland**, 1515 V.F.W. Pkwy.,
West Roxbury, Mass. 02132

[**] Term: **14 Years**

[21] Appl. No.: **826**

[22] Filed: **Jan. 2, 1993**

[52] U.S. Cl. **D7/672**

[58] Field of Search **D7/672, 682; 425/298,**
425/299, 318, 284

2,605,498 8/1952 Manton **D7/672 X**
 3,120,678 2/1964 Glenny **425/318**
 4,245,973 1/1981 Greaney **425/298 X**

Primary Examiner—Terry A. Wallace

[57] CLAIM

The ornamental design for a meat patty mold, as shown and described.

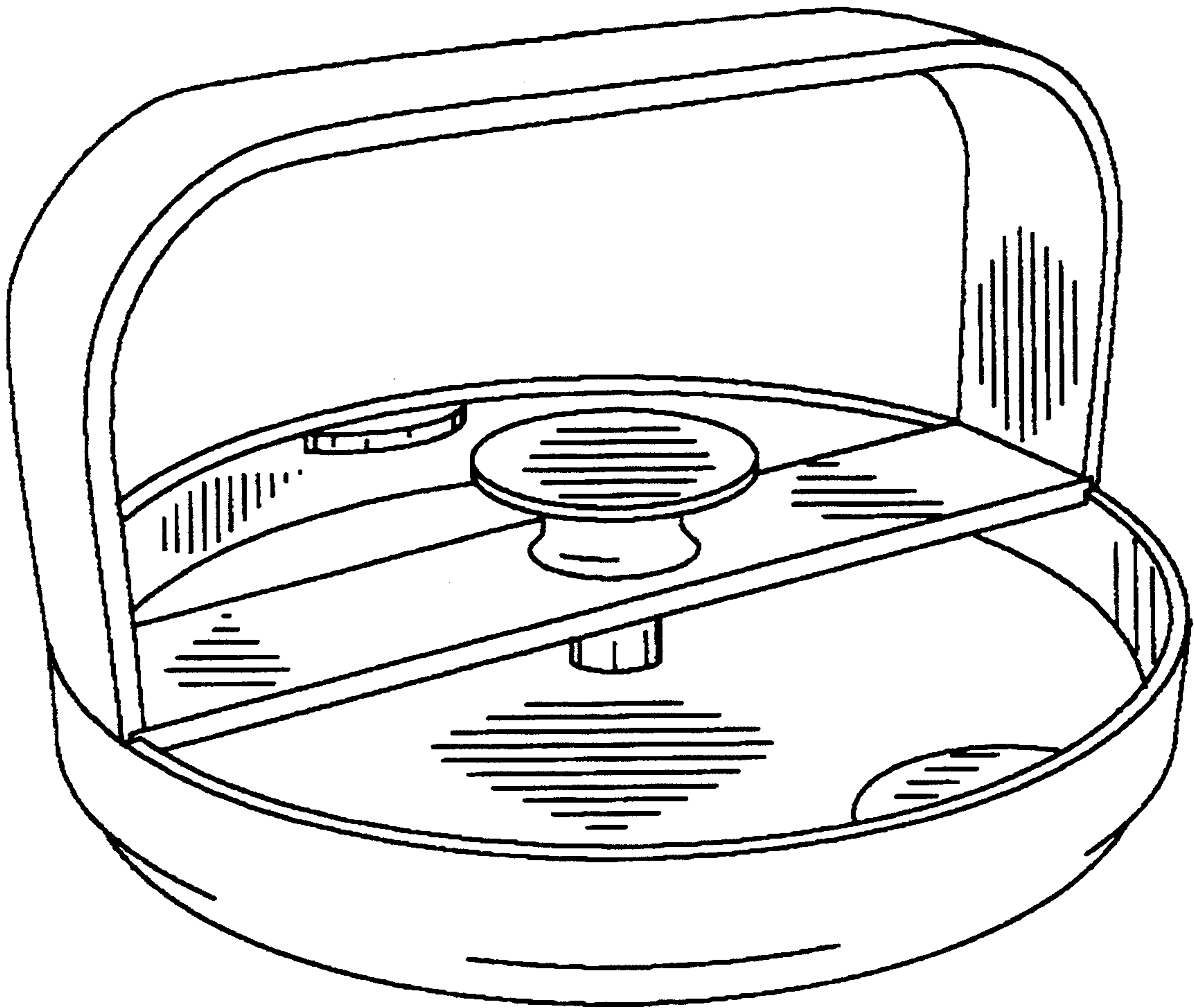
DESCRIPTION

FIG. 1 is a perspective view of a meat patty mold showing my new design;
 FIG. 2 is a right side elevational view thereof;
 FIG. 3 is a left side elevational view thereof;
 FIG. 4 is a front elevational view thereof;
 FIG. 5 is a rear elevational view thereof;
 FIG. 6 is a top plan view thereof; and,
 FIG. 7 is a bottom plan view thereof.

[56] **References Cited**

U.S. PATENT DOCUMENTS

D. 191,367	9/1961	Heuck	D7/672
1,069,509	8/1913	Winn	425/318 X
1,749,178	3/1930	Berg	425/318
2,584,536	2/1952	Belt	425/318



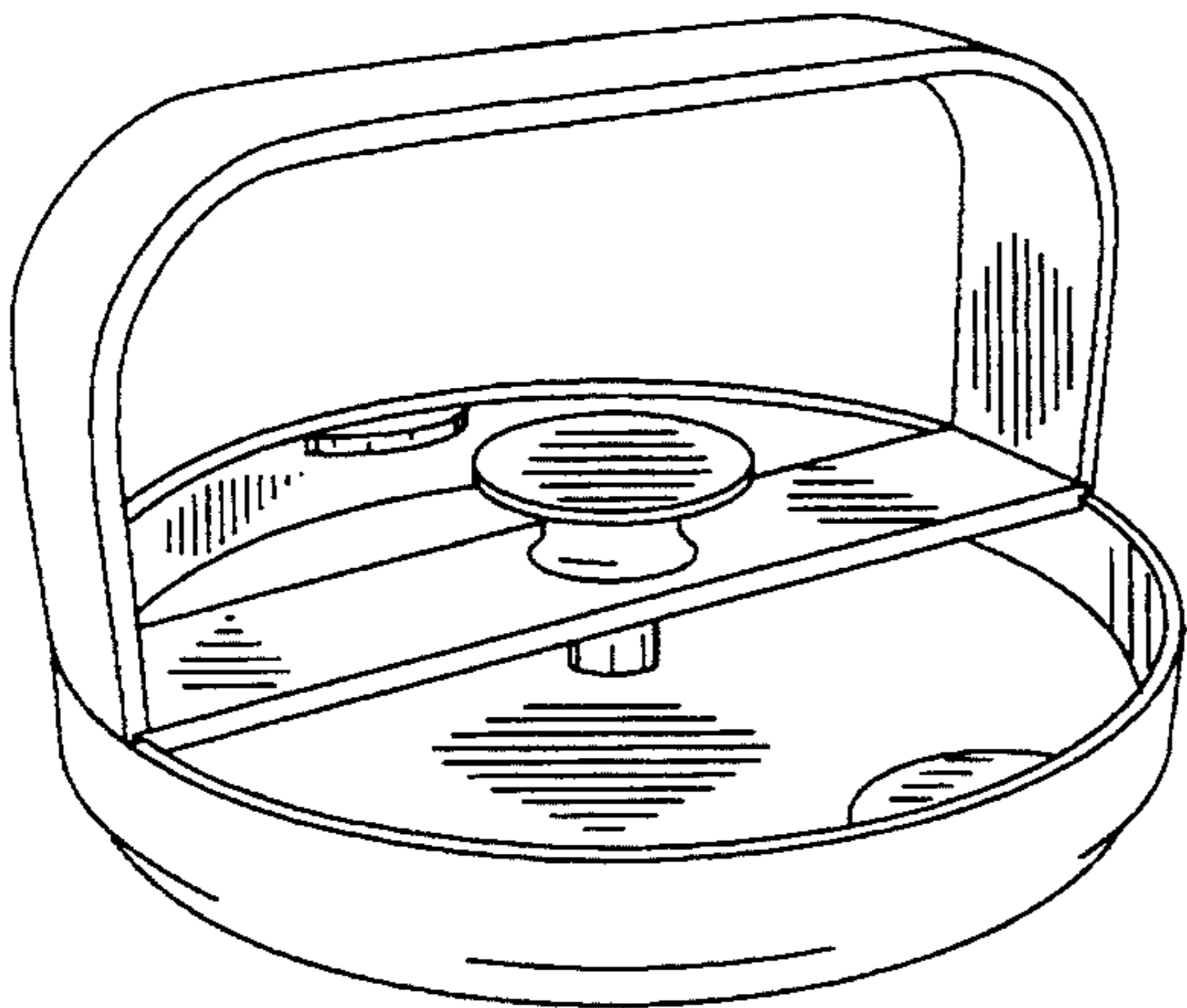


FIG. 1

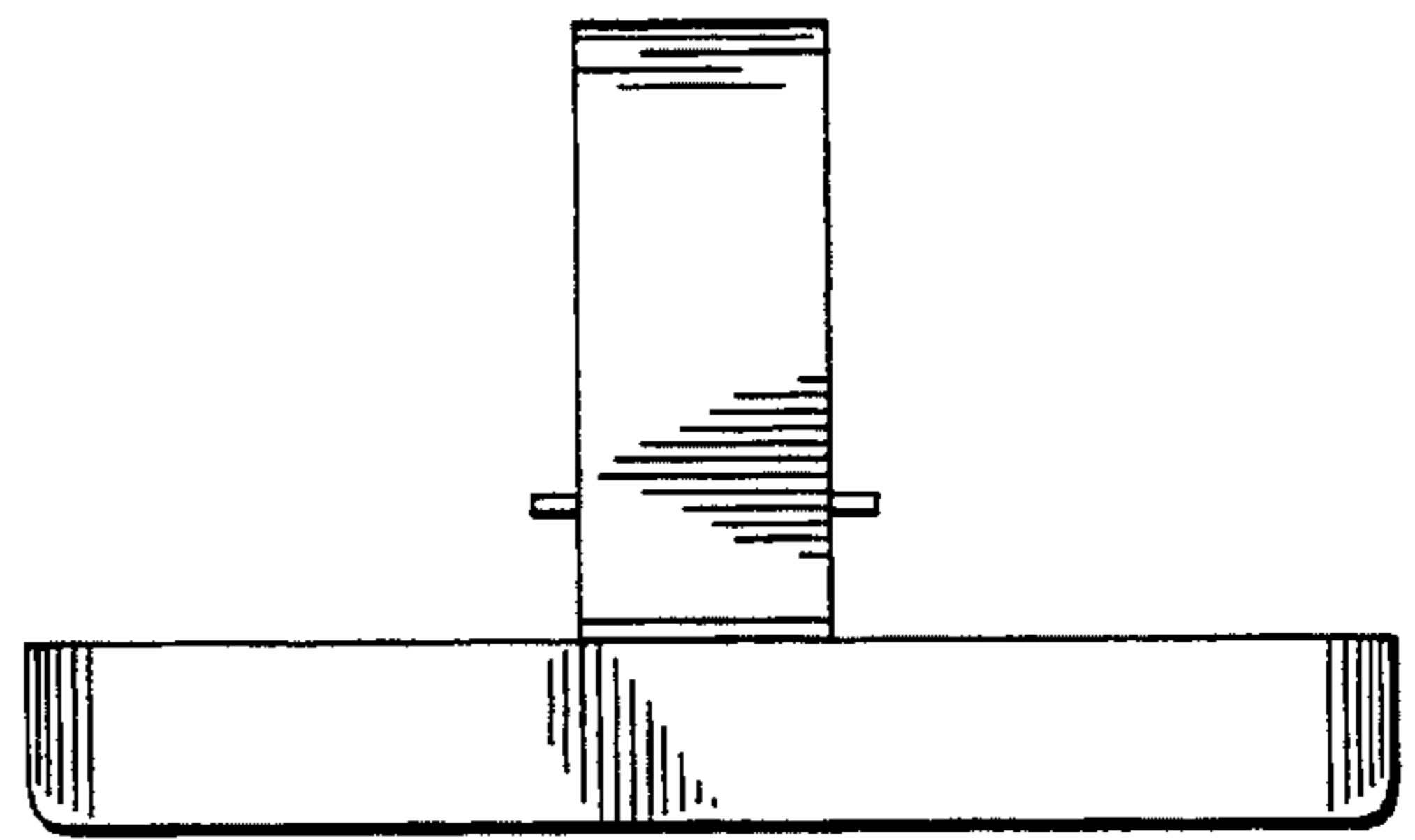


FIG. 2

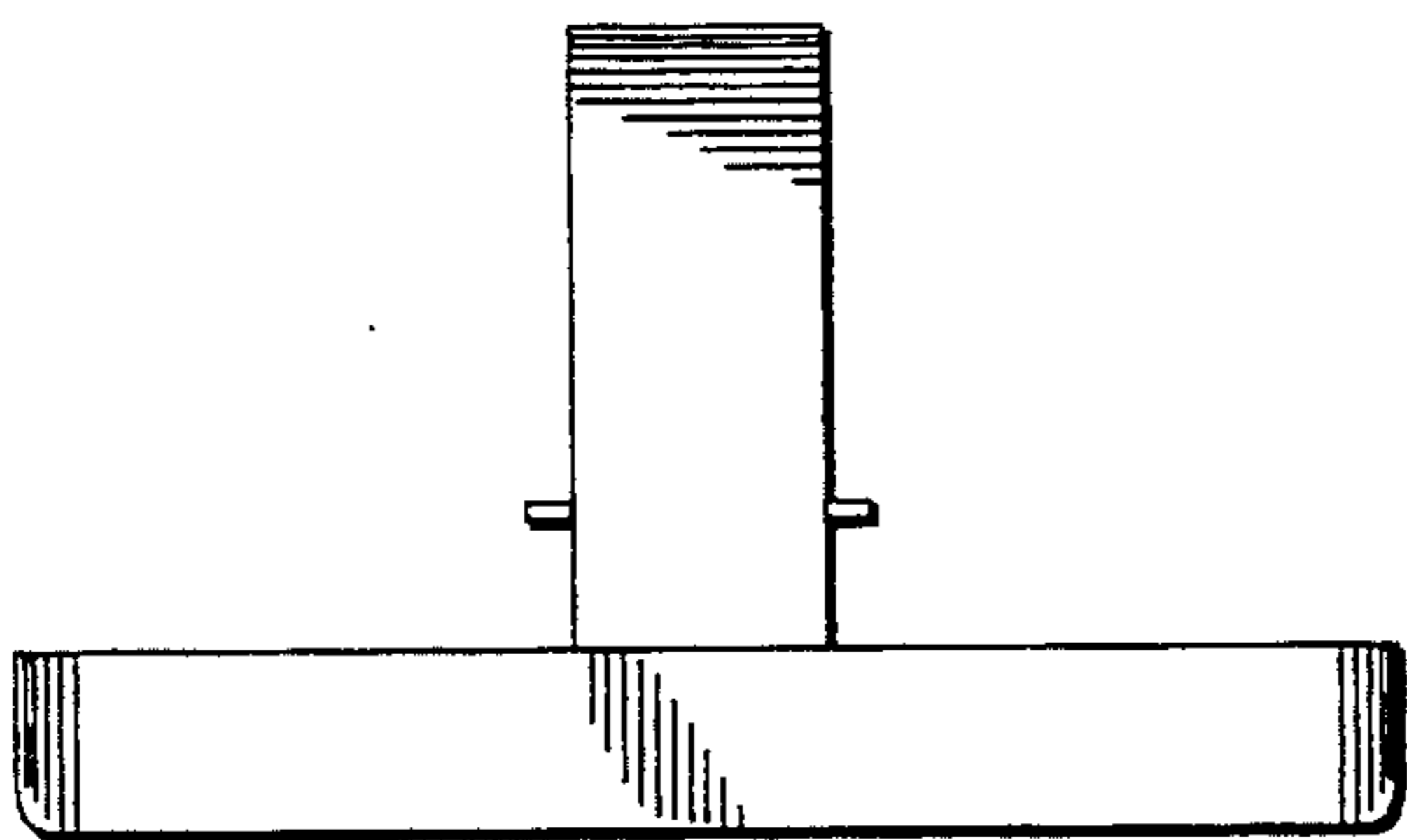


FIG. 3

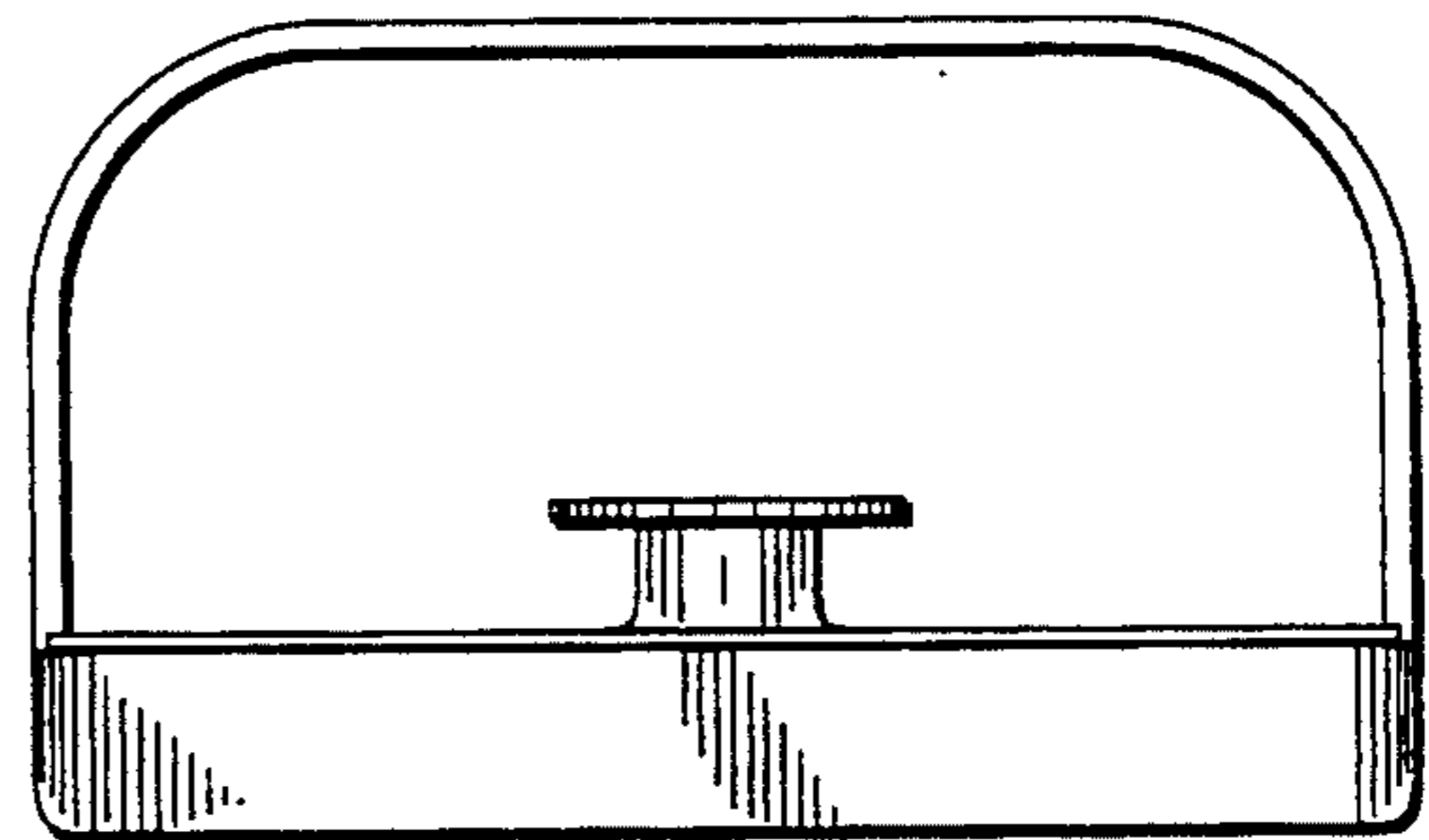


FIG. 4

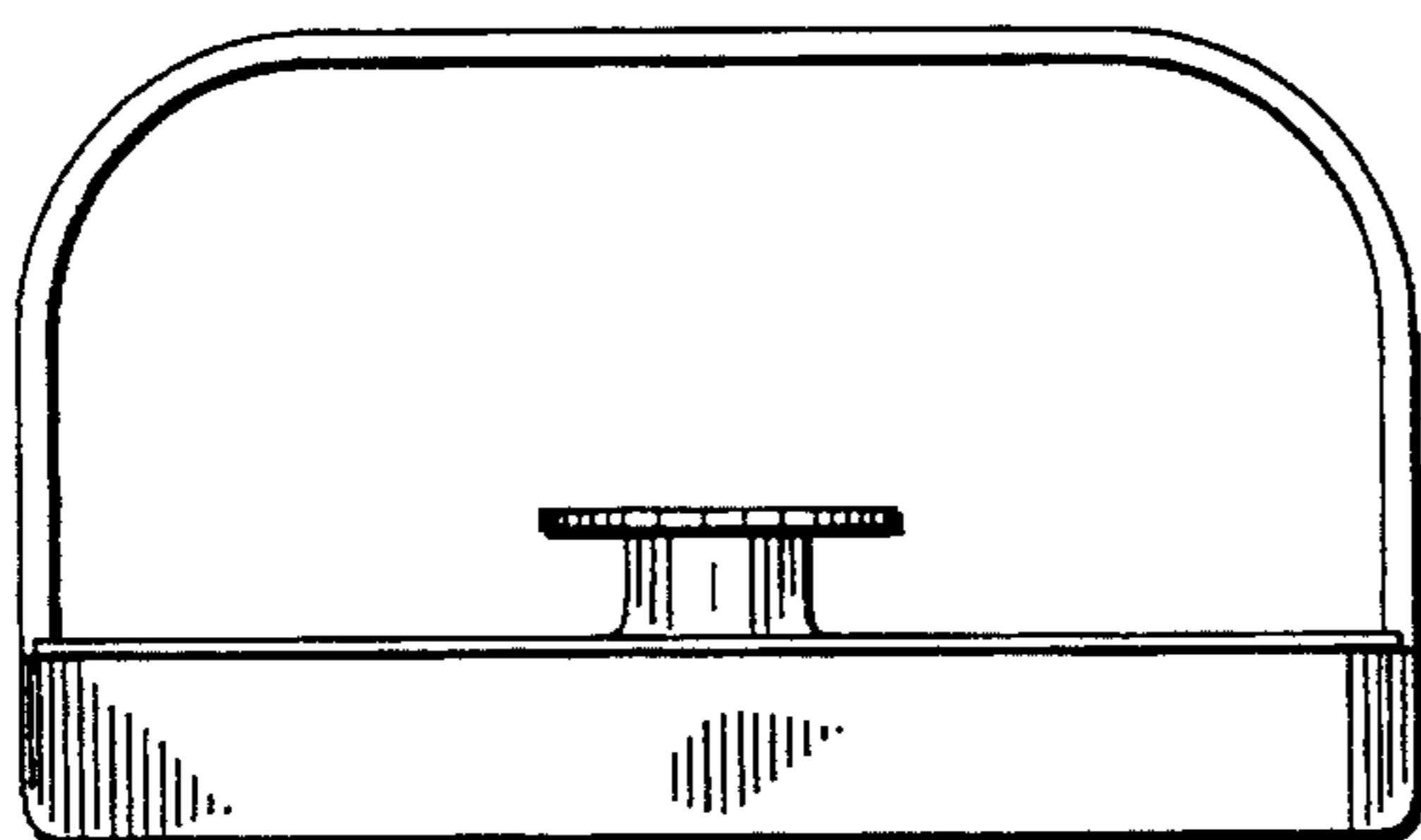


FIG. 5

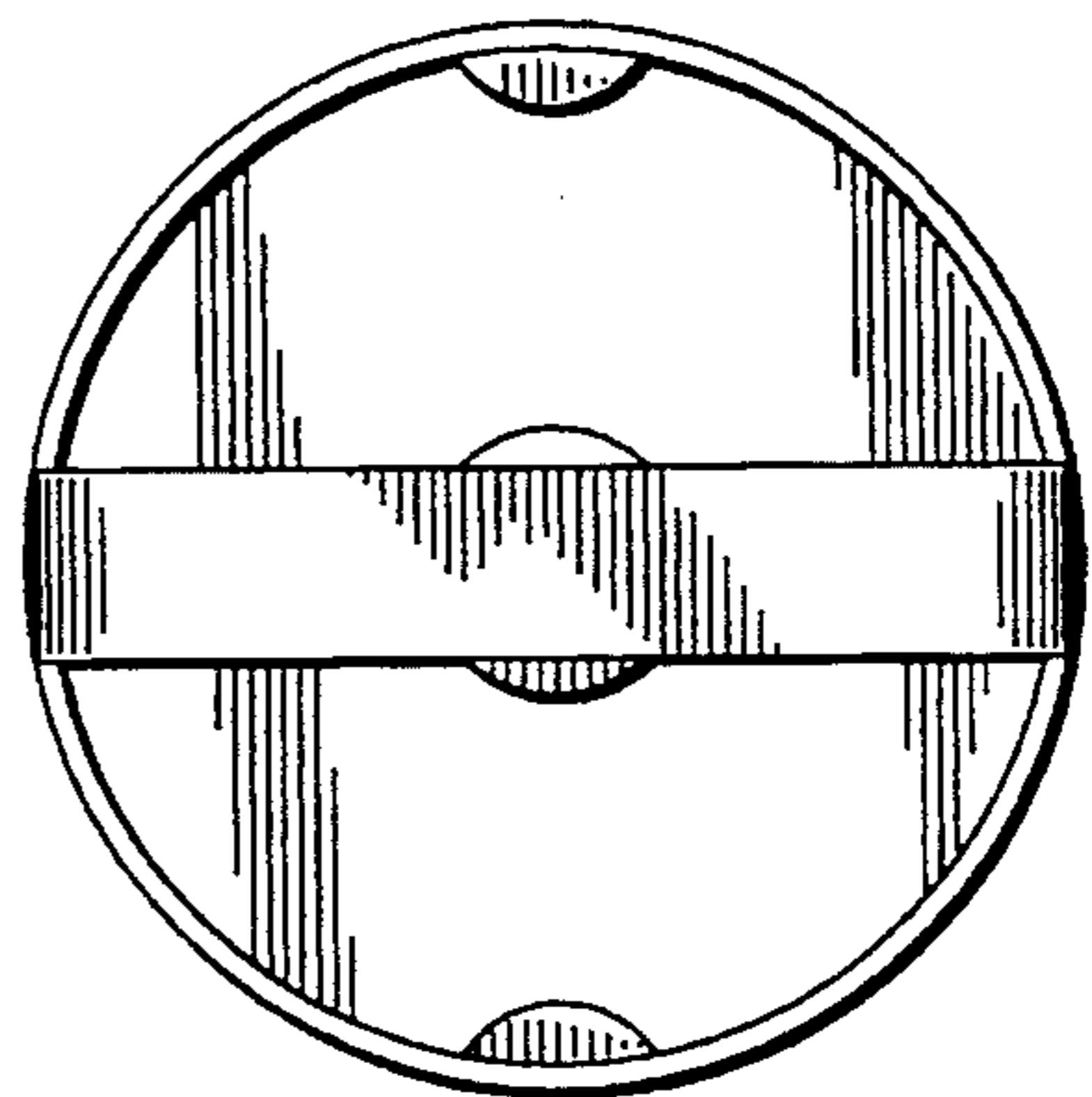


FIG. 6

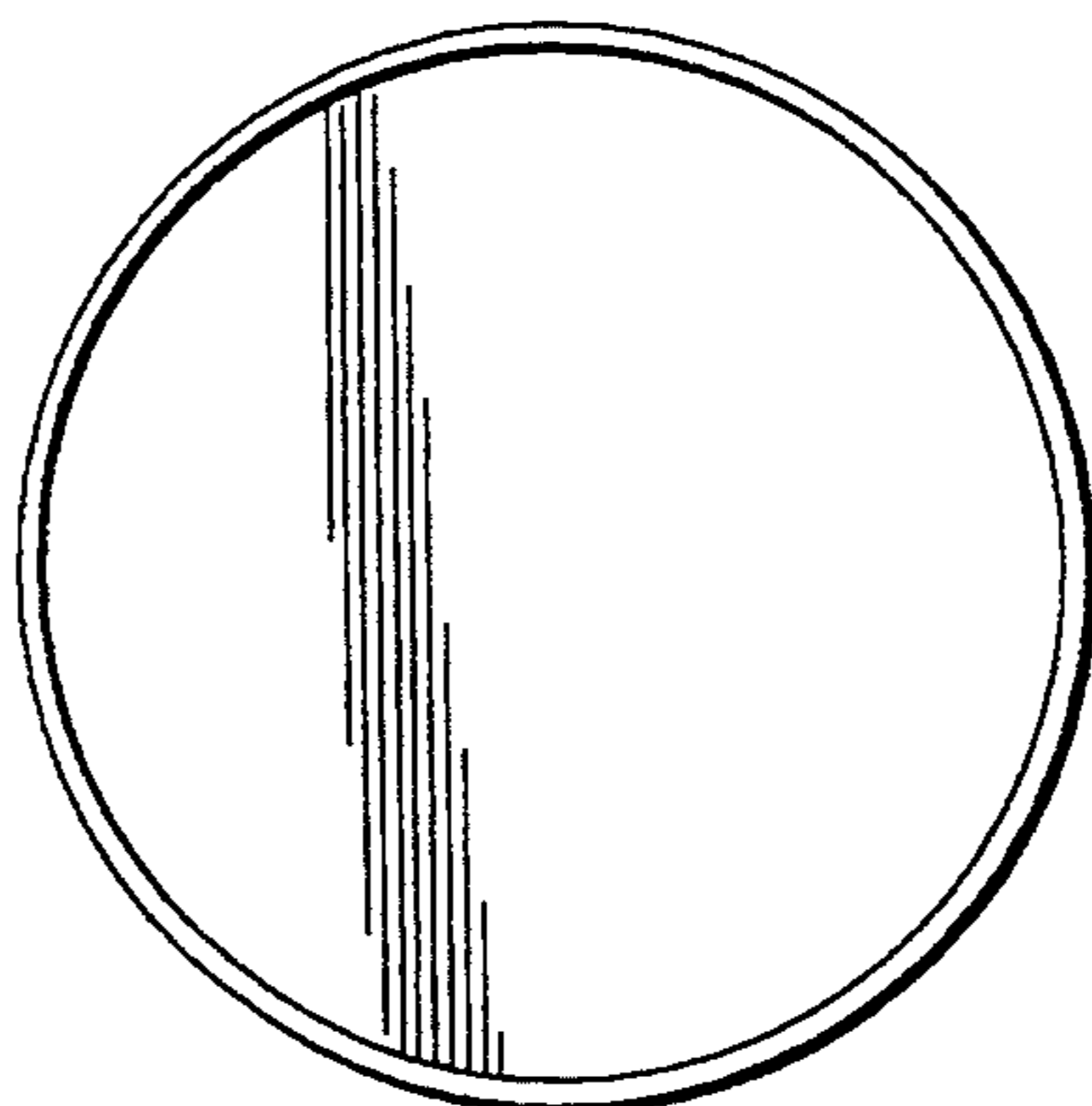


FIG. 7