



US00D350881S

United States Patent [19]
VanValkenburg et al.

[11] **Patent Number: Des. 350,881**
[45] **Date of Patent: ** Sep. 27, 1994**

[54] **LETTUCE CONTAINER**

[75] **Inventors: Terry L. VanValkenburg, Elk River, Minn.; Bradley W. Andress, Hudson, Wis.; Gregg M. Davis; John W. Koenig, both of Columbus, Ohio**

[73] **Assignee: Plastics, Inc., St. Paul, Minn.**

[**] **Term: 14 Years**

[21] **Appl. No.: 6,042**

[22] **Filed: Mar. 22, 1993**

[52] **U.S. Cl. D7/629**

[58] **Field of Search D7/614-615, D7/354, 500, 538-549, 629; D9/424, 425; 206/216; 220/212, 253, 352, 353, 675**

[56] **References Cited**

U.S. PATENT DOCUMENTS

4,471,880 9/1984 Taylor et al. D7/629 X

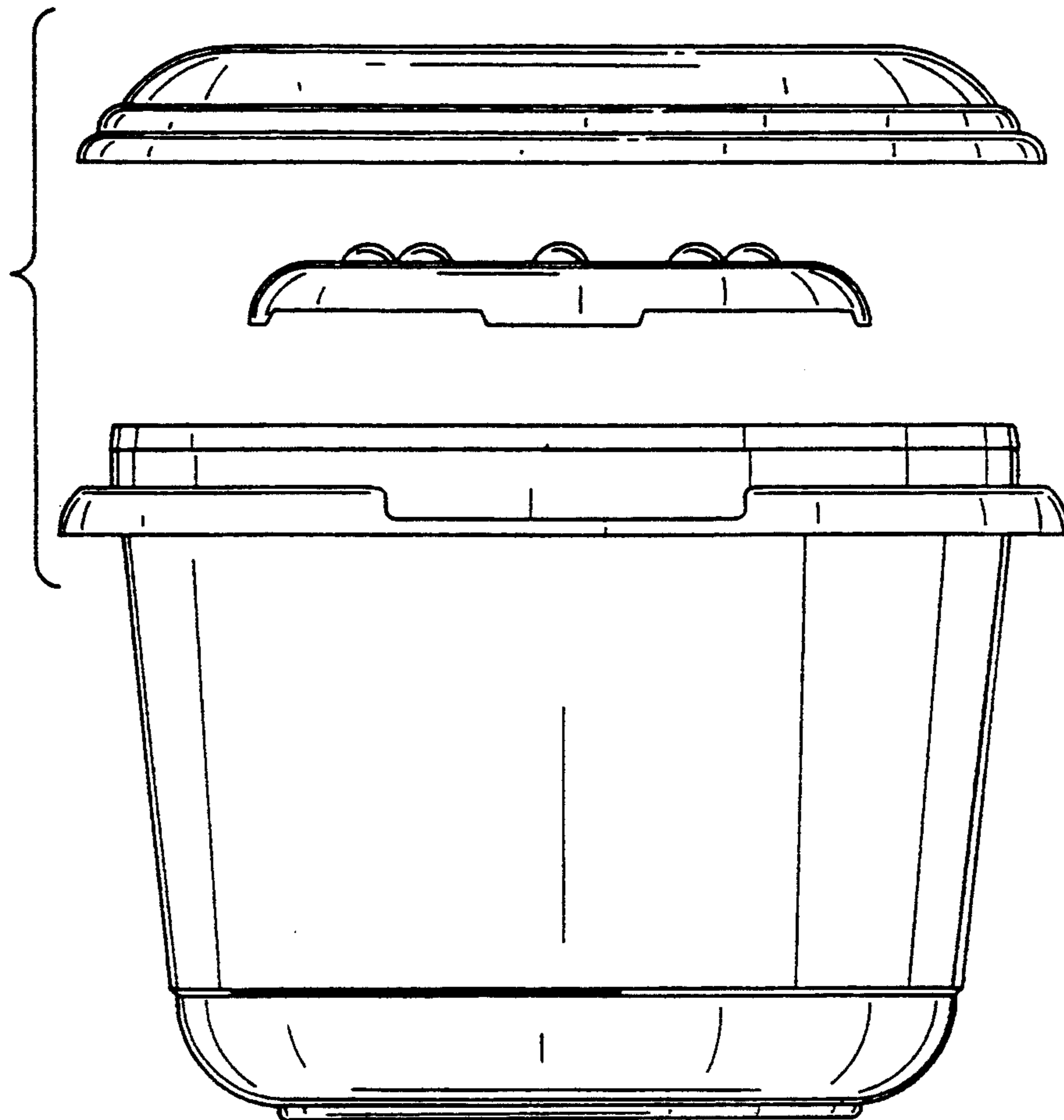
Primary Examiner—Terry A. Wallace
Attorney, Agent, or Firm—Baker & McKenzie

[57] **CLAIM**

The ornamental design for a lettuce container, as shown and described.

DESCRIPTION

FIG. 1 is an exploded side elevational view of a lettuce container showing our new design, the opposite side being a mirror image;
FIG. 2 is a top plan view thereof with the lid omitted for clarity of illustration;
FIG. 3 is a top plan view of the lettuce holder shown separately for clarity of illustration;
FIG. 4 is a side elevational view thereof, the opposite side being a mirror image;
FIG. 5 is a front elevational view thereof, the opposite side being a mirror image;
FIG. 6 is a top plan view thereof; and,
FIG. 7 is a bottom plan view thereof.



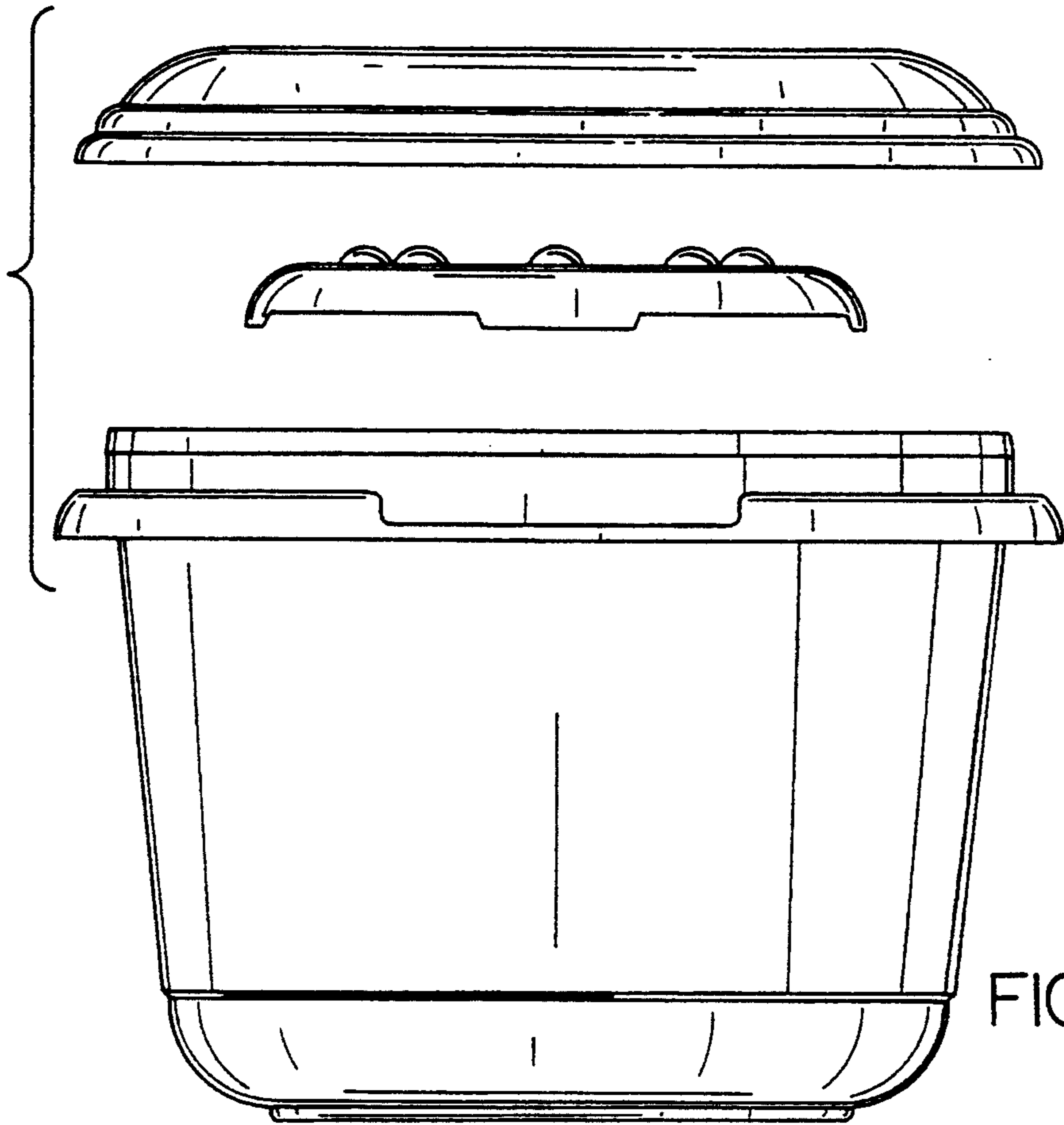


FIG. 1

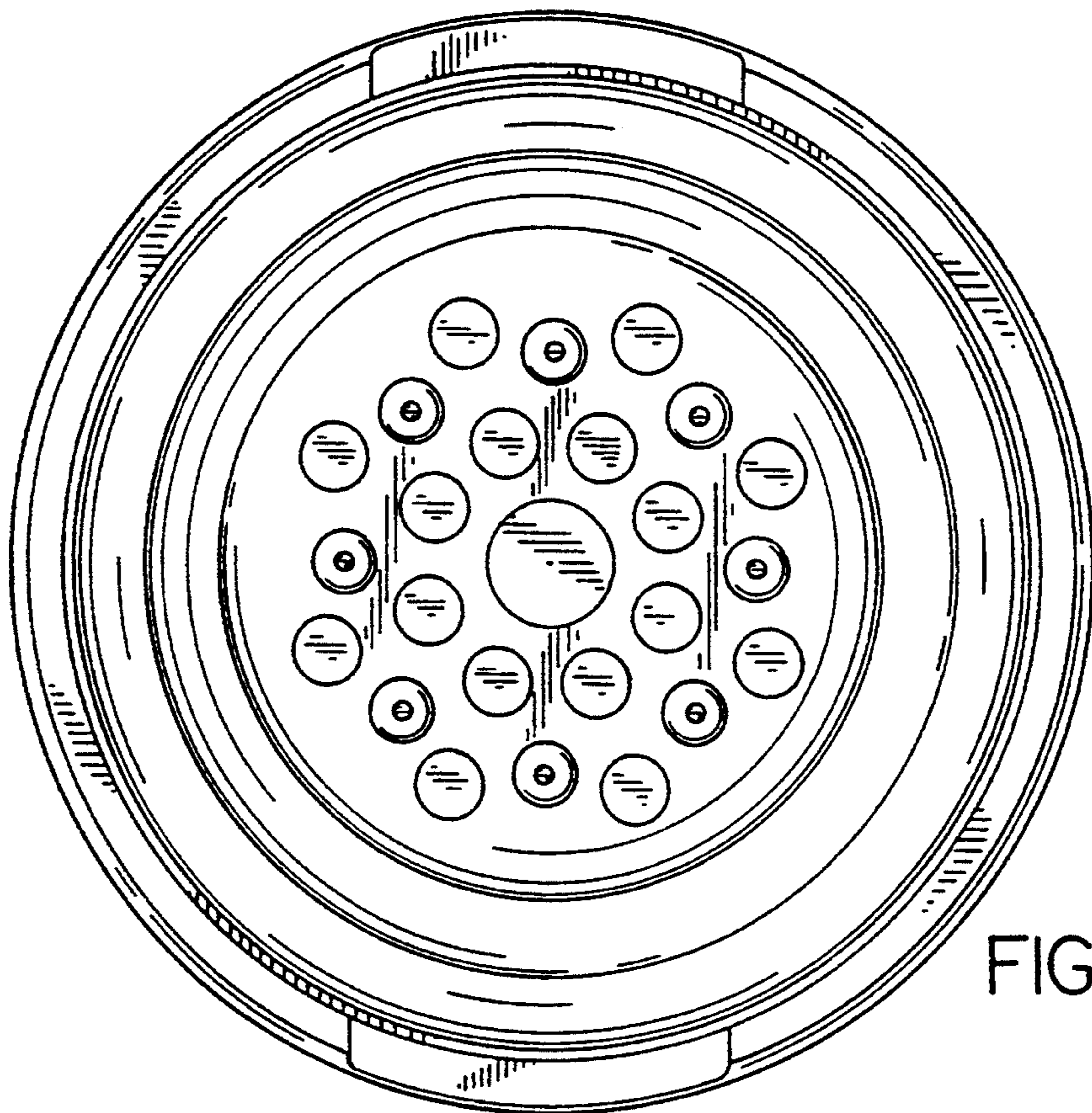


FIG. 2

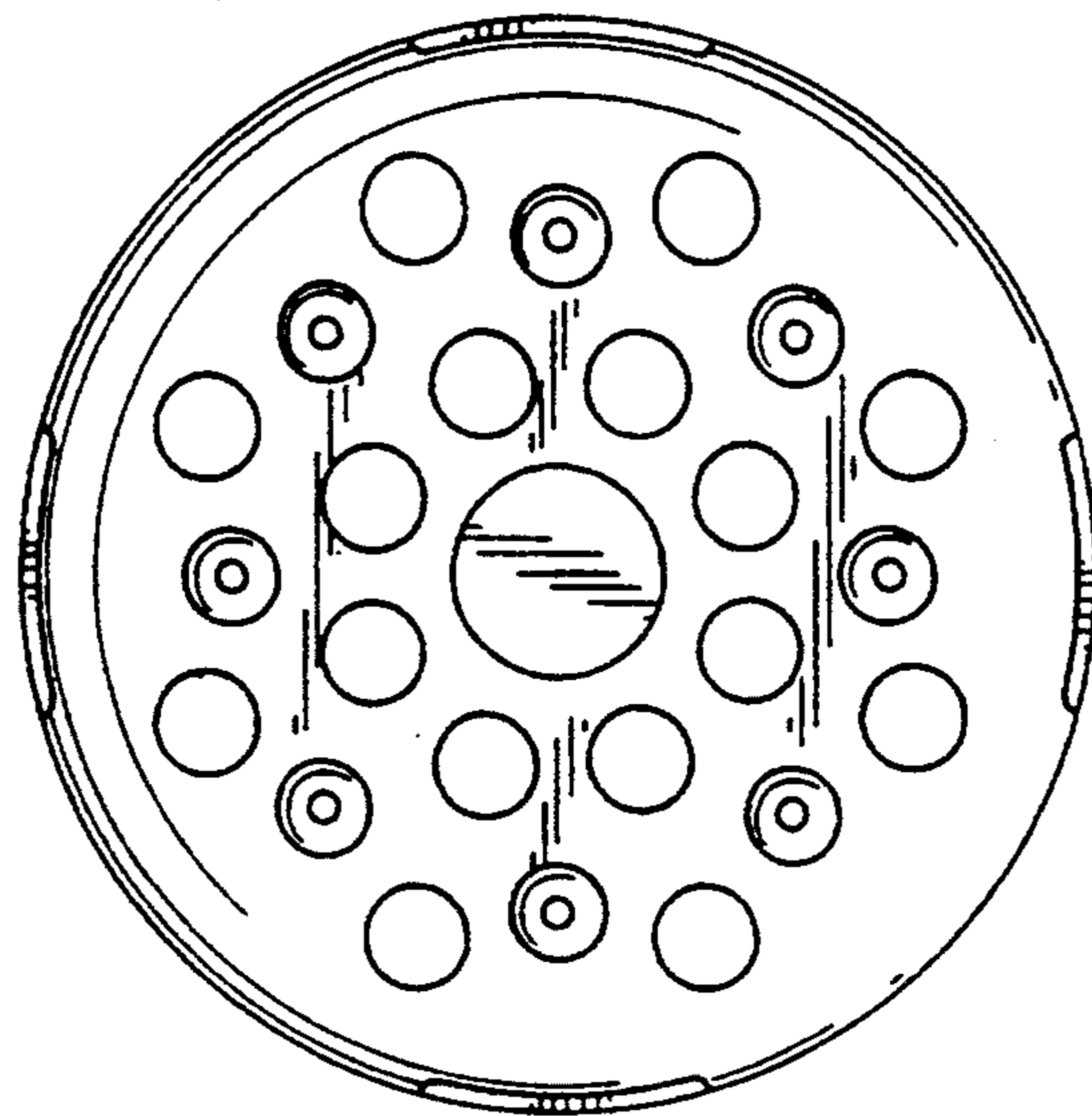


FIG. 3

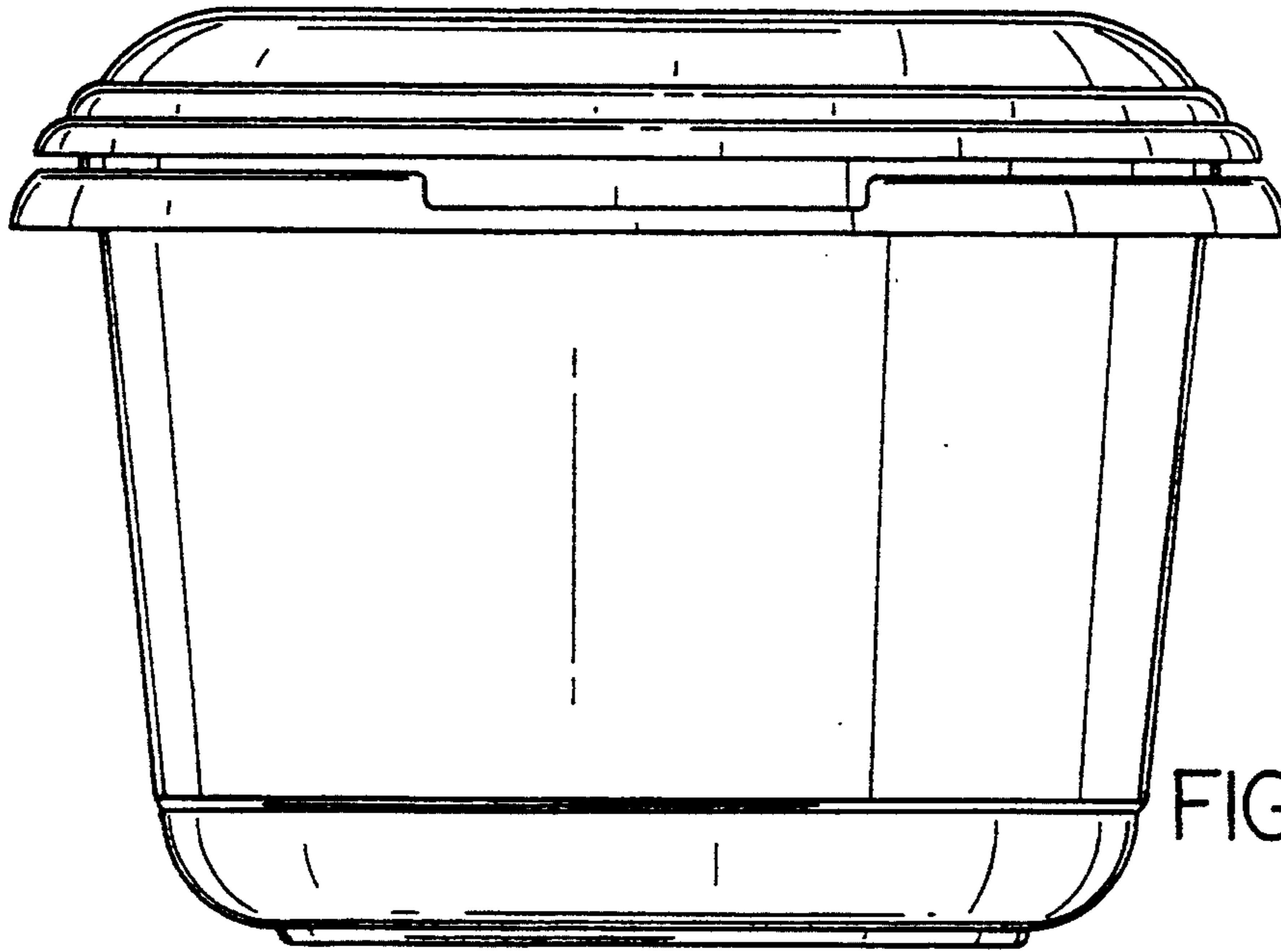


FIG. 4

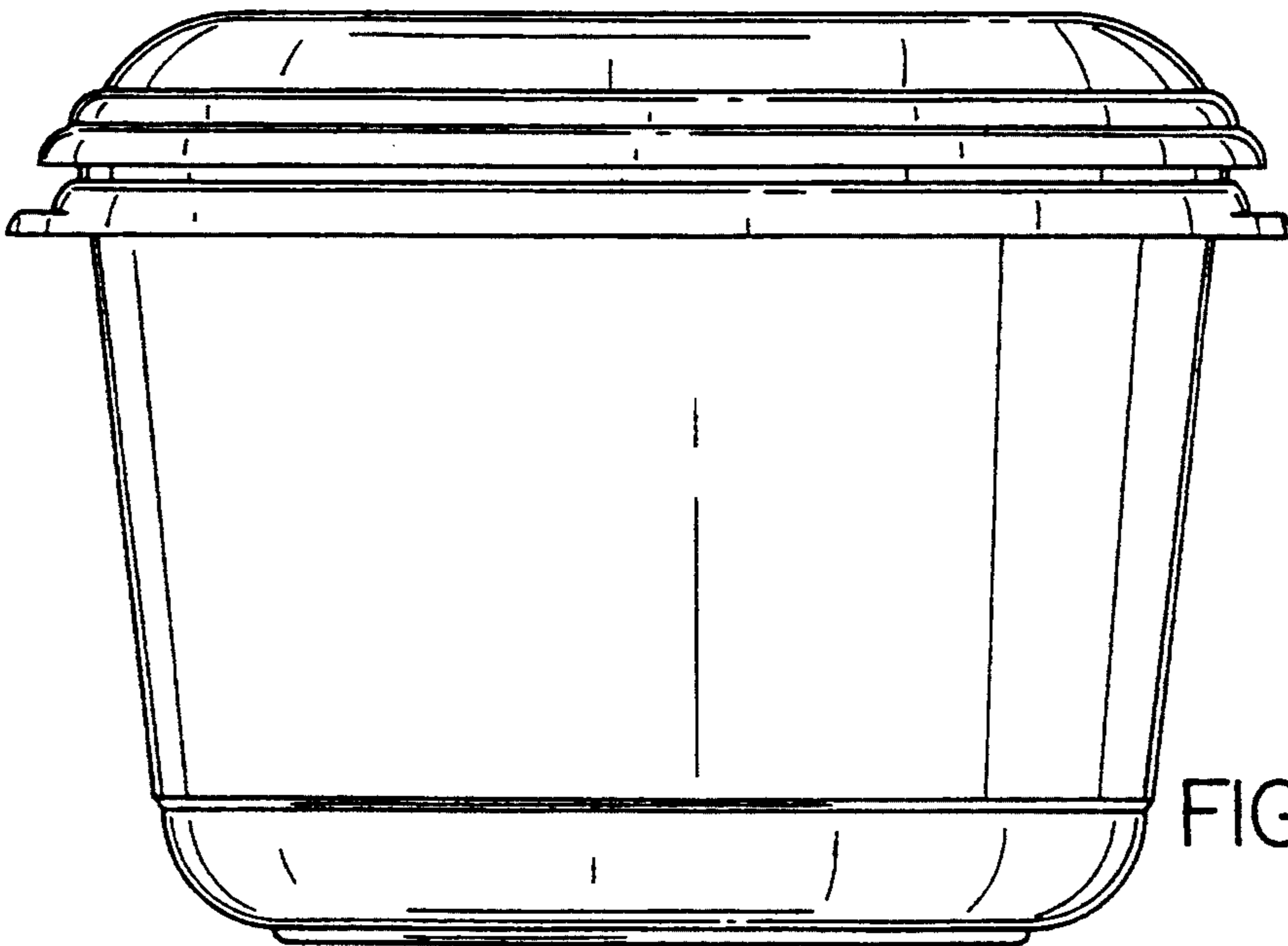


FIG. 5

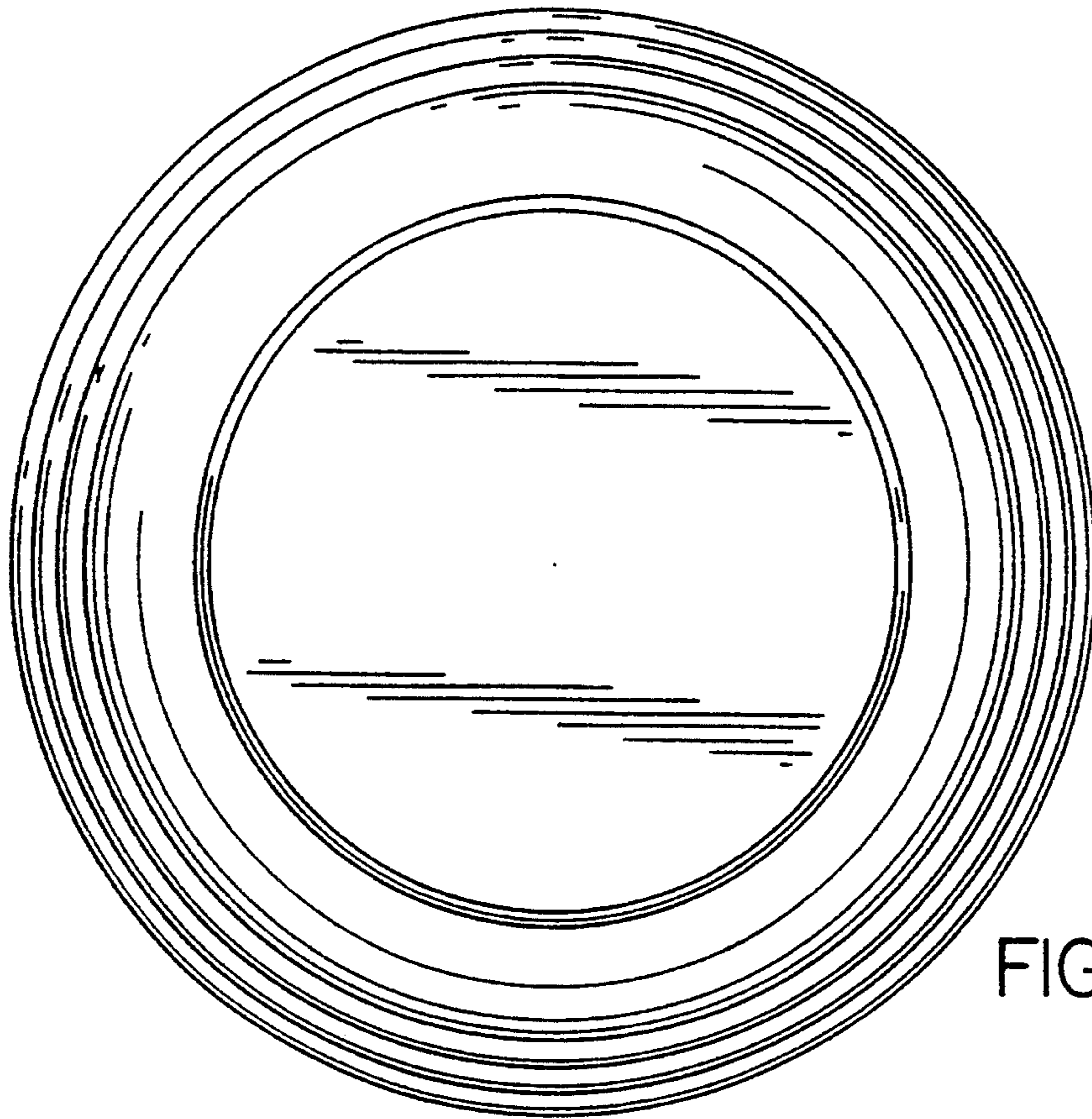


FIG. 6

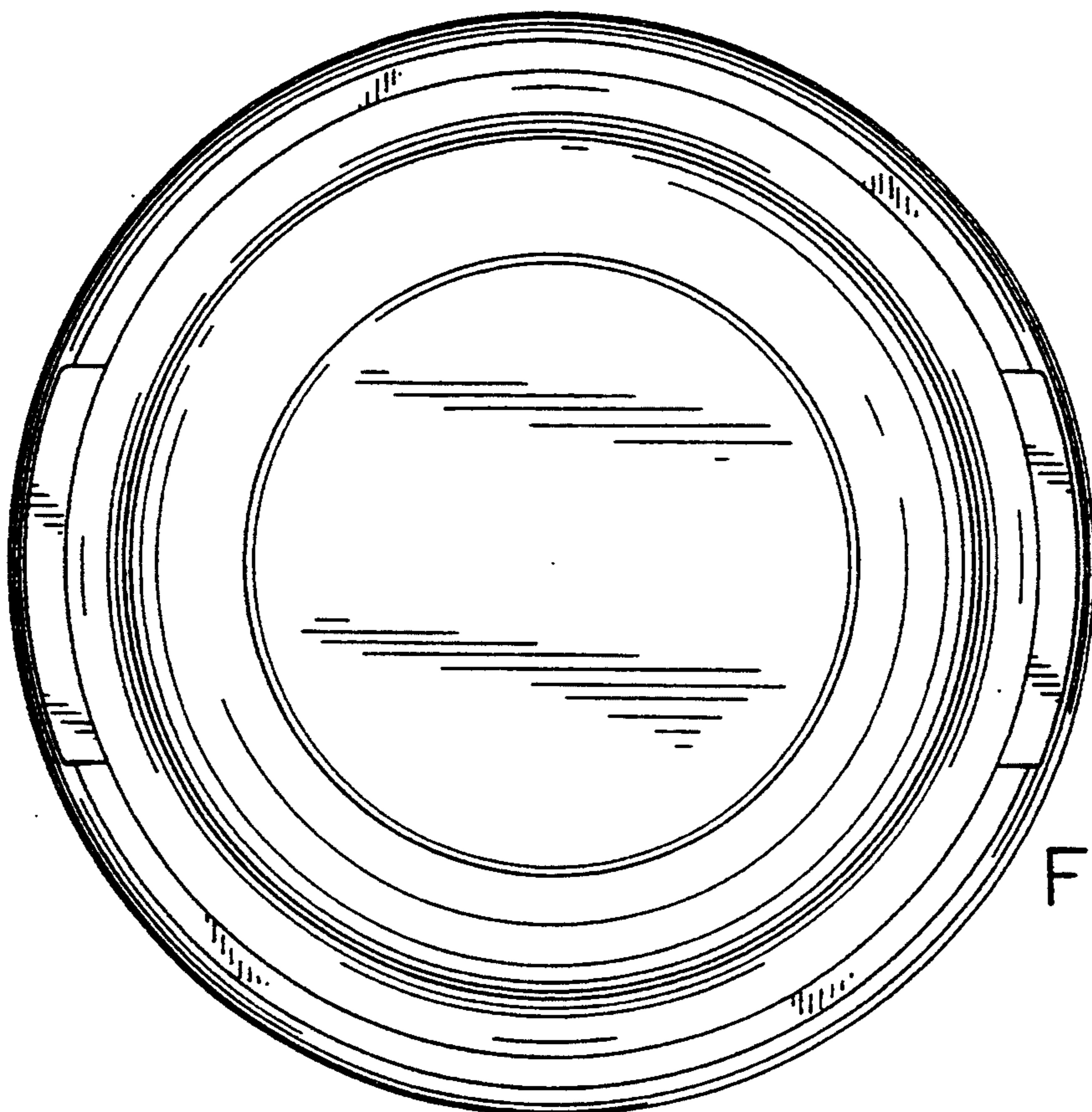


FIG. 7