



US00D350878S

United States Patent [19]

[11] Patent Number: **Des. 350,878**

Hoekstra

[45] Date of Patent: **** Sep. 27, 1994**

[54] **HOLDER FOR SINGLE BEVERAGE CONTAINER**

4,540,611 9/1985 Henderson 220/739 X
5,067,922 11/1991 McMahon 215/13.1 X

[76] Inventor: **Arthur L. Hoekstra**, 1545 Hudson Rd., St. Paul, Minn. 55106

Primary Examiner—Terry A. Wallace
Attorney, Agent, or Firm—Jacobson & Johnson

[**] Term: **14 Years**

[57] **CLAIM**

[21] Appl. No.: **6,439**

The ornamental design for a holder for single beverage container, as shown and described.

[22] Filed: **Mar. 29, 1993**

DESCRIPTION

[52] U.S. Cl. **D7/619; D34/25**

FIG. 1 is a perspective view of a holder for single beverage container, showing my design;
FIG. 2 is a right side elevation view;
FIG. 3 is a front elevation view;
FIG. 4 is a top view; and,
FIG. 5 is a bottom view.

[58] **Field of Search** **D7/619-624;**
211/71, 74; 220/737, 739; 280/47.26, 47.27;
D34/24-25

[56] **References Cited**

U.S. PATENT DOCUMENTS

- D. 32,505 4/1900 Buffington D34/25
- D. 271,718 12/1983 Johno, Jr. et al. D34/24
- D. 310,894 9/1990 Smith D34/24 X

The left side elevation view is a mirror image of the right as seen in FIG. 2. The rear elevation view is a mirror image of the front elevation view as seen in FIG. 3.

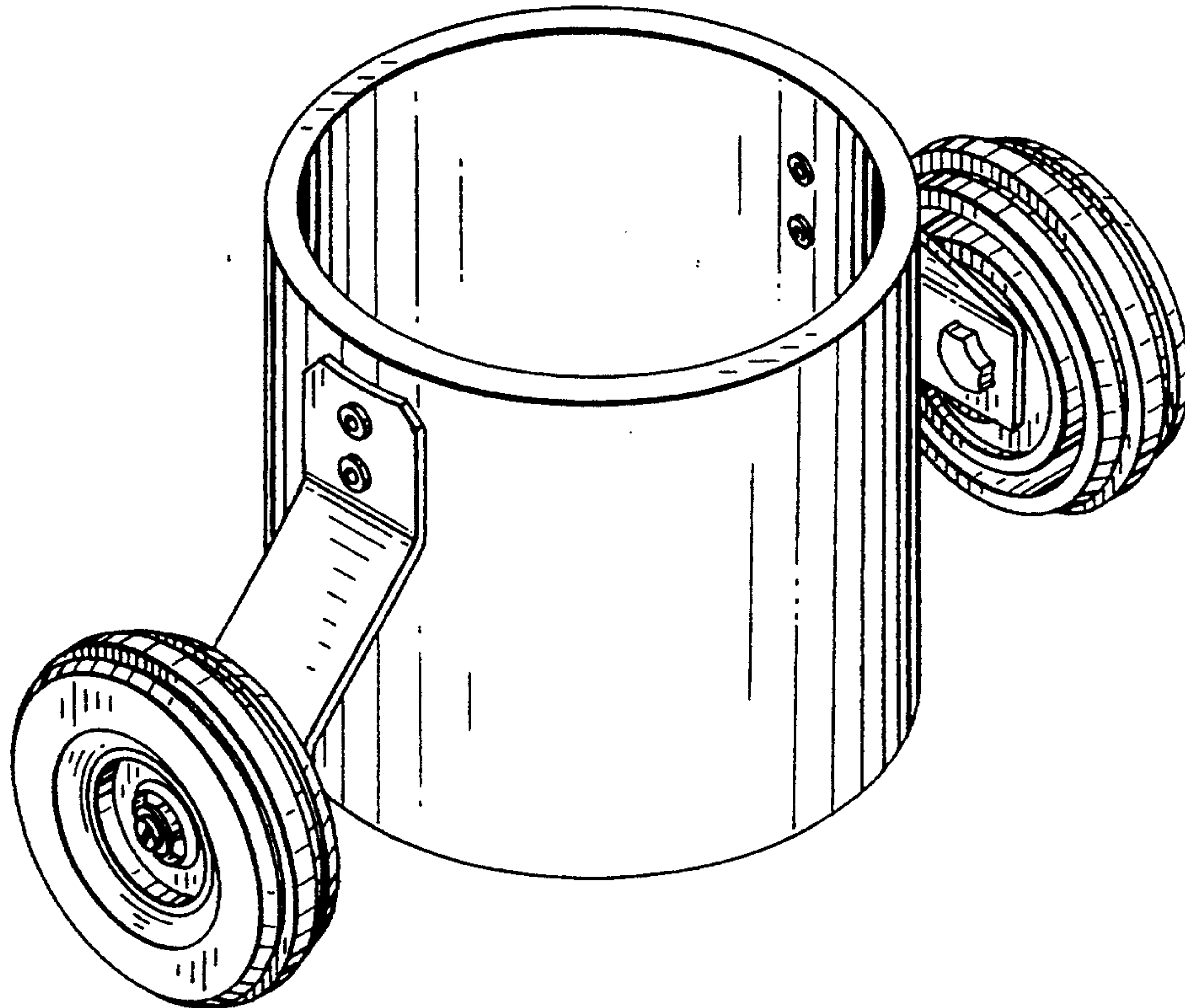


Fig.-1

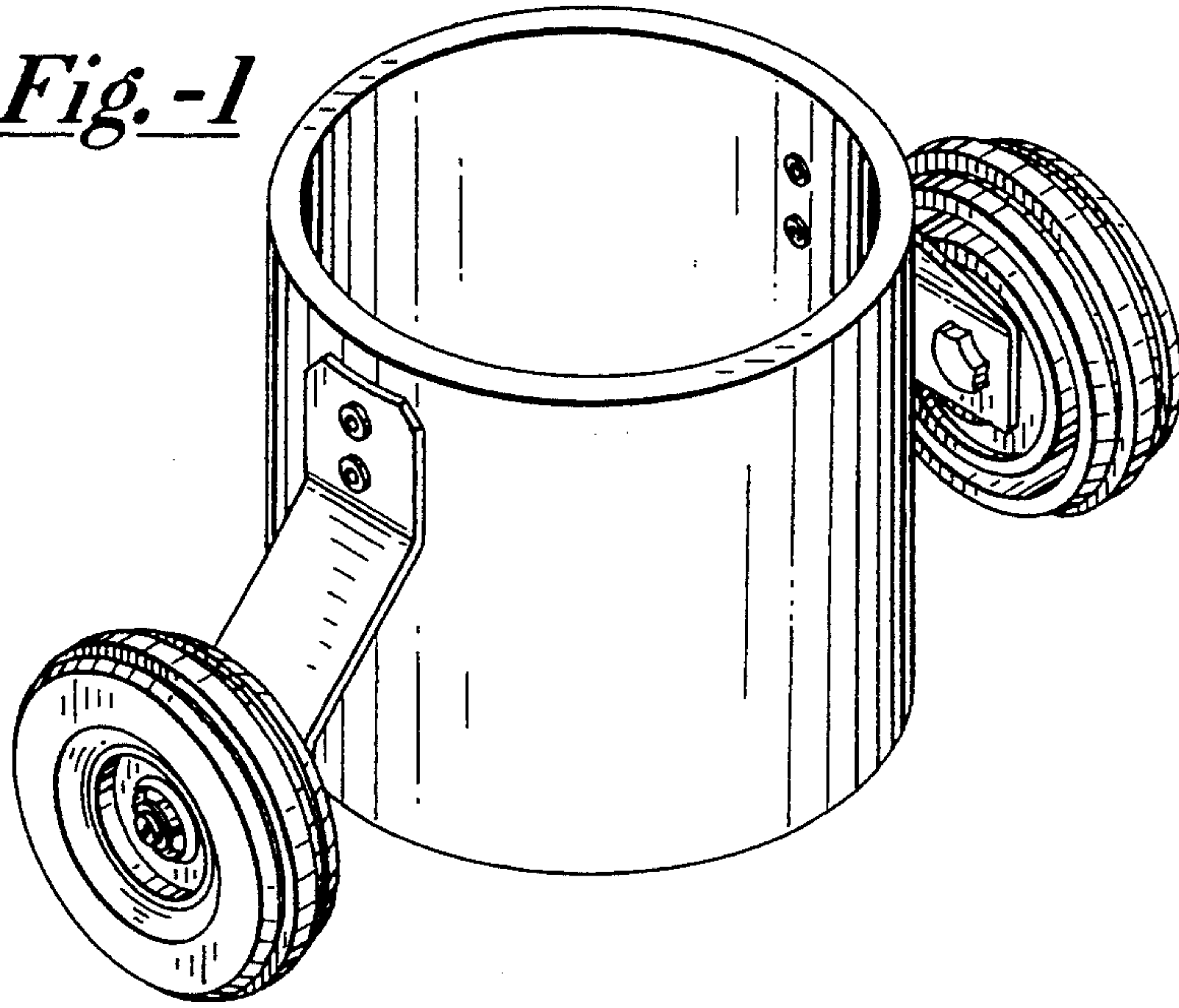


Fig.-2

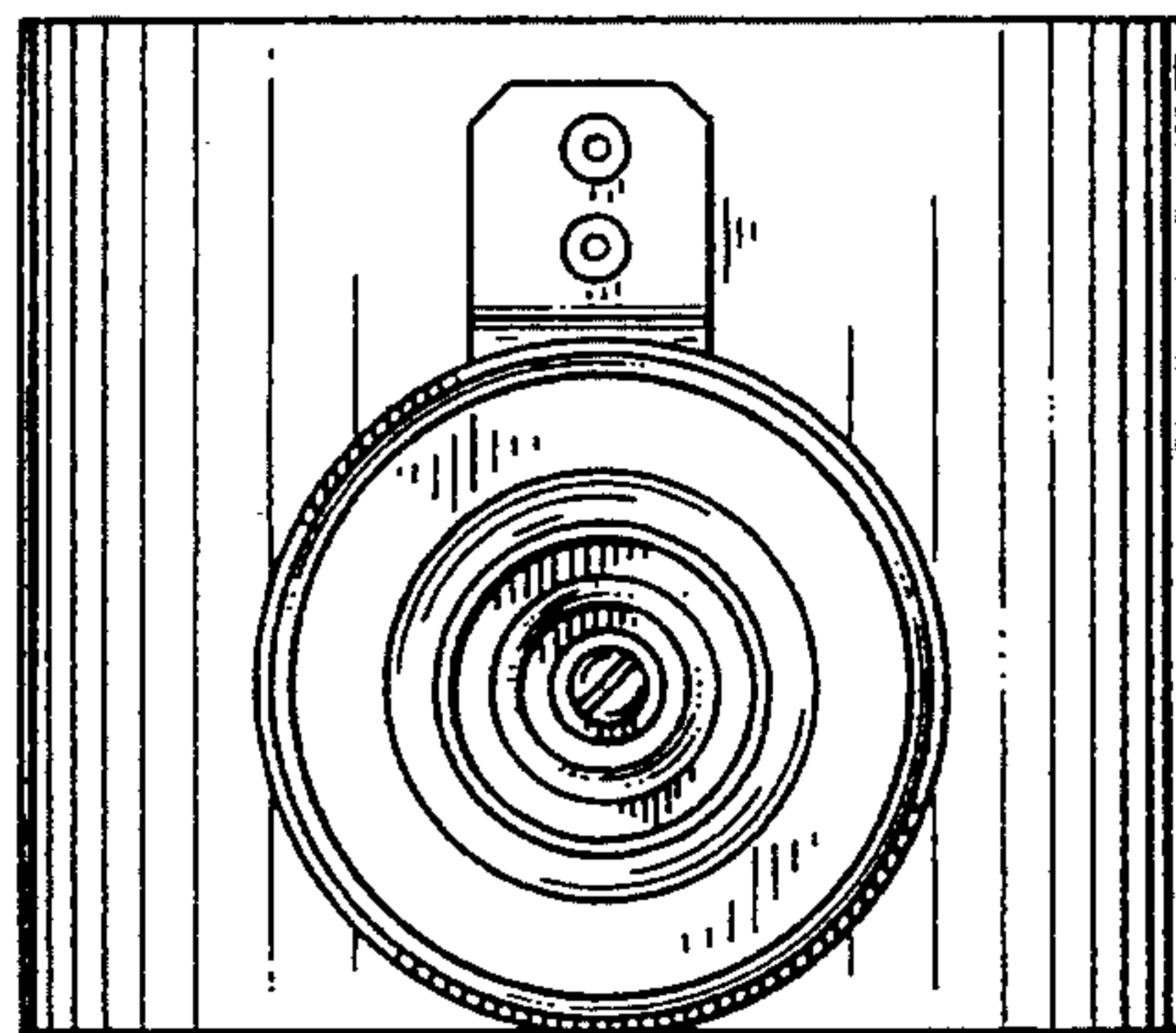


Fig.-3

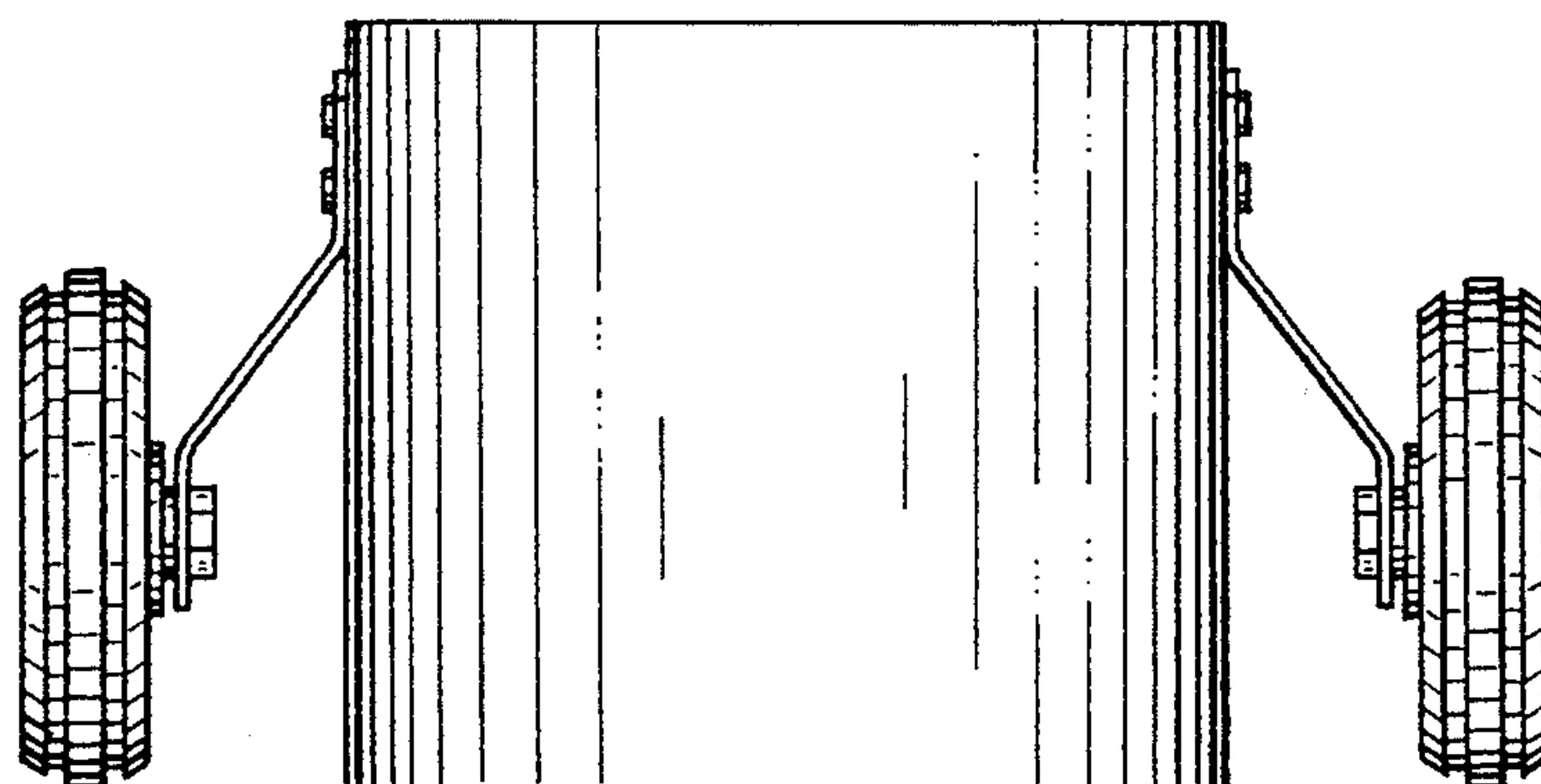


Fig.-4

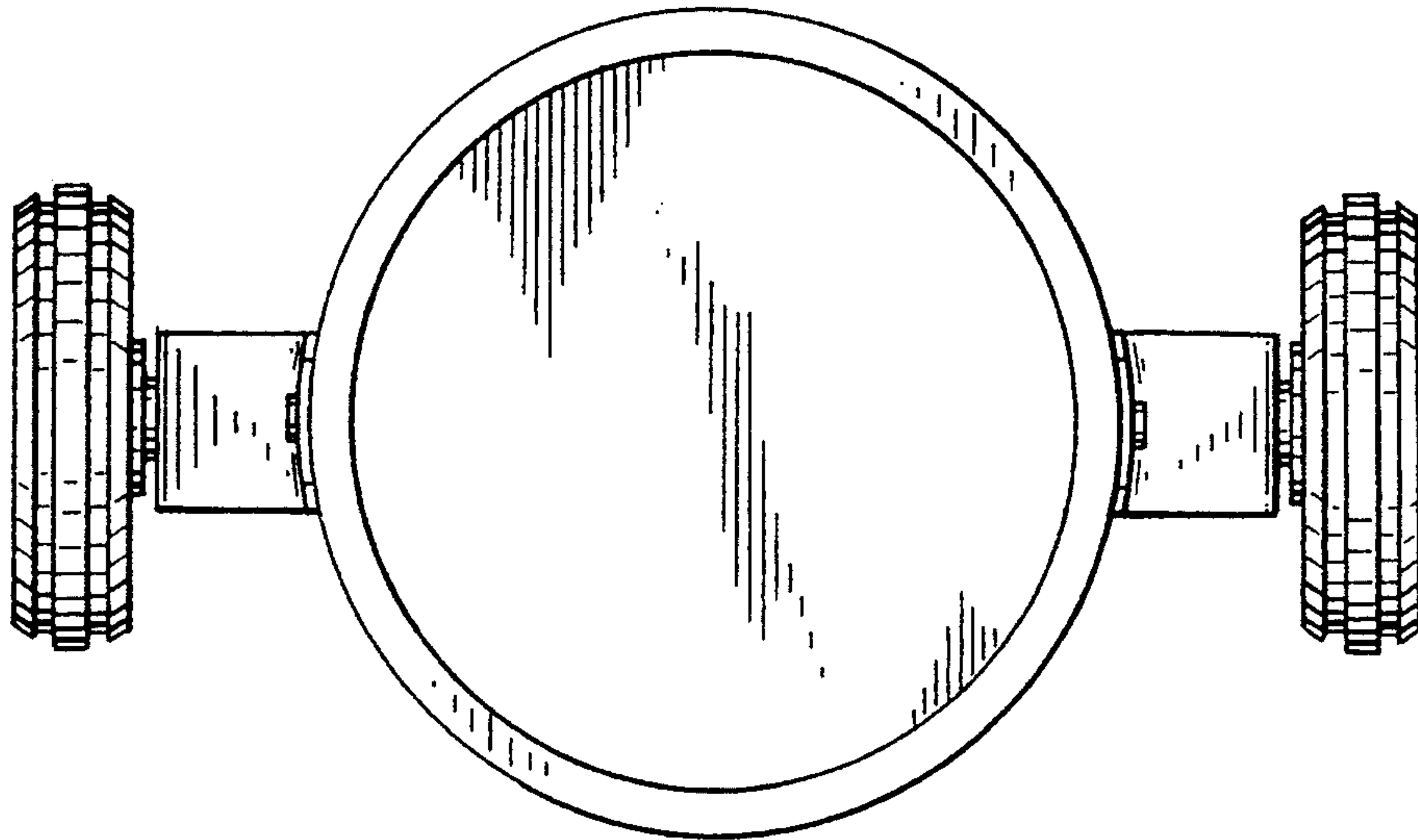


Fig.-5

