



US00D350876S

United States Patent [19]

[11] Patent Number: **Des. 350,876**

VanValkenburg et al.

[45] Date of Patent: **** Sep. 27, 1994**

[54] **DRY FOOD STORAGE CONTAINER**

[75] Inventors: **Terry L. VanValkenburg**, Elk River, Minn.; **Bradley W. Andress**, Hudson, Wis.; **Gregg M. Davis**; **John W. Koenig**, both of Columbus, Ohio

[73] Assignee: **Plastics, Inc.**, St. Paul, Minn.

[**] Term: **14 Years**

[21] Appl. No.: **6,054**

[22] Filed: **Mar. 22, 1993**

[52] U.S. Cl. **D7/612; D7/629**

[58] Field of Search **D7/510, 612-614, D7/591, 629; D9/366, 425, 449; 220/212, 253, 352, 353, 331, 675, 334**

[56] **References Cited**

U.S. PATENT DOCUMENTS

- D. 284,728 7/1986 Trivison D7/629
- D. 313,555 1/1991 Jordi D9/424
- 4,260,069 4/1981 Juergens D7/612 X

Primary Examiner—Terry A. Wallace

Attorney, Agent, or Firm—Baker & McKenzie

[57] **CLAIM**

The ornamental design for a dry food storage container, as shown and described.

DESCRIPTION

FIG. 1 is a side elevational view of a dry food storage container showing our new design, the opposite side being a mirror image;

FIG. 2 is a top plan view thereof;

FIG. 3 is a front elevational view thereof;

FIG. 4 is a rear elevational view thereof;

FIG. 5 is a bottom plan view thereof;

FIG. 6 is a side elevational view of an alternate embodiment of FIG. 1, the opposite side being a mirror image;

FIG. 7 is a top plan view of FIG. 6;

FIG. 8 is a front elevational view of FIG. 6;

FIG. 9 is a rear elevational view of FIG. 6;

FIG. 10 is a bottom plan view of FIG. 6;

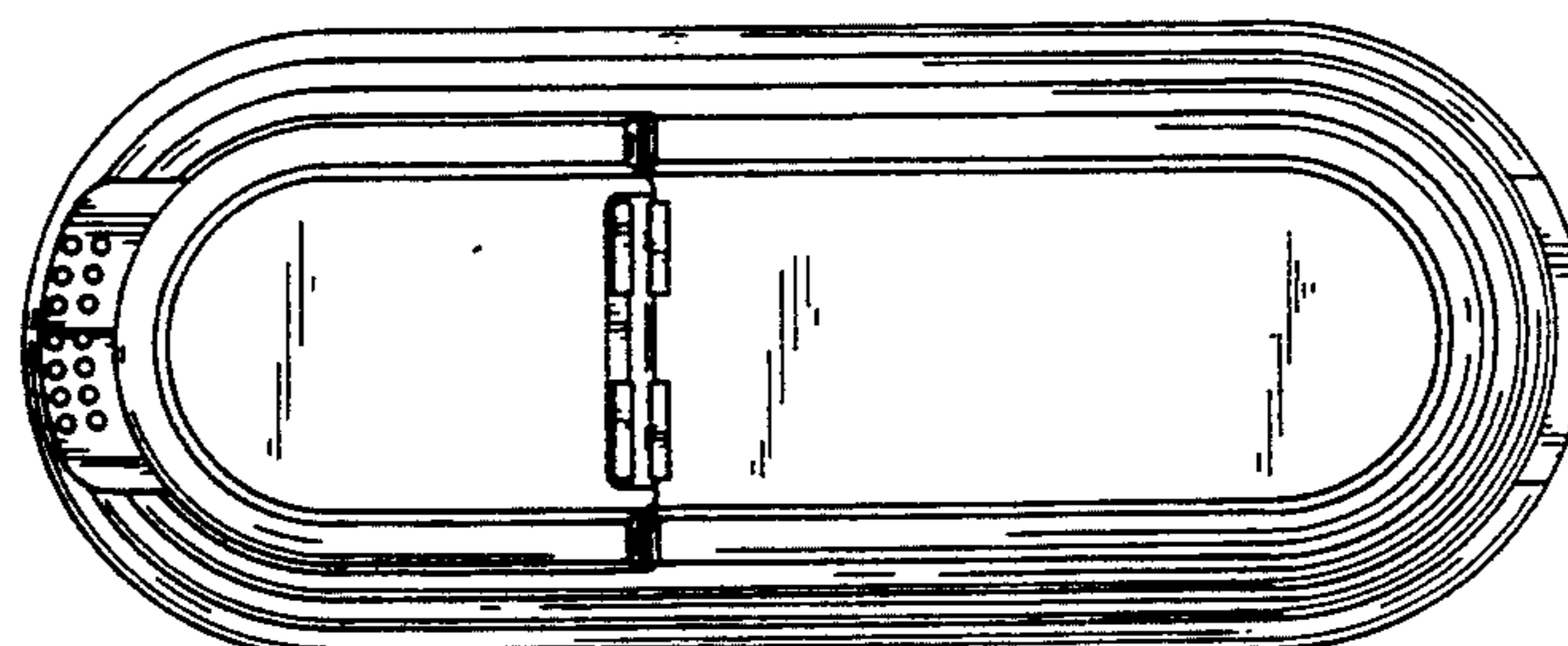
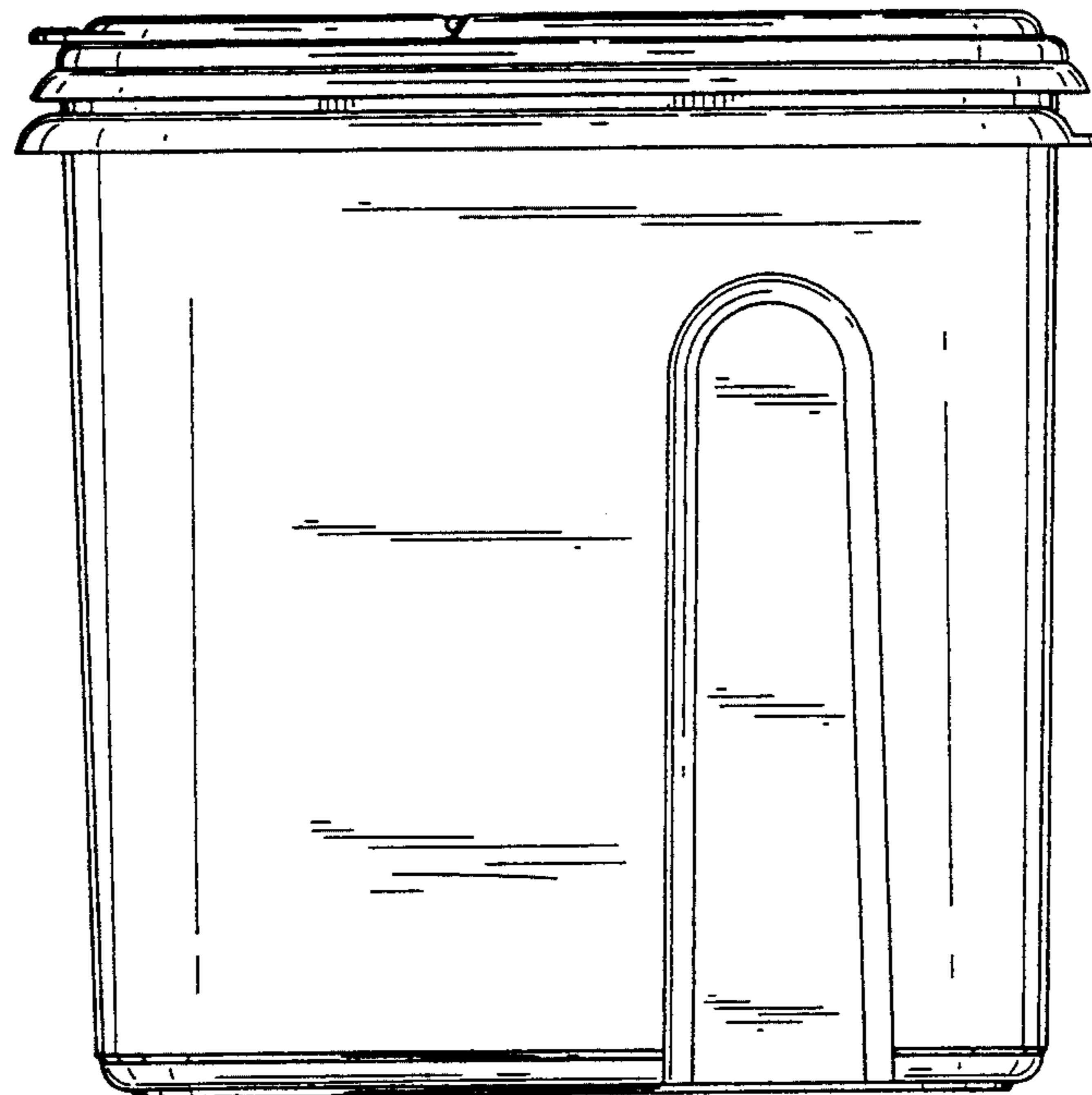
FIG. 11 is a side elevational view of an alternate embodiment of FIG. 1;

FIG. 12 is a top plan view of FIG. 11;

FIG. 13 is a front elevational view of FIG. 11;

FIG. 14 is a rear elevational view of FIG. 11; and,

FIG. 15 is a bottom plan view of FIG. 11.



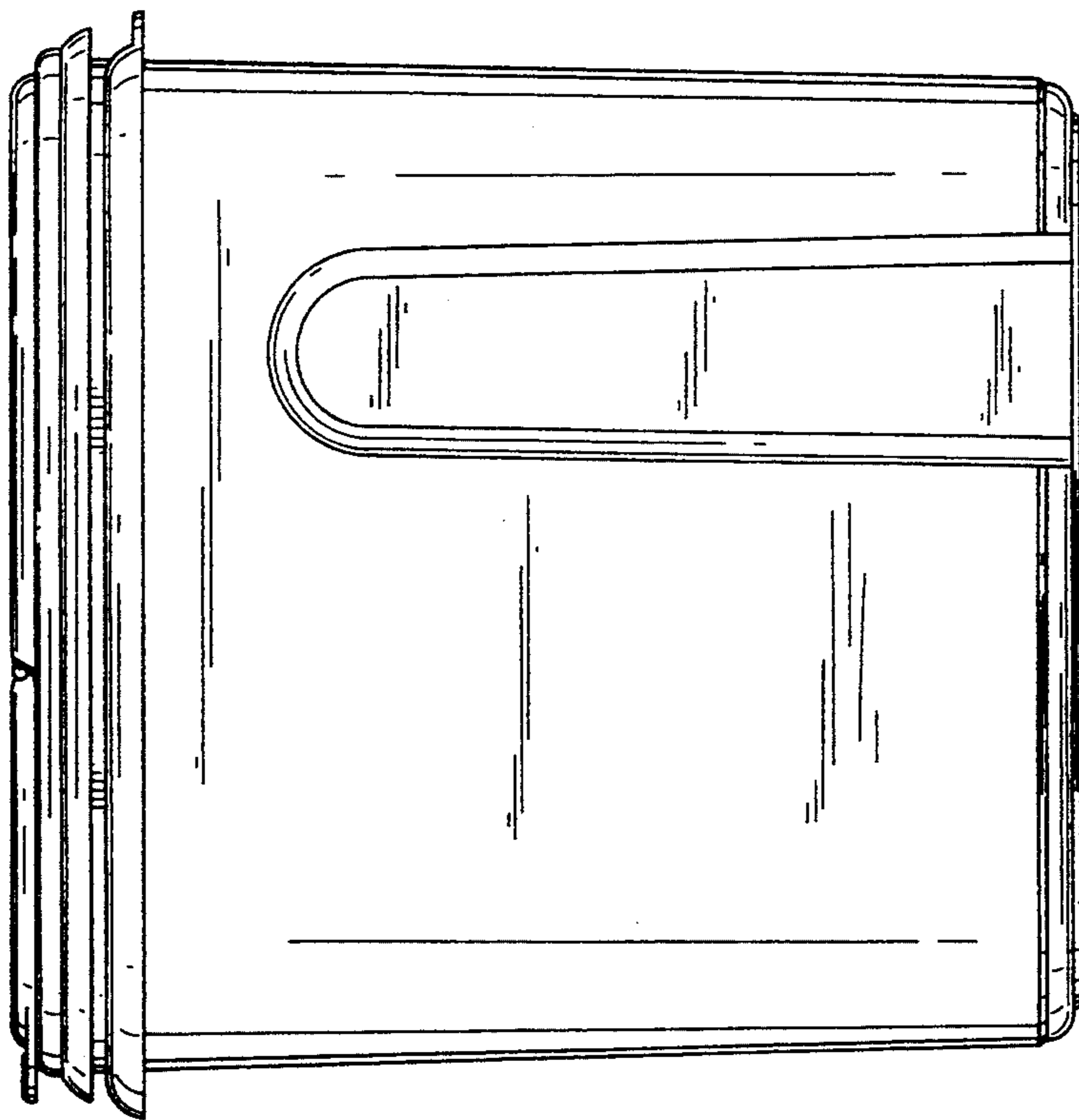


FIG. 1

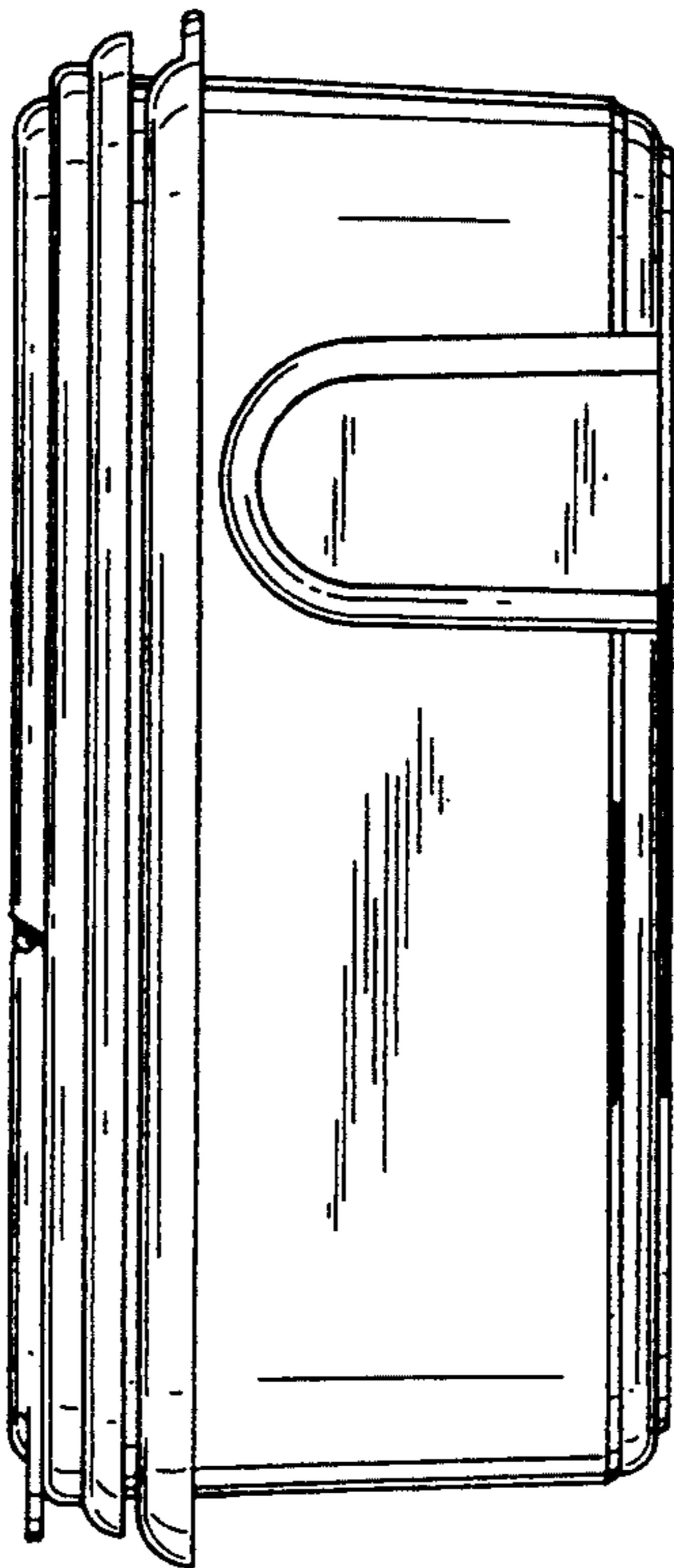


FIG. 6

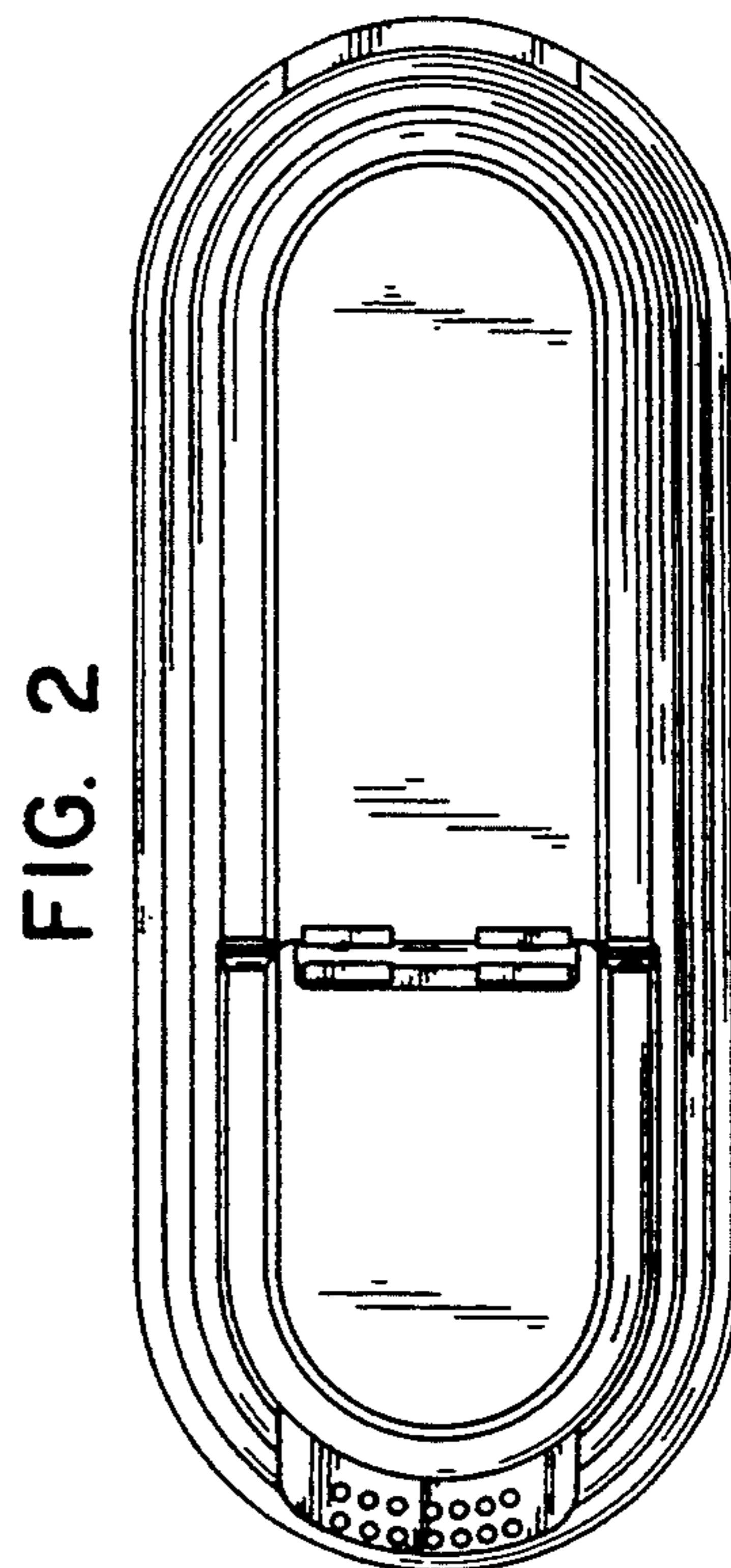


FIG. 2

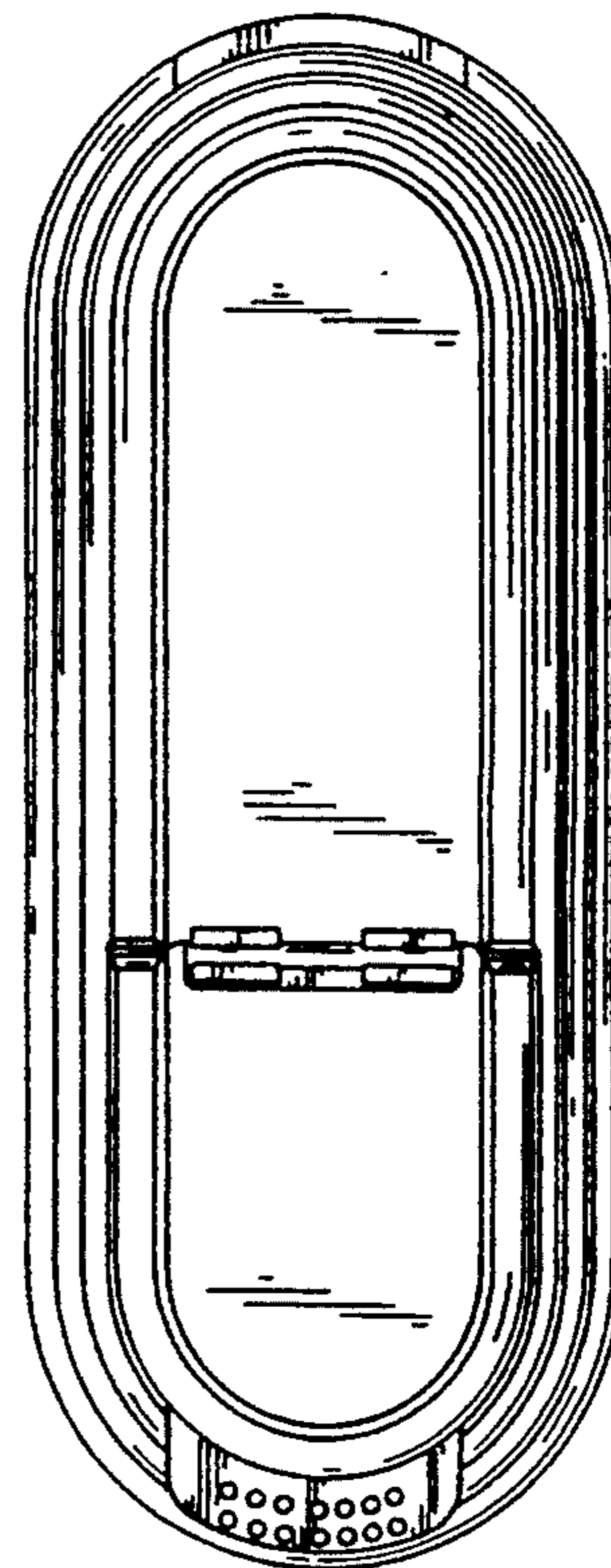


FIG. 7

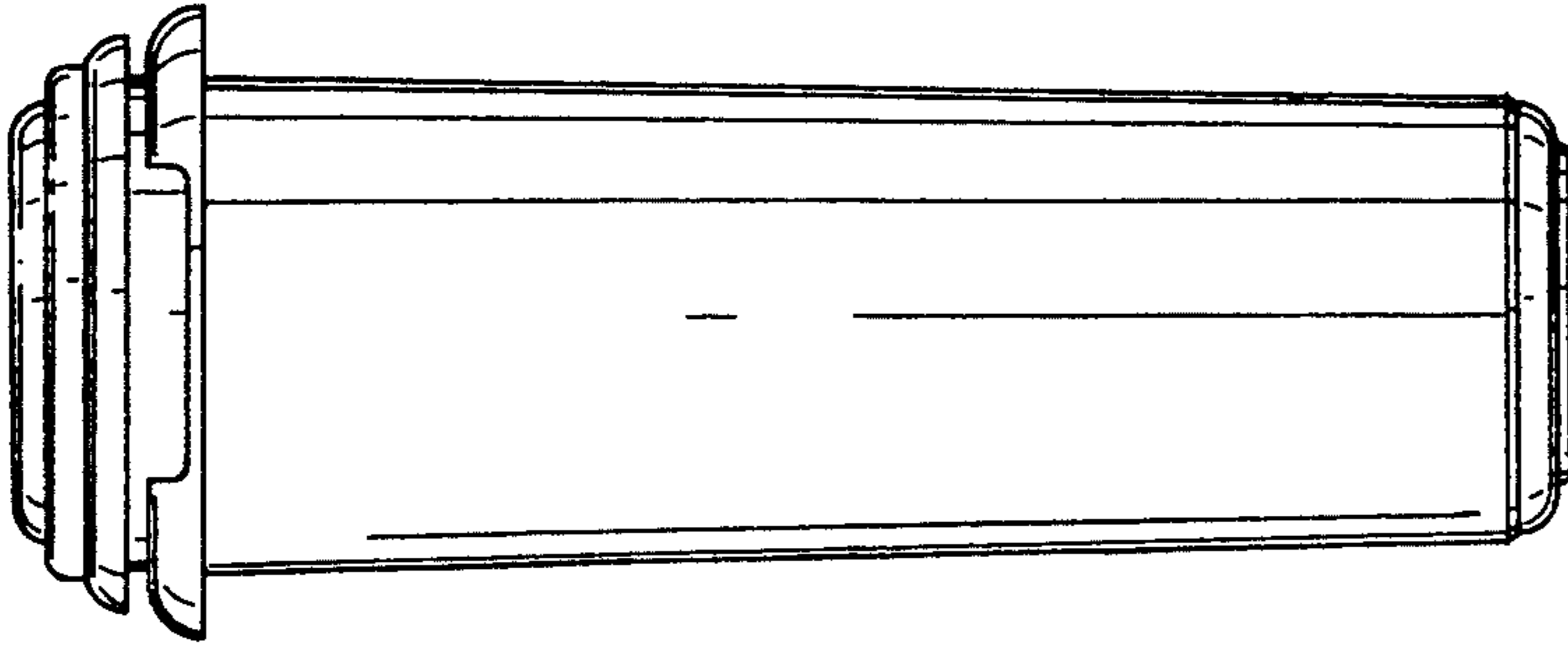


FIG. 4

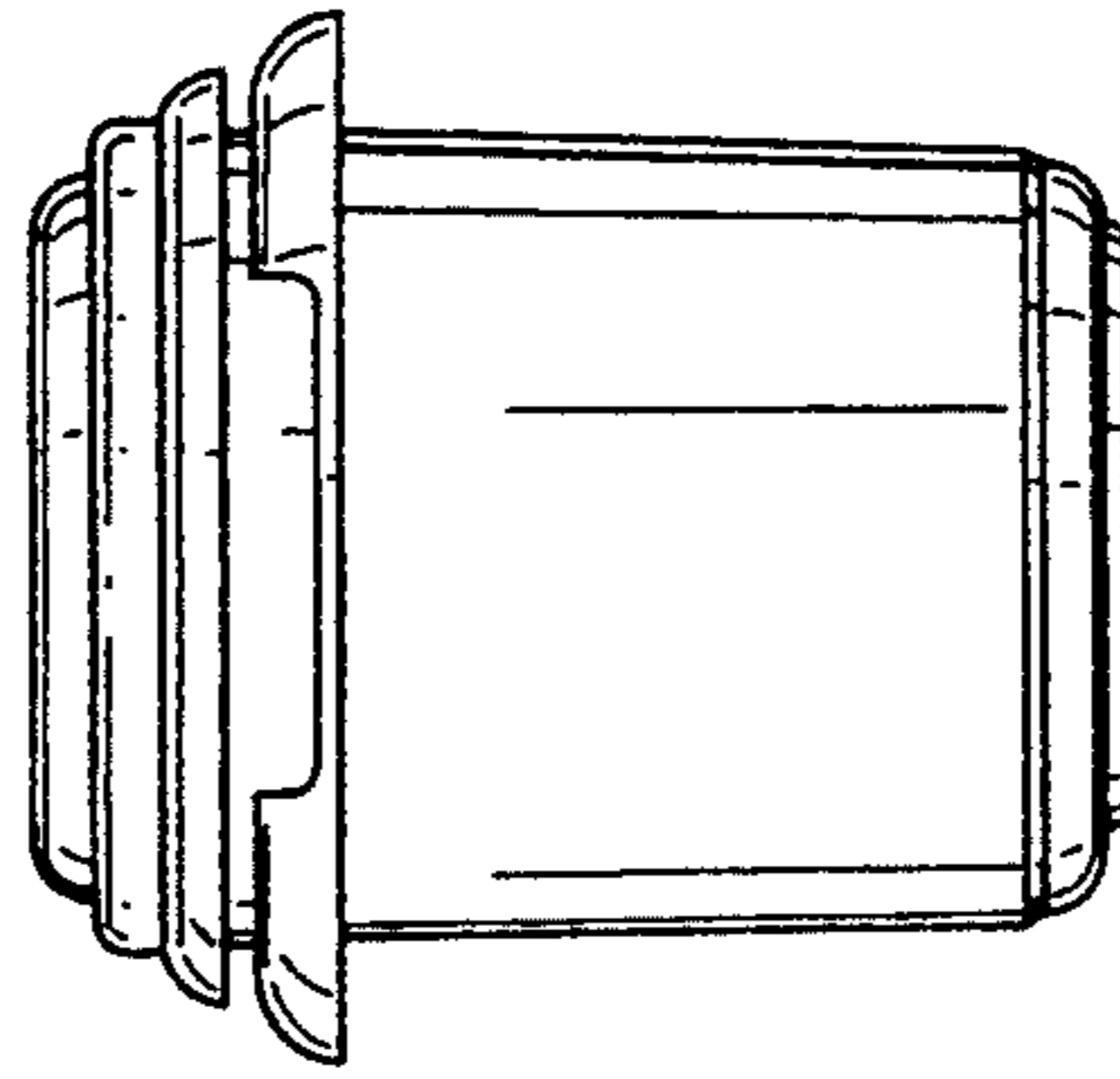


FIG. 9

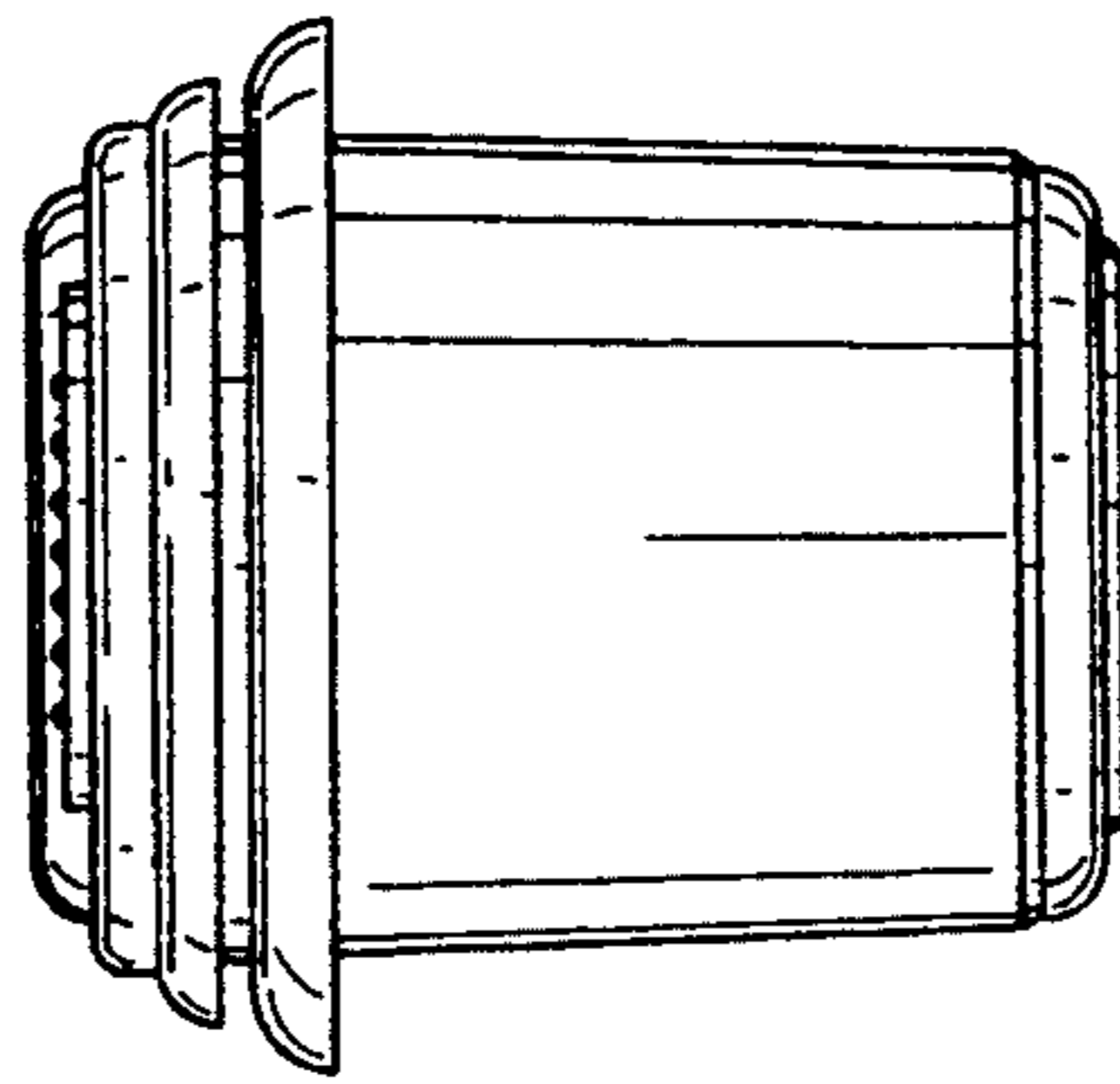


FIG. 8

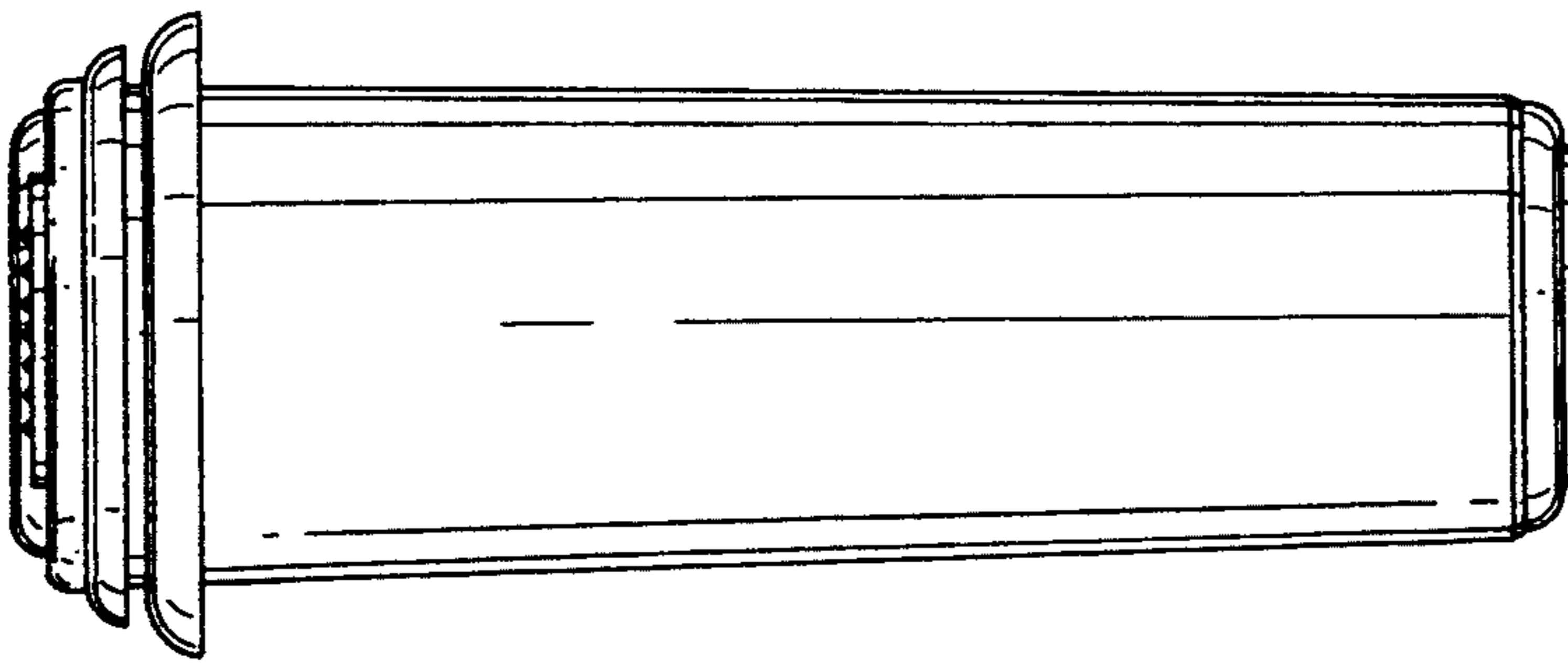


FIG. 3

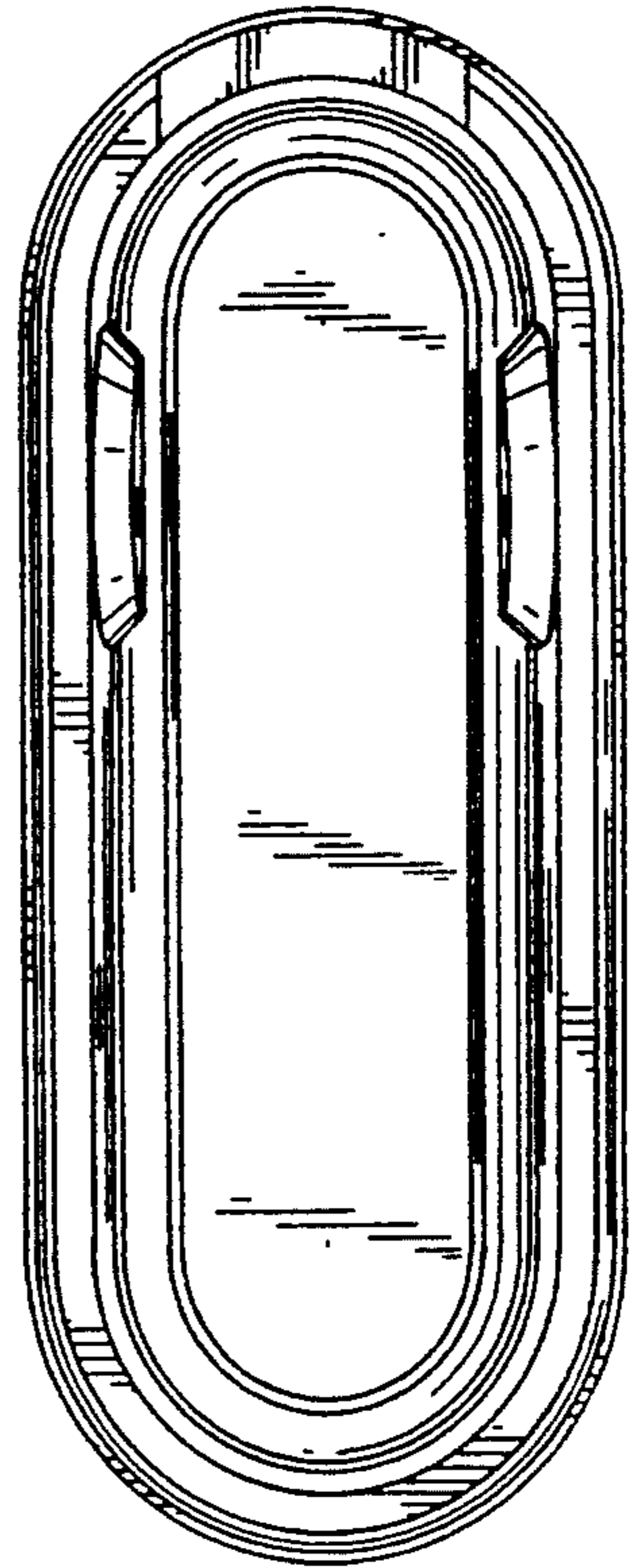


FIG. 10

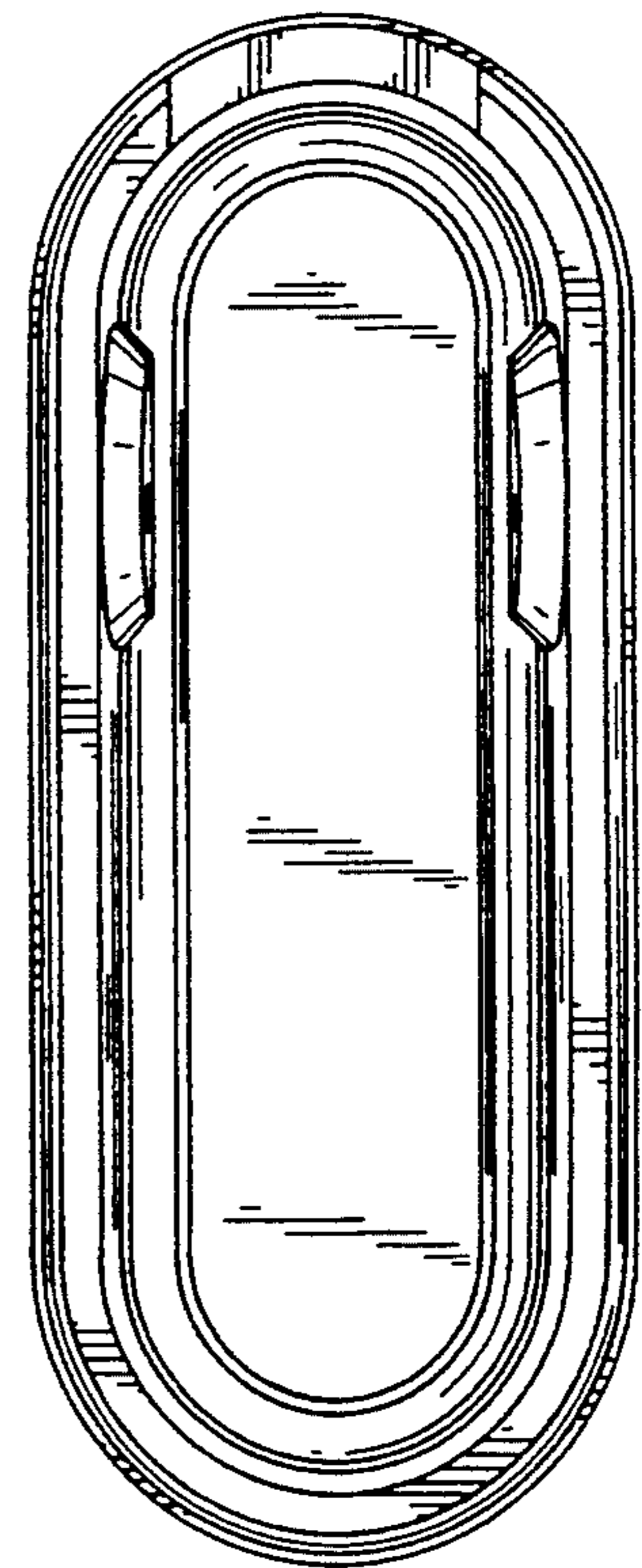


FIG. 5

FIG. 11

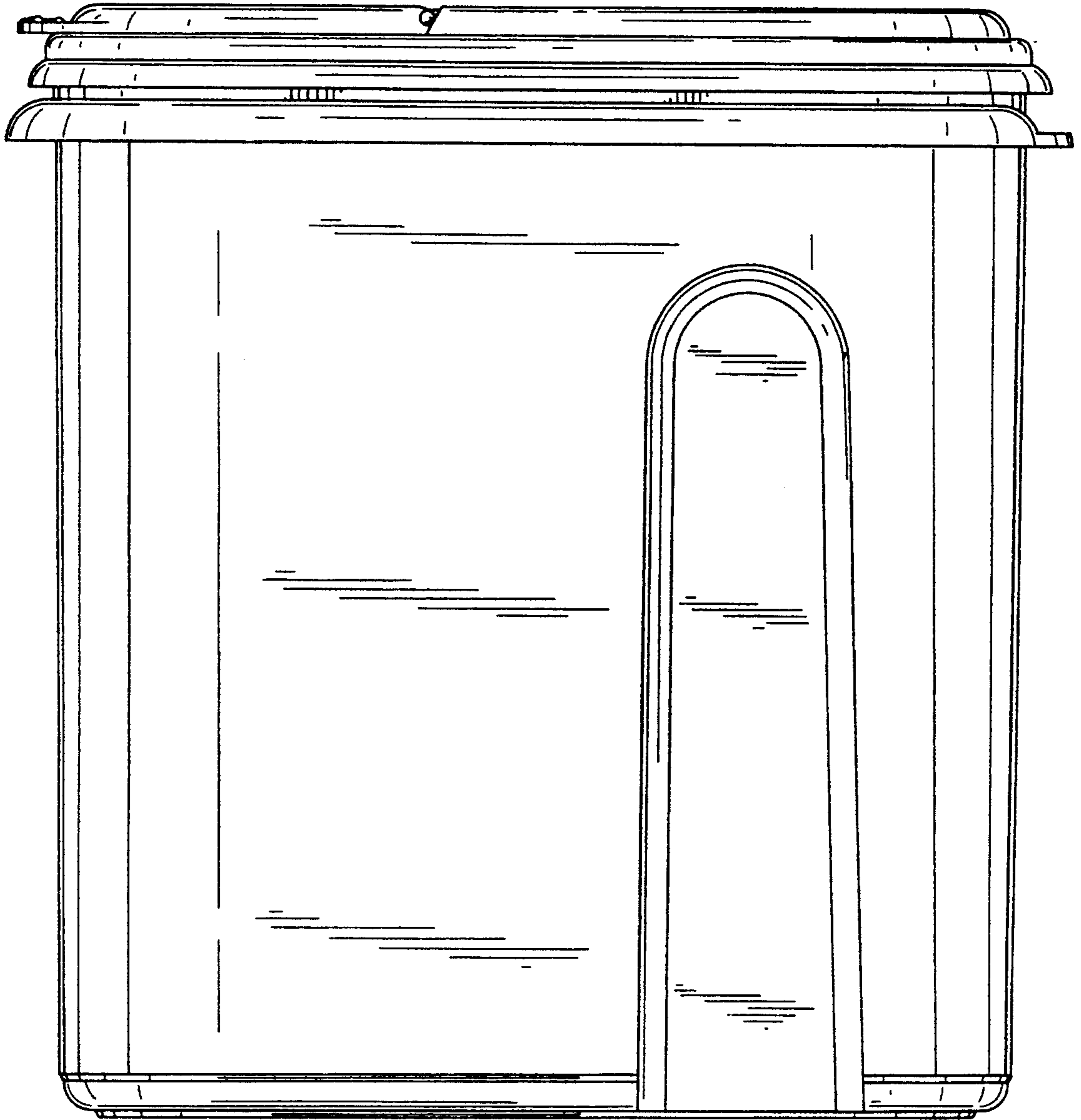


FIG. 12

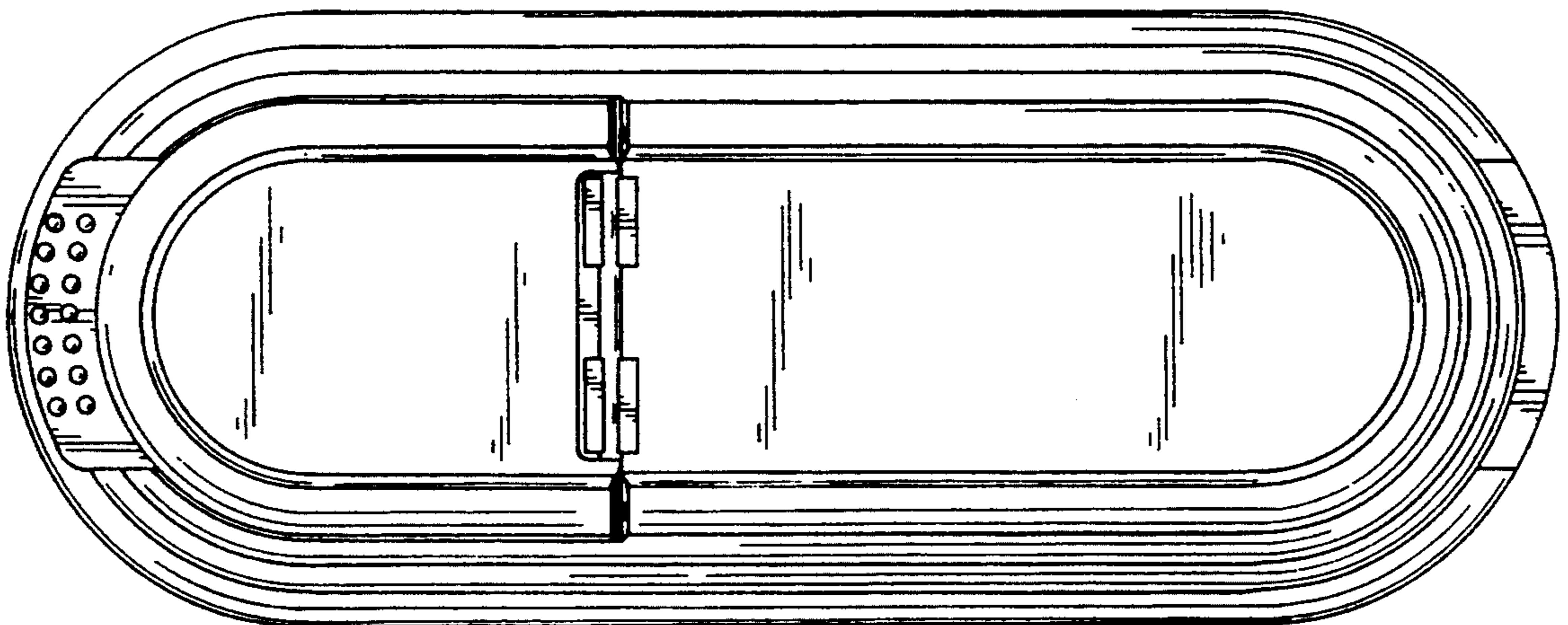


FIG. 13

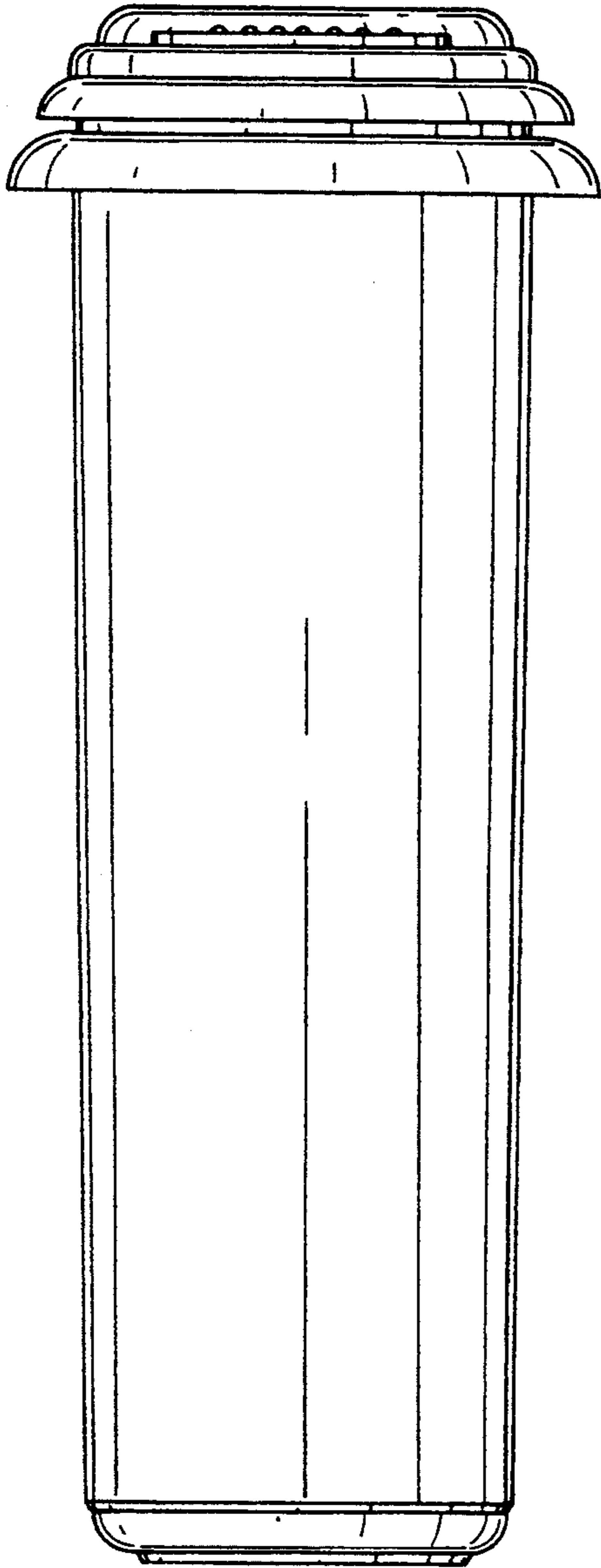


FIG. 14

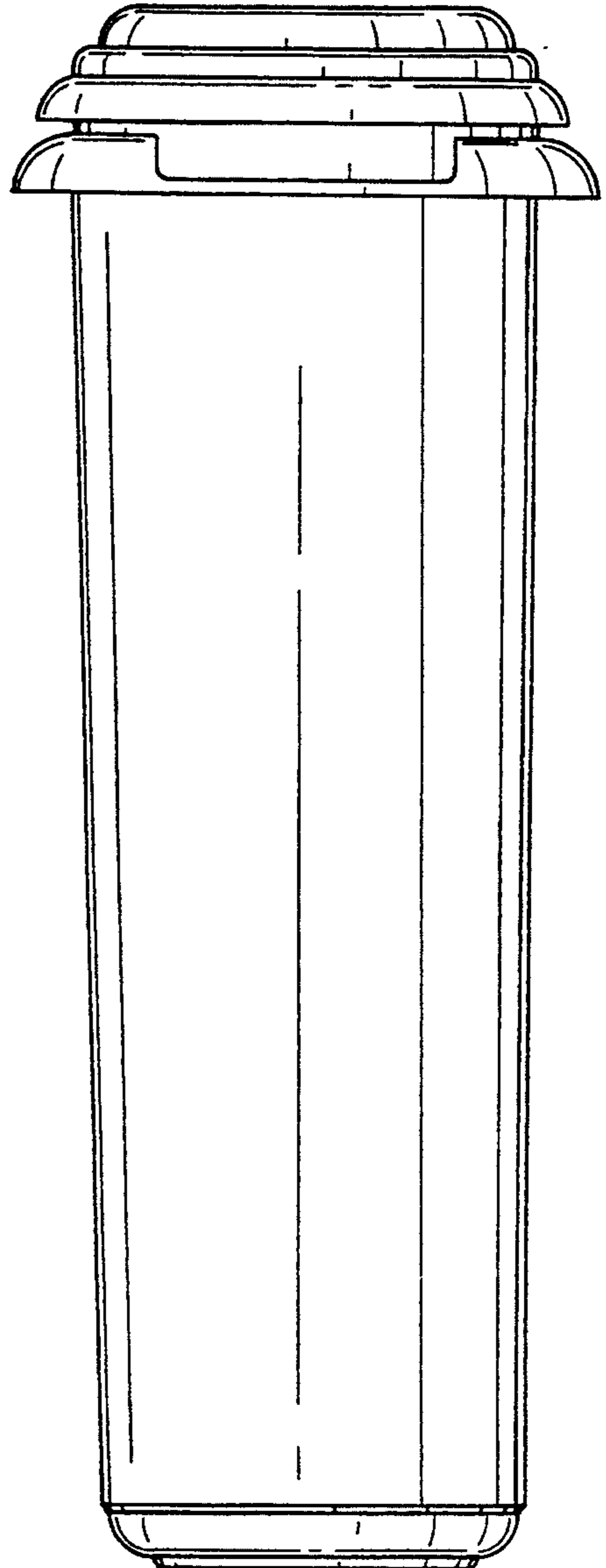


FIG. 15

