



US00D350874S

United States Patent [19]
Gowin

[11] **Patent Number: Des. 350,874**
[45] **Date of Patent: ** Sep. 27, 1994**

[54] **COOLER**
[76] **Inventor: Charles E. Gowin, 1730 Bruton Rd.,
Balch Springs, Tex. 75180**
[**] **Term: 14 Years**
[21] **Appl. No.: 920,044**
[22] **Filed: Jul. 27, 1992**
[52] **U.S. Cl. D7/606; D3/232**
[58] **Field of Search D7/605-606;
D3/42, 43, 52; 62/457.1, 457.6, 457.7; 190/100,
113, 115, 117; 383/110**

1,374,126 4/1921 Walteiz 190/117 X
2,289,254 7/1942 Eagles 383/110 X
2,960,136 11/1960 Ziff 383/110 X

Primary Examiner—Terry A. Wallace
Attorney, Agent, or Firm—Timmons & Kelly

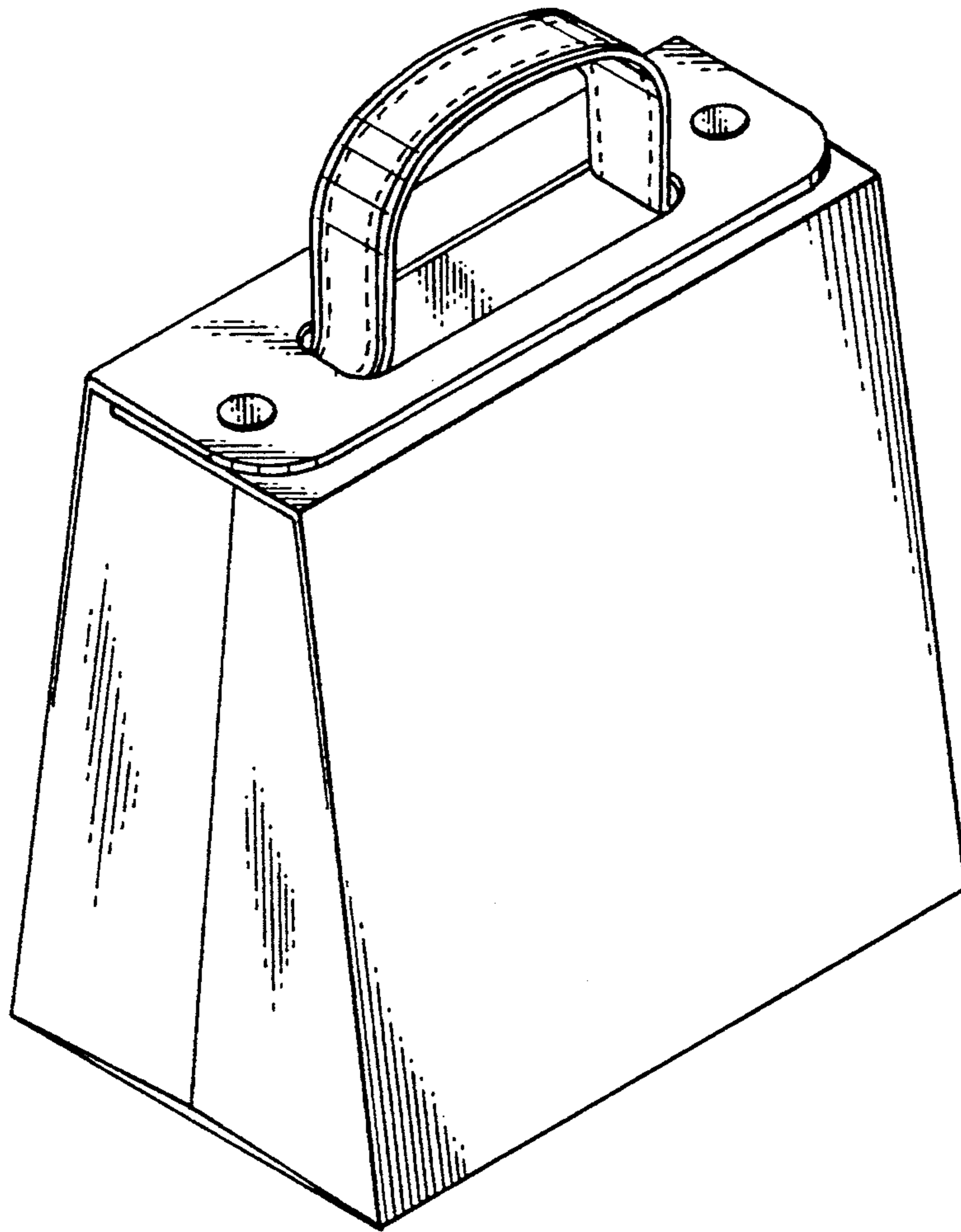
[57] **CLAIM**

The ornamental design for a cooler, as shown and described.

DESCRIPTION

FIG. 1 is a front left perspective view of a cooler showing my new design;
FIG. 2 is a rear elevational view thereof;
FIG. 3 is a right side elevational view thereof;
FIG. 4 is a top plan view thereof; and,
FIG. 5 is a bottom plan view thereof.

[56] **References Cited**
U.S. PATENT DOCUMENTS
D. 328,550 8/1992 Mogil et al. D7/605



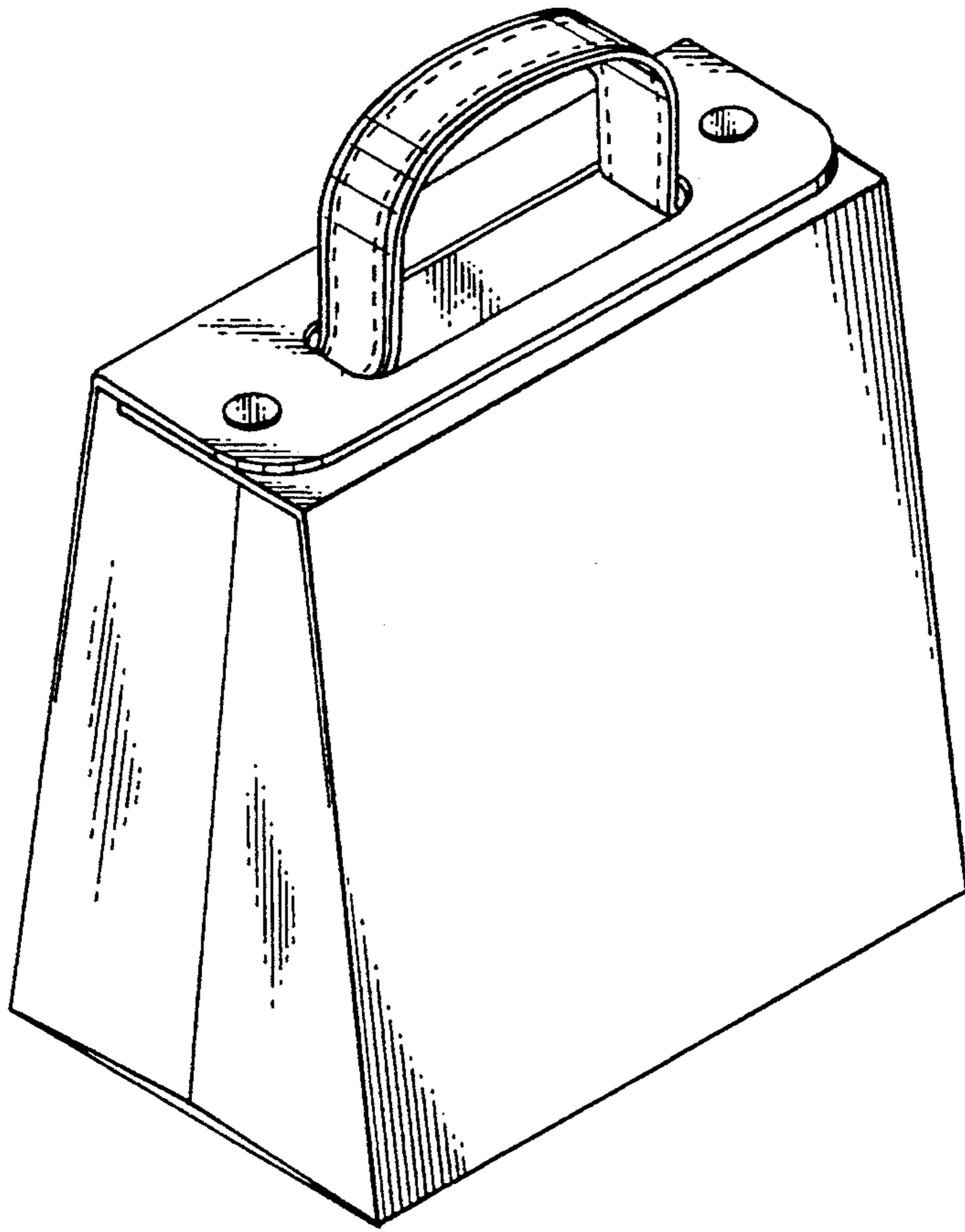


Fig. 1

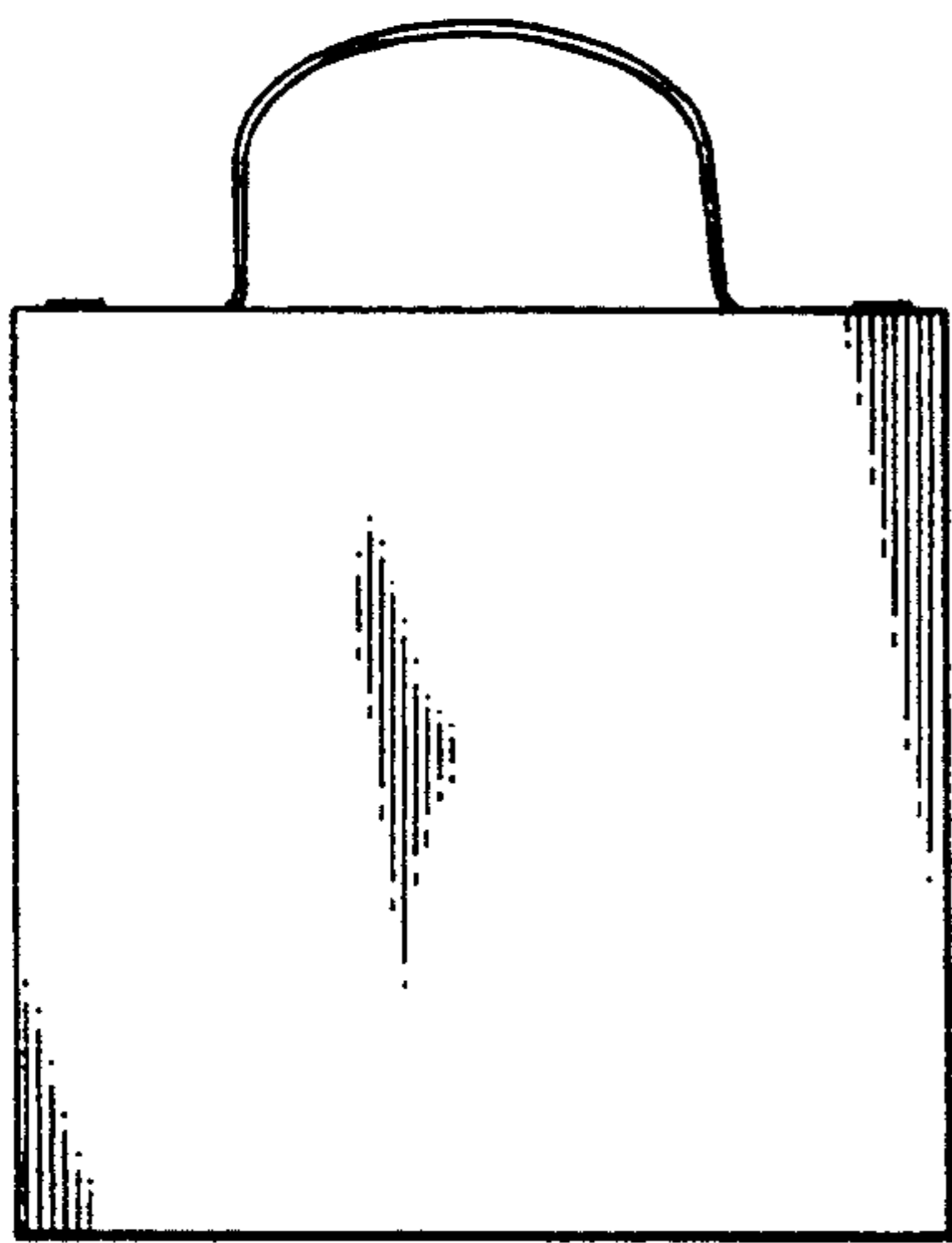


Fig. 2

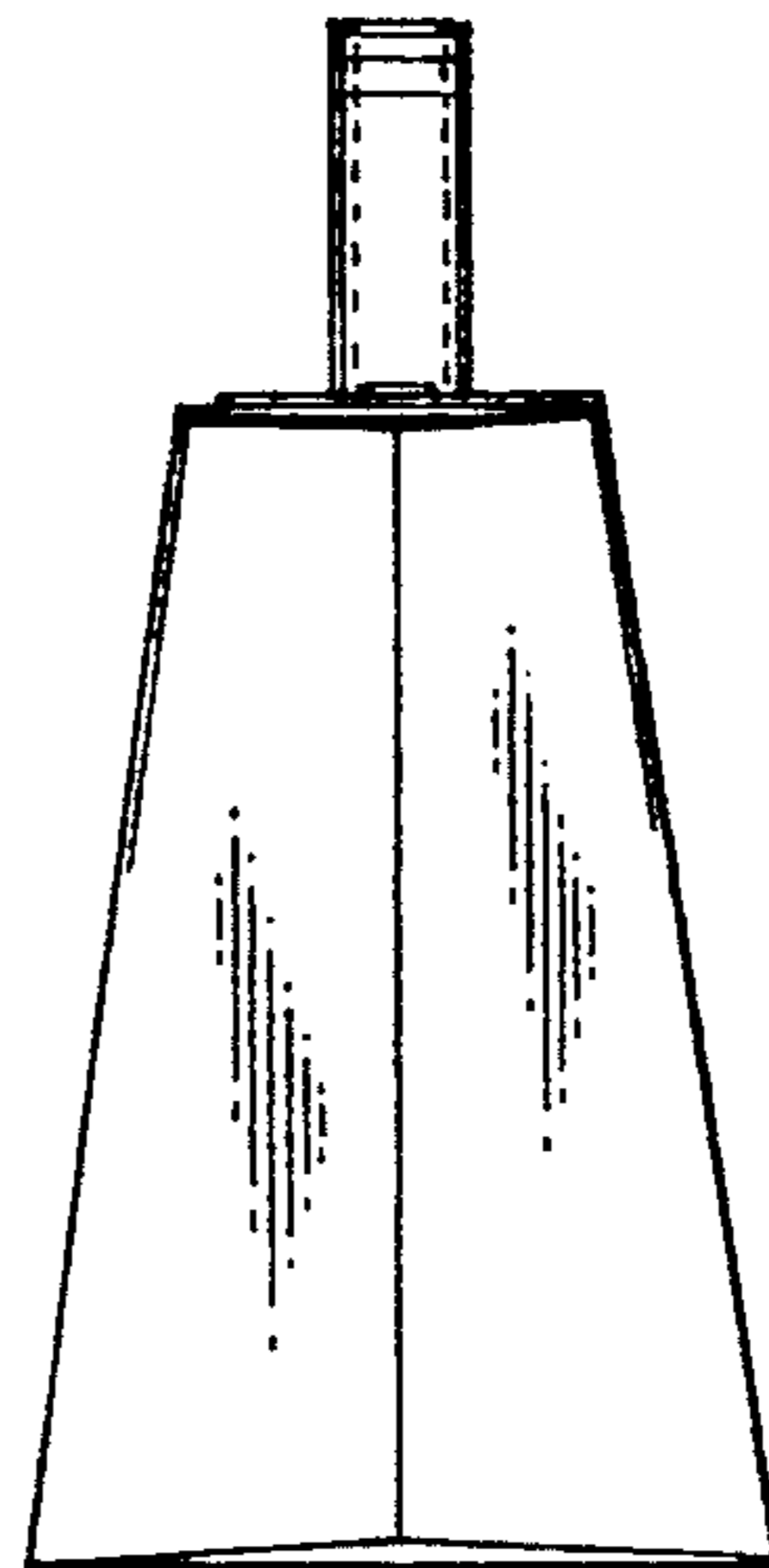


Fig. 3

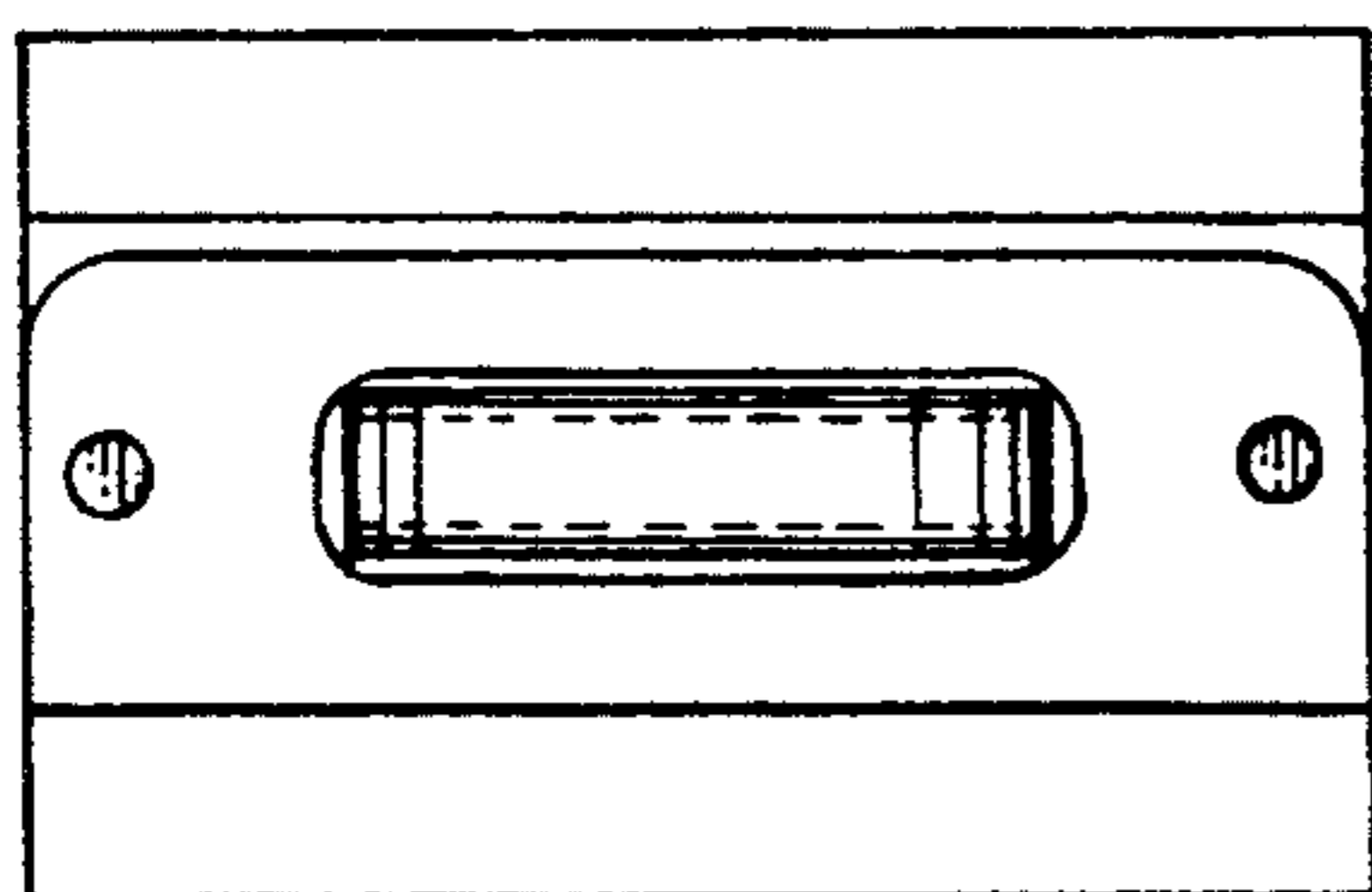


Fig. 4

Fig. 5

