



US00D350872S

United States Patent [19] Zeller

[11] Patent Number: **Des. 350,872**

[45] Date of Patent: **** Sep. 27, 1994**

[54] **HOT-BEVERAGE MAKER**

[76] Inventor: **Noel E. Zeller**, 630 S. Columbus Ave., Harrison, N.Y. 10551-4445

[**] Term: **14 Years**

[21] Appl. No.: **873,554**

[22] Filed: **Apr. 24, 1992**

[52] U.S. Cl. **D7/310; D7/305**

[58] Field of Search **D7/300, 319, 305, 308, D7/309, 310, 536, 509, 507; 99/279, 295**

[56] **References Cited**

U.S. PATENT DOCUMENTS

D. 70,228	5/1926	Johnson	D7/319
D. 247,277	2/1978	Andersen	D7/536
D. 254,109	2/1980	Price	D7/305 X
D. 286,848	11/1986	Levin	D7/319 X
D. 306,246	2/1990	Rauch	D7/310 X
D. 309,401	7/1990	Lombardi	D7/507
D. 335,421	5/1993	Glassen	D7/310 X
4,674,400	6/1987	Rondel et al.	D7/309 X
4,704,954	11/1987	Mollenhoff	D7/309 X
4,748,901	6/1988	Burmeister	D7/309 X
4,793,246	12/1988	Barradas	99/279

OTHER PUBLICATIONS

West Bend Travel Caddy HFD Jan. 16, 1989 Insert p. 4.

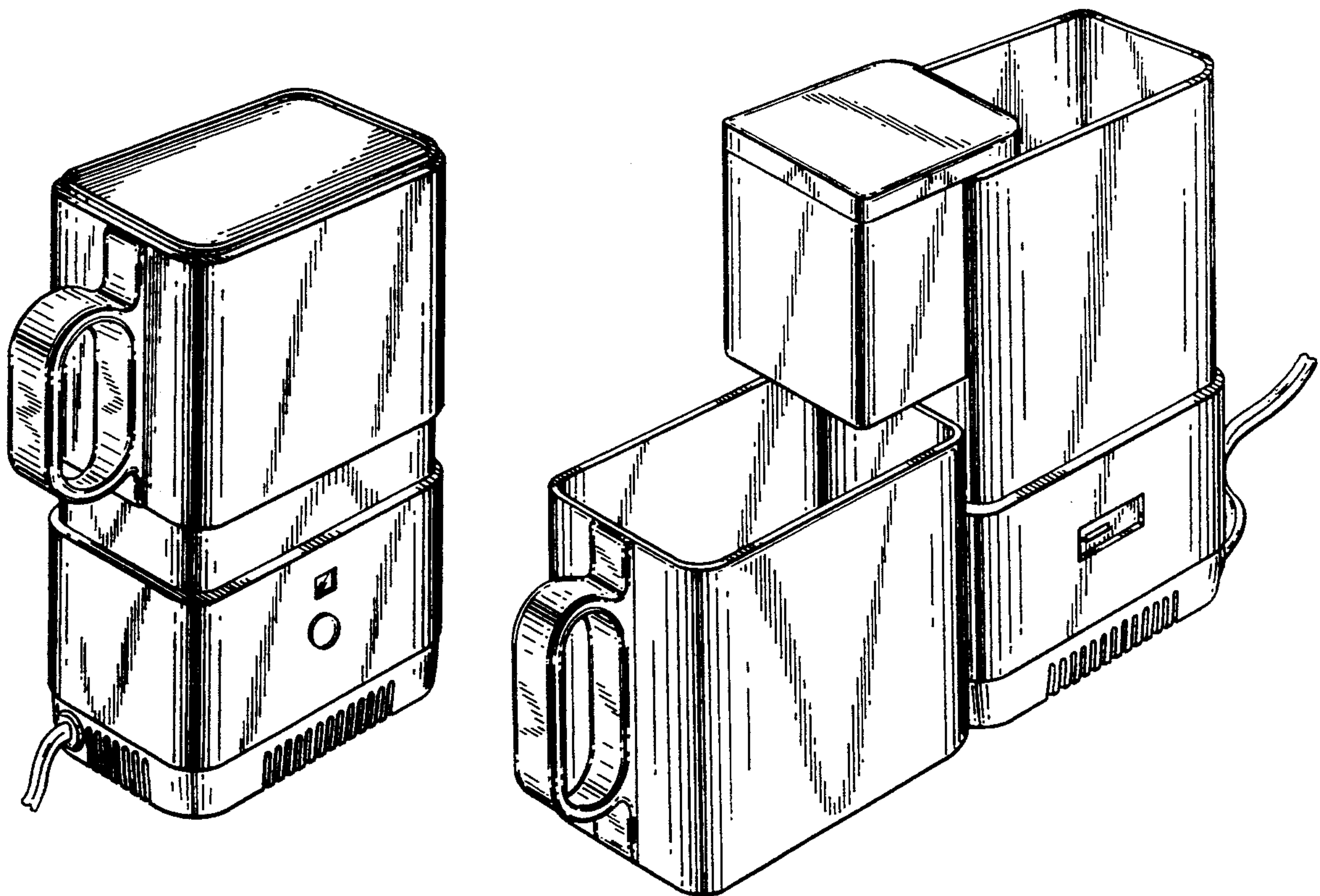
Primary Examiner—Alan P. Douglas
Assistant Examiner—M. N. Pandozzi
Attorney, Agent, or Firm—Donald S. Dowden

[57] **CLAIM**

The ornamental design for a hot-beverage maker, as shown and described.

DESCRIPTION

FIG. 1 is a front view of a hot-beverage maker showing my new design in a configuration for storage;
 FIG. 2 is a left side view thereof;
 FIG. 3 is a right side view thereof;
 FIG. 4 is a rear view thereof;
 FIG. 5 is a top view thereof;
 FIG. 6 is a bottom view thereof;
 FIG. 7 is a perspective view thereof;
 FIG. 8 is a perspective view thereof with the cup removed for ease of illustration;
 FIG. 9 is a top plan view thereof;
 FIG. 10 is a top view of the cup element as omitted from FIGS. 8 and 9;
 FIG. 11 is an exploded perspective view of FIG. 8; the surfaces of the exploded elements not shown are plain and unornamented;
 FIG. 12 is a front view of the hot-beverage maker of FIG. 1 with various elements in an in use position; and,
 FIG. 13 is a perspective view thereof.



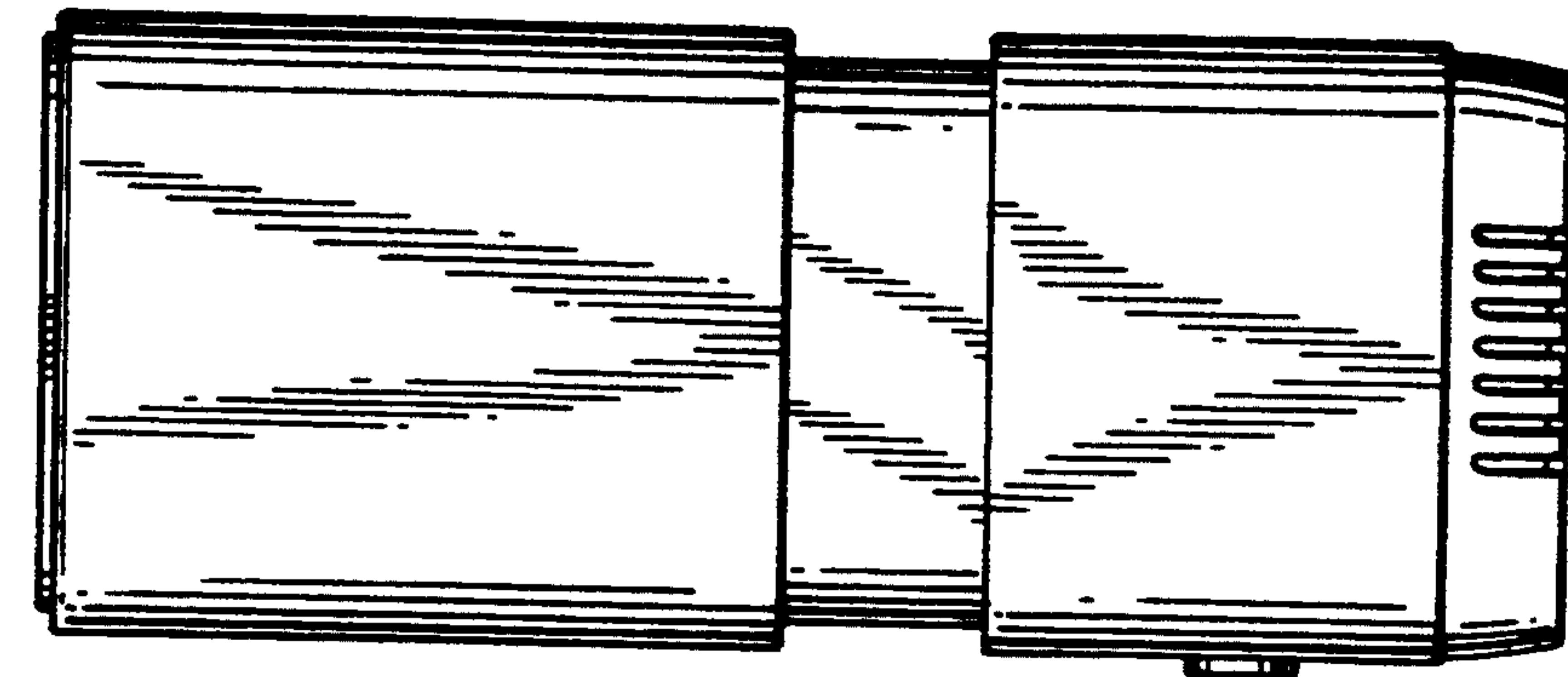


FIG. 3

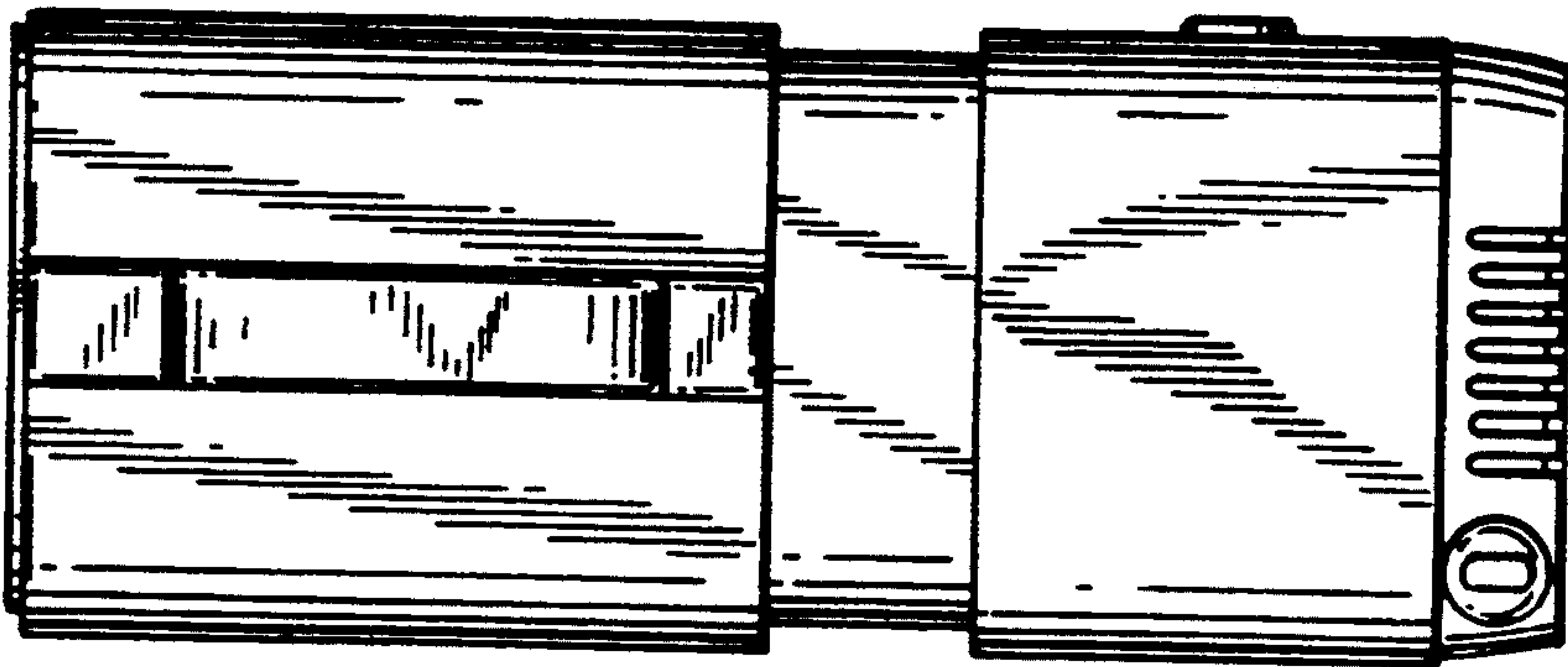


FIG. 2

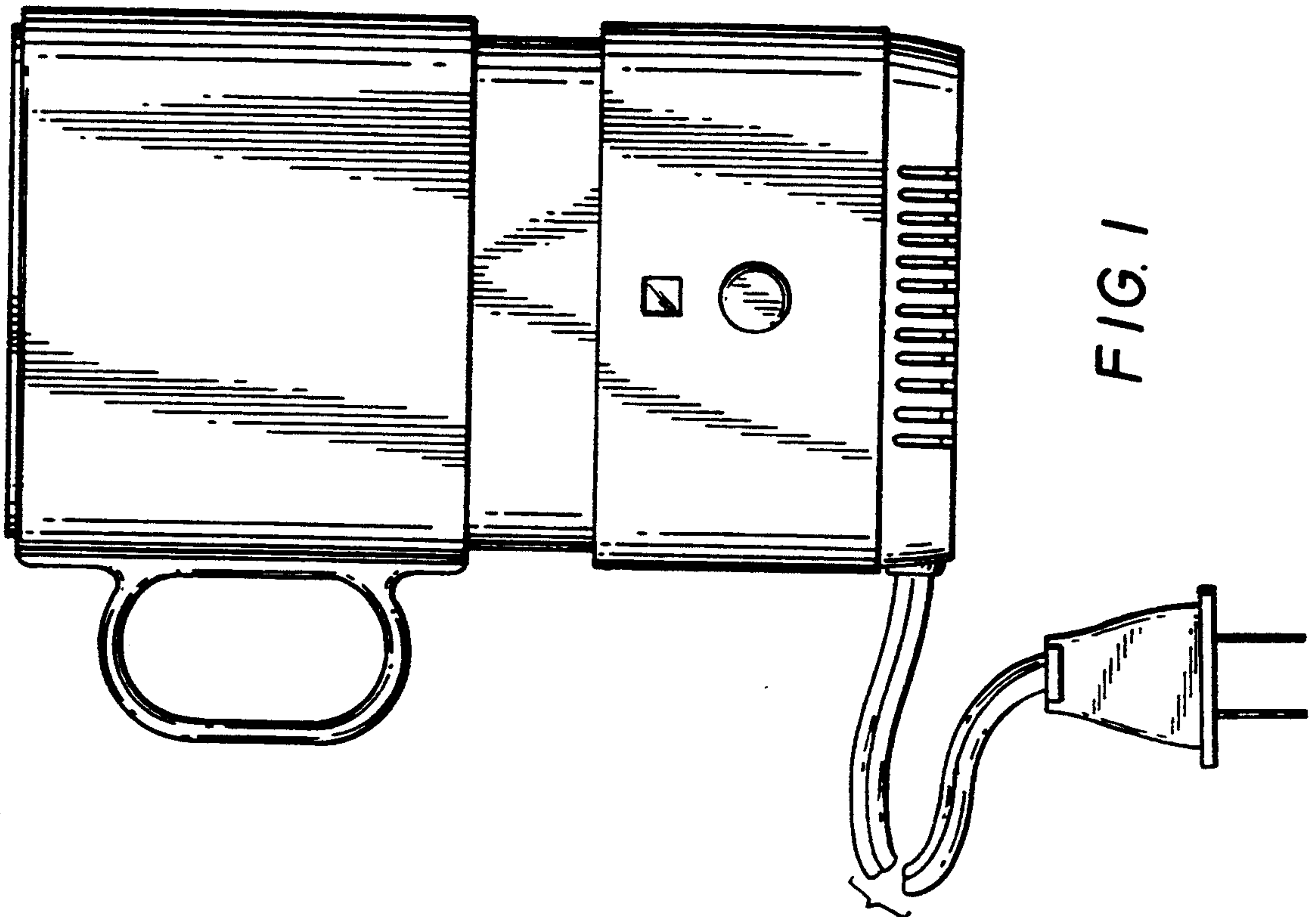


FIG. 1

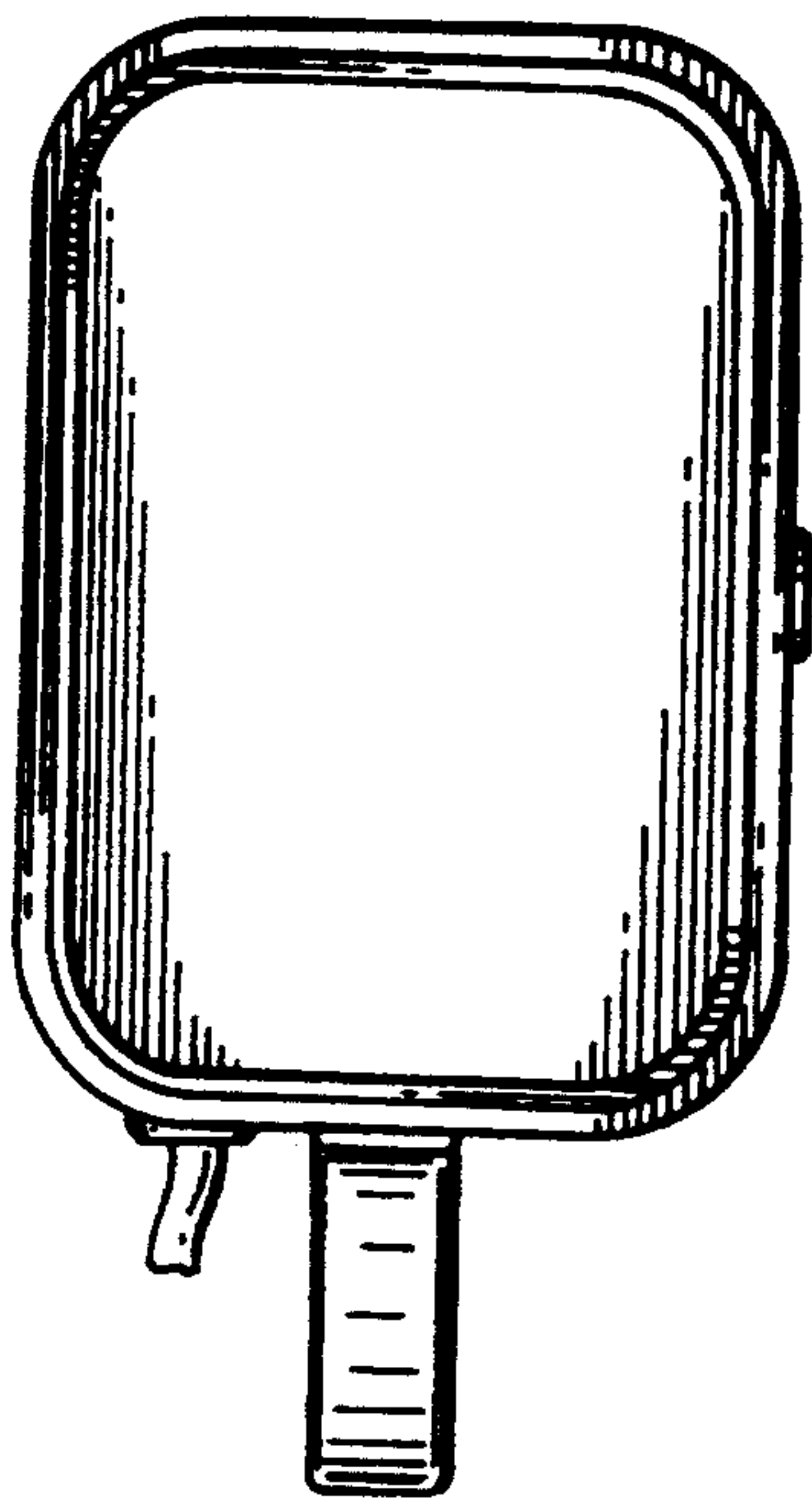


FIG. 5

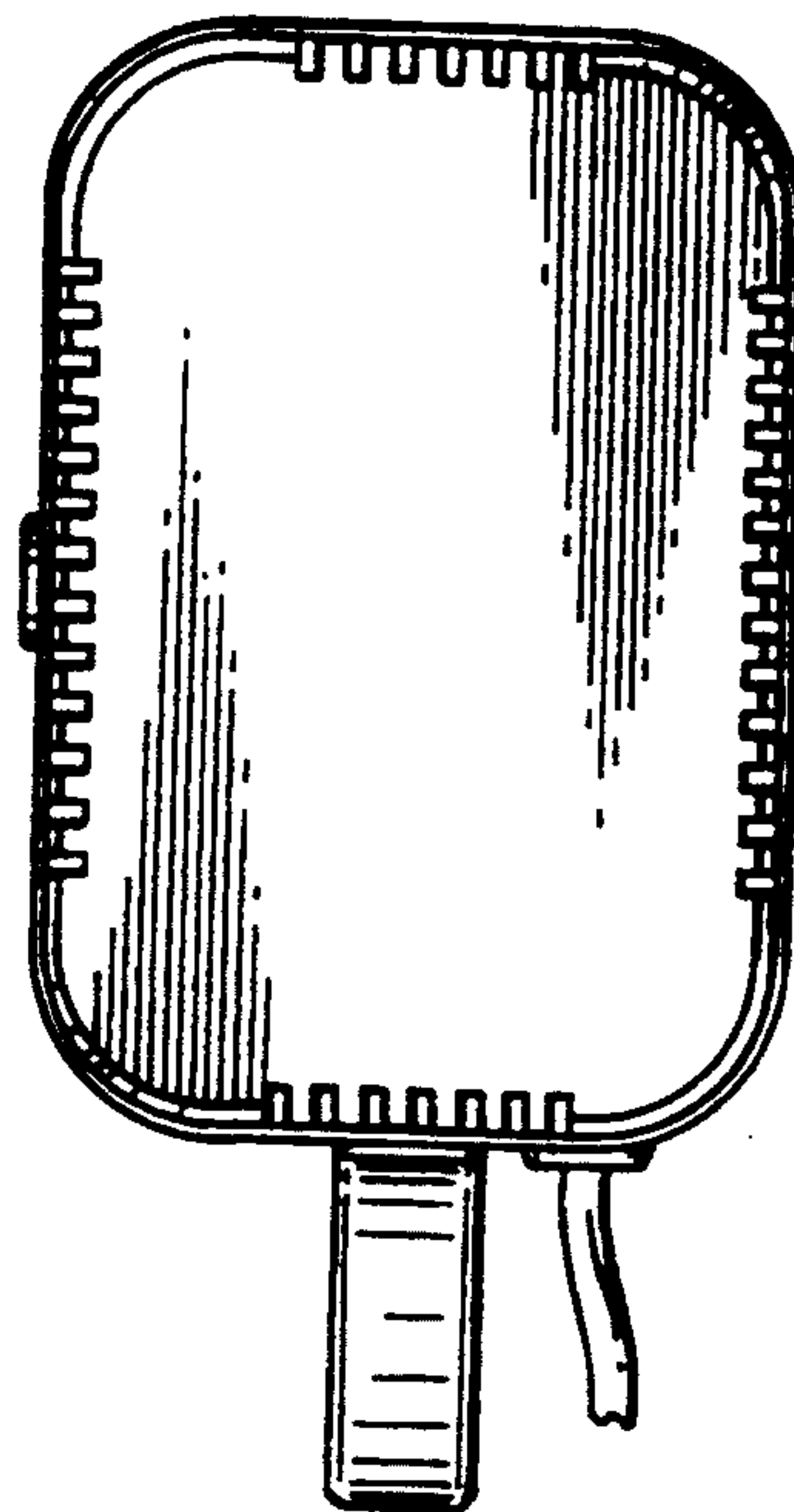


FIG. 6

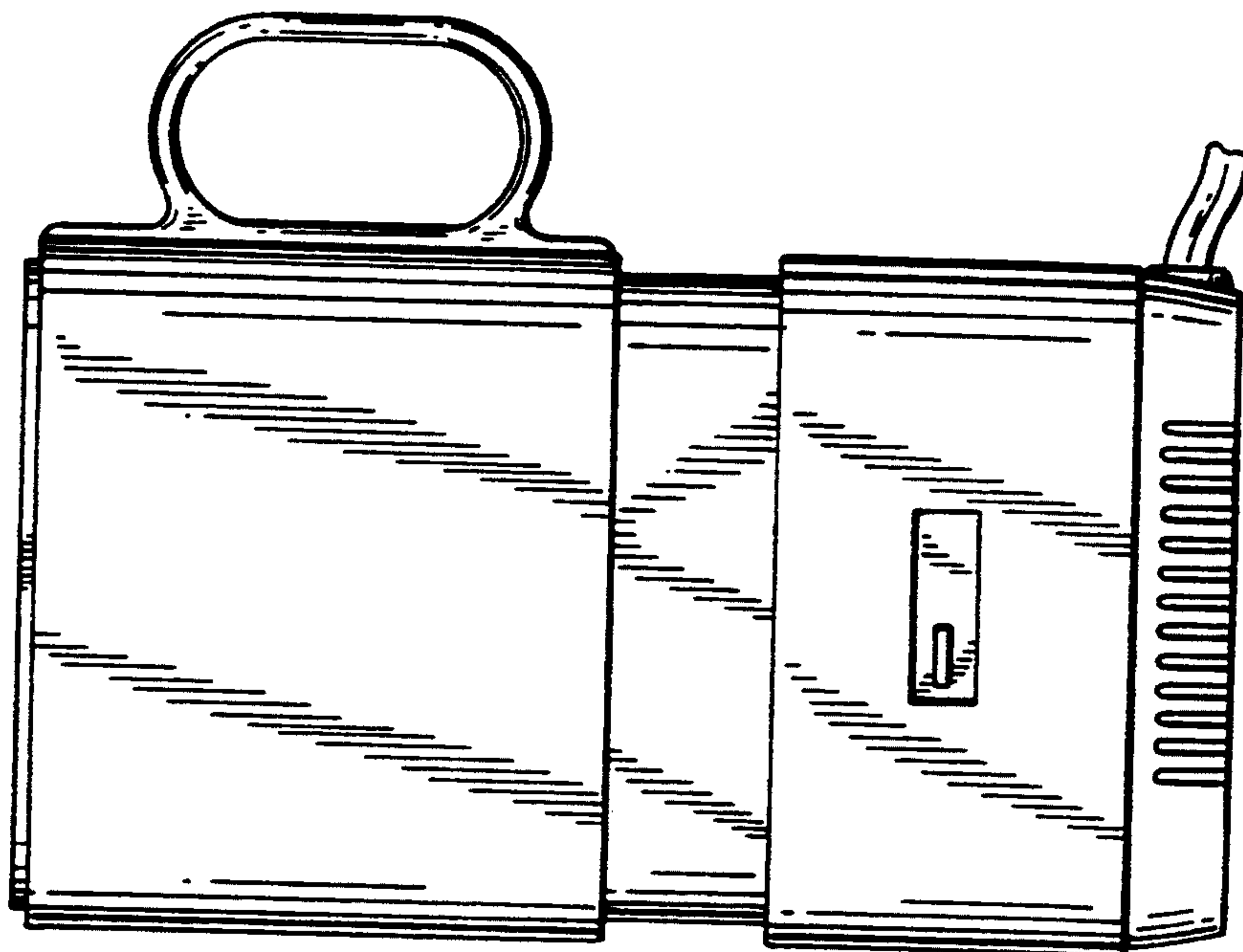
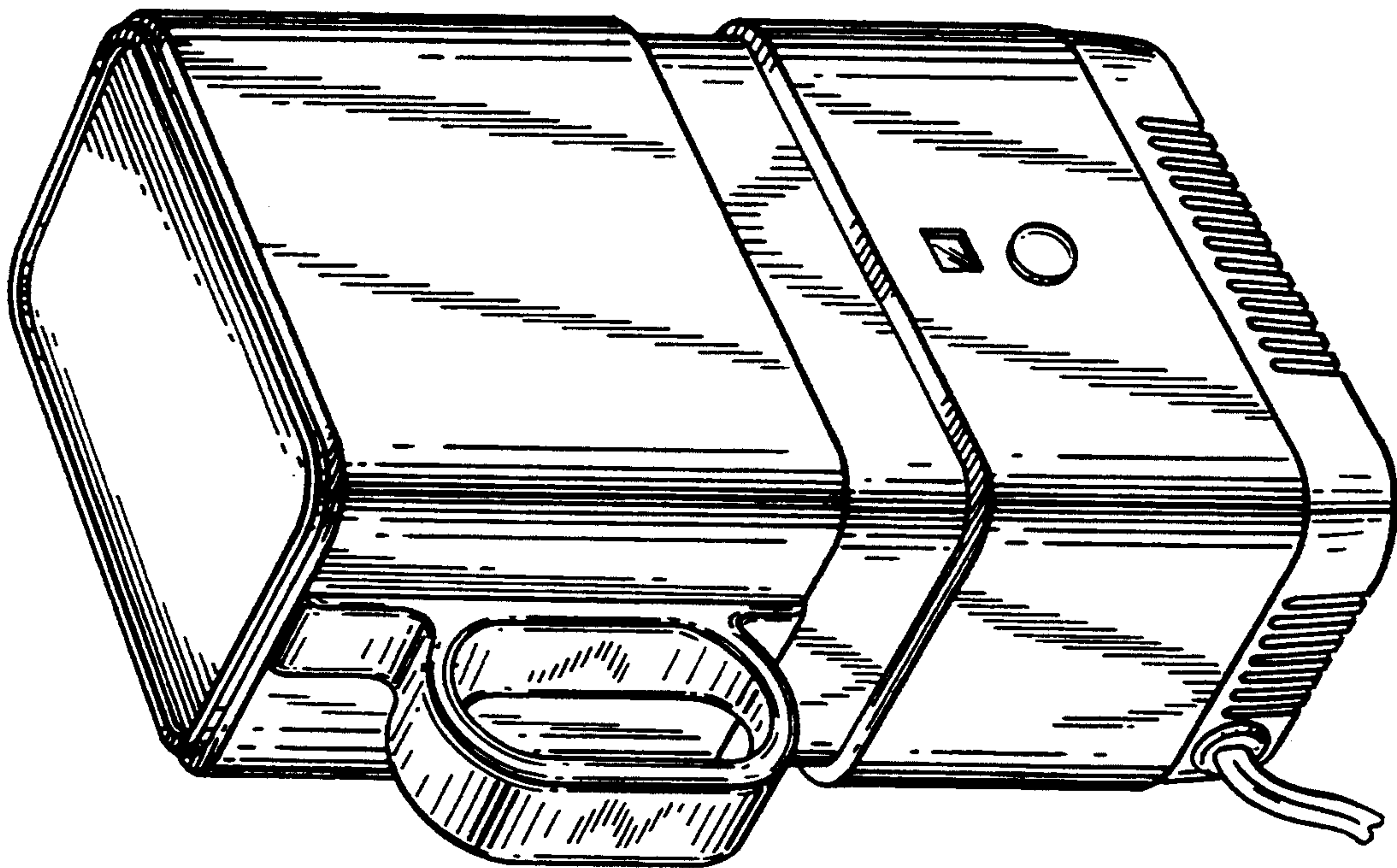


FIG. 4

FIG. 7



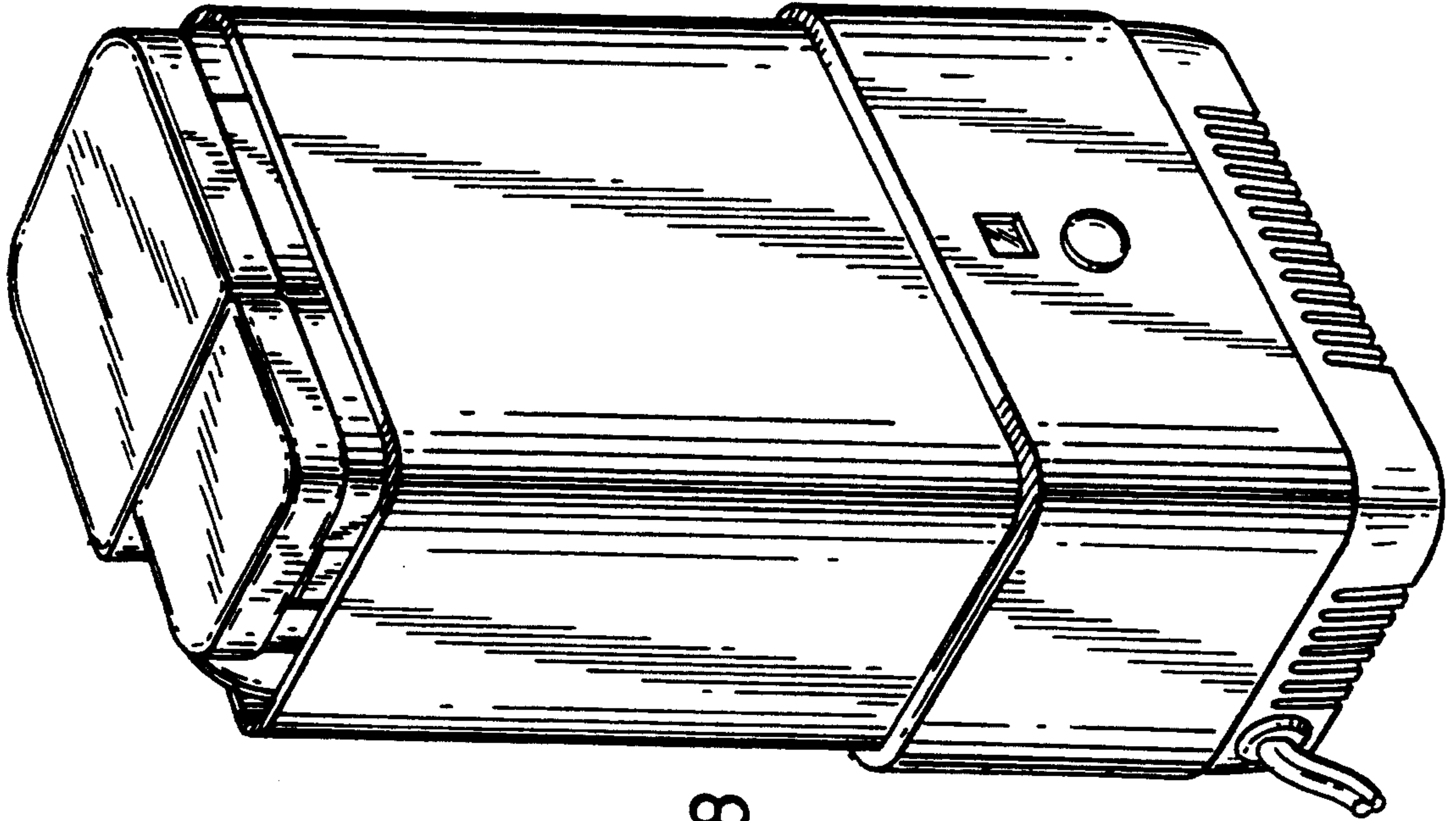


FIG. 8

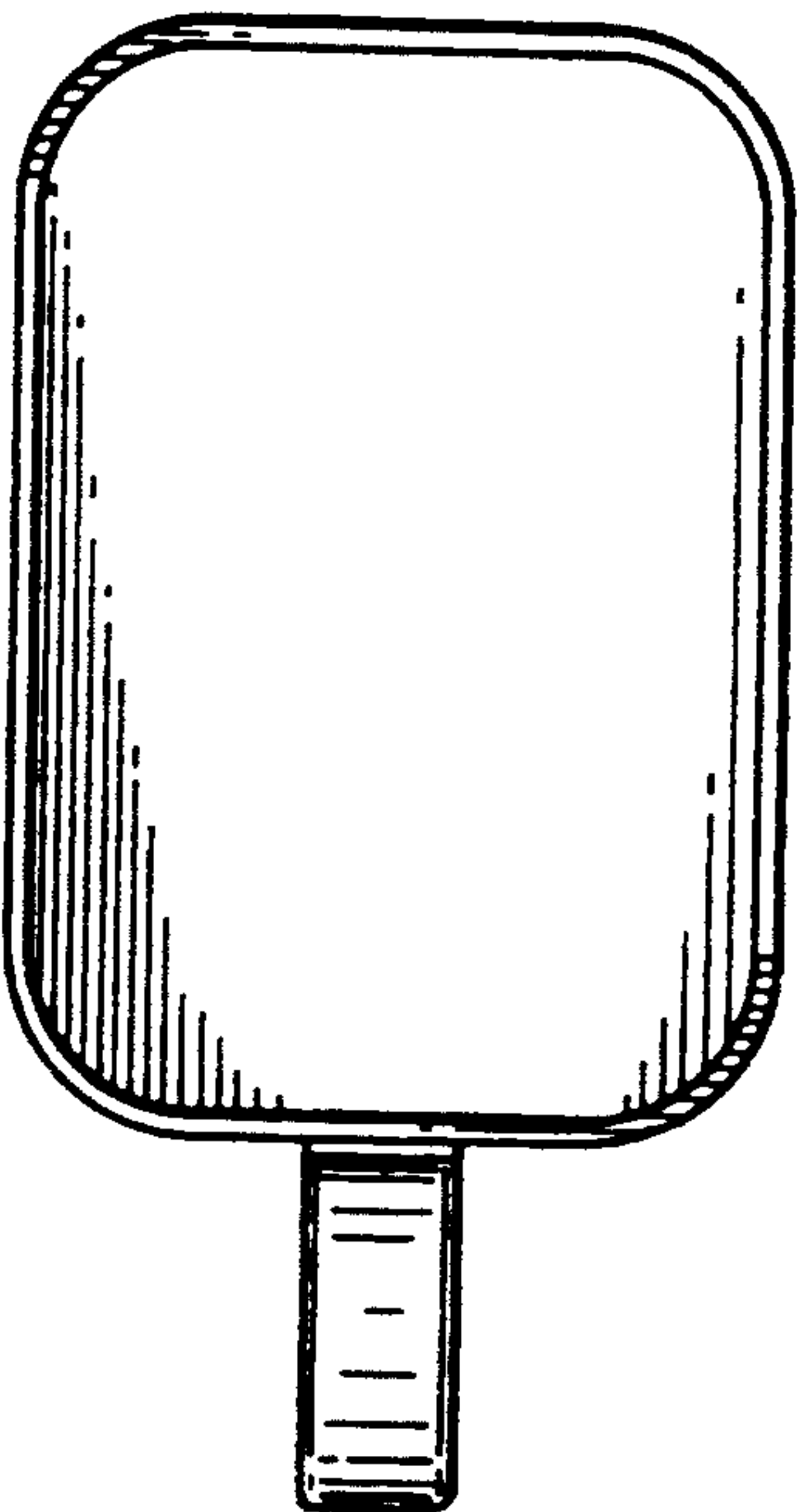


FIG. 10

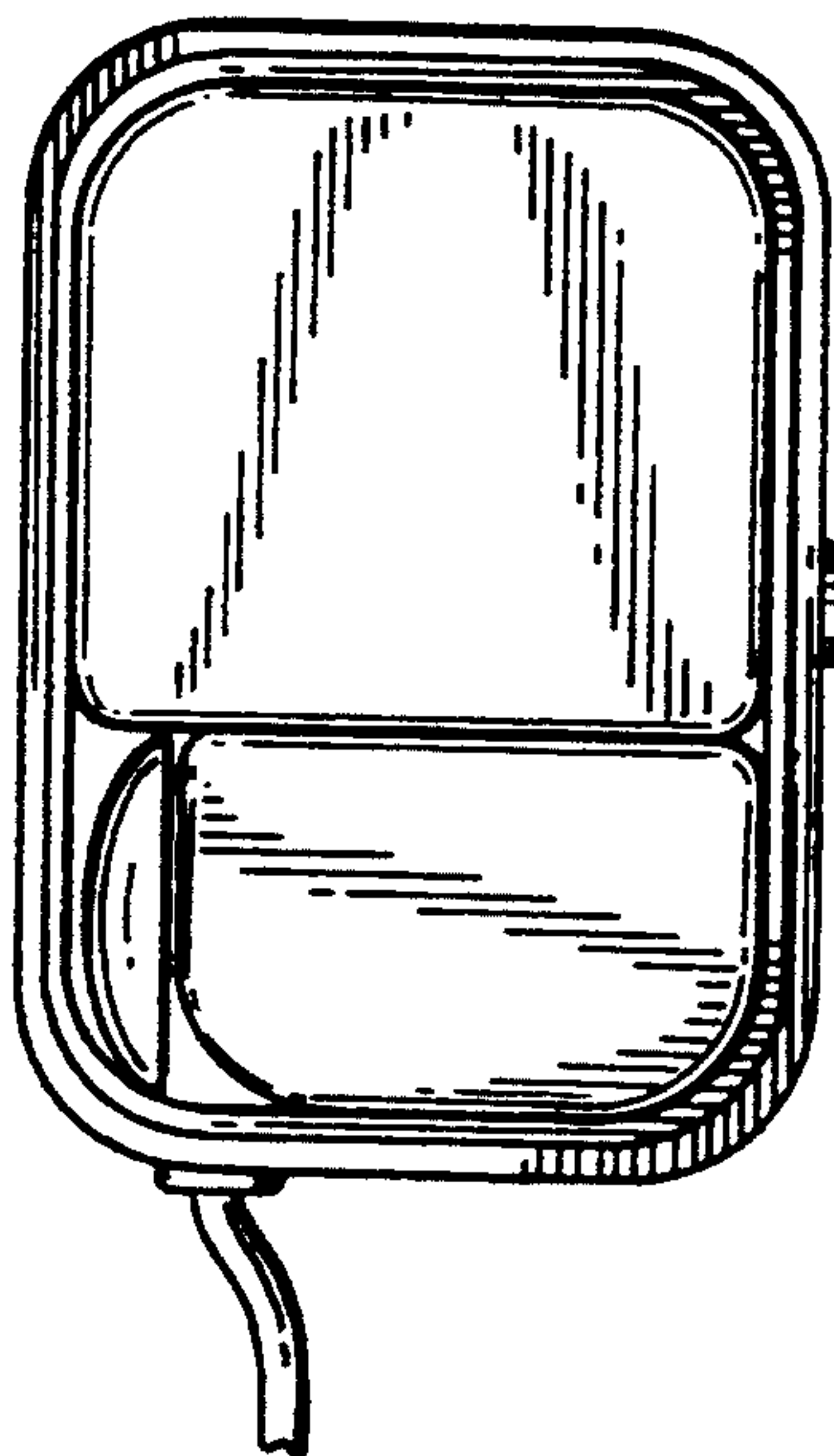


FIG. 9

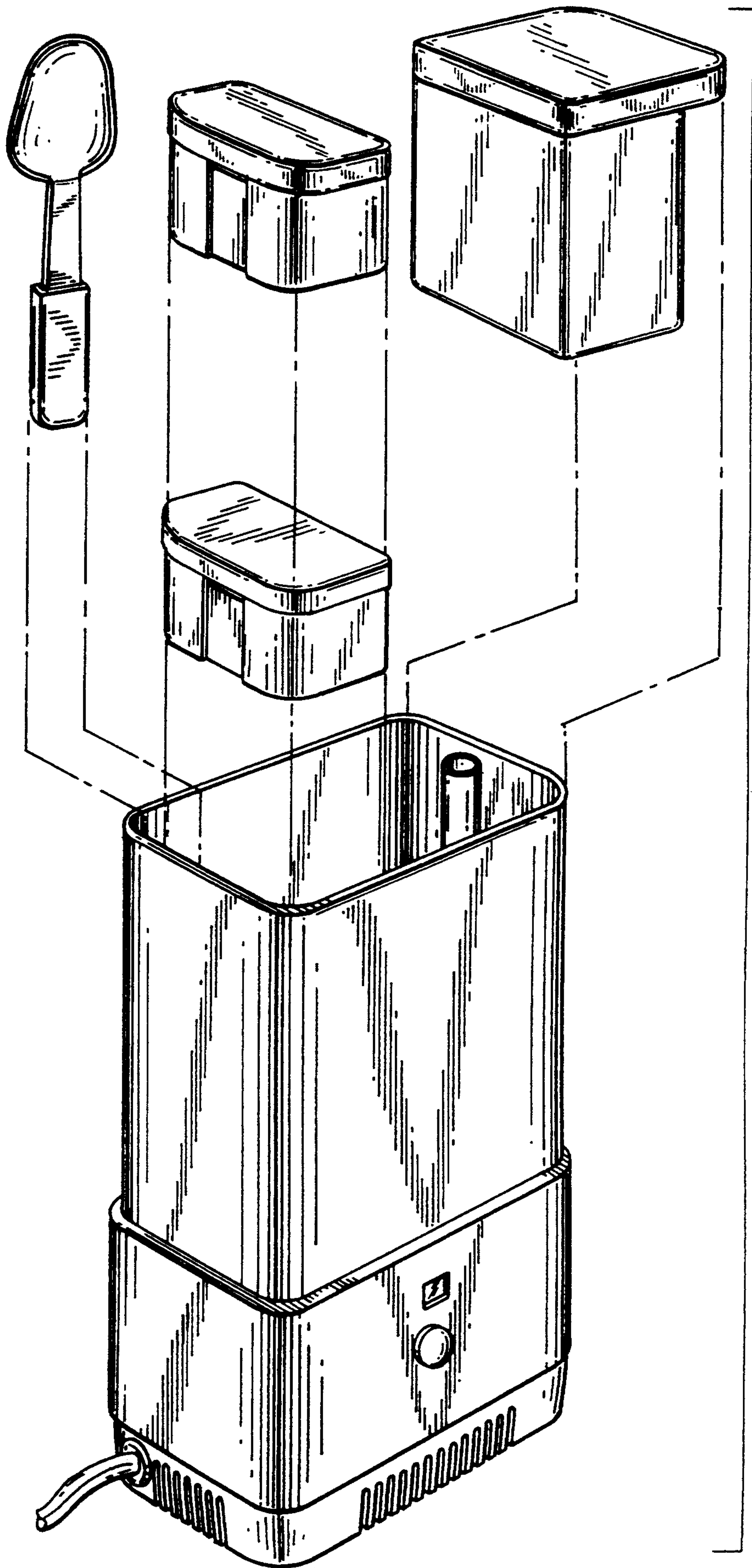


FIG. II

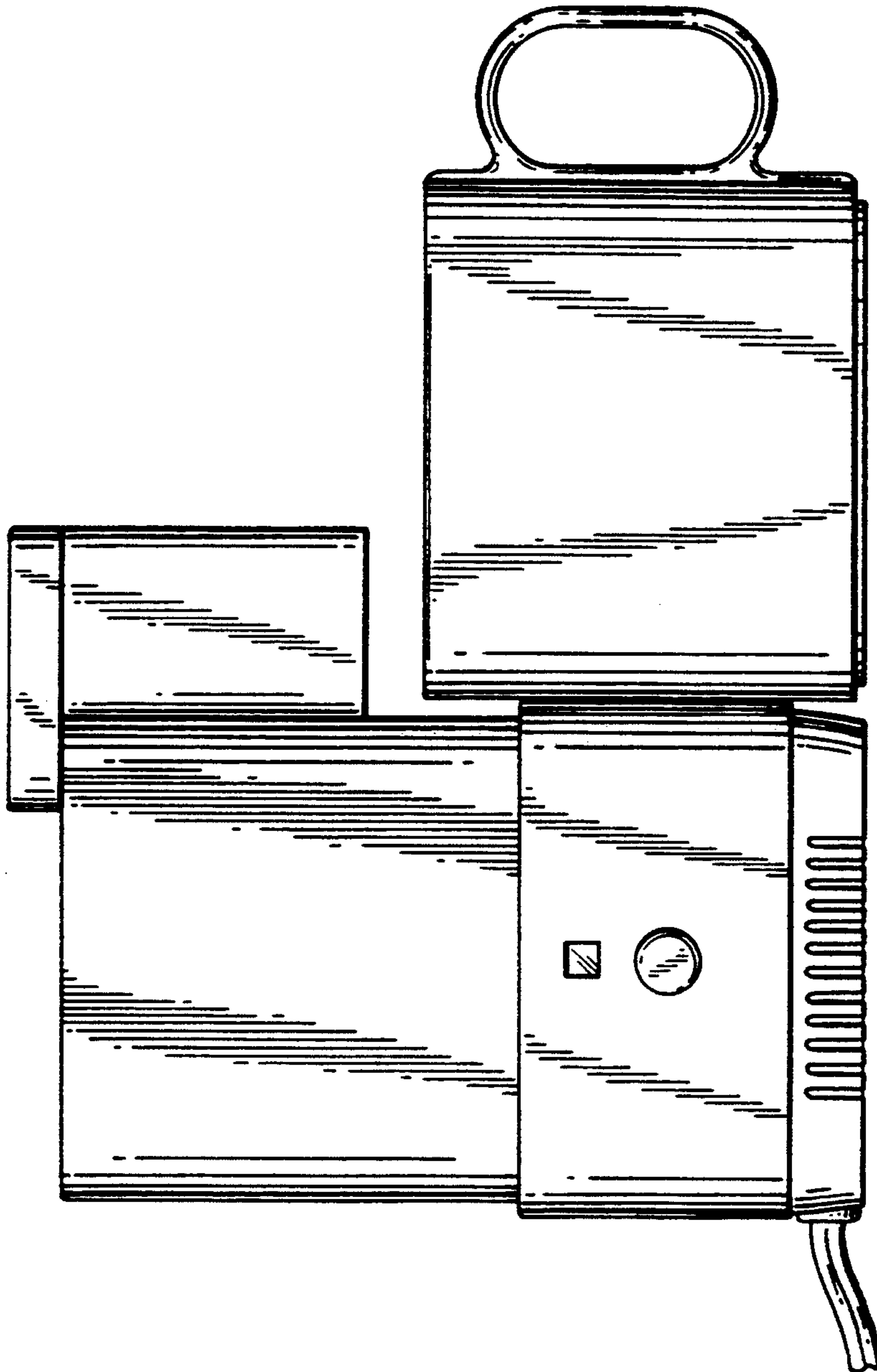


FIG. 12

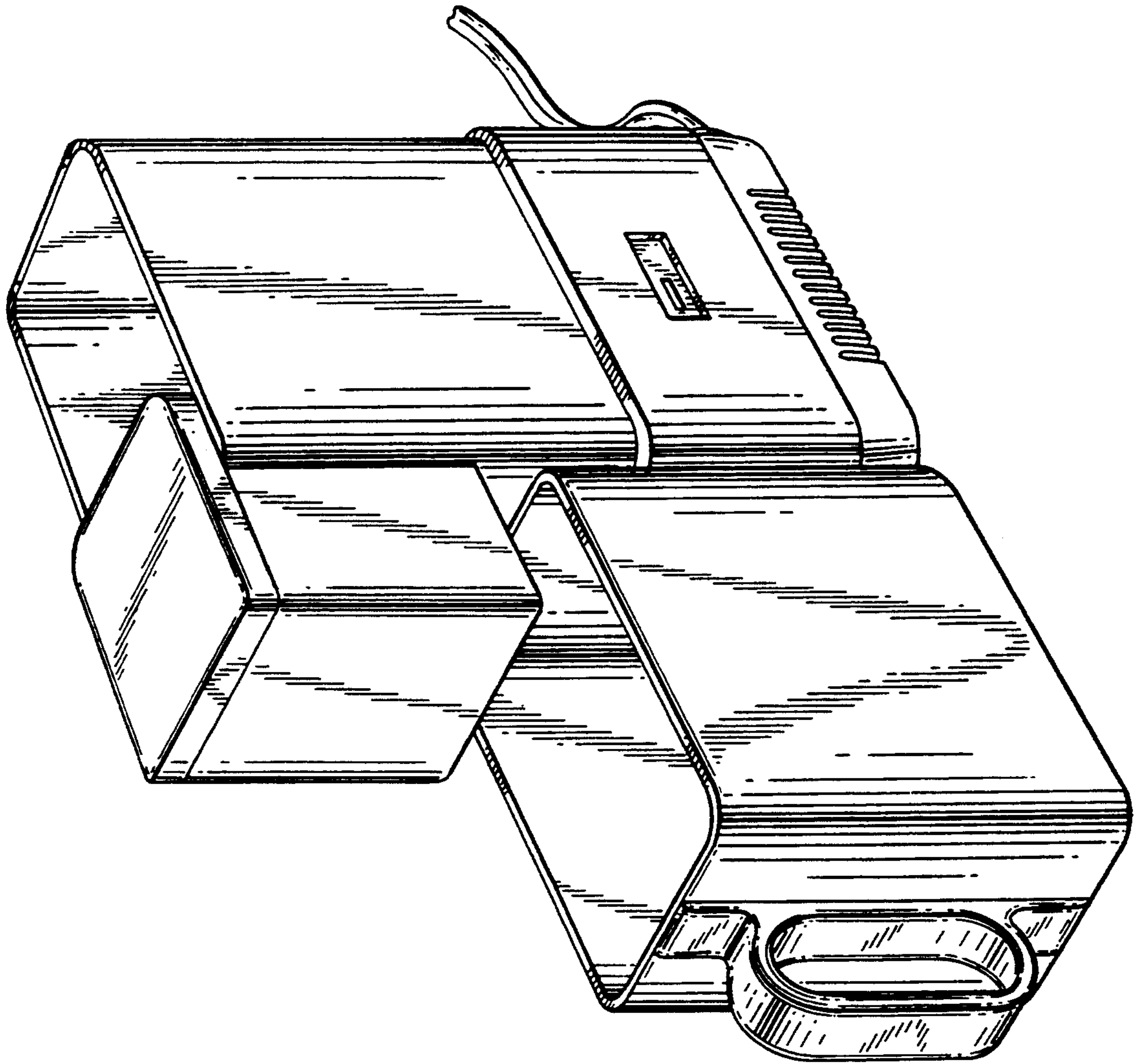


FIG. 13