



US00D350871S

United States Patent [19] Littmann

[11] Patent Number: **Des. 350,871**
[45] Date of Patent: **** Sep. 27, 1994**

[54] ESPRESSOMACHINE

[75] Inventor: **Ludwig Littmann**, Schwalbach, Fed. Rep. of Germany

[73] Assignee: **Braun Aktiengesellschaft**, Frankfurt, Fed. Rep. of Germany

[**] Term: **14 Years**

[21] Appl. No.: **3,957**

[22] Filed: **Jan. 22, 1993**

[30] Foreign Application Priority Data

Aug. 31, 1992 [XH] Hague DMA/001889

[52] U.S. Cl. **D7/309; D7/310; D7/311**

[58] Field of Search **D7/300, 305, 306, 307, D7/308, 309, 310, 311, 312; 99/279**

[56] References Cited

U.S. PATENT DOCUMENTS

D. 283,778	5/1986	Jack	D7/309
D. 288,517	3/1987	Kahlcke	D7/309
D. 299,608	1/1989	Knöchner	D7/309
D. 299,998	2/1989	Seiffert	D7/311
D. 300,104	3/1989	Cortese	D7/309
D. 331,522	12/1992	Littmann	D7/307
D. 336,586	6/1993	Dingelstad et al.	D7/309

FOREIGN PATENT DOCUMENTS

M8907499	10/1989	Fed. Rep. of Germany	.
1058833	11/1988	United Kingdom	.
DM/013598	5/1989	World Int. Prop. O.	.
DM/014096	7/1989	World Int. Prop. O.	.
DM/014207	7/1989	World Int. Prop. O.	.

OTHER PUBLICATIONS

Hamilton Beach Supplement to HFD, "Espresso Maker".

Primary Examiner—Alan P. Douglas
Assistant Examiner—Marianne N. Pandozzi
Attorney, Agent, or Firm—Fish & Richardson

[57] CLAIM

The ornamental design for an espressomachine, as shown and described.

DESCRIPTION

FIG. 1 is a perspective left side front elevational view of an espressomachine showing my new design; FIG. 2 is a top plan view thereof; FIG. 3 is a side view thereof; FIG. 4 is a front view thereof; FIG. 5 is a rear view thereof; FIG. 6 is a side view thereof; and, FIG. 7 is a bottom plan view thereof.

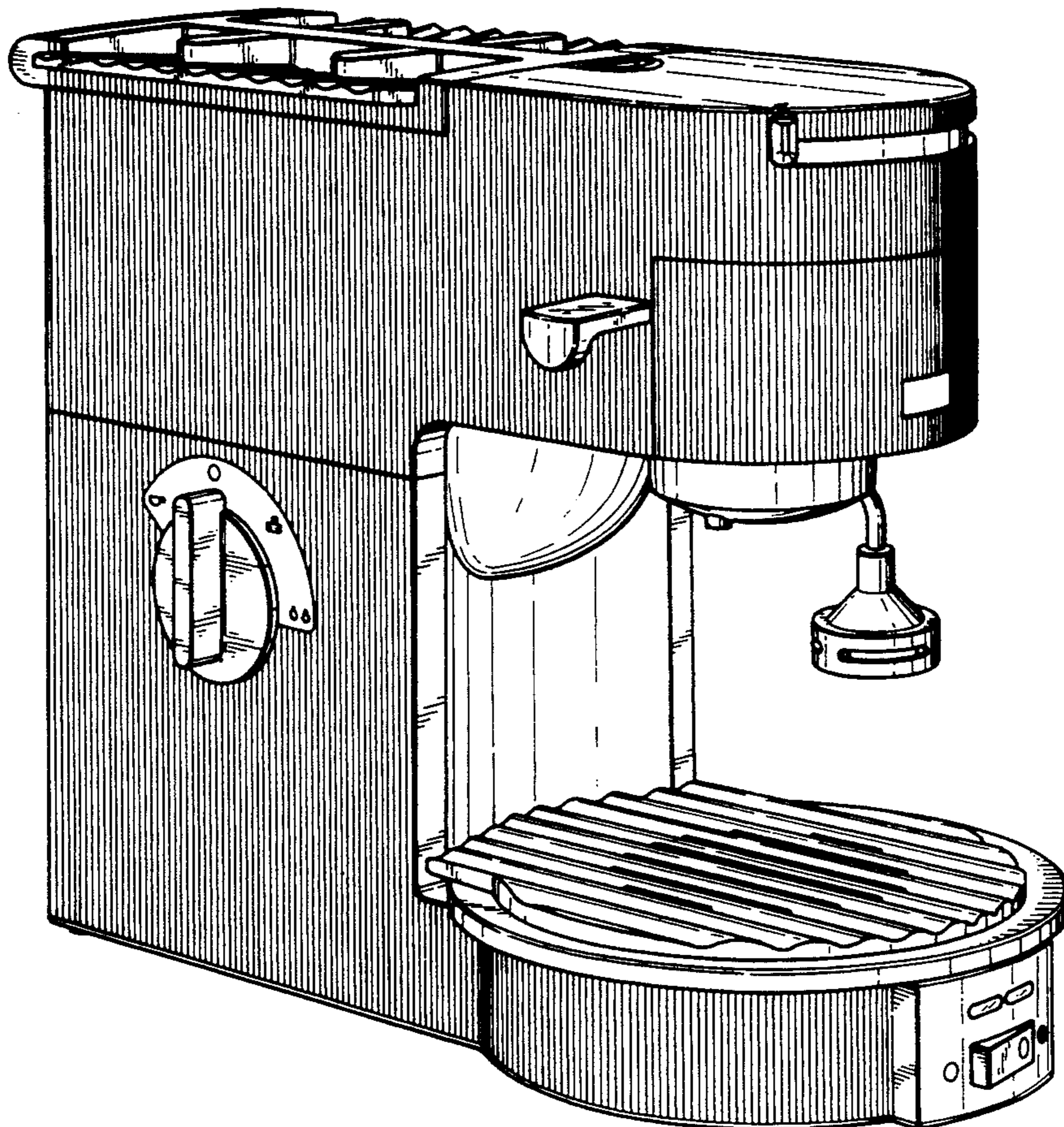


Fig. 1

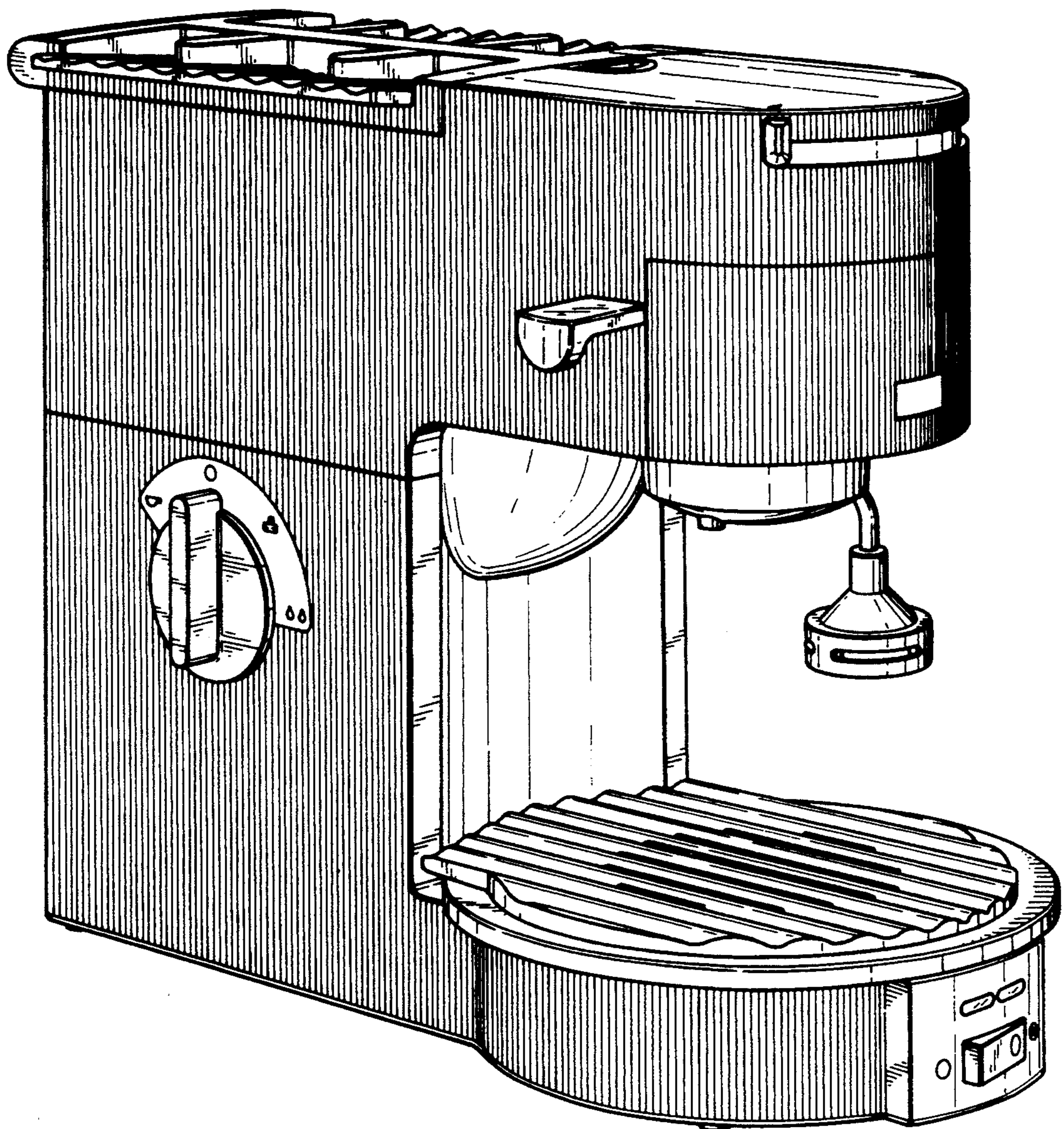


Fig. 2

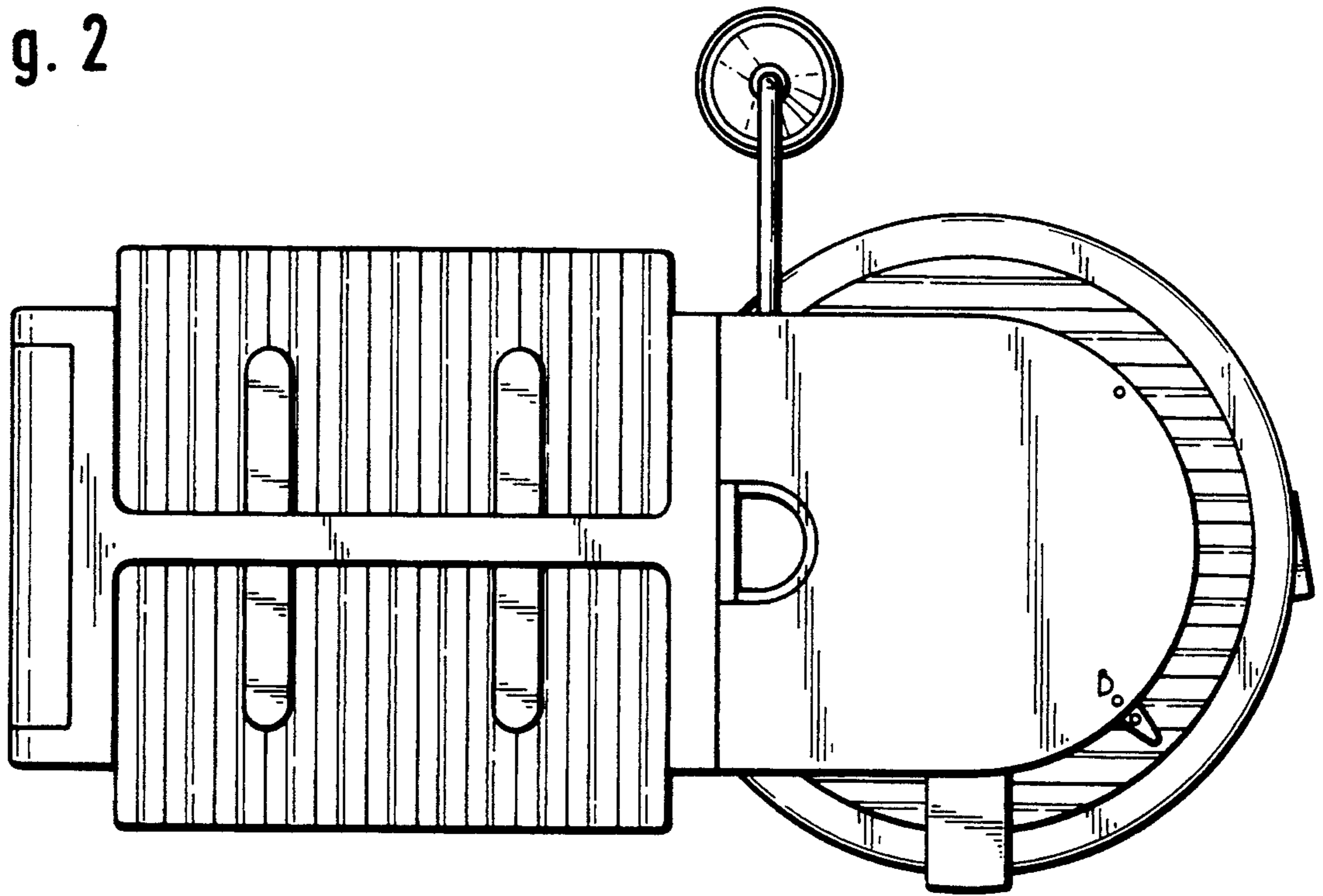


Fig. 3

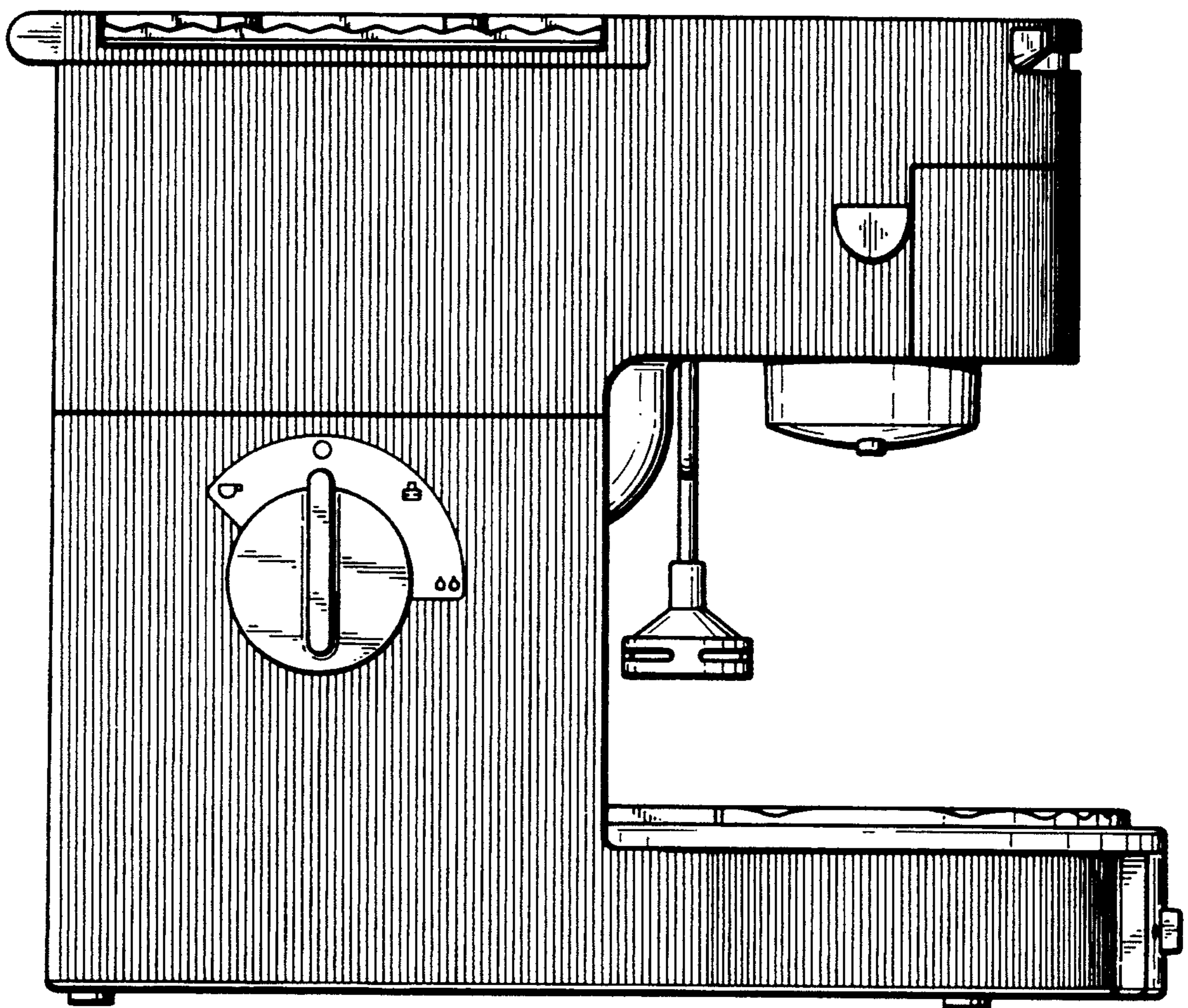


Fig. 5

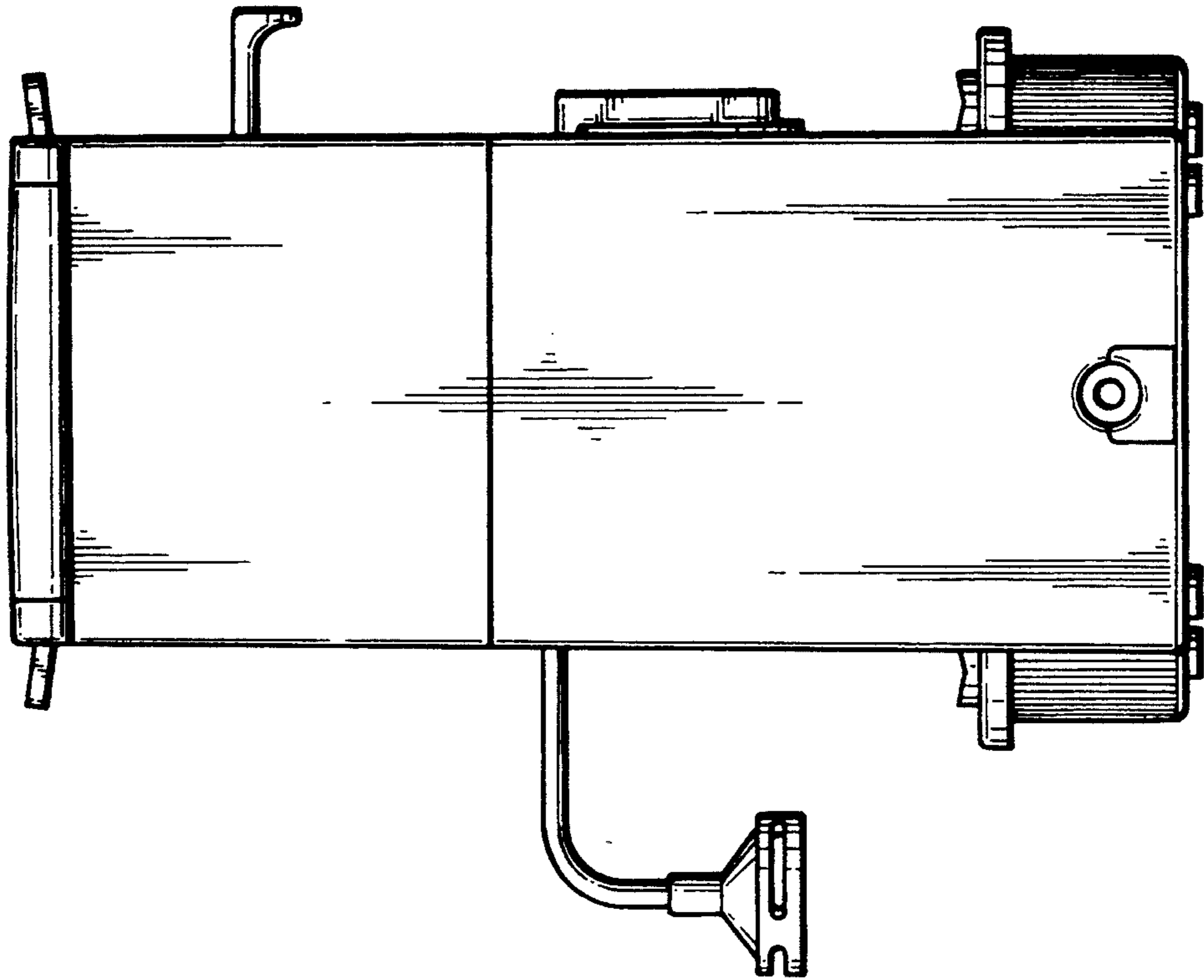


Fig. 4

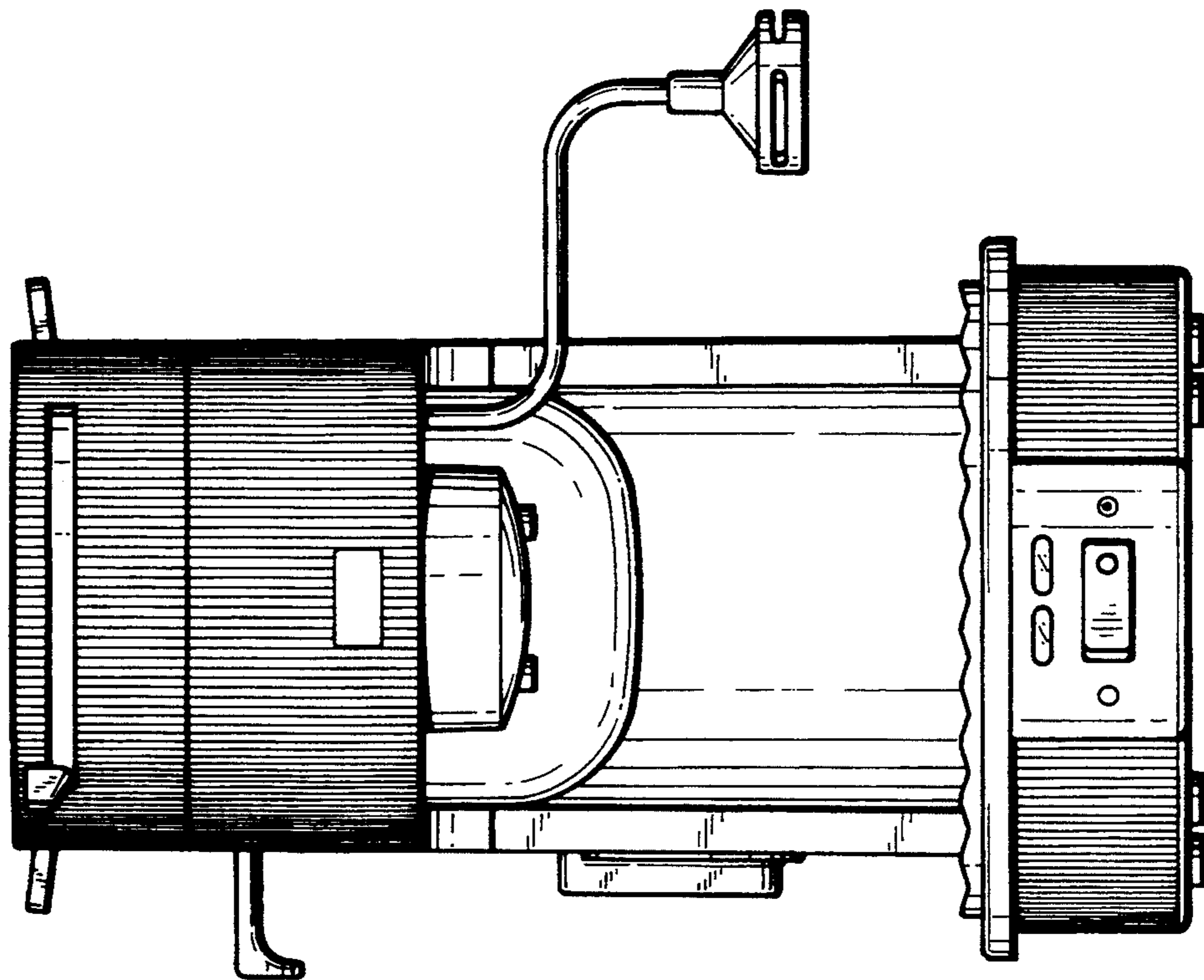


Fig. 6

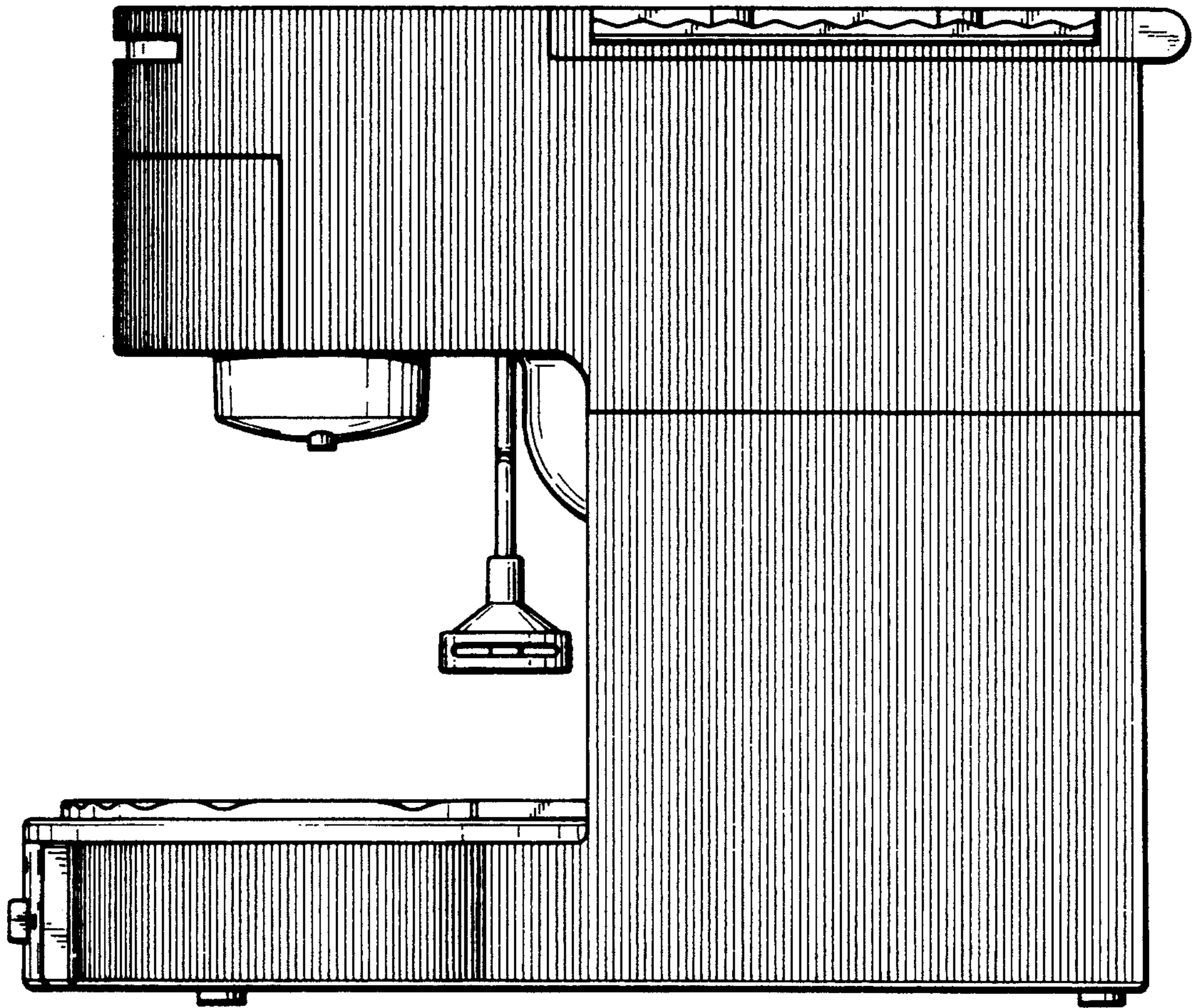


Fig. 7

