



US00D350867S

United States Patent [19] Lim

[11] Patent Number: **Des. 350,867**
[45] Date of Patent: **** Sep. 27, 1994**

[54] **COMPACT DISC CASE**

[76] Inventor: **Jin-kyu Lim**, Room 9 1503, Sampung Apartment, Sucho-dong, Sucho-ku, Seoul, Rep. of Korea

[**] Term: **14 Years**

[21] Appl. No.: **924,821**

[22] Filed: **Aug. 4, 1992**

[52] U.S. Cl. **D6/631; D6/627; D6/632**

[58] Field of Search **D3/30.1, 35, 74, 99; 206/387, 316.1, 310, 444, 425; D19/75, 76**

[56] **References Cited**

U.S. PATENT DOCUMENTS

D. 304,880	12/1989	Philosophe	D3/35
D. 335,215	5/1993	Stumpf	D3/35
4,708,239	11/1987	Bourbon	206/387
4,843,511	6/1989	Downey	D3/35
5,168,991	12/1992	Whitehead	206/444

FOREIGN PATENT DOCUMENTS

3927380	2/1991	Fed. Rep. of Germany	206/310
8404737	12/1984	PCT Int'l Appl.	206/316.1

Primary Examiner—A. Hugo Word
Assistant Examiner—Celia A. Murphy
Attorney, Agent, or Firm—Anthony J. Casella; Gerald E. Hespos

[57] **CLAIM**

The ornamental design for a compact disc case, as shown and described.

DESCRIPTION

FIG. 1 is a perspective view of a compact disc case showing my new design;
FIG. 2 is a perspective view of the upper component;
FIG. 3 is a perspective view of the lower component;
FIG. 4 is a front elevational view of FIG. 1;
FIG. 5 is a rear elevational view of FIG. 1;
FIG. 6 is a top plan view of FIG. 1;
FIG. 7 is a bottom plan view of FIG. 1;
FIG. 8 is a left side elevational view of FIG. 1, the right side being a mirror image;
FIG. 9 is a cross-sectional view taken on line A—A of FIG. 6;
FIG. 10 is a front elevational view of FIG. 2;
FIG. 11 is a rear elevational view of FIG. 2;
FIG. 12 is a top plan view of FIG. 2;
FIG. 13 is a bottom plan view of FIG. 2;
FIG. 14 is a left side elevational view of FIG. 2, the right side being a mirror image;
FIG. 15 is a cross-sectional view taken on line B—B of FIG. 12;
FIG. 16 is a front elevational view of FIG. 3;
FIG. 17 is a rear elevational view of FIG. 3;
FIG. 18 is a top plan view of FIG. 3;
FIG. 19 is a bottom plan view of FIG. 3;
FIG. 20 is a left side elevational view of FIG. 3, the right side being a mirror image; and,
FIG. 21 is a cross-sectional view taken on line C—C of FIG. 18.

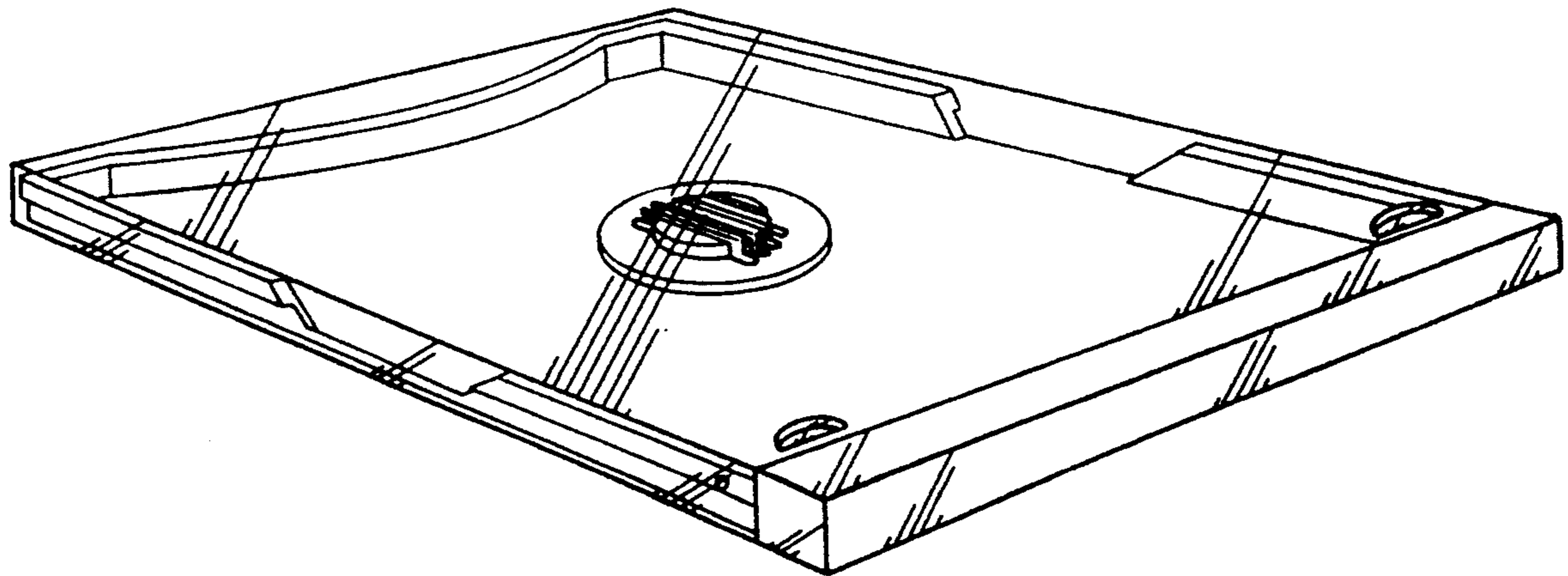


FIG. 1

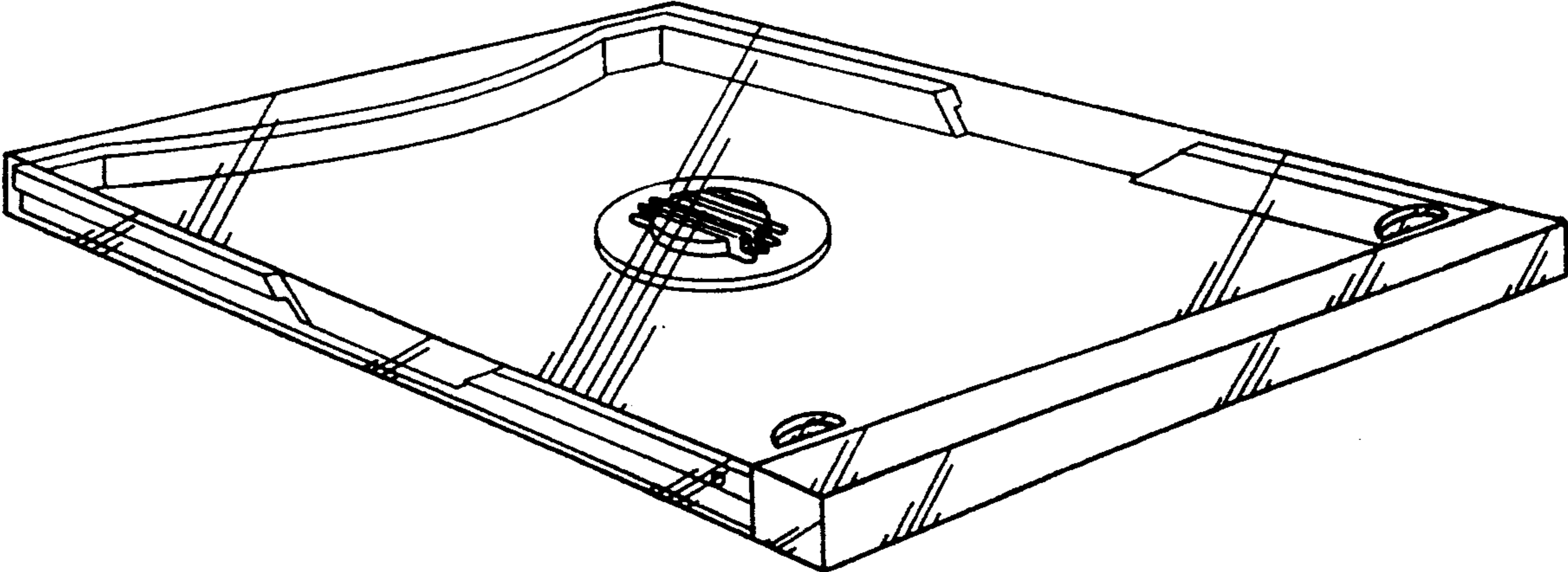


FIG. 2

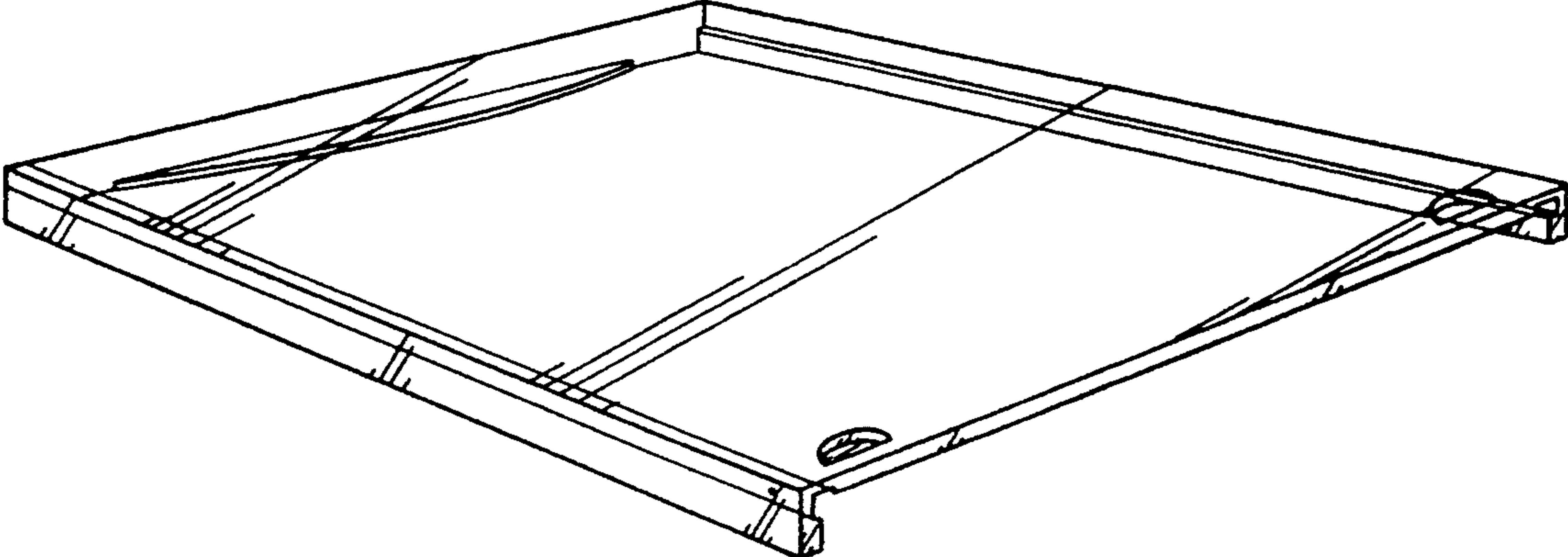


FIG. 3

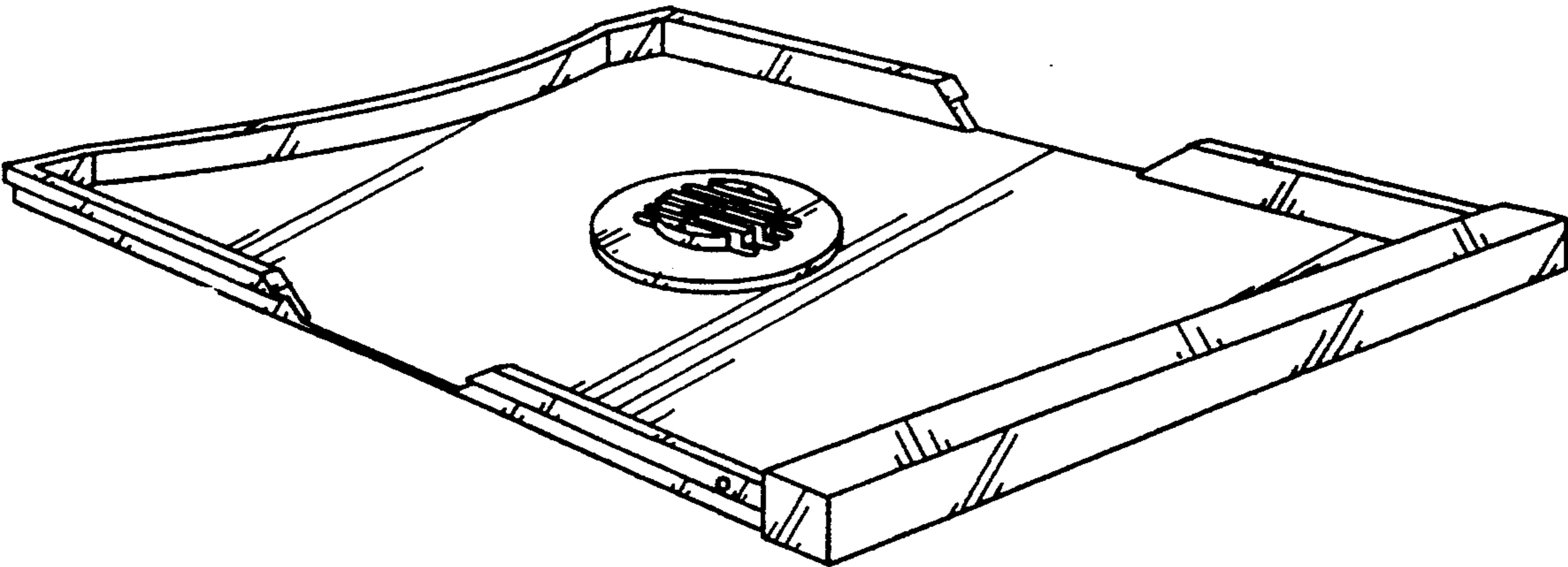


FIG. 4



FIG. 5



FIG. 6

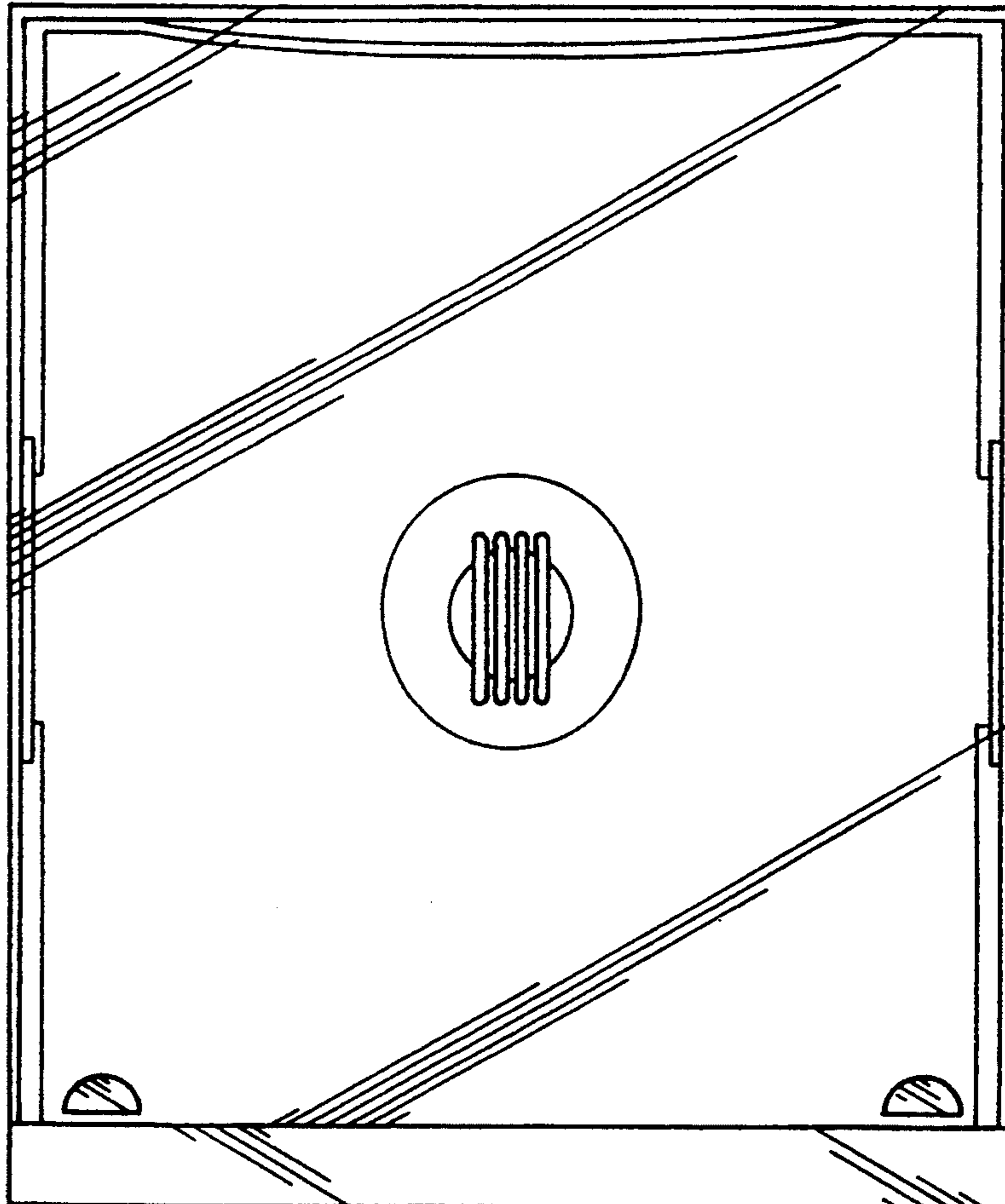


FIG. 7

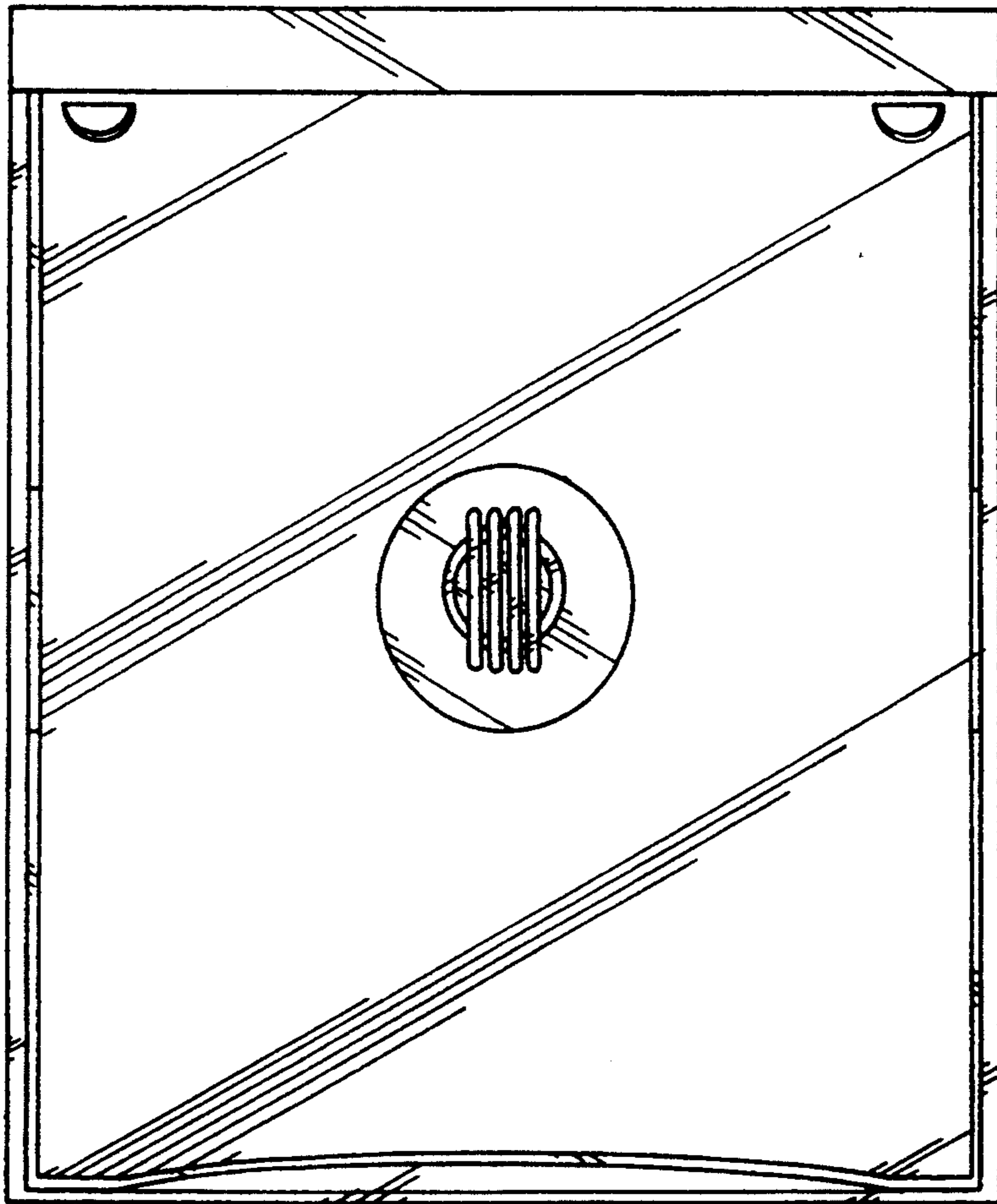


FIG. 8

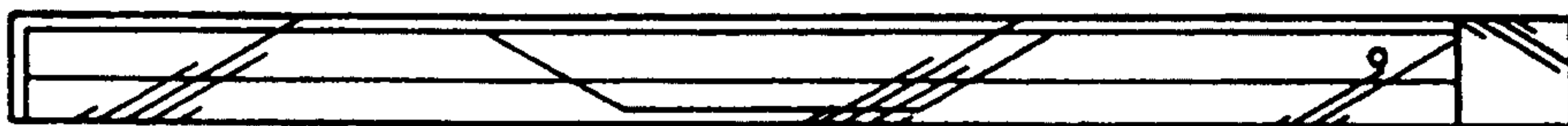


FIG. 9



FIG. 10

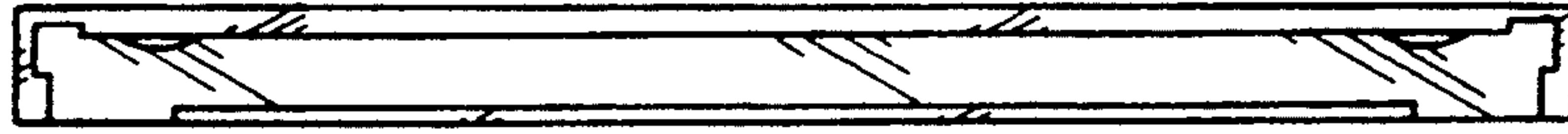


FIG. 11



FIG. 12

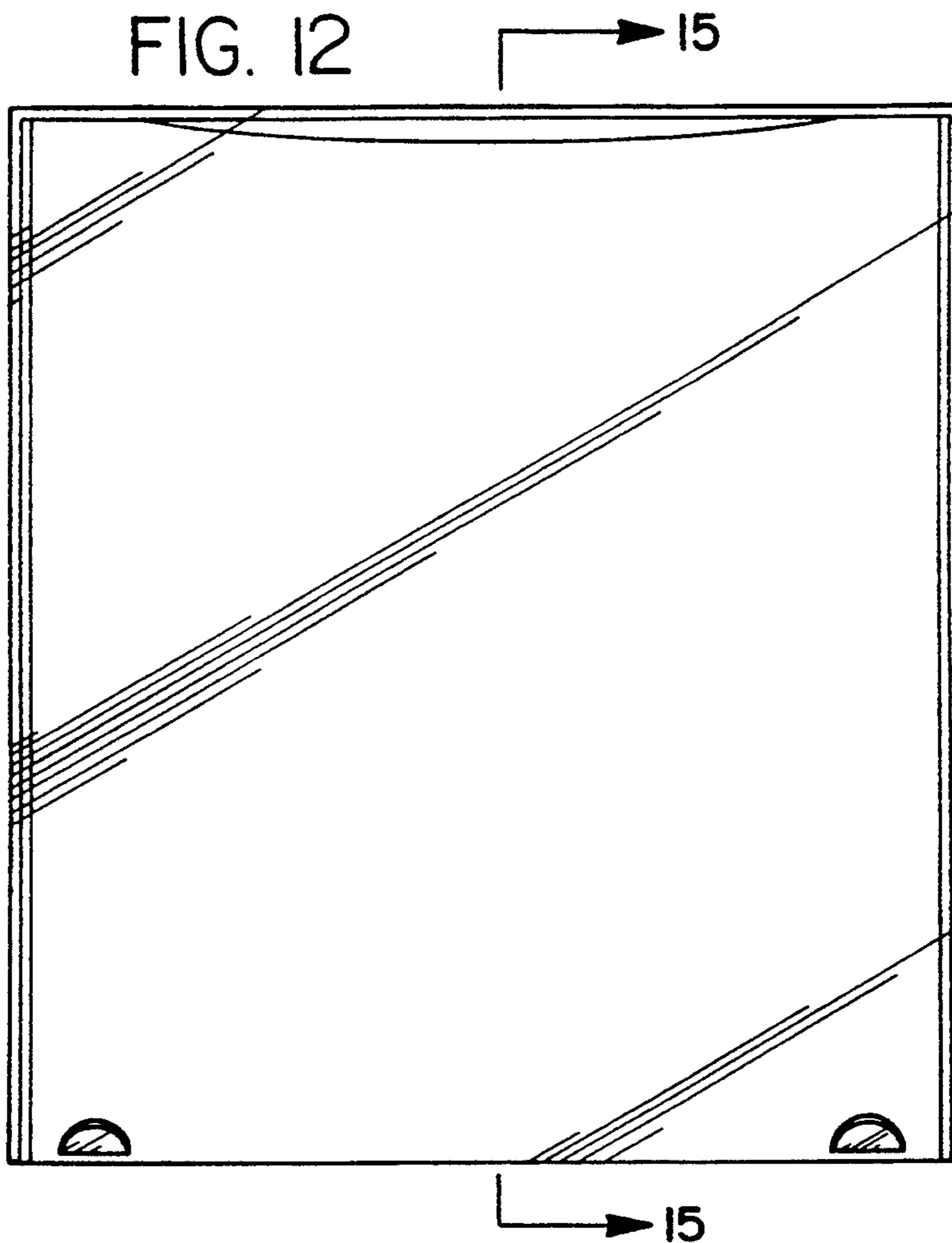


FIG. 13

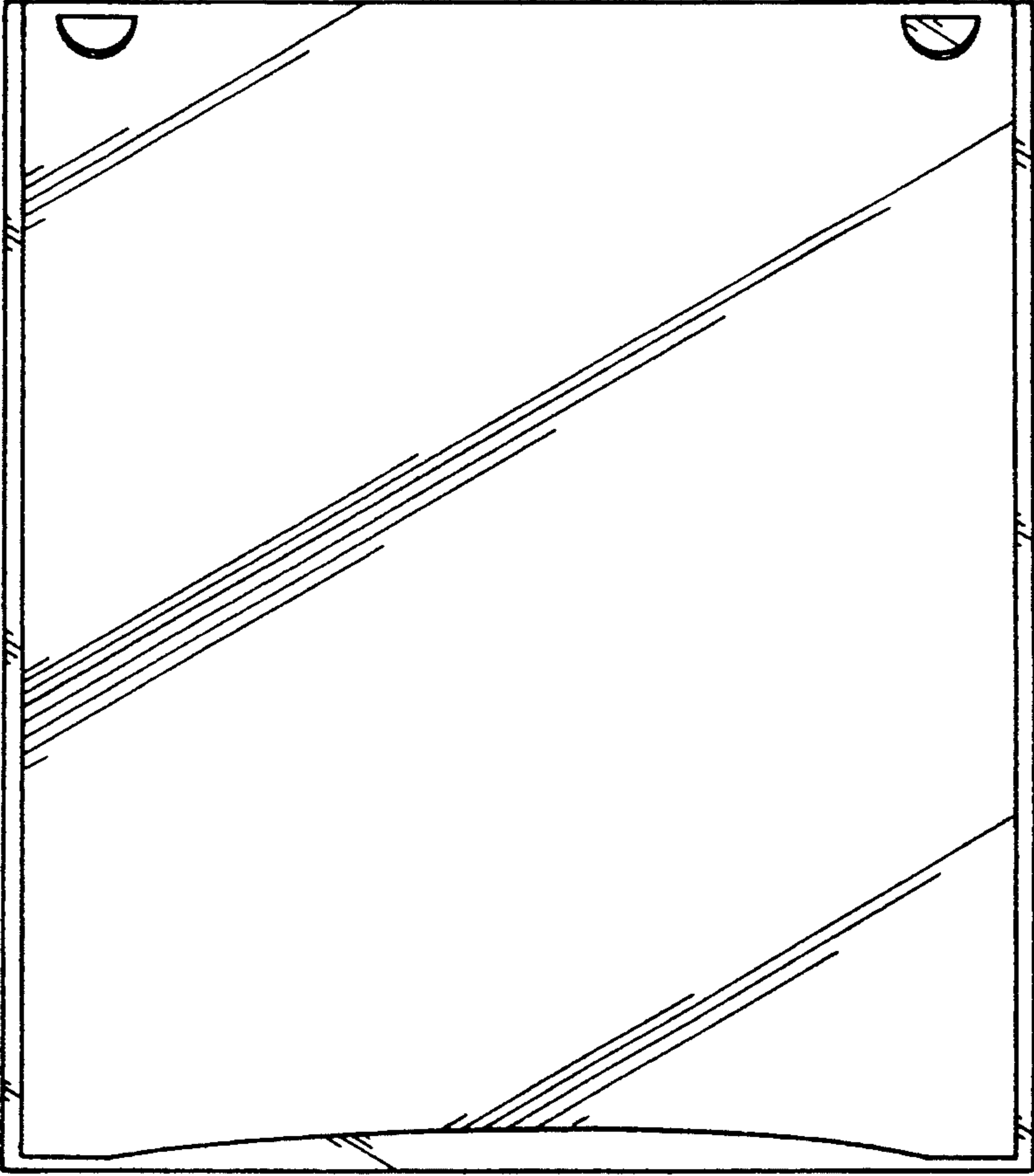


FIG. 14



FIG. 15



FIG. 16



FIG. 17



FIG. 18

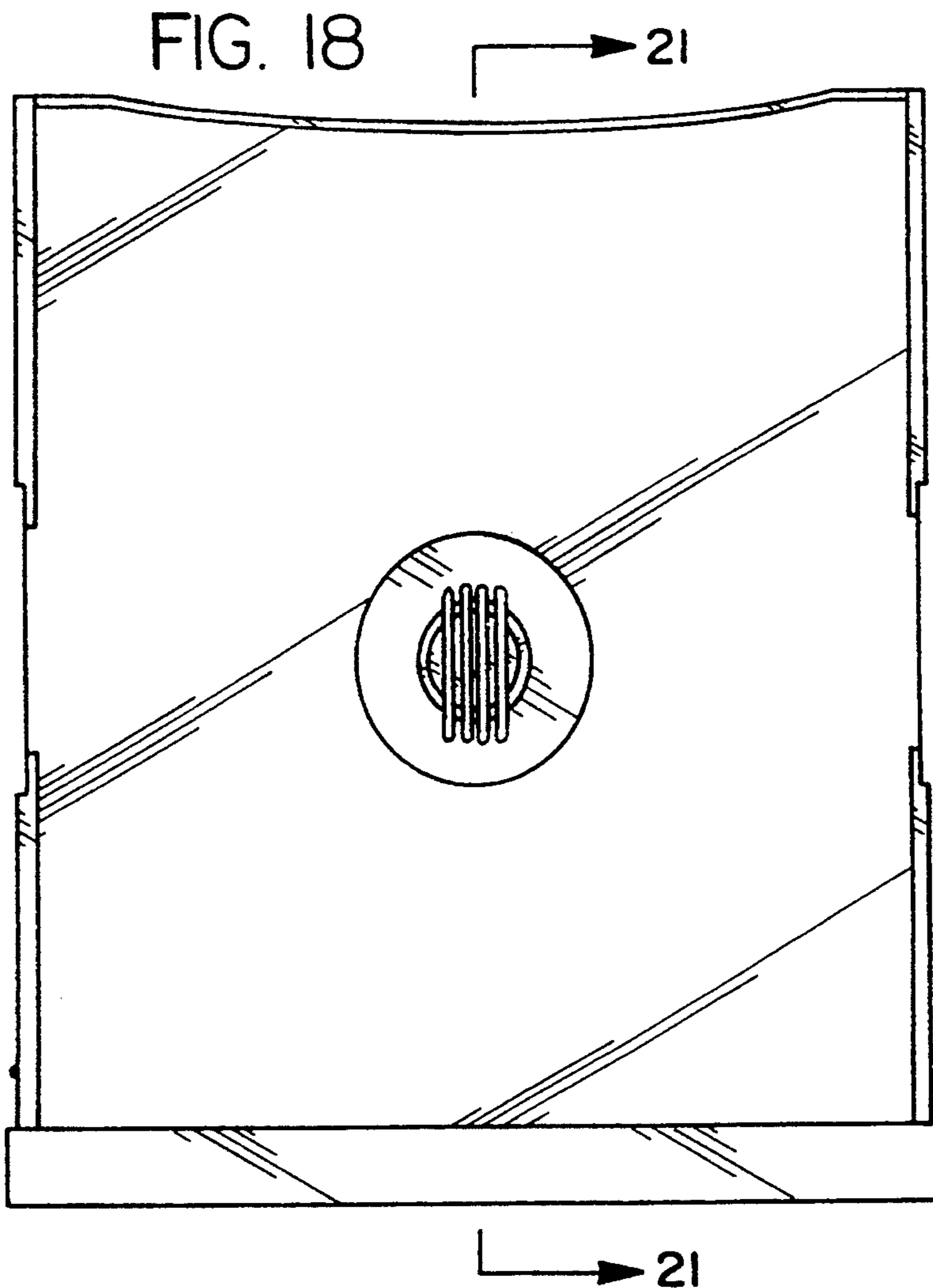


FIG. 19

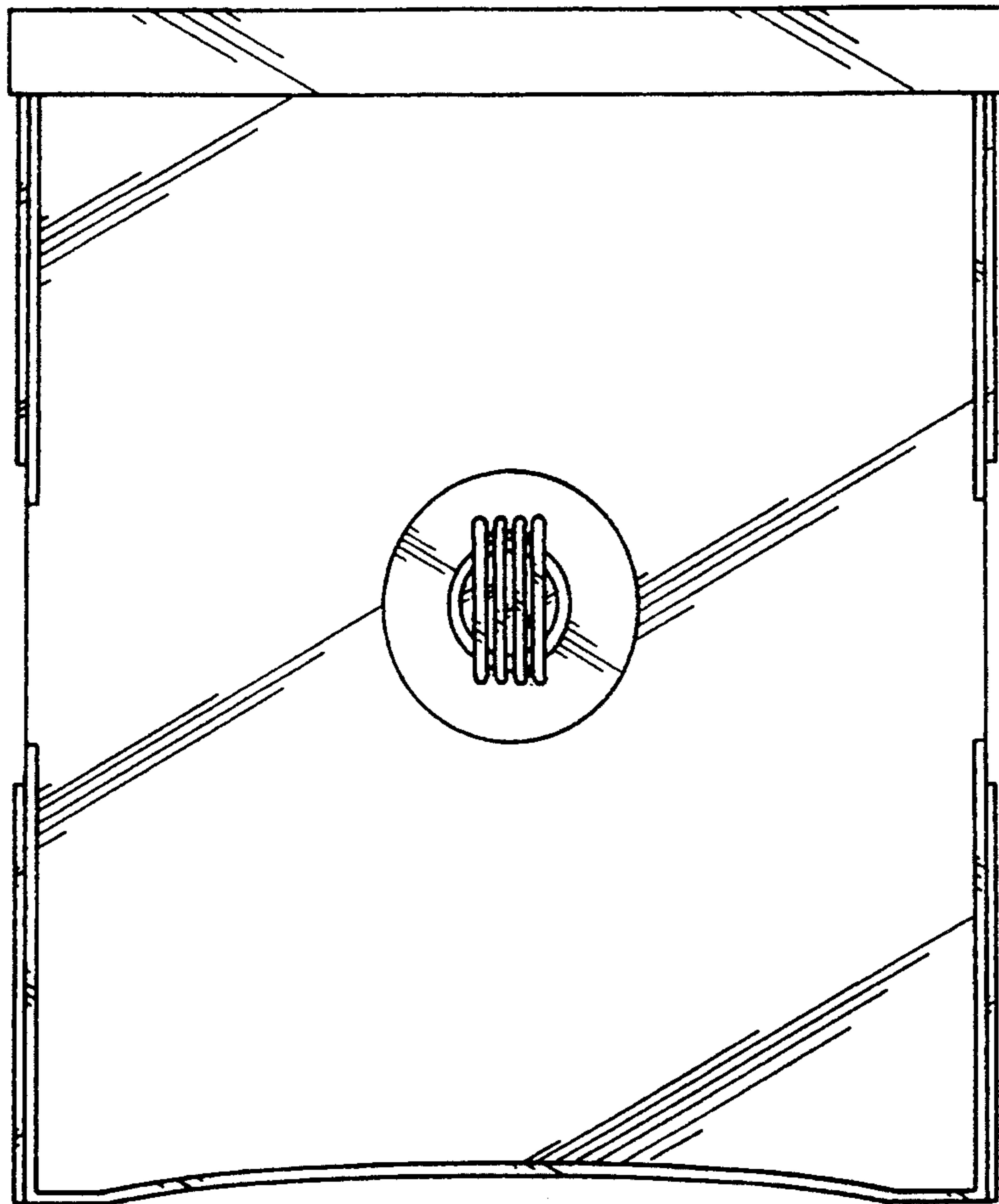


FIG. 20



FIG. 21

