



US00D350865S

United States Patent [19]

[11] Patent Number: **Des. 350,865**

Ward

[45] Date of Patent: **** Sep. 27, 1994**

[54] TABLE

[75] Inventor: **Marshall B. Ward**, High Point, N.C.

[73] Assignee: **Cal-Style Furniture Mfg. Co.**,
Compton, Calif.

[**] Term: **14 Years**

[21] Appl. No.: **7,716**

[22] Filed: **Apr. 29, 1993**

[52] U.S. Cl. **D6/484; D6/480**

[58] Field of Search **D6/480-489,**
D6/495, 498, 499, 451; 108/153, 156, 161;
248/188, 188.1, 188.7, 188.8

[56] **References Cited**

U.S. PATENT DOCUMENTS

| | | | |
|------------|---------|----------------------|---------|
| D. 181,538 | 11/1957 | Lubberts et al. | D6/480 |
| D. 243,376 | 2/1977 | Scott | D6/484 |
| D. 243,982 | 4/1977 | Carter | D6/484 |
| D. 259,981 | 7/1981 | Alpert | D6/487 |
| D. 299,893 | 2/1989 | Diehl | D6/484 |
| 3,008,782 | 11/1961 | Osborne | 108/161 |

OTHER PUBLICATIONS

Furniture Today—Apr. 10, 1989, p. 142, table at top right.
Chromcraft p. CO 1.

Portfolio II—by Drexel, table at center.

Interiors Jun. 1976, p. 11, table at center.

Primary Examiner—Nelson J. Holtje

Assistant Examiner—J. E. Seeger

Attorney, Agent, or Firm—Edgar A. Zarins; Malcolm L. Sutherland

[57] CLAIM

The ornamental design for a table, as shown and described.

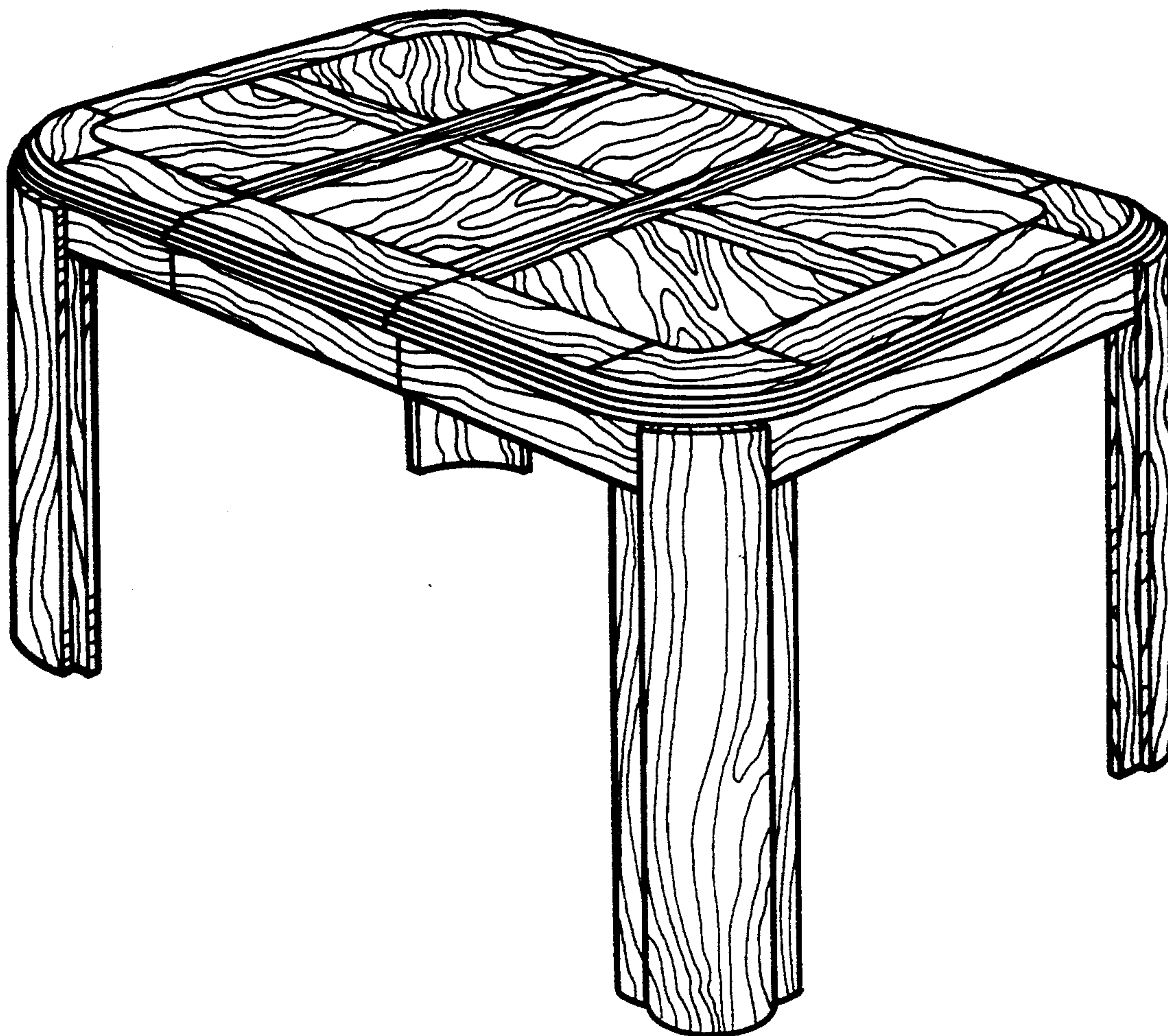
DESCRIPTION

FIG. 1 is a perspective view of a table showing my new design;

FIG. 2 is an end view thereof, the opposite end being a mirror image of the side shown;

FIG. 3 is a top plan view thereof; and,

FIG. 4 is a side view thereof, the opposite side being a mirror image of the side shown.



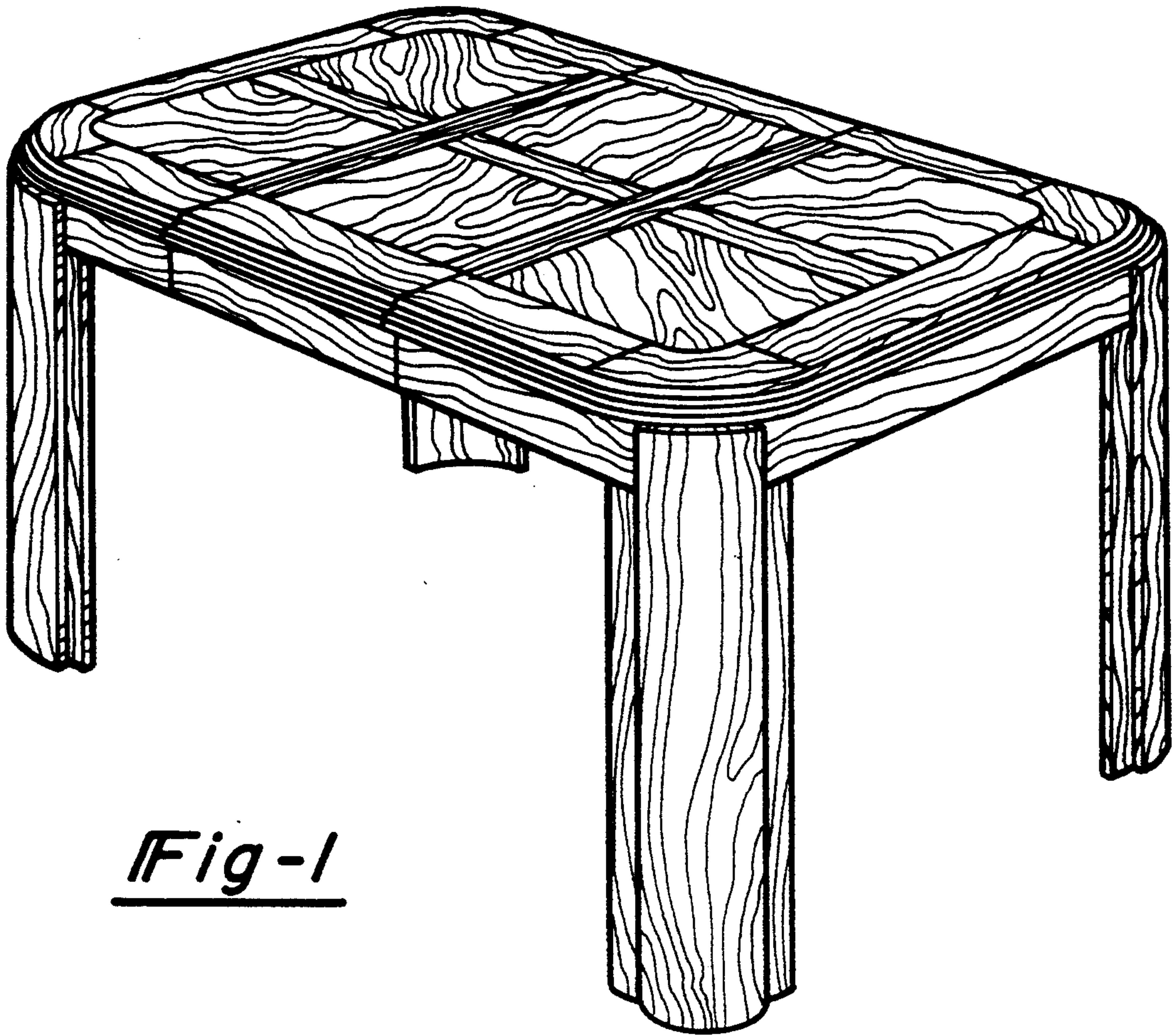


Fig-1

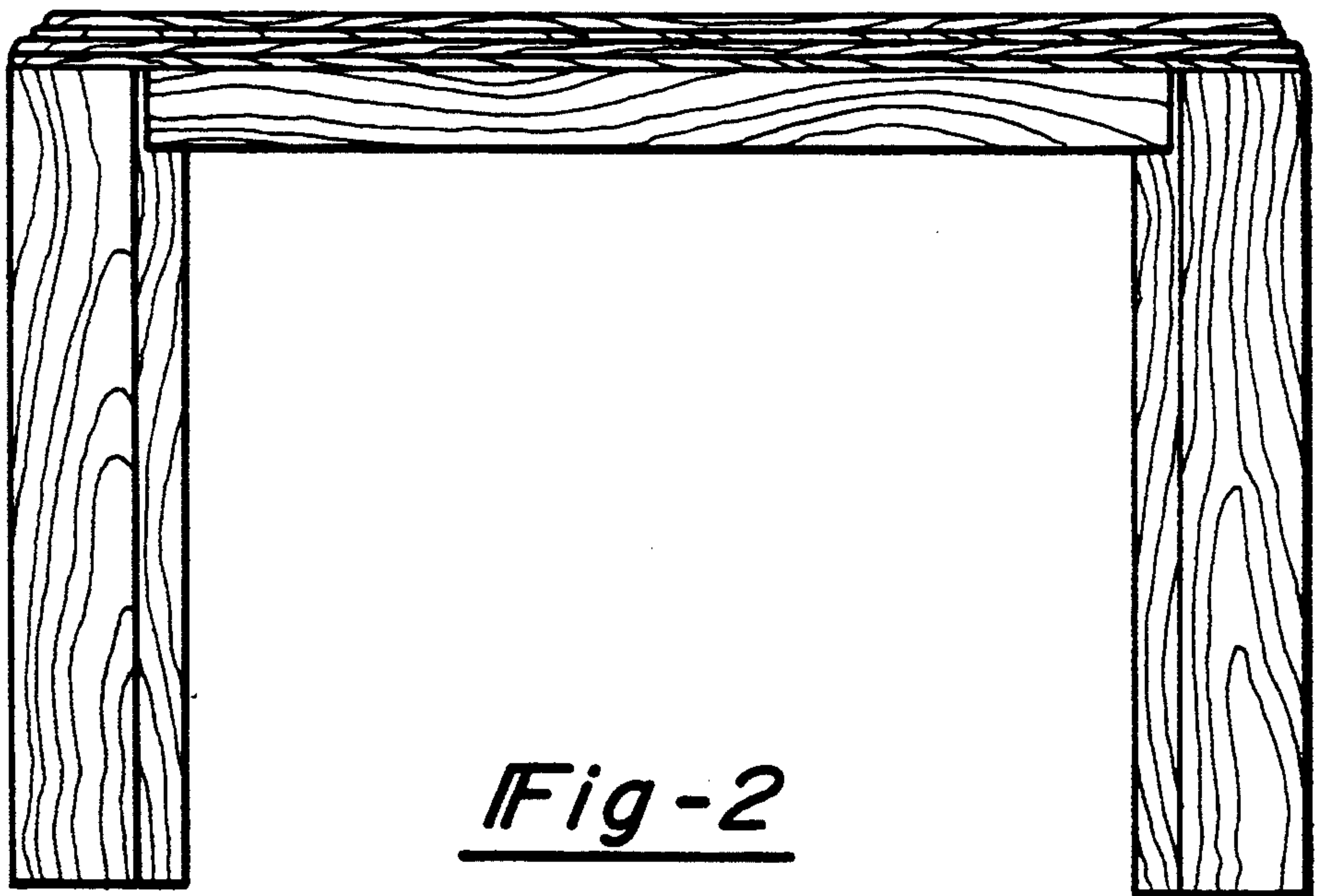


Fig-2

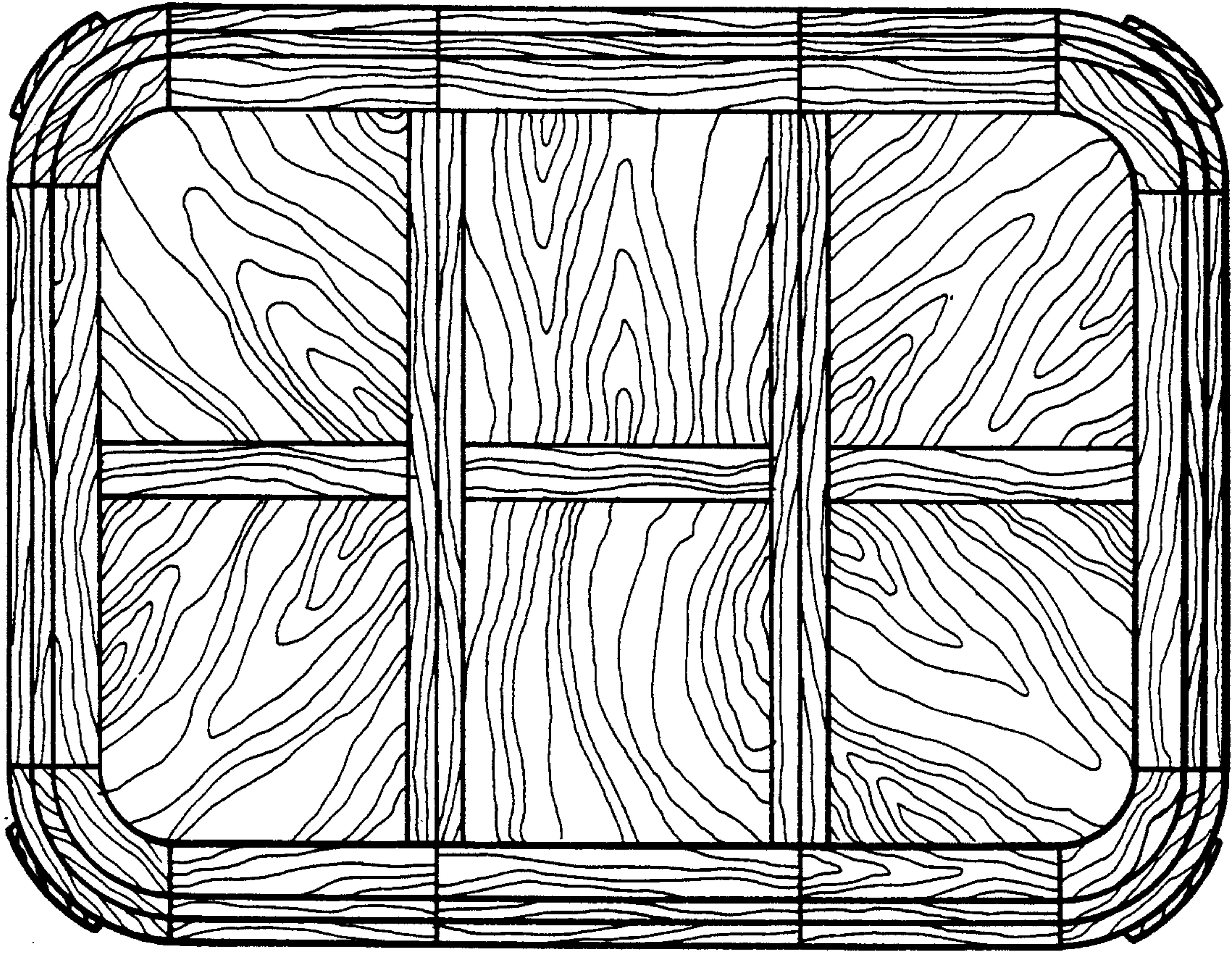


Fig-3

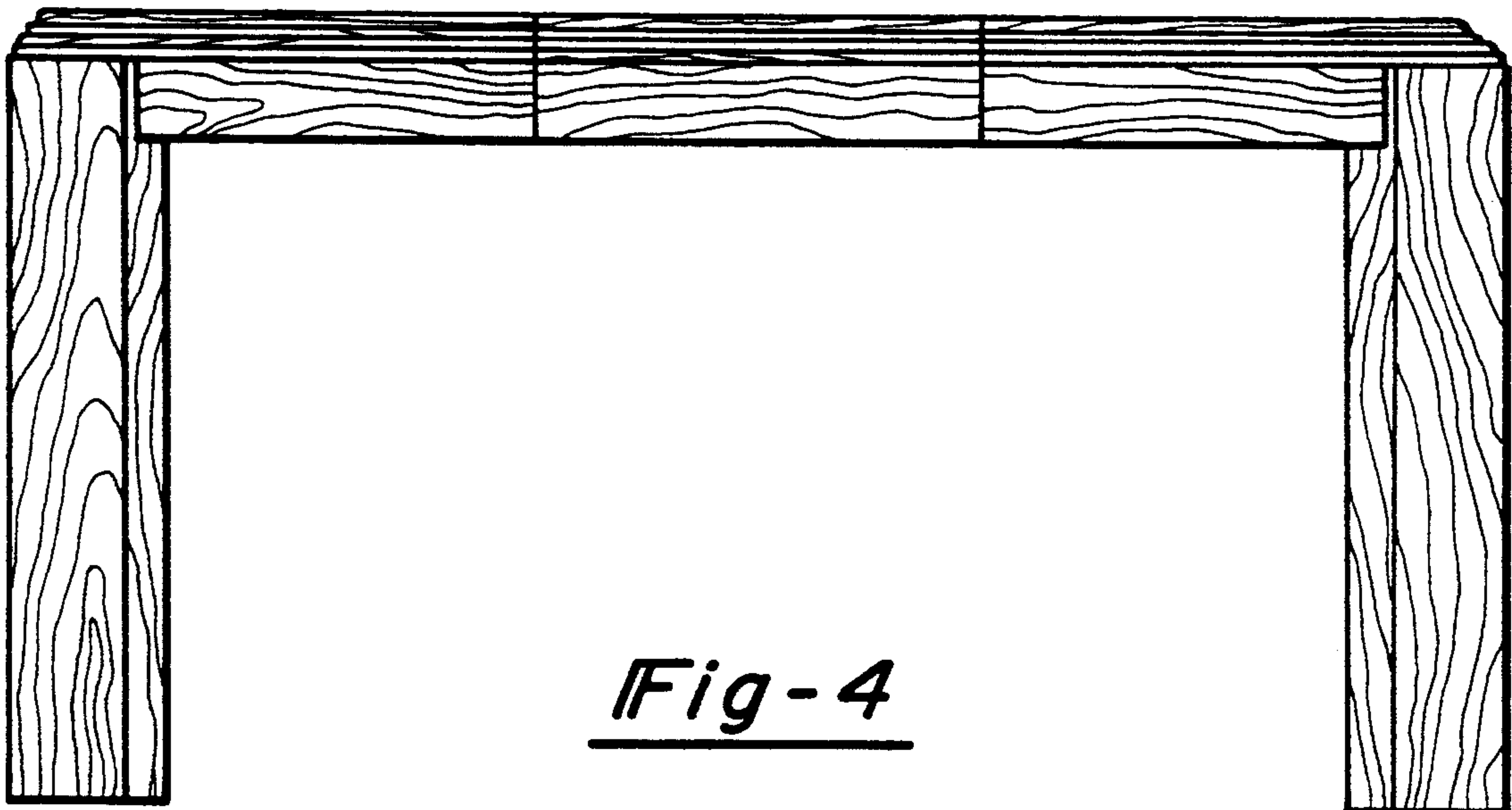


Fig-4