



US00D350855S

United States Patent [19]

Pomeroy et al.

[11] Patent Number: Des. 350,855

[45] Date of Patent: ** Sep. 27, 1994

[54] GLIDER

2,567,612 9/1951 McGehee 297/282 X

[75] Inventors: Charles Pomeroy; John T. Bycraft, both of South Bend, Ind.

[73] Assignee: Jack-Post Corporation, Buchanan, Mich.

[**] Term: 14 Years

[21] Appl. No.: 777,094

[22] Filed: Oct. 15, 1991

[52] U.S. Cl. D6/344; D6/334

[58] Field of Search D6/344, 346, 347, 370, D6/501; 297/181, 259, 261, 273, 282

[56] References Cited

U.S. PATENT DOCUMENTS

D. 121,462	7/1940	Tabb	D6/347
D. 135,777	6/1943	Smith	D6/347
D. 141,705	6/1945	Slaughter	D6/347
D. 165,835	2/1952	Glass	D6/347
D. 281,376	11/1985	Gregory, III	D6/344
D. 290,911	7/1987	Pomeroy et al.	D6/347
D. 298,490	11/1988	Pomeroy et al.	D6/347
D. 307,523	5/1990	Pomeroy et al.	D6/347
D. 310,604	9/1990	Pomeroy	D6/347
D. 325,823	5/1992	Pomeroy et al.	D6/344 X
D. 328,197	7/1992	Braxton, III	D6/501 X
D. 334,485	4/1993	Pomeroy et al.	D6/344
D. 338,563	8/1993	Chiang	D6/344

OTHER PUBLICATIONS

- Double Glider by Behlen Mfg. Co.
- Glider by Iron Mountain Forge.
- Glider by Cardinal American Holiday Club WGL-10V.
- Glider by Cardinal American Holiday Club Model WGL-10.
- Glider by Cardinal American Patio Mates GL-10.
- Glider by Oakwood Manufacturing Inc.
- Glider by Flanders Industries.
- Glider by Jack-Post Corporation Model FRGL.

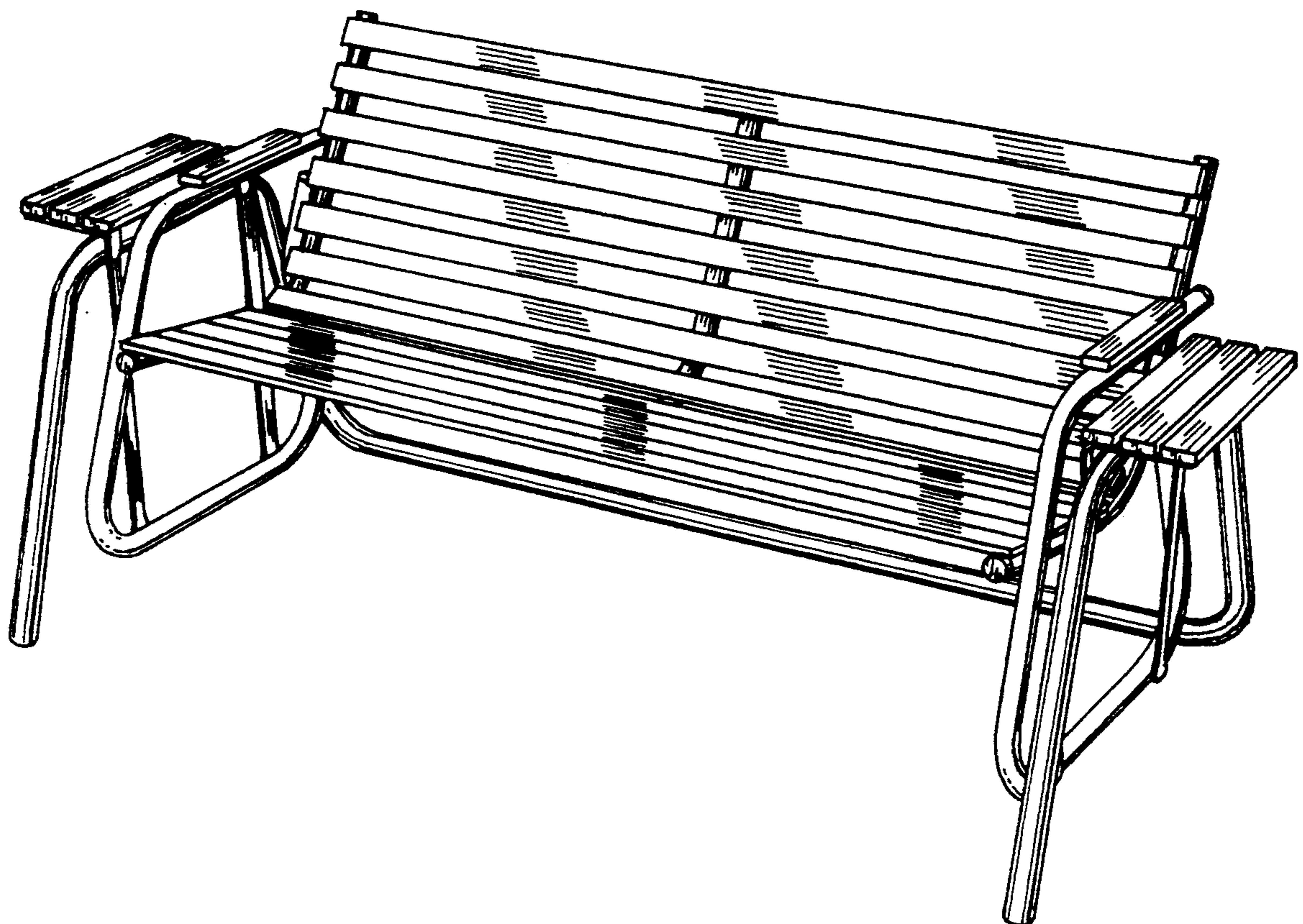
Primary Examiner—Alan P. Douglas
 Assistant Examiner—Monica A. Hannon
 Attorney, Agent, or Firm—Arnold, White & Durkee

[57] CLAIM

The ornamental design for glider, as shown and described.

DESCRIPTION

FIG. 1 is a front perspective view of the glider showing our new design;
 FIG. 2 is an end elevational view;
 FIG. 3 is a front elevational view;
 FIG. 4 is a rear elevational view;
 FIG. 5 is a top plan view; and,
 FIG. 6 is a bottom plan view thereof.



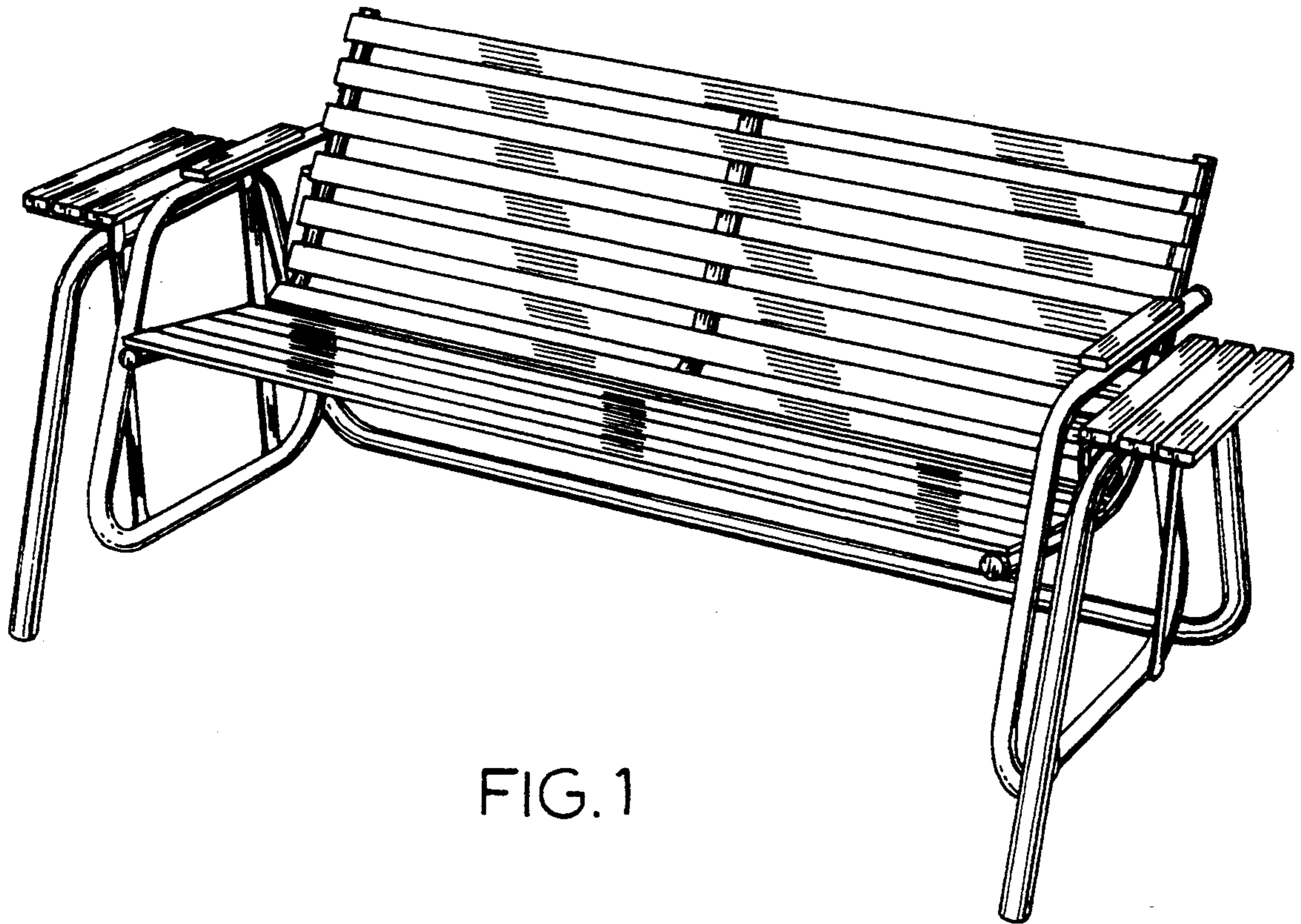


FIG. 1

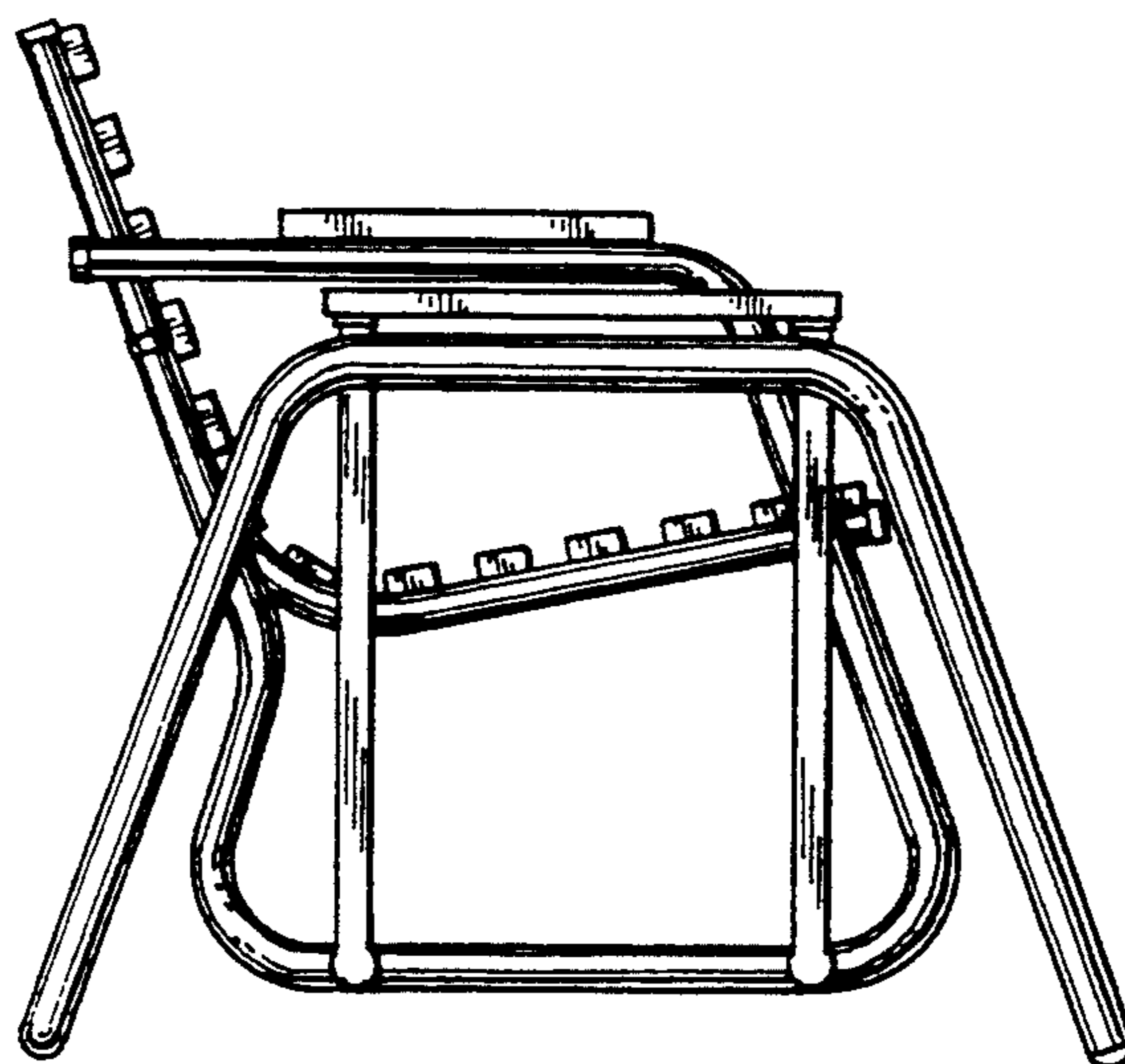


FIG. 2

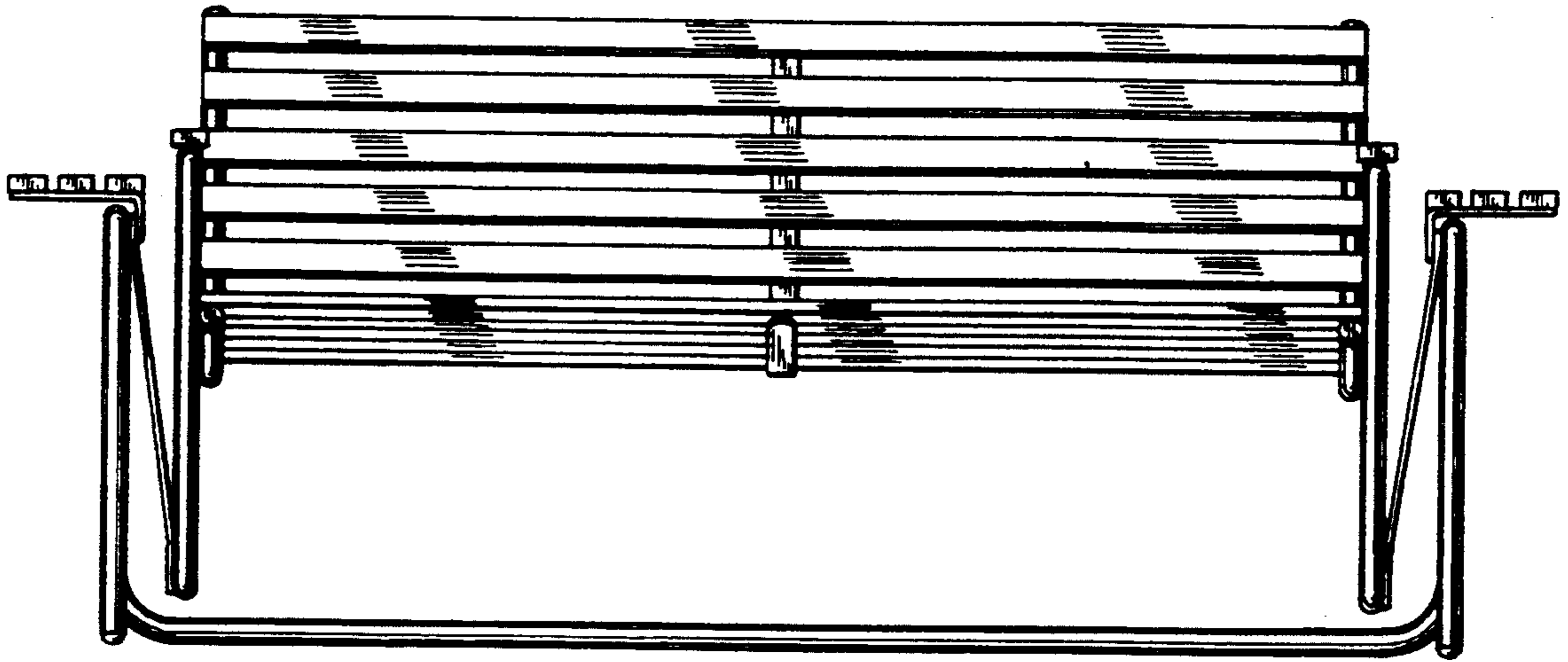


FIG. 3

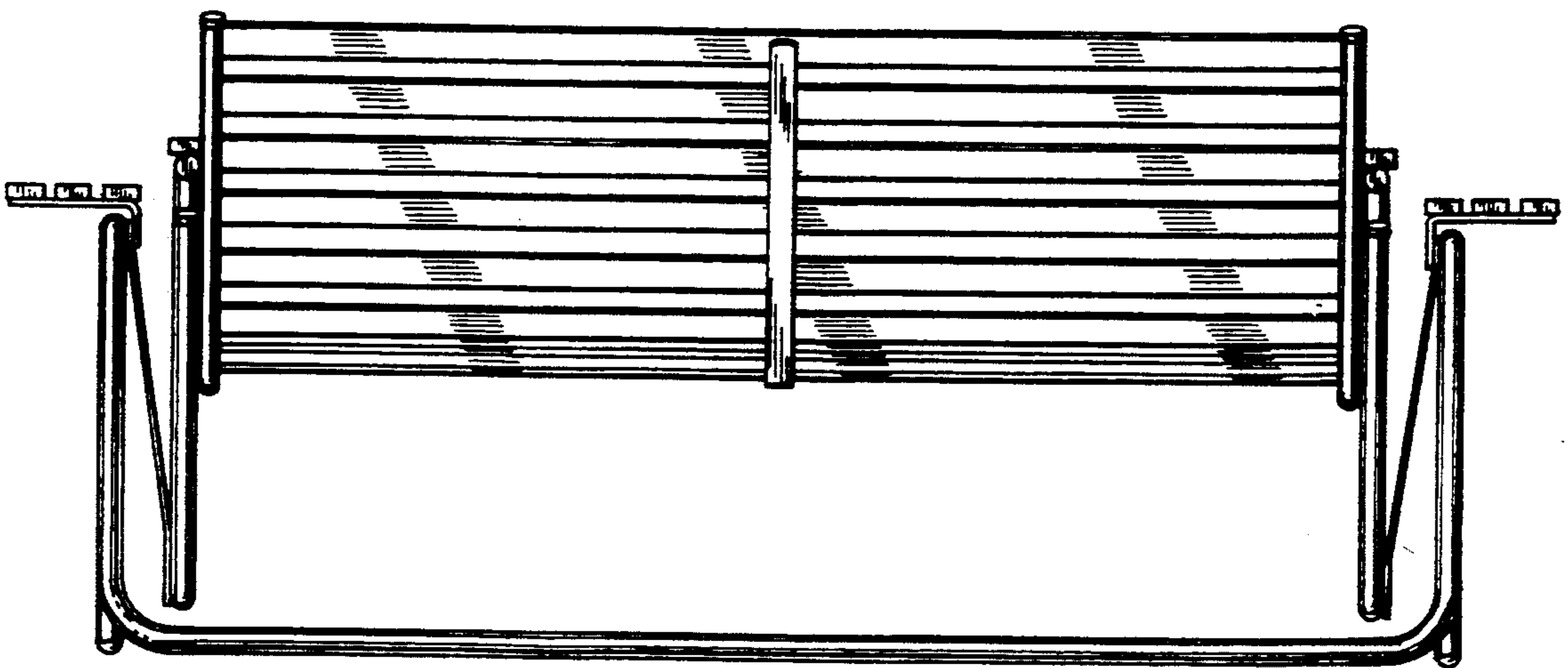


FIG. 4

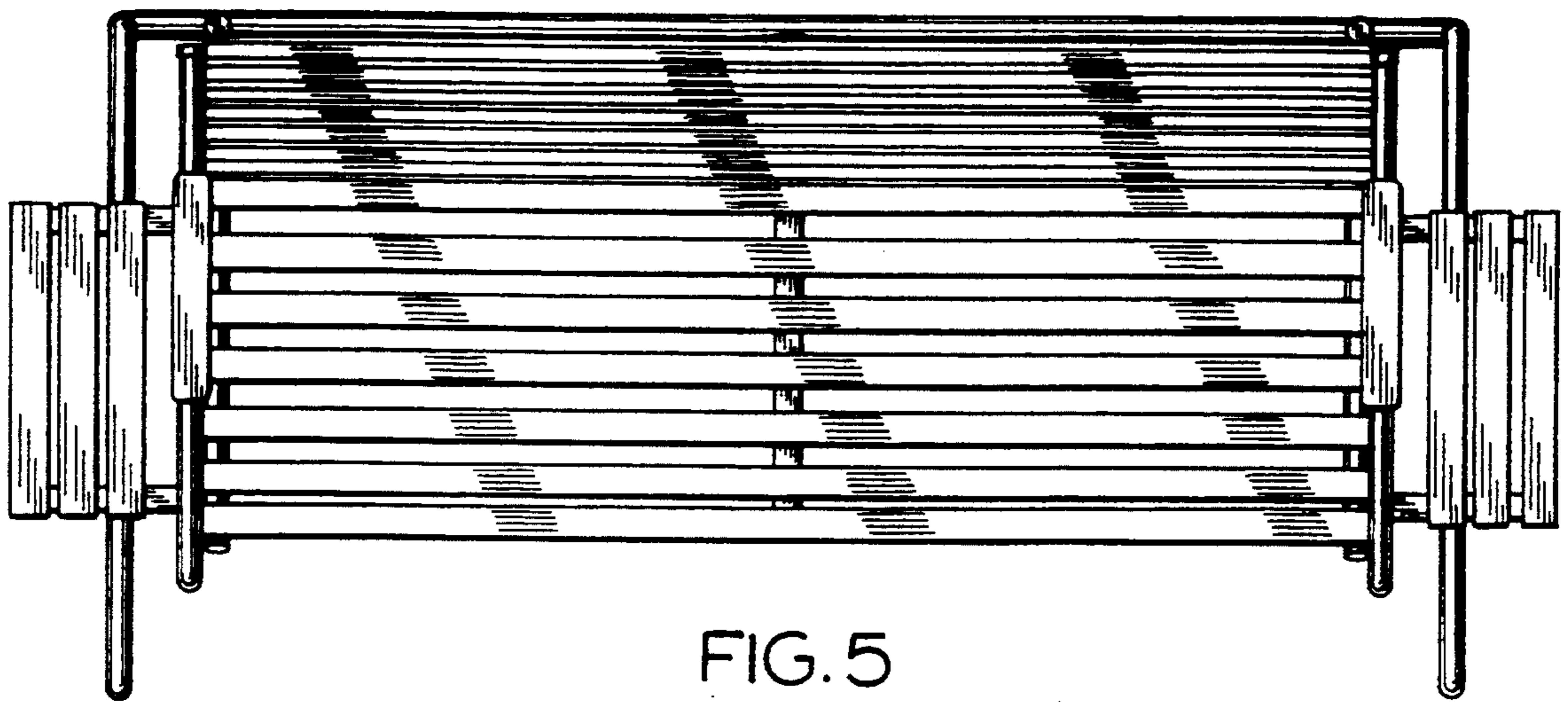


FIG. 5

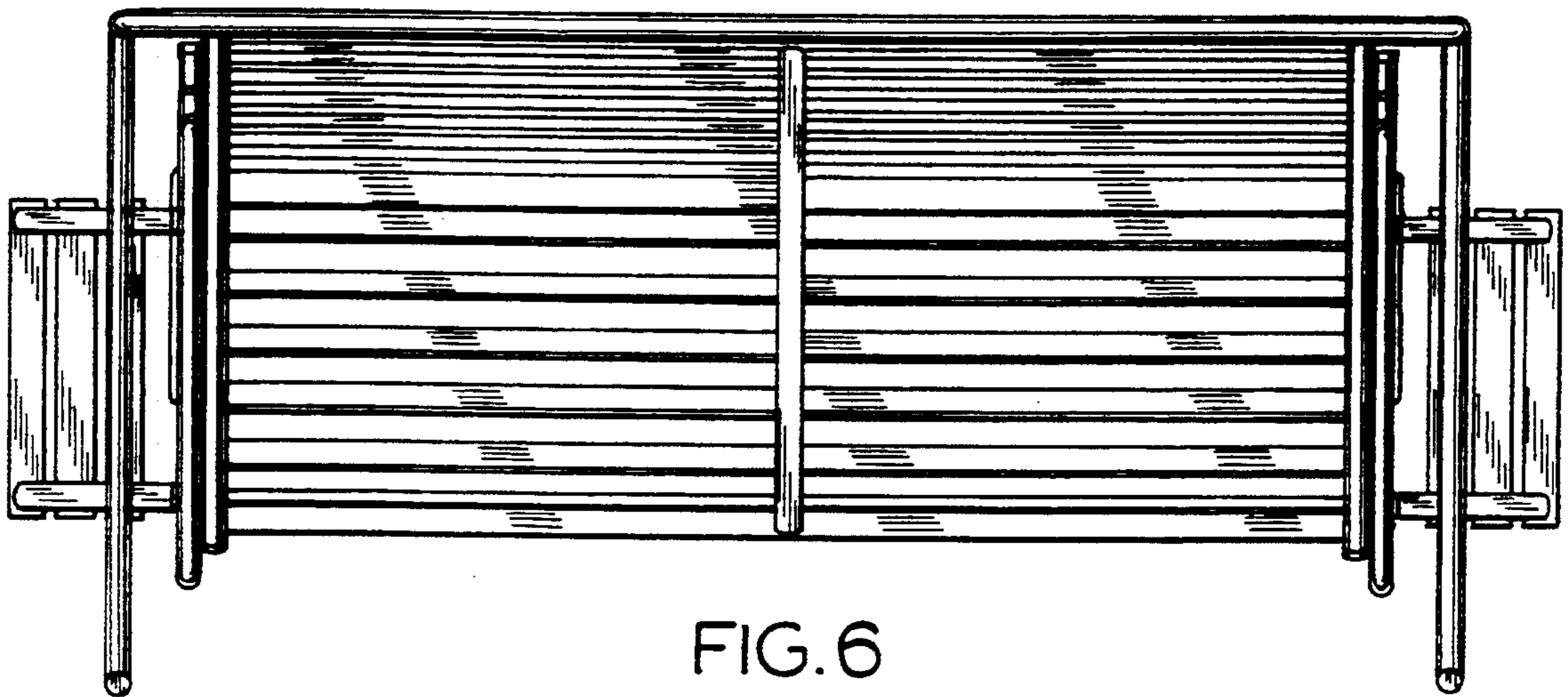


FIG. 6



US00D350855B1

(12) **REEXAMINATION CERTIFICATE** (4514th)

United States Patent

Pomeroy et al.

(10) **Number:** **US D350,855 C1**

(45) **Certificate Issued:** **Jan. 8, 2002**

(54) **GLIDER**

(75) **Inventors:** **Charles Pomeroy; John T. Bycraft,**
both of South Bend, IN (US)

(73) **Assignee:** **Jack-Post Corporation,** Buchanan, MI
(US)

Reexamination Request:

No. 90/005,348, May 3, 1999

Reexamination Certificate for:

Patent No.: **Des. 350,855**
Issued: **Sep. 27, 1994**
Appl. No.: **07/777,094**
Filed: **Oct. 15, 1991**

(51) **LOC (7) Cl.** **06-01**

(52) **U.S. Cl.** **D6/344**

(58) **Field of Search** **D6/334, 344, 347**

(56) **References Cited**

U.S. PATENT DOCUMENTS

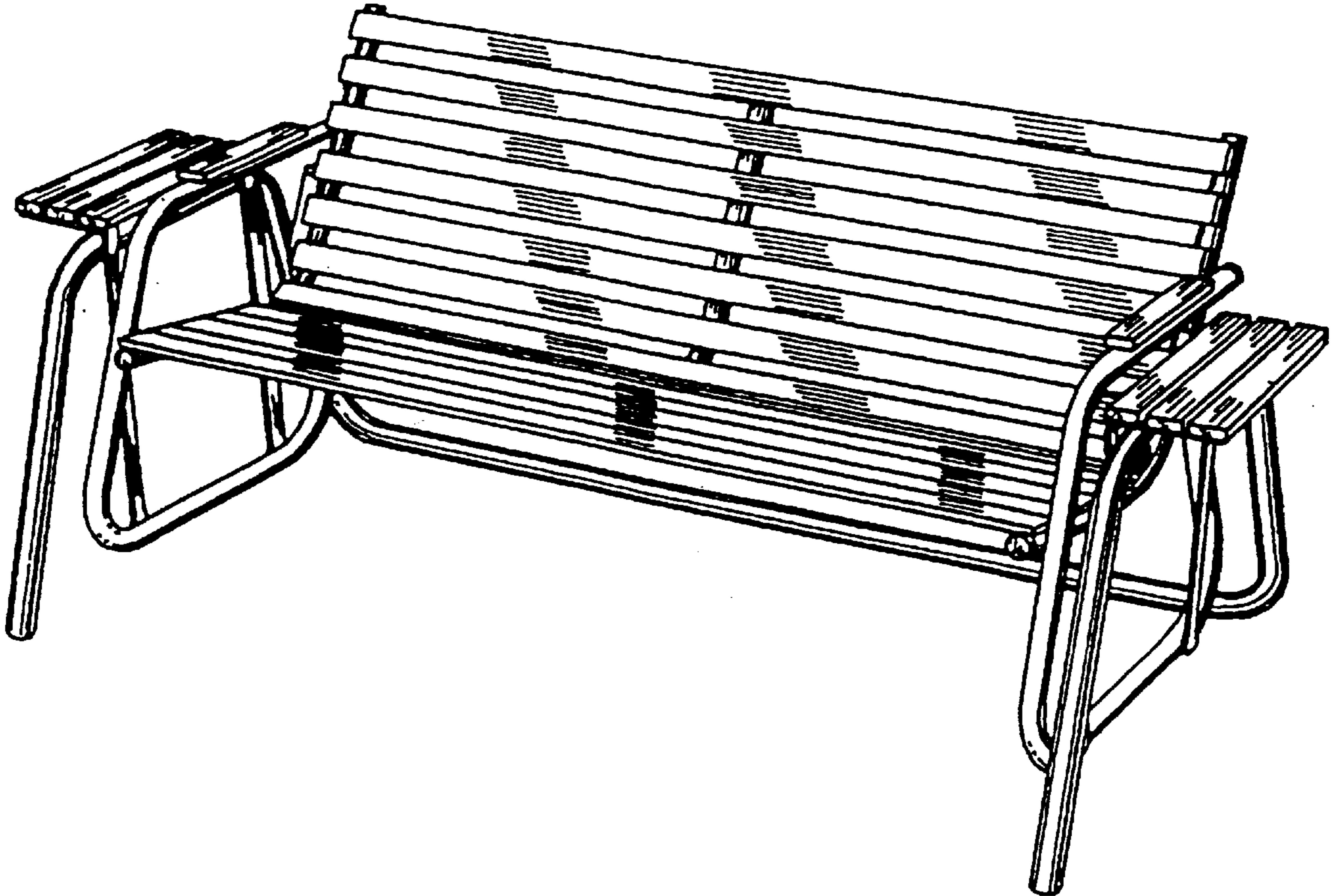
D165,835 S * 2/1952 Glass D6/347
D307,523 S * 5/1990 Pomeroy et al. D6/347
D334,485 S * 4/1993 Pomeroy et al. D6/344
D338,563 S * 8/1993 Chiang D6/344

OTHER PUBLICATIONS

Flanders Industries, Inc. Royal Park Outdoor Furniture
Glider from late 1980's.

* cited by examiner

Primary Examiner—Doris Clark



1

**REEXAMINATION CERTIFICATE
ISSUED UNDER 35 U.S.C. 307
NO AMENDMENTS HAVE BEEN
MADE TO THE PATENT**

2

AS A RESULT OF REEXAMINATION, IT HAS BEEN
DETERMINED THAT:

The patentability of the single claim is confirmed.

* * * * *