



US00D350852S

# United States Patent [19]

[11] Patent Number: Des. 350,852

Ferrazzutti

[45] Date of Patent: \*\* Sep. 27, 1994

[54] VACUUM CLEANER ATTACHABLE DOG BRUSH

3,955,238	5/1976	Remijas .....	15/402
4,190,924	3/1980	Nicholson .....	15/402
4,630,329	12/1986	Shores .....	15/402

[76] Inventor: Lorne Ferrazzutti, 924 Condor Drive, Burlington Ontario, CN, Canada, L7T 3A9

Primary Examiner—Wallace R. Burke  
Assistant Examiner—Lavone D. Tabor  
Attorney, Agent, or Firm—Terry M. Gernstein

[\*\*] Term: 14 Years

[57] CLAIM

[21] Appl. No.: 877,047

The ornamental design for a vacuum cleaner attachable dog brush, as shown and described.

[22] Filed: Apr. 30, 1992

[52] U.S. Cl. .... D4/129; D32/33

DESCRIPTION

[58] Field of Search ..... D4/115, 121, 127, 129-130, D4/134, 136, 138; 15/159.1, 160, 396-400, 402; 119/83, 85; D30/158; D32/25, 31-33

FIG. 1 is a perspective view of the vacuum cleaner attachable dog brush embodying the design of the present invention;

[56] References Cited

U.S. PATENT DOCUMENTS

1,083,087	12/1913	Griffiths .....	15/402
1,770,749	7/1930	Engberg et al. ....	15/402
1,808,178	6/1931	Santini .....	15/399
2,036,789	4/1936	Baker .....	15/398

FIG. 2 is a front end elevational view thereof;

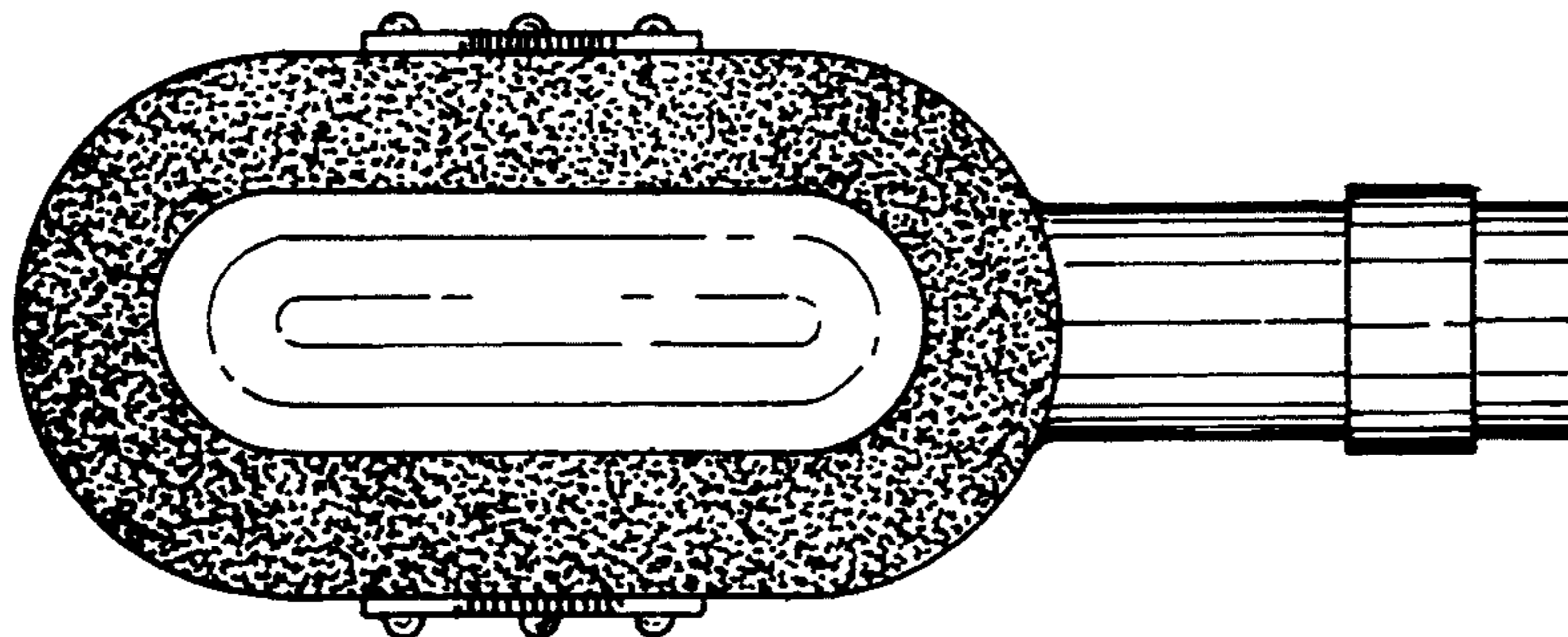
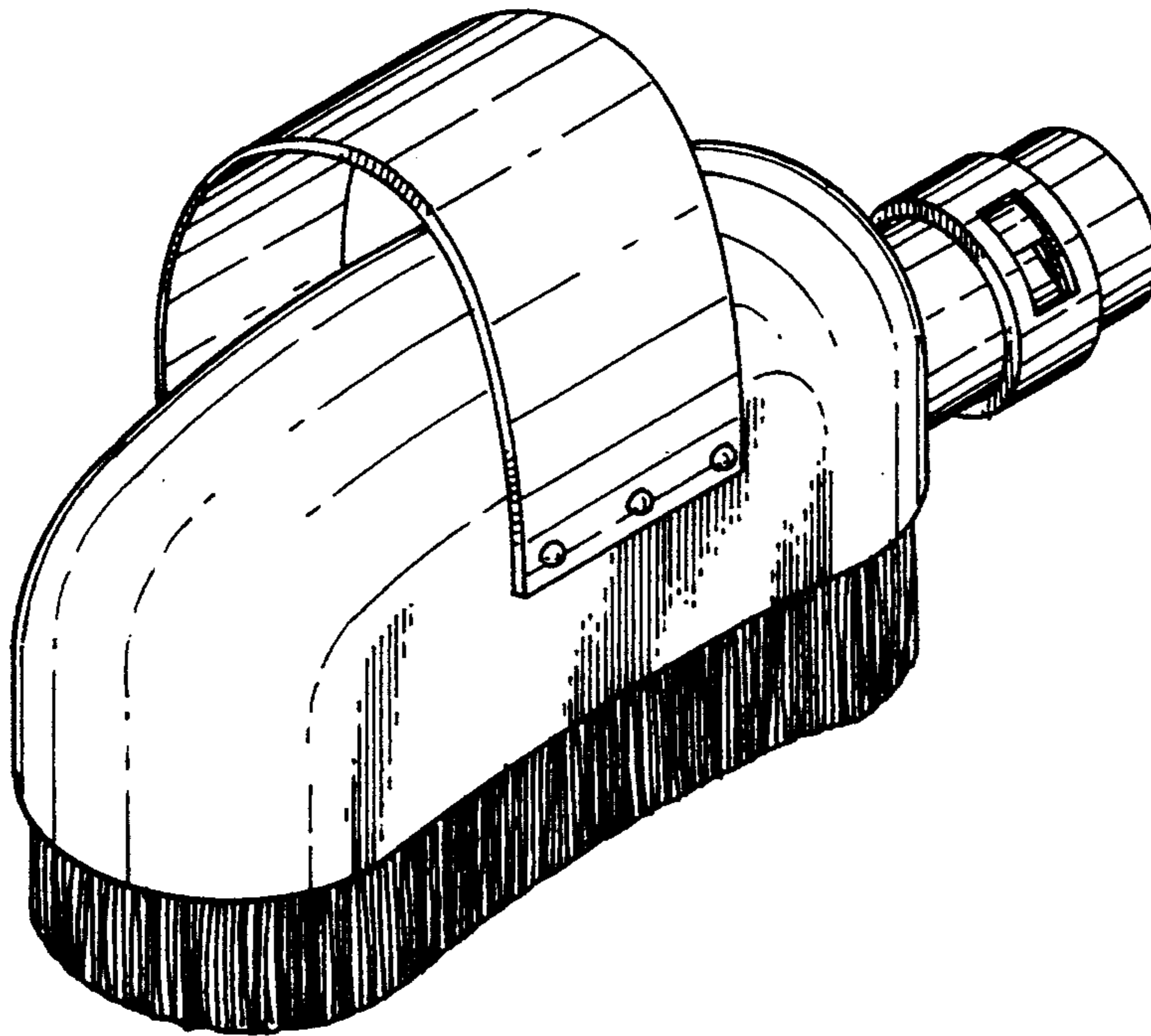
FIG. 3 is a rear end elevational view thereof;

FIG. 4 is a side elevational view thereof;

FIG. 5 is the opposite side elevational view thereof;

FIG. 6 is a top plan view thereof; and,

FIG. 7 is a bottom view thereof.



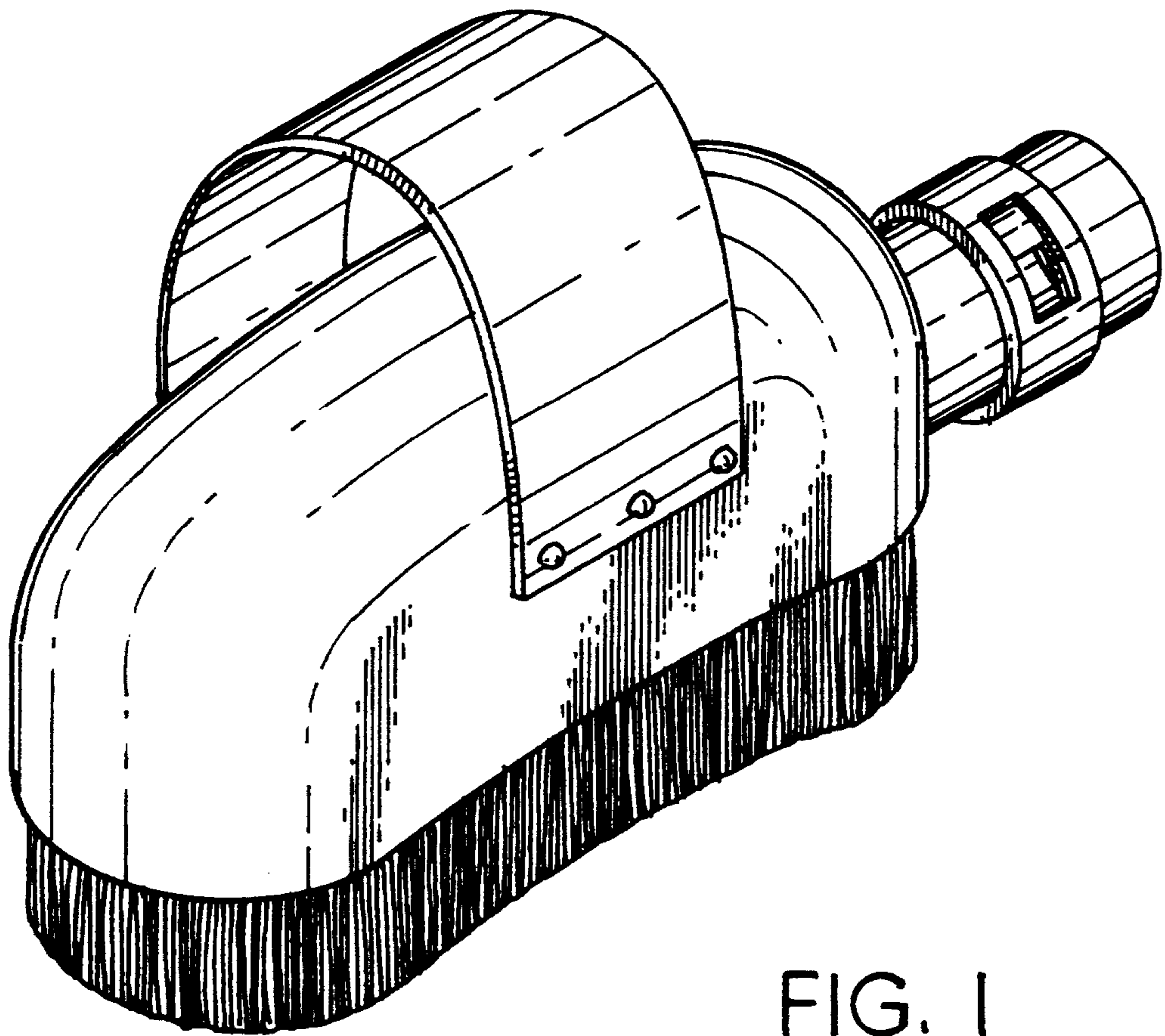


FIG. 1

FIG. 2

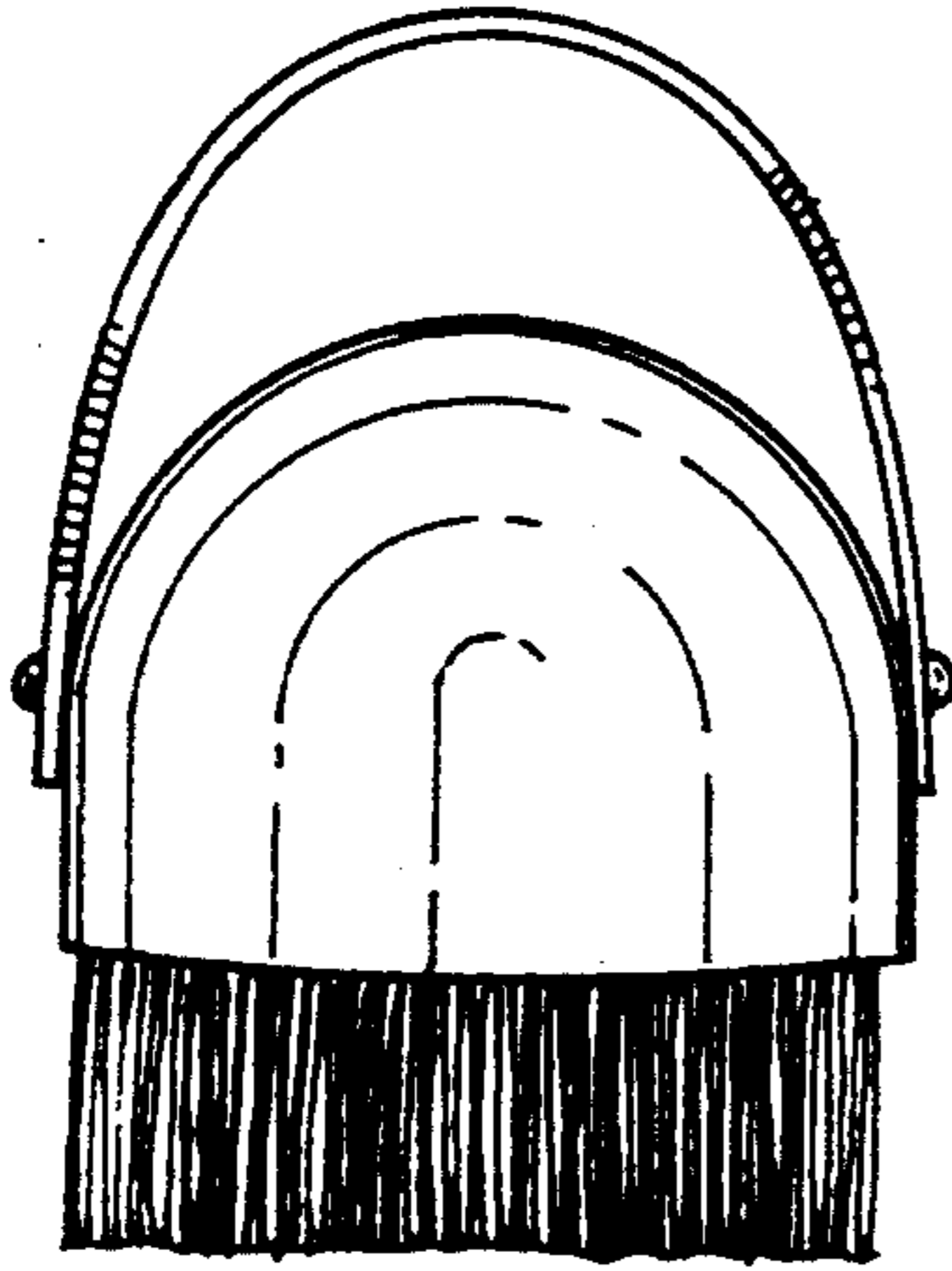


FIG. 3

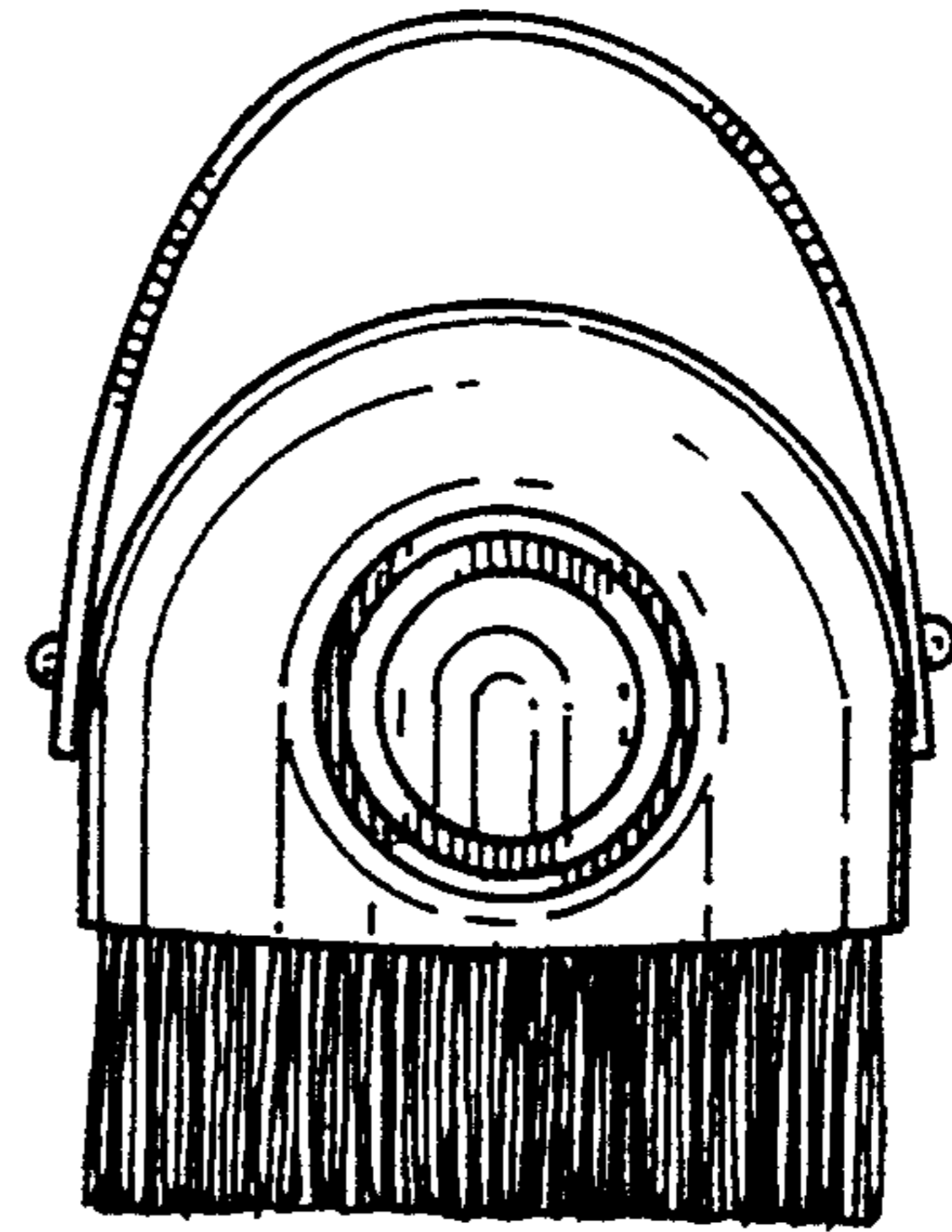


FIG. 4

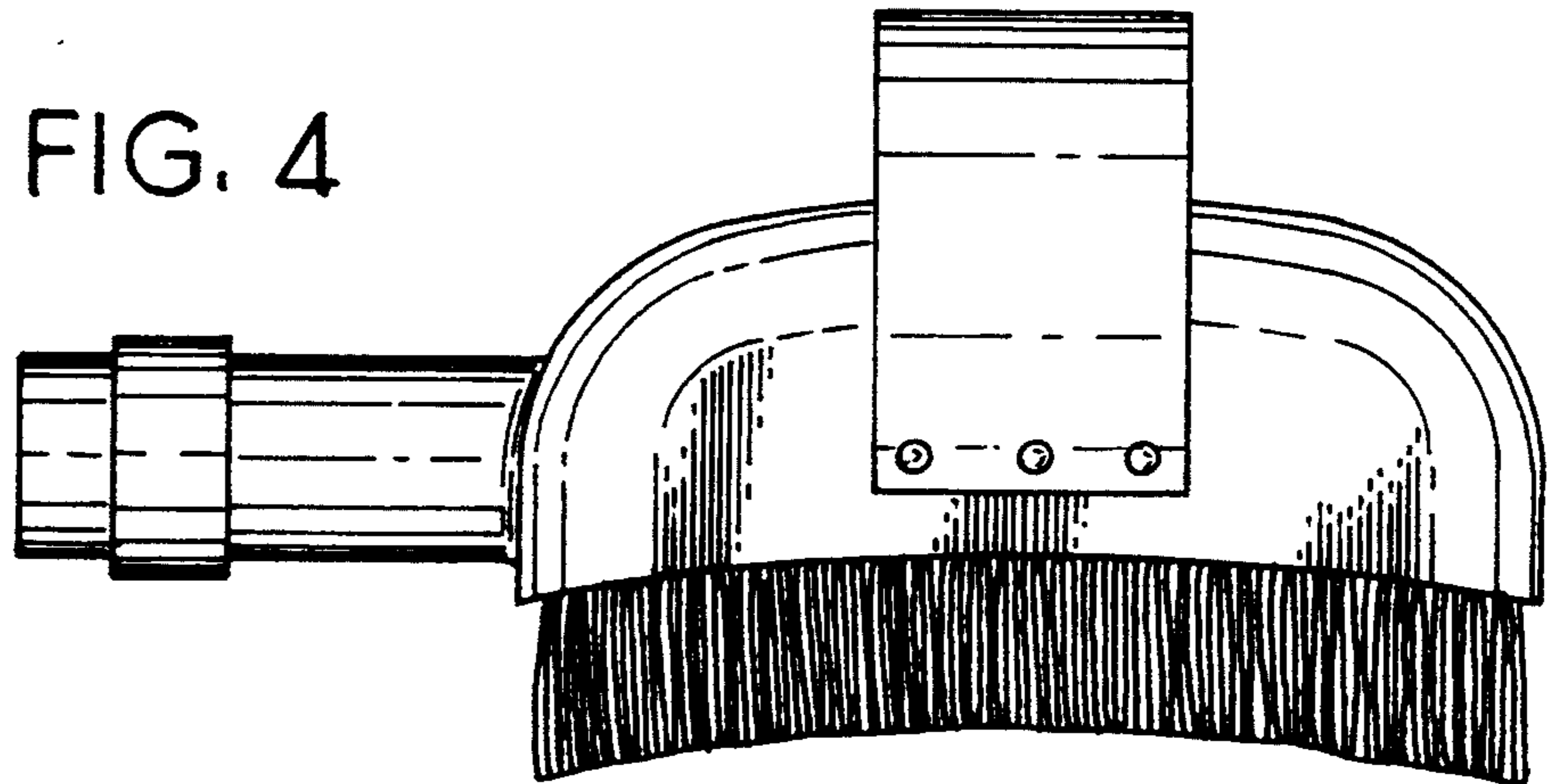
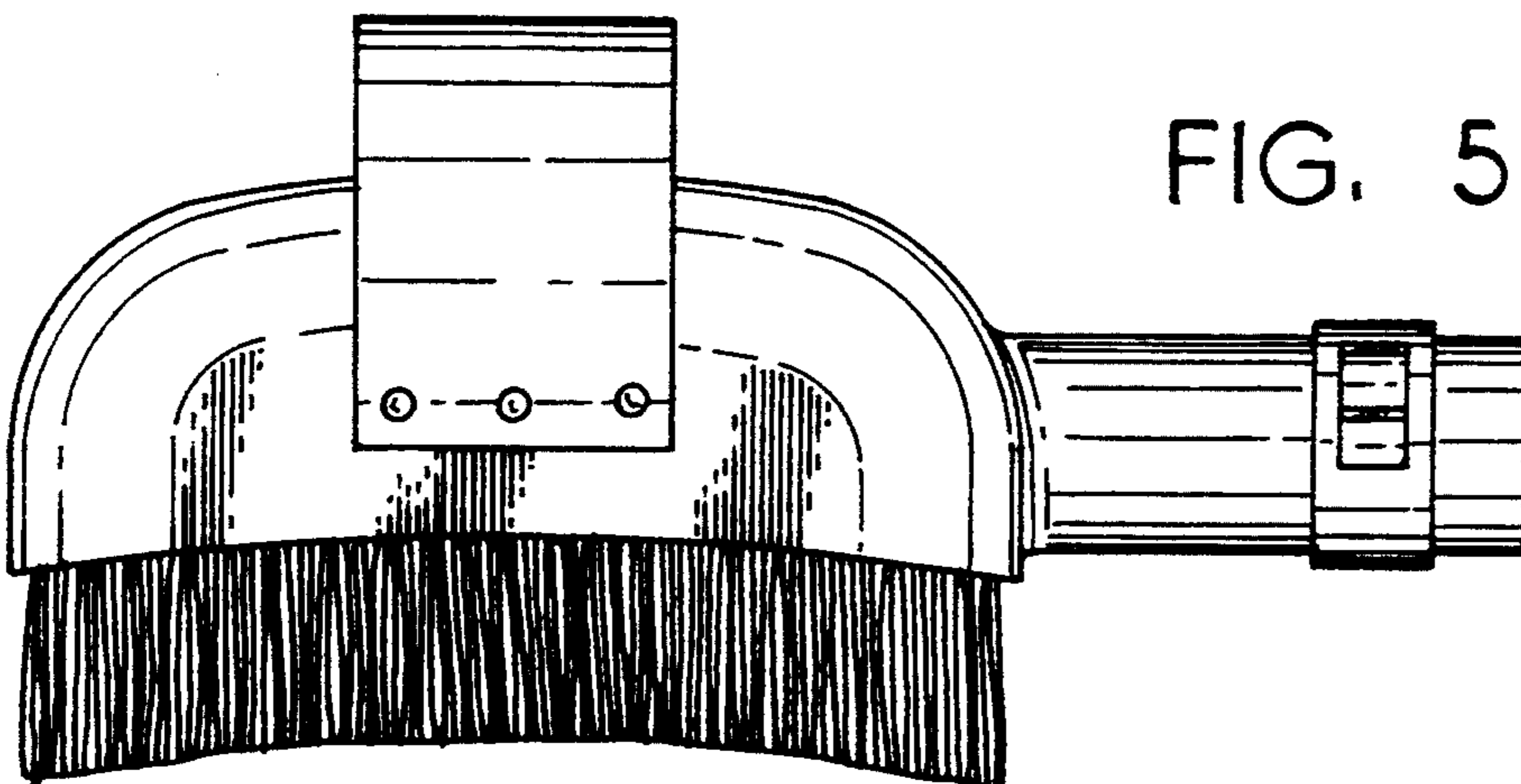


FIG. 5



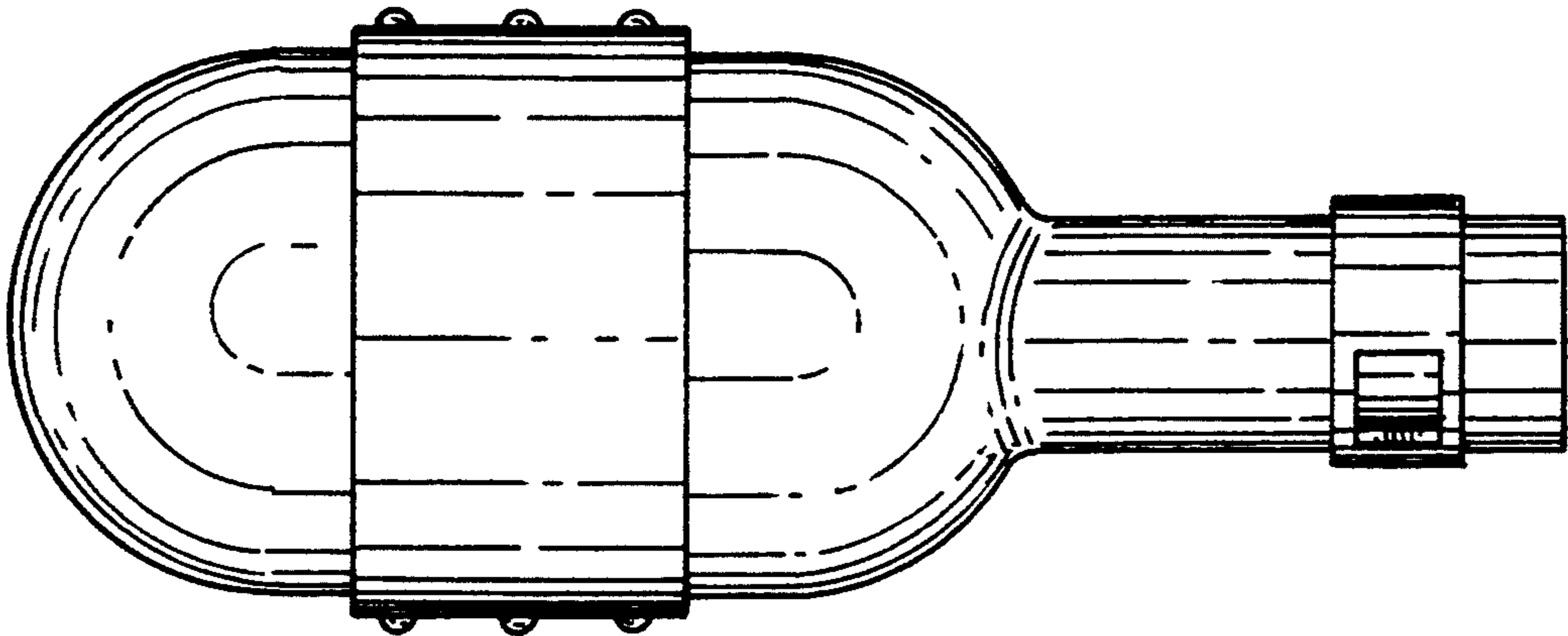


FIG. 6

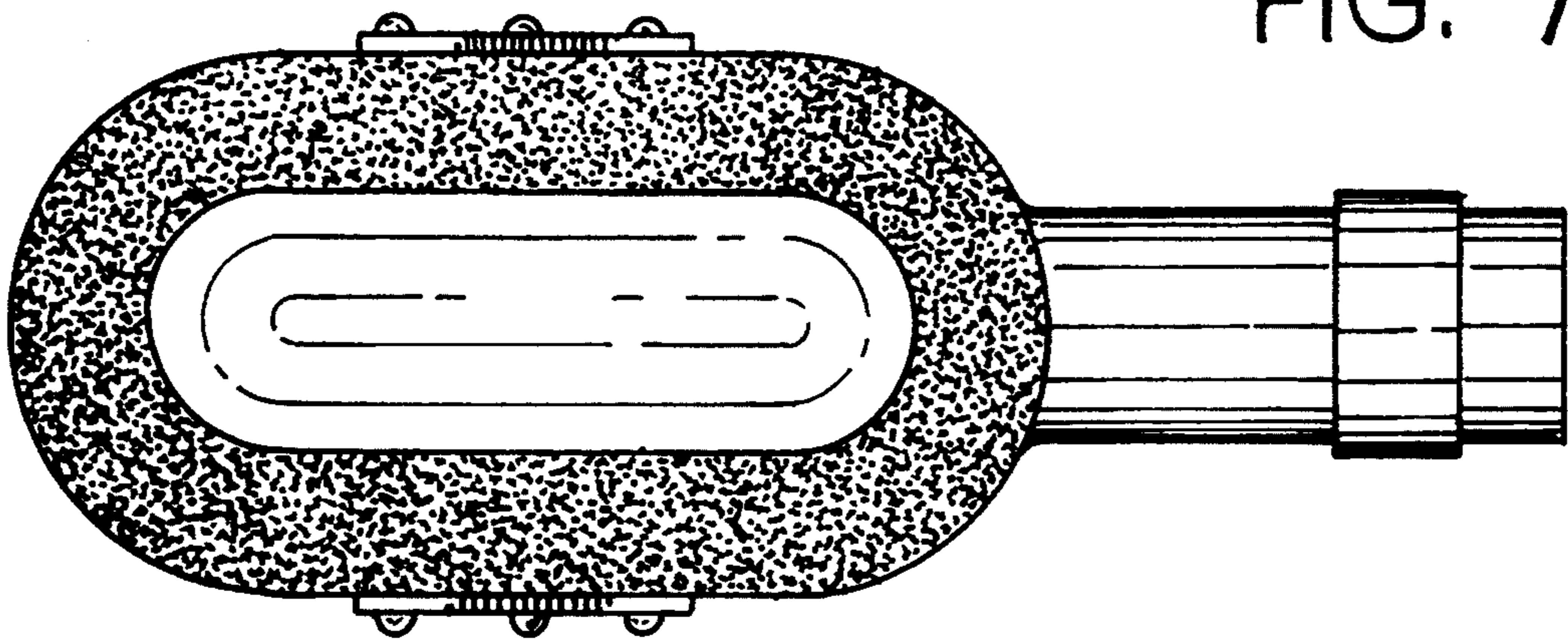


FIG. 7