



US00D350850S

United States Patent [19]

Angelini

[11] Patent Number: Des. 350,850

[45] Date of Patent: ** Sep. 27, 1994

[54] JEWELRY CASE

[75] Inventor: Lamberto Angelini, Bologna, Italy

[73] Assignee: Paolo Maniglio, Bologna, Italy

[**] Term: 14 Years

[21] Appl. No.: 9,561

[22] Filed: Apr. 20, 1993

[52] U.S. Cl. D3/273; D3/292;
D3/294

[58] Field of Search D3/273, 292, 294;
D9/424, 426, 432; 206/278, 305, 349

[56] References Cited

U.S. PATENT DOCUMENTS

- D. 106,777 11/1937 Voight et al. D3/294
- D. 161,067 11/1950 Thomson D3/294
- D. 236,291 8/1975 Schurman D3/273 X

- D. 330,913 11/1992 Hiromori D3/294 X
- D. 333,727 3/1993 Schurman D3/294 X

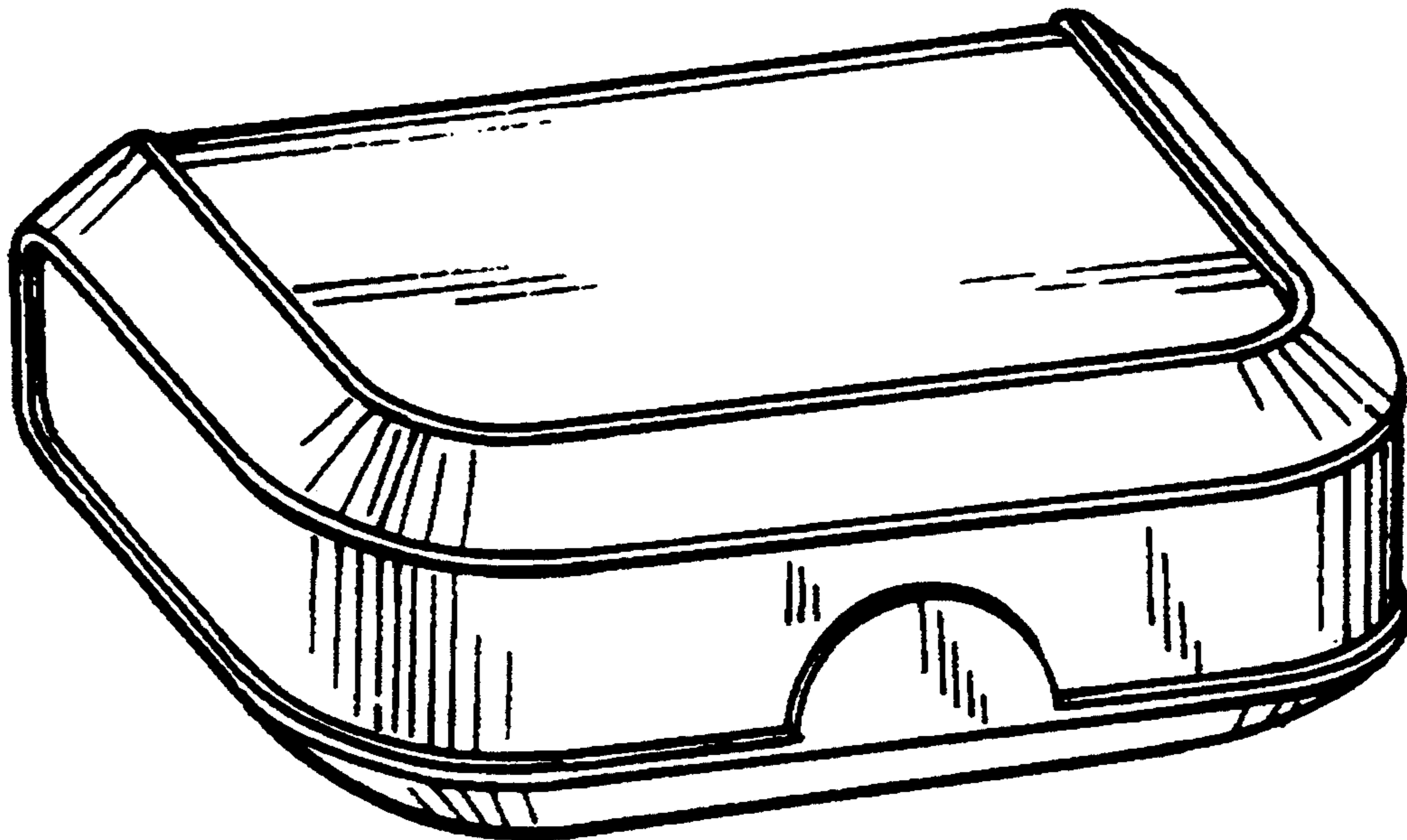
Primary Examiner—Bernard Ansher
 Assistant Examiner—Dominic Simone
 Attorney, Agent, or Firm—Guido Modiano; Albert Josif;
 Daniel O'Byrne

[57] CLAIM

The ornamental design for jewelry-case, as shown.

DESCRIPTION

FIG. 1 is a perspective view of the jewelry-case showing my new design;
 FIG. 2 is a front view thereof;
 FIG. 3 is a rear view thereof;
 FIG. 4 is a view of one side thereof;
 FIG. 5 is a view of the other side thereof;
 FIG. 6 is a plan view thereof, taken from above; and,
 FIG. 7 is a plan view thereof, taken from below.



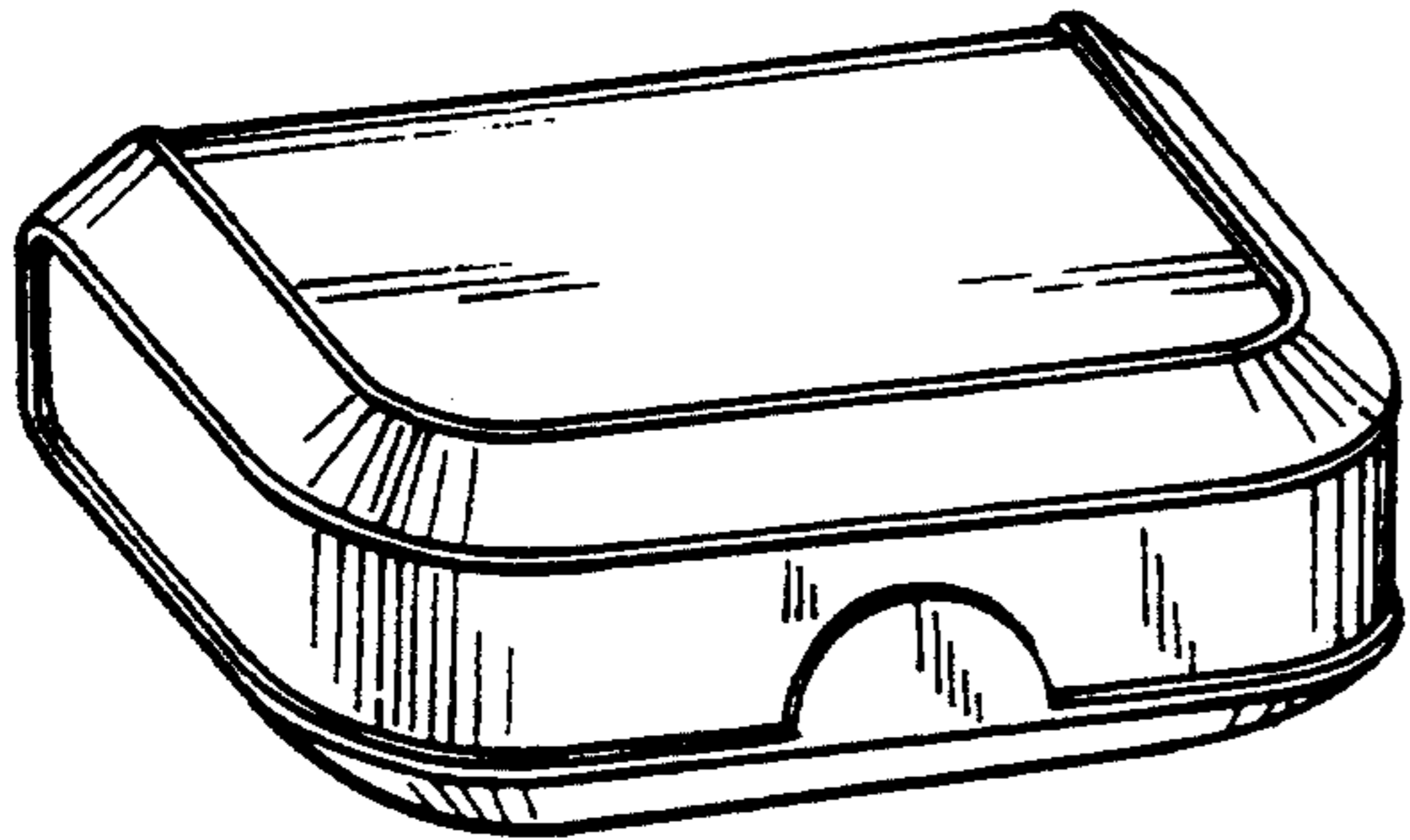


FIG. 1

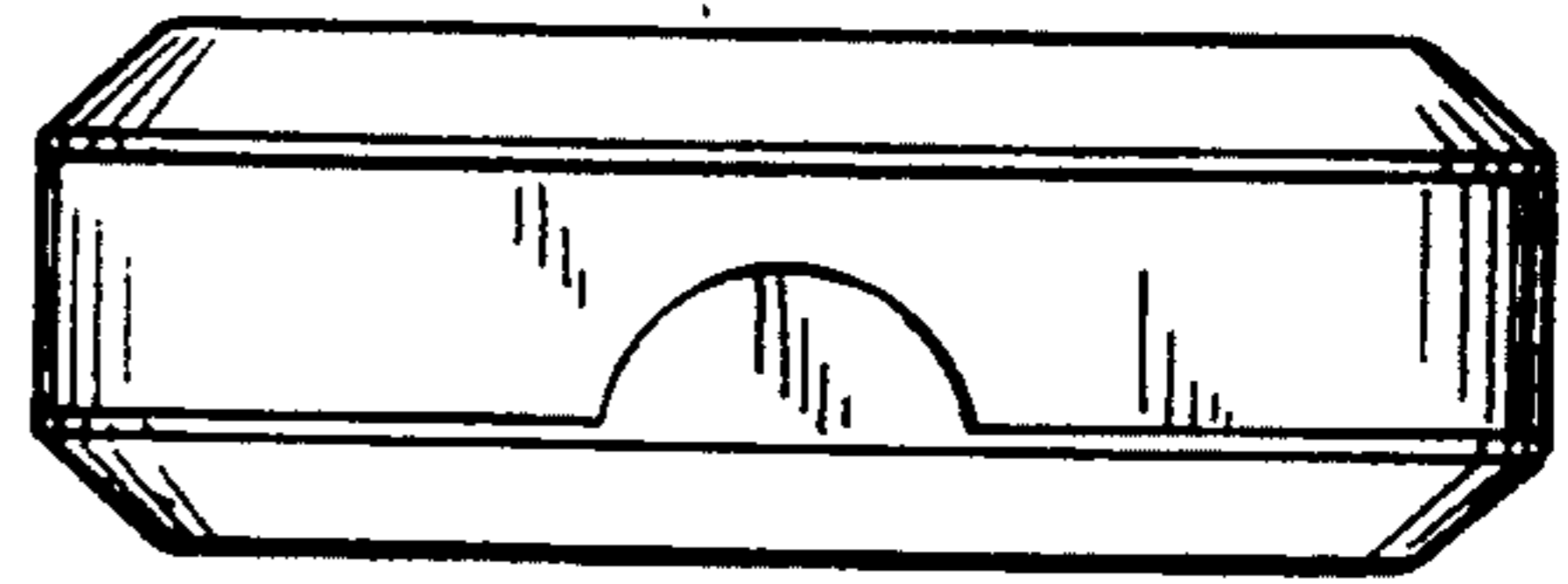


FIG. 2

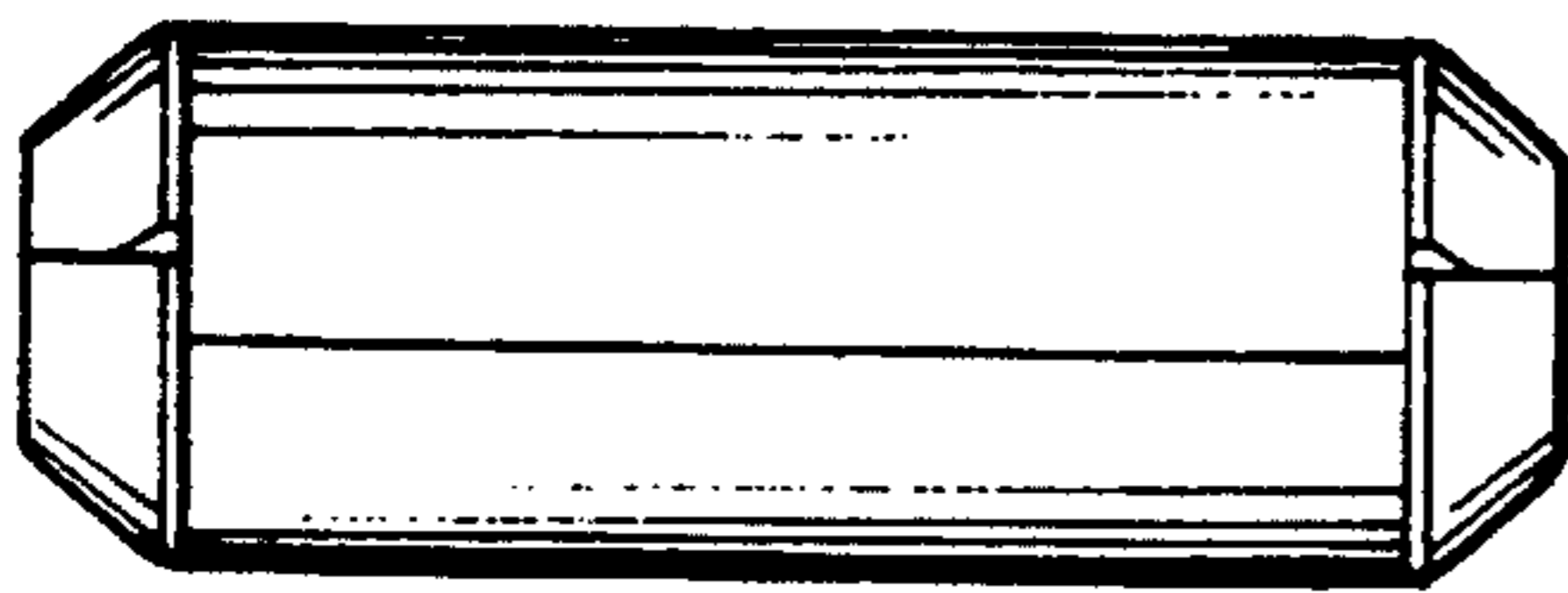


FIG. 3

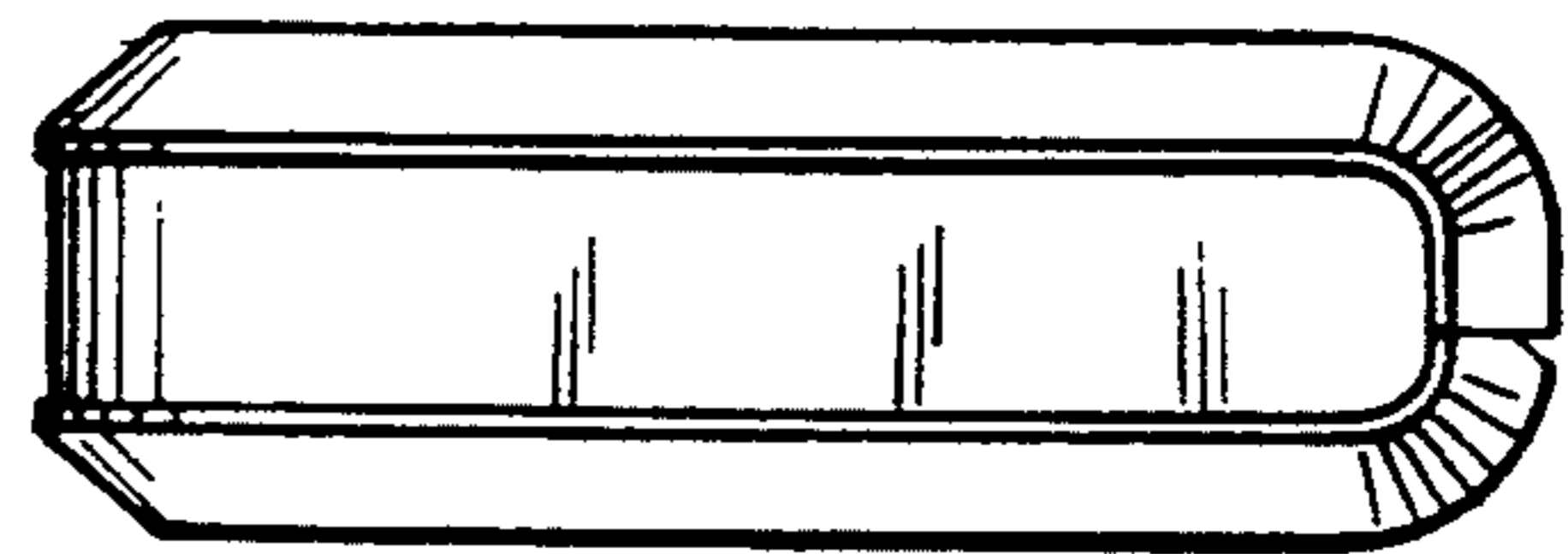


FIG. 4

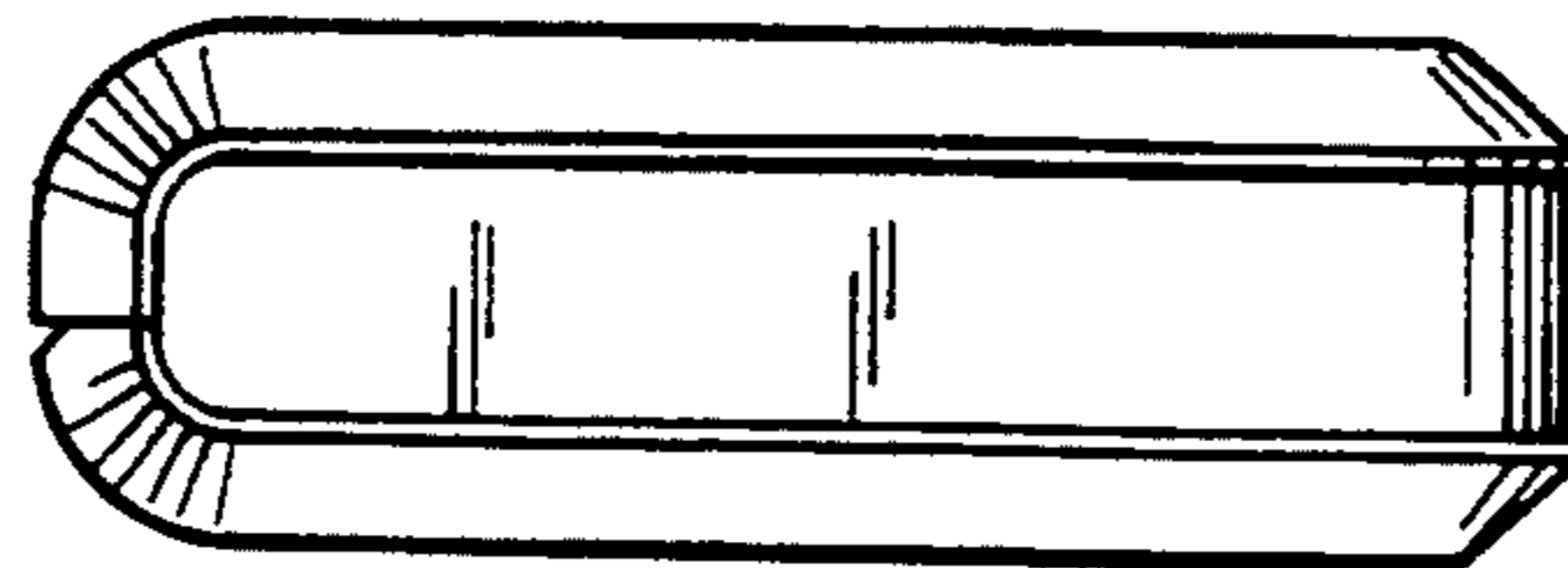


FIG. 5

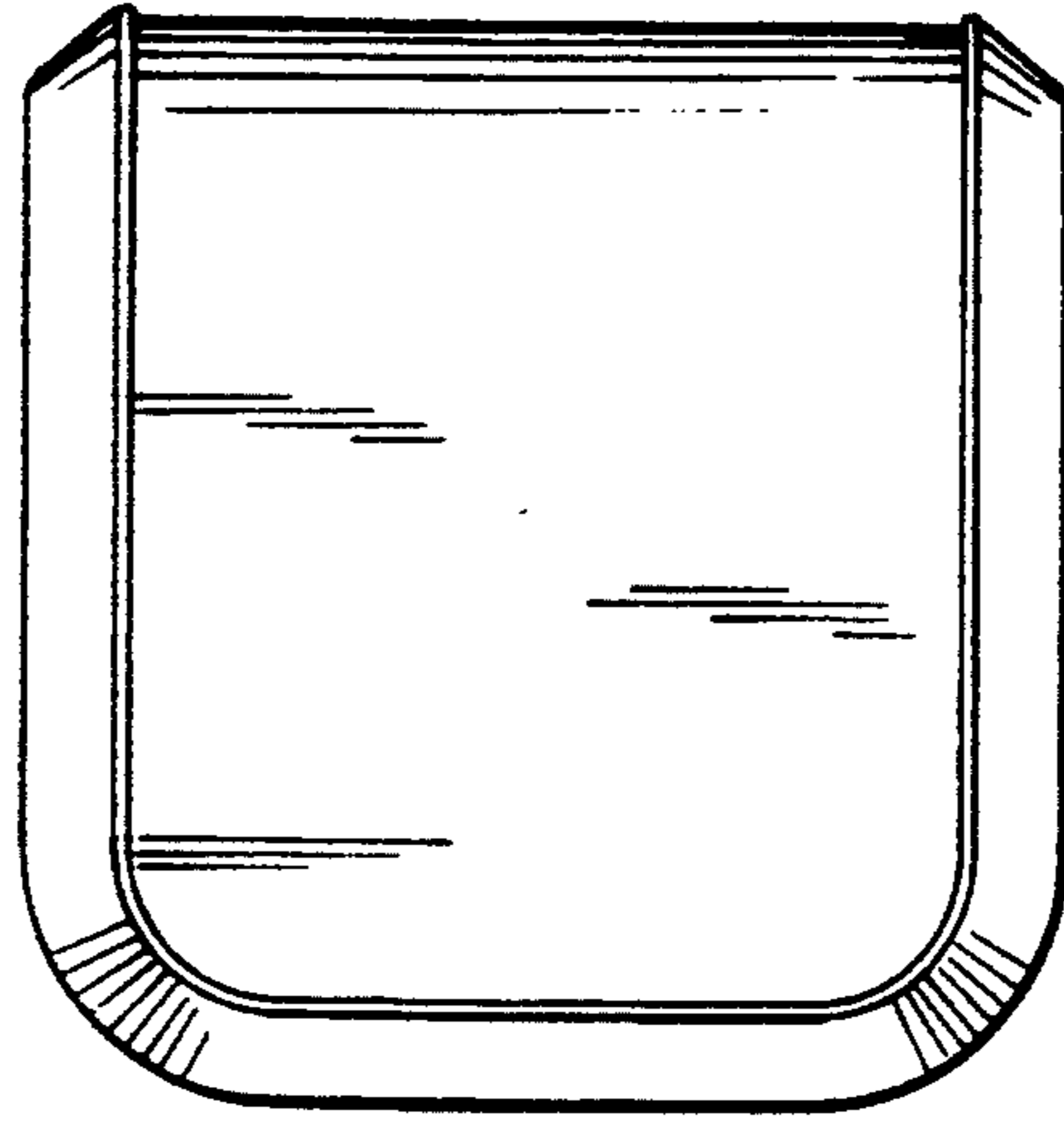


FIG. 6

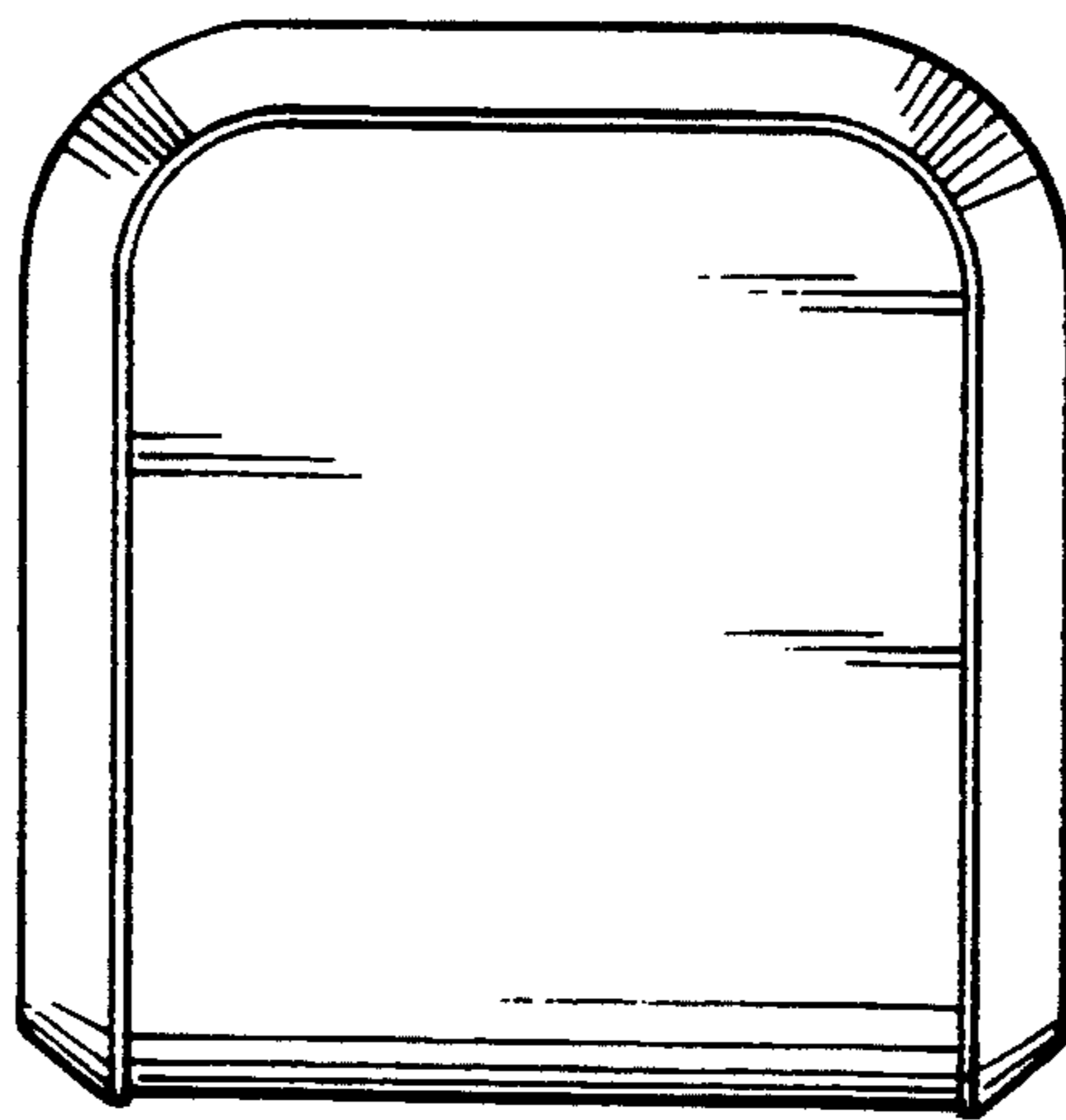


FIG. 7