



US00D350842S

# United States Patent [19]

[11] Patent Number: Des. 350,842

VanSkiver

[45] Date of Patent: \*\* Sep. 20, 1994

## [54] PET WATERER

[75] Inventor: **Ralph VanSkiver**, Arlington, Tex.

[73] Assignee: **Doskocil Manufacturing Company, Inc.**, Arlington, Tex.

[\*\*] Term: **14 Years**

[21] Appl. No.: **6,474**

[22] Filed: **Mar. 30, 1993**

[52] U.S. Cl. .... **D30/121; D7/619**

[58] Field of Search ..... 119/51.5, 53, 52.1,  
119/77, 74-75, 78, 51.13; D7/619;  
D30/121-122, 129-133

## [56] References Cited

### U.S. PATENT DOCUMENTS

D. 315,037	2/1991	Clark	.....	D30/122
D. 330,098	10/1992	VanSkiver	.....	D30/121
D. 335,197	4/1993	Strickland	.....	D30/132
D. 338,746	8/1993	Clark et al.	.....	D30/122
2,530,597	11/1950	Chandler	.....	119/51.5
3,730,141	5/1973	Manning et al.	.....	119/51.5
4,034,715	7/1977	Arner	.....	119/51.5
4,573,434	3/1986	Gardner	.....	119/77
4,840,143	6/1989	Simon	.....	119/52.1
5,016,572	5/1991	Weber et al.	.....	119/52.1
5,259,336	11/1993	Clark	.....	119/51.5

## FOREIGN PATENT DOCUMENTS

2227819	1/1975	France	.....	119/77
2363281	5/1978	France	.....	119/51.5
2241633	9/1991	United Kingdom	.....	119/77

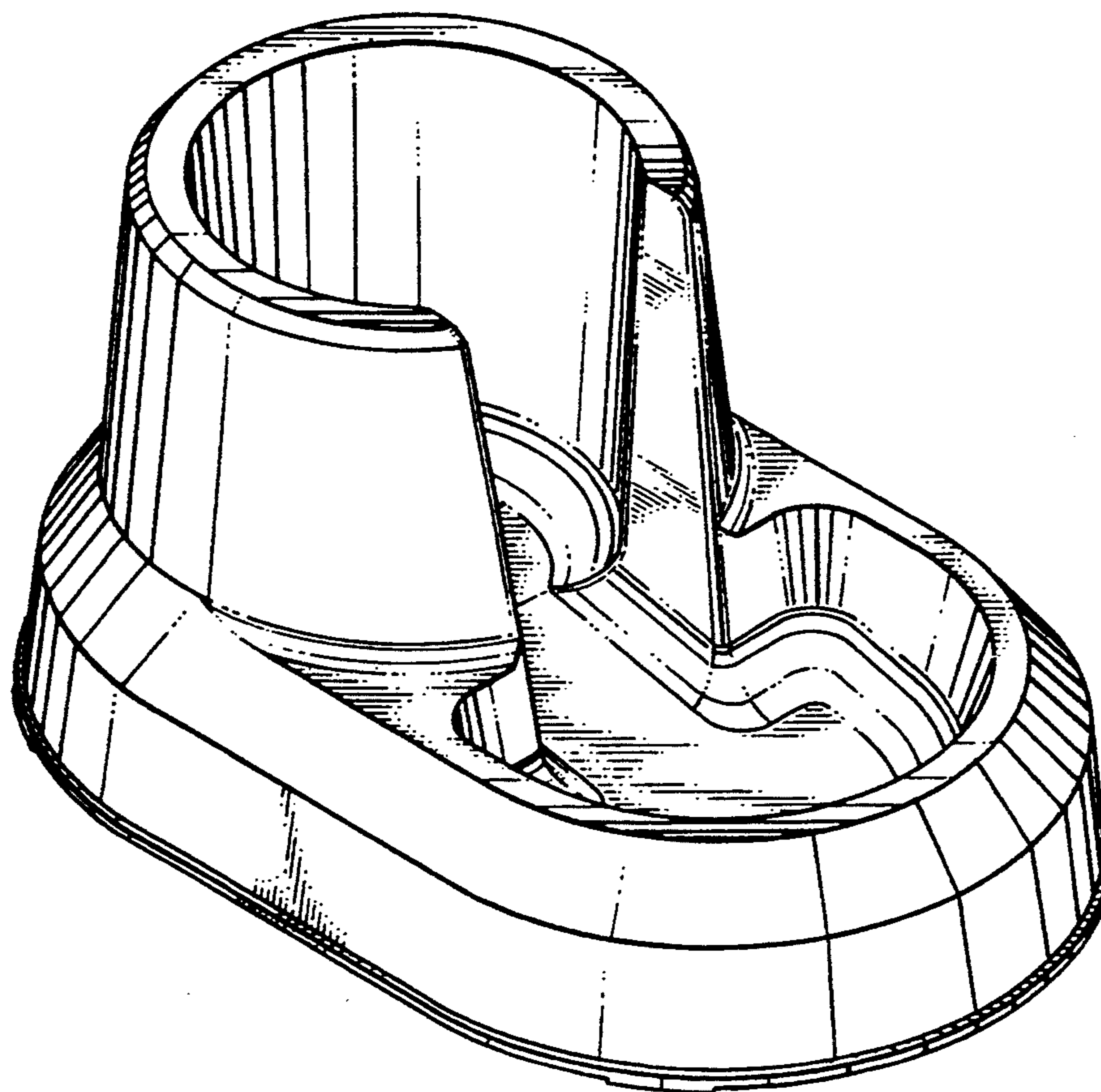
*Primary Examiner*—Cathy Anne MacCormac  
*Attorney, Agent, or Firm*—Andrew J. Dillon

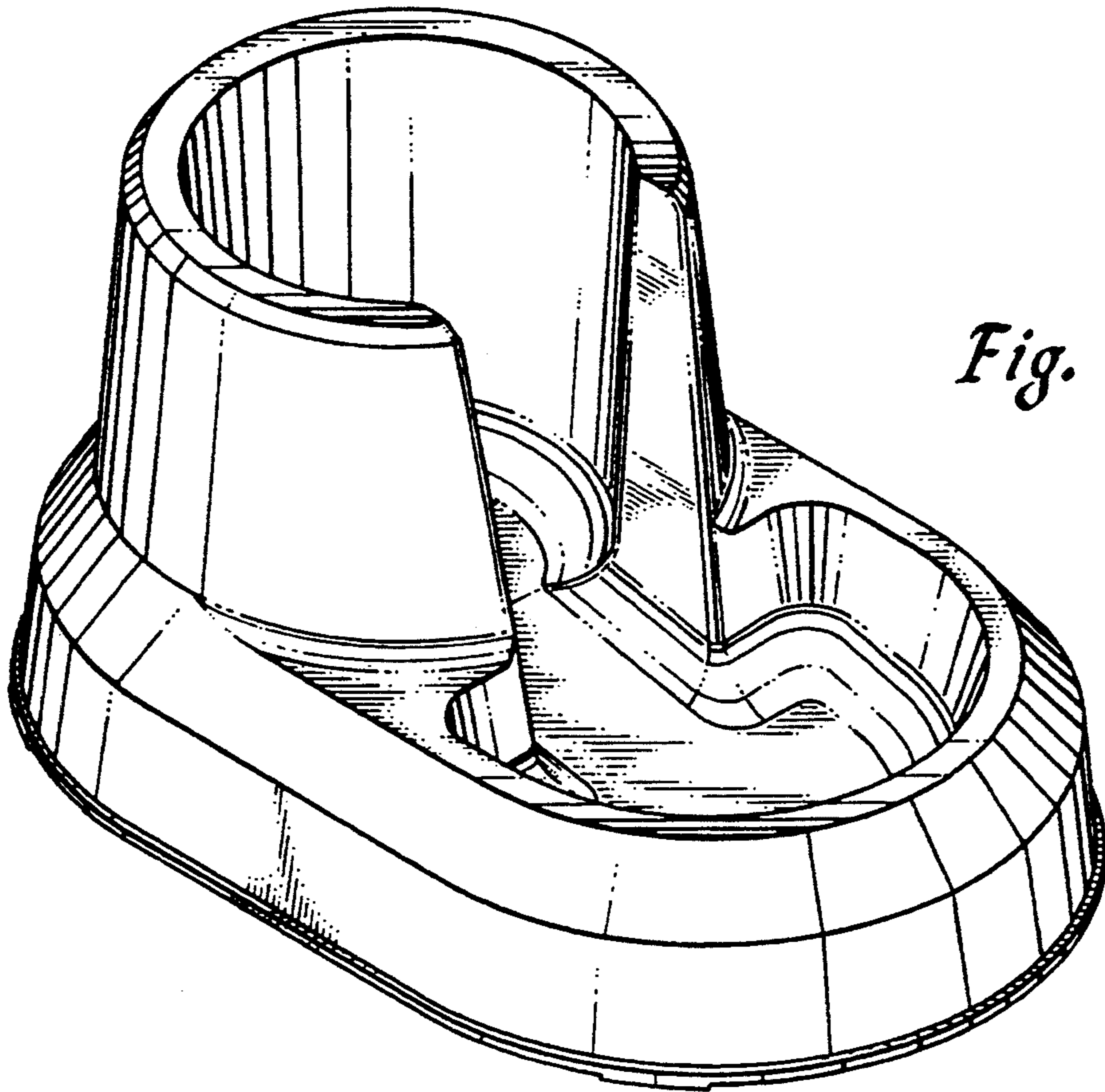
## [57] CLAIM

The ornamental design for a pet waterer, as shown and described.

## DESCRIPTION

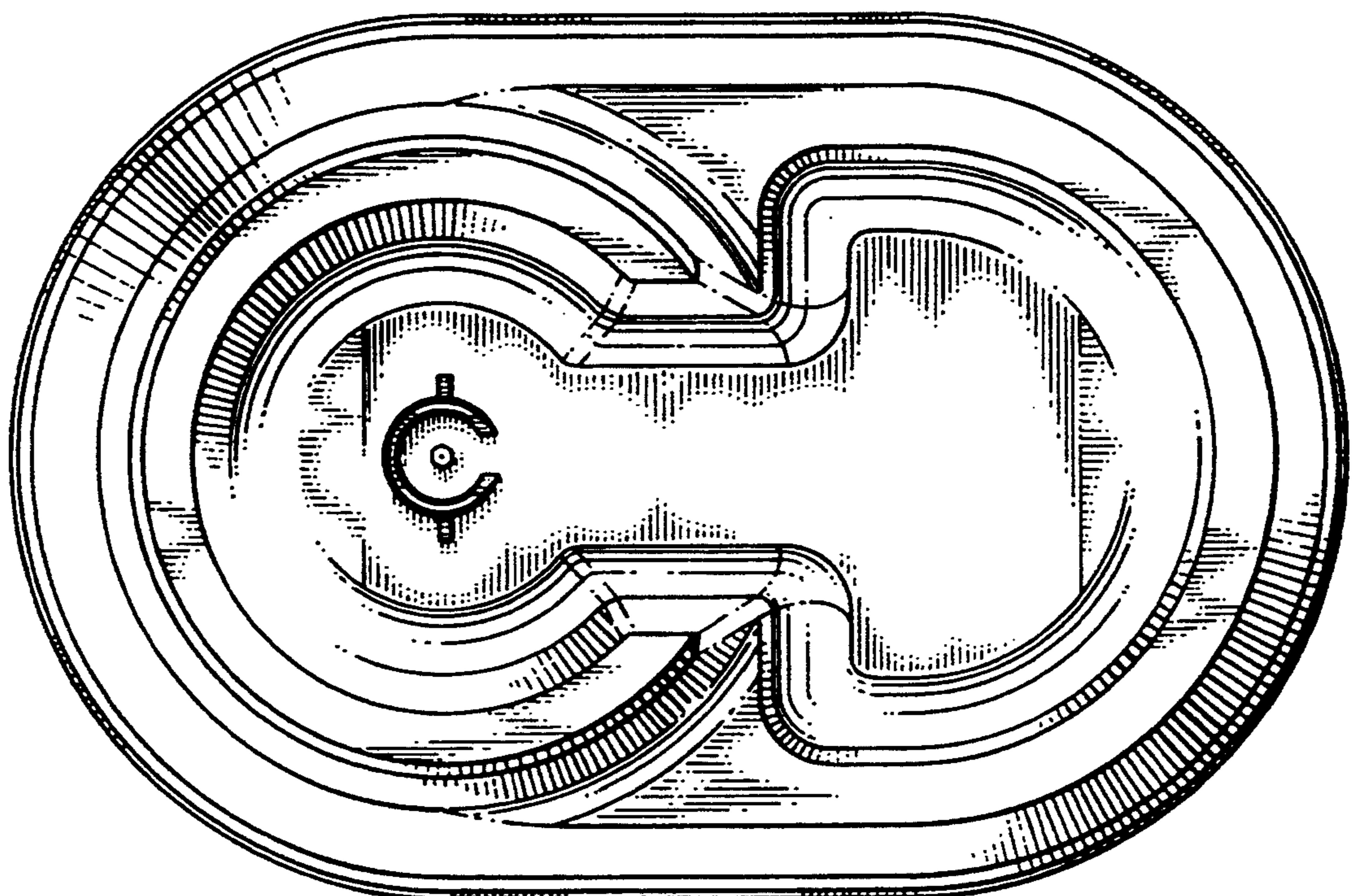
FIG. 1 is perspective view of the pet waterer of the present invention;  
 FIG. 2 is a top view of the pet waterer of the present invention;  
 FIG. 3 is a side view of the pet waterer of the present invention;  
 FIG. 4 is a front view of the pet waterer of the present invention;  
 FIG. 5 is a second side view of the pet waterer of the present invention;  
 FIG. 6 is a back view of the pet waterer of the present invention; and,  
 FIG. 7 is a bottom view of the pet waterer of the present invention.

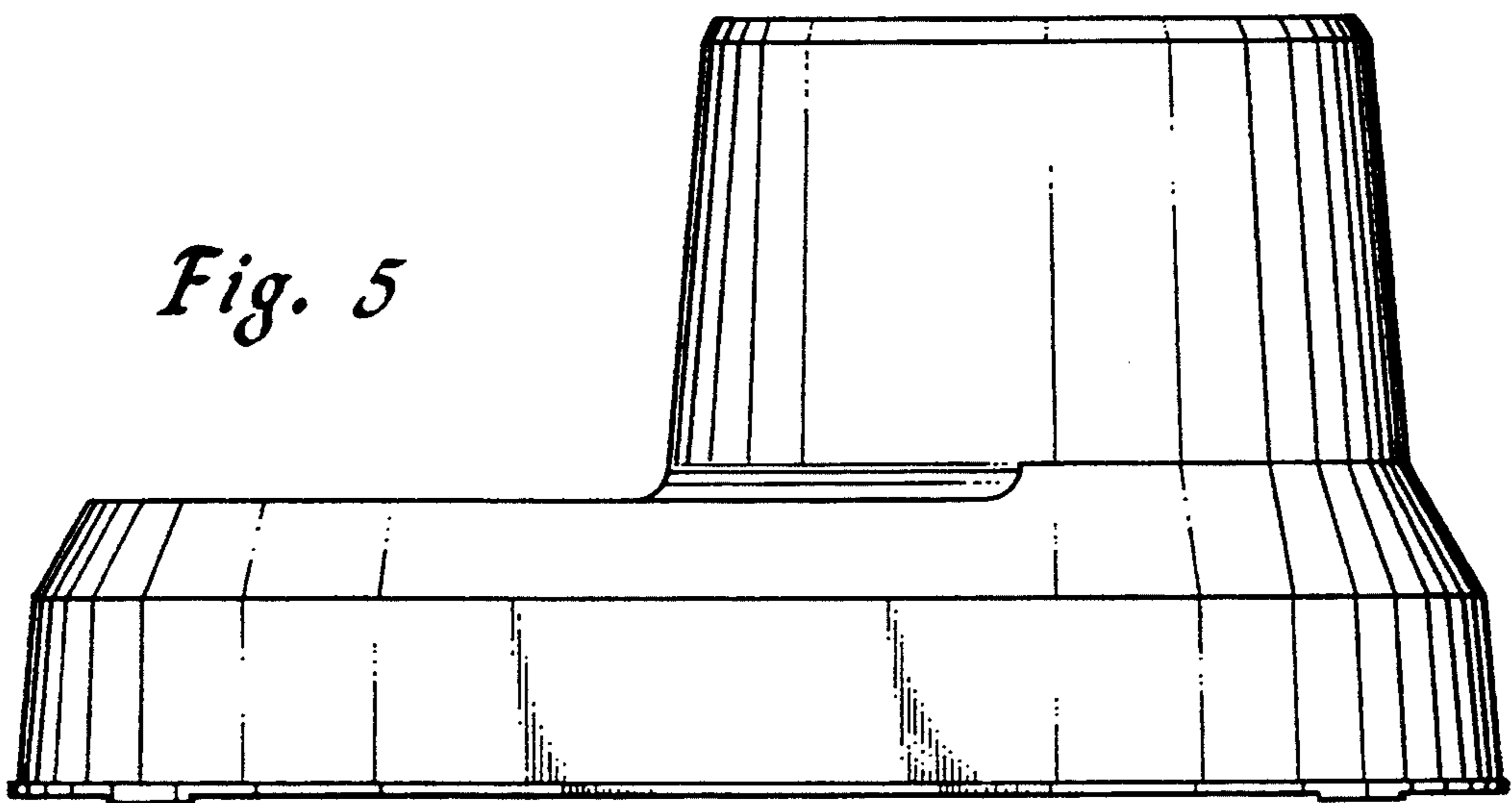
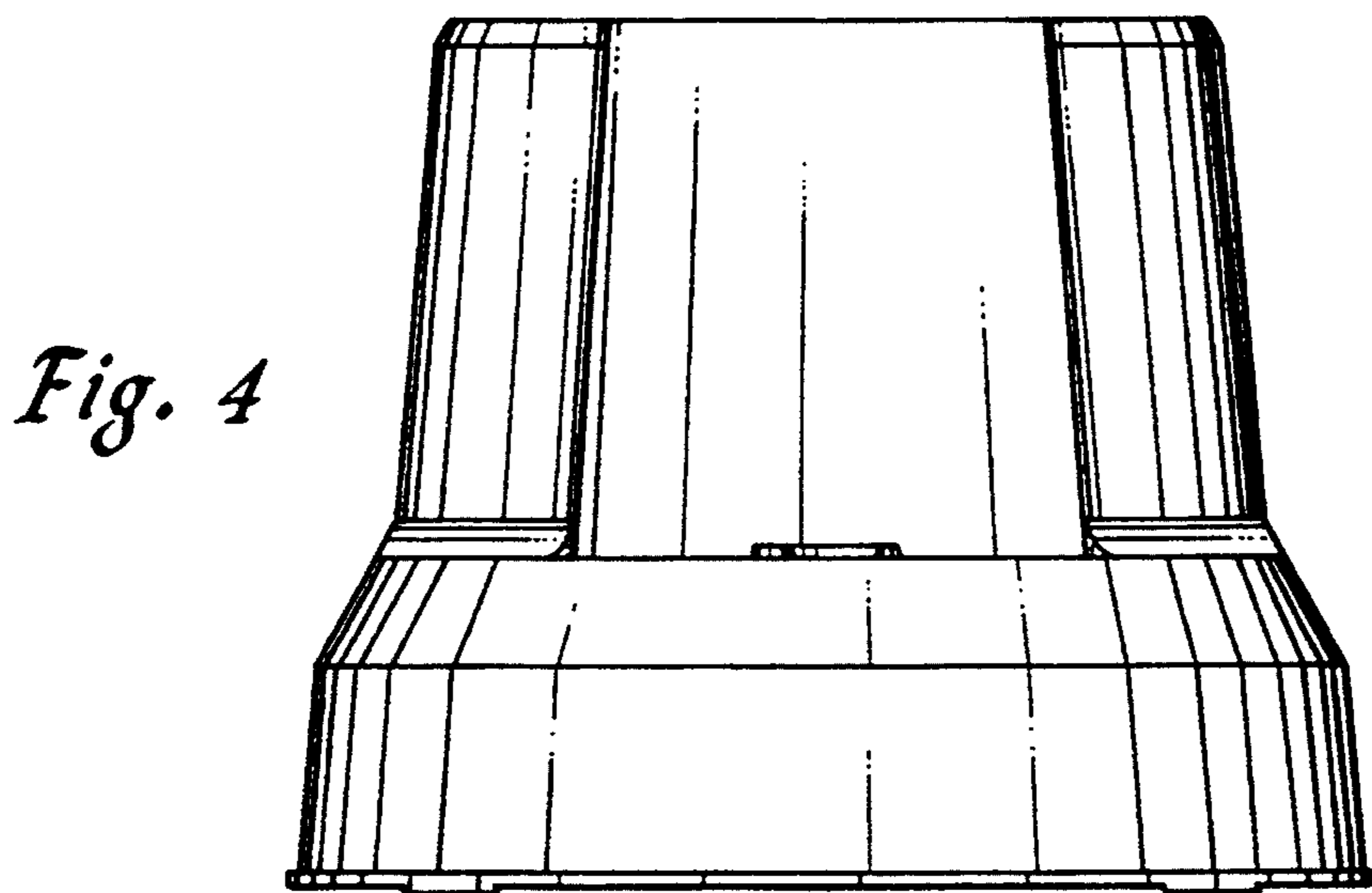
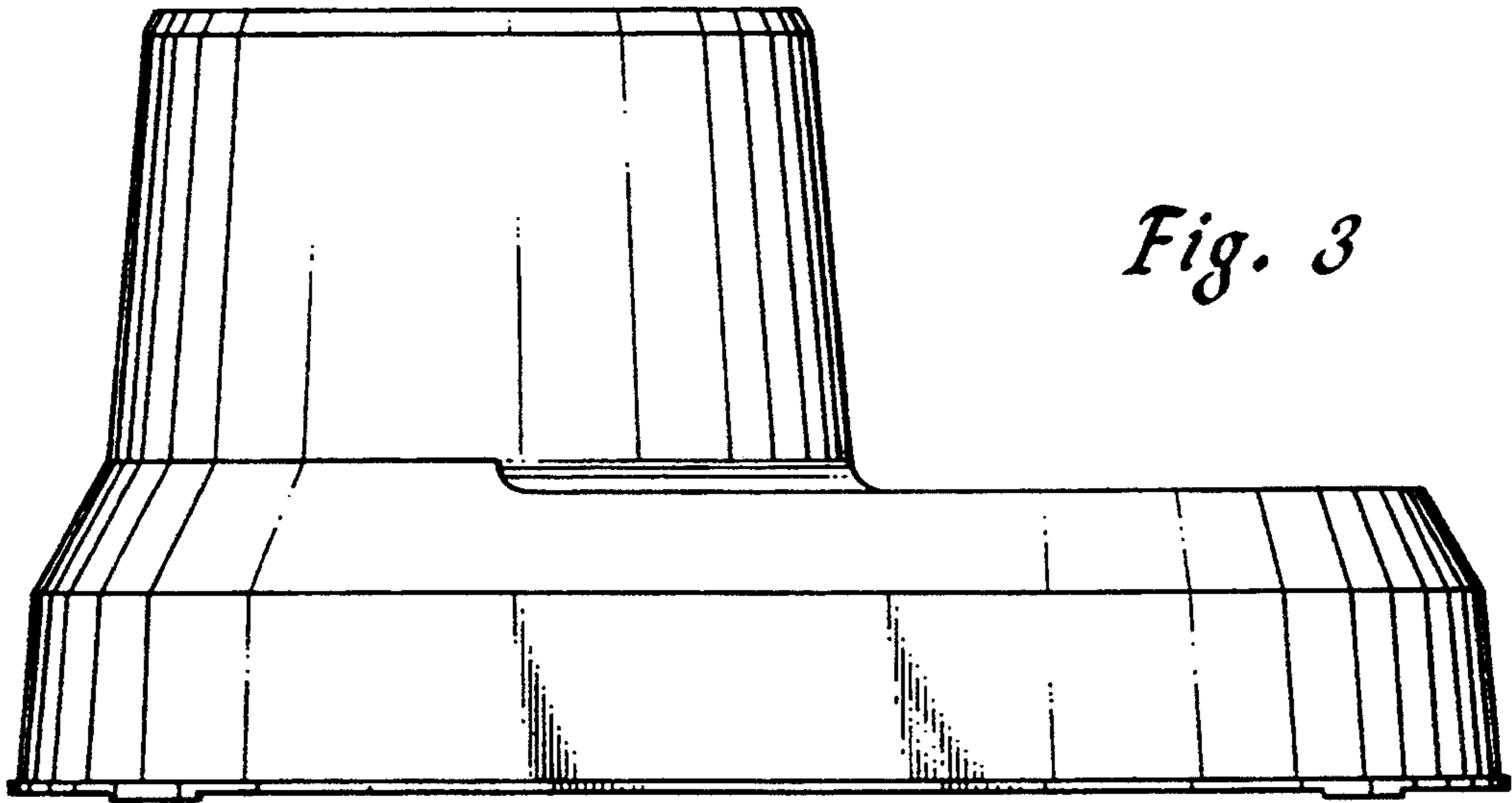


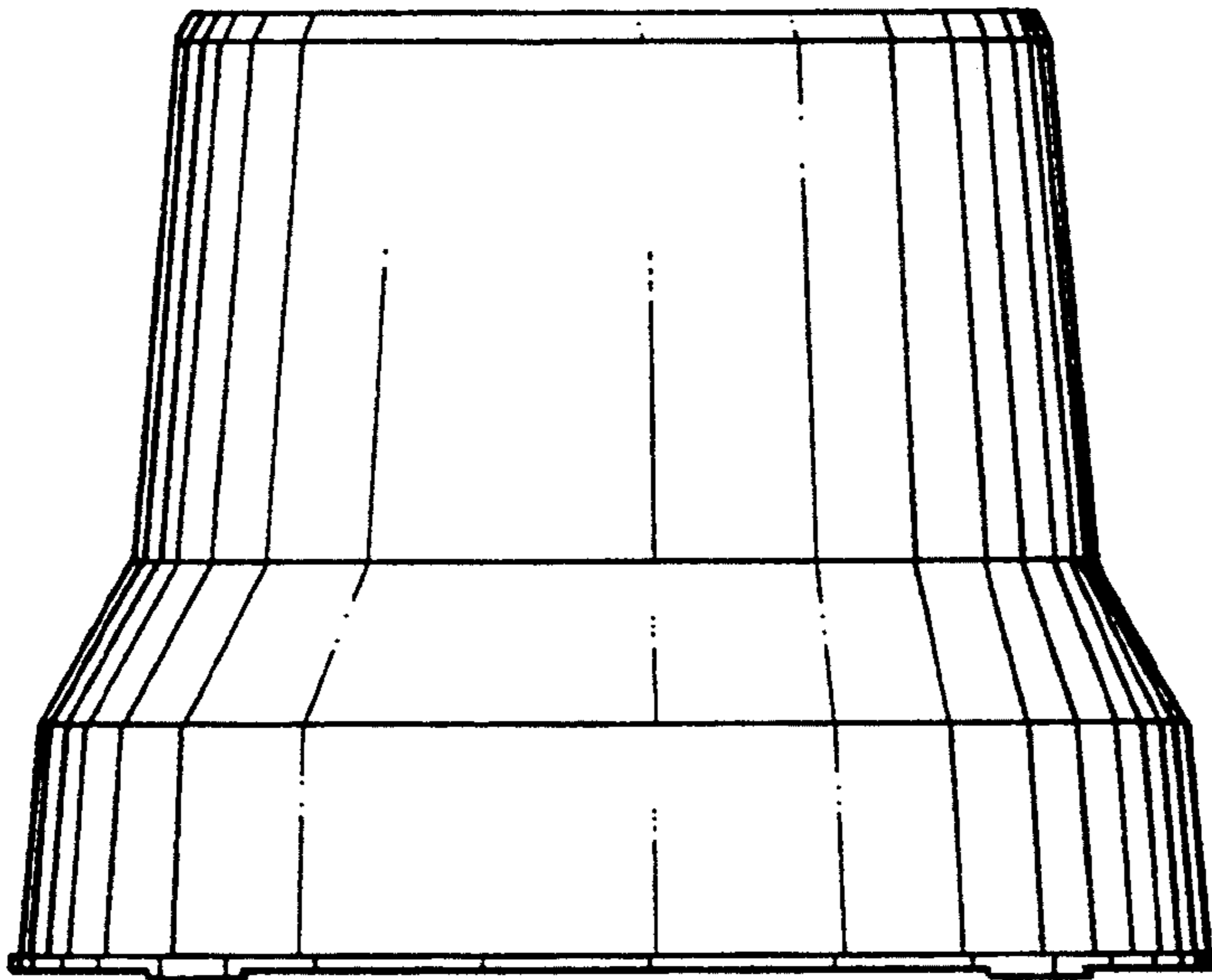


*Fig. 1*

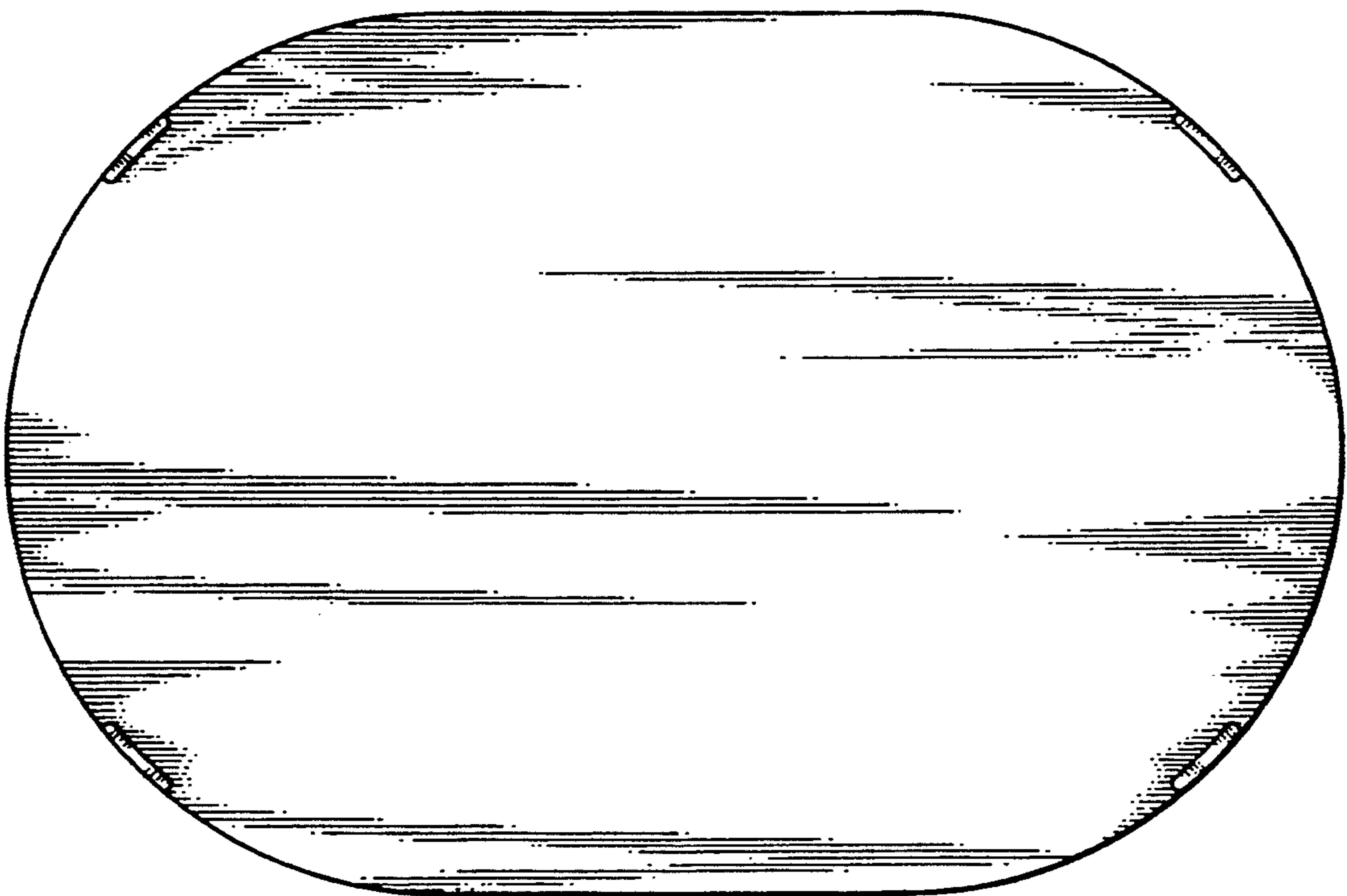
*Fig. 2*







*Fig. 6*



*Fig. 7*