



US00D350841S

United States Patent [19]
VanSkiver

[11] **Patent Number: Des. 350,841**
[45] **Date of Patent: ** Sep. 20, 1994**

[54] **PET FEEDER**
[75] **Inventor: Ralph VanSkiver, Arlington, Tex.**
[73] **Assignee: Doskocil Manufacturing Company, Inc., Arlington, Tex.**
[**] **Term: 14 Years**
[21] **Appl. No.: 9,014**
[22] **Filed: Jun. 1, 1993**
[52] **U.S. Cl. D30/121**
[58] **Field of Search 119/51.5, 72, 52.1, 119/53, 77, 74-75, 78, 51.13; D30/121-122, 129-133**

5,255,632 10/1993 Thomas et al. 119/51.5

FOREIGN PATENT DOCUMENTS

2638967 3/1978 Fed. Rep. of Germany 119/51.5

*Primary Examiner—Cathy Anne MacCormac
Attorney, Agent, or Firm—Andrew J. Dillon*

[57] **CLAIM**

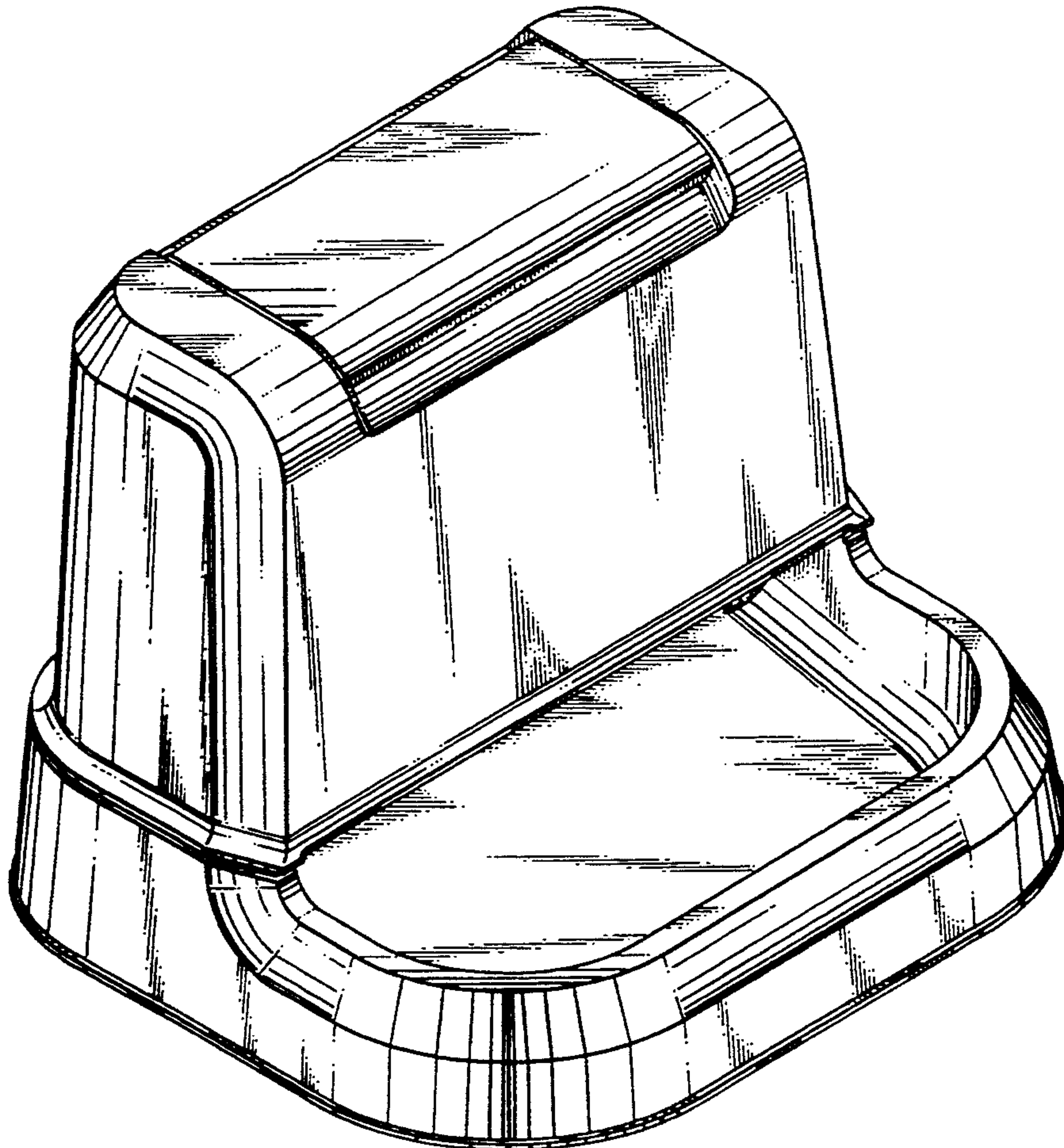
The ornamental design for a pet feeder, as shown and described.

DESCRIPTION

FIG. 1 is a perspective view of the pet feeder of the present invention;
FIG. 2 is a top view of the pet feeder of the present invention;
FIG. 3 is a front view of the pet feeder of the present invention;
FIG. 4 is a side view of the pet feeder of the present invention;
FIG. 5 is a bottom view of the pet feeder of the present invention;
FIG. 6 is a second side view of the pet feeder of the present invention;
FIG. 7 is a back view of the pet feeder of the present invention.

[56] **References Cited**
U.S. PATENT DOCUMENTS

3,517,454 6/1970 Query 119/51.5
3,730,141 5/1973 Manning et al. 119/51.5
4,034,715 7/1977 Arner 119/77
4,315,483 2/1982 Scheidler 119/51.5
4,494,483 1/1985 Haiges 119/77
4,660,508 4/1987 Kleinsasser et al. 119/51.5
4,721,063 1/1988 Atchley 119/52.1
4,735,171 4/1988 Essex 119/51.5
4,947,796 8/1990 Robinette 119/51.5
5,016,572 5/1991 Weber et al. 119/52.1



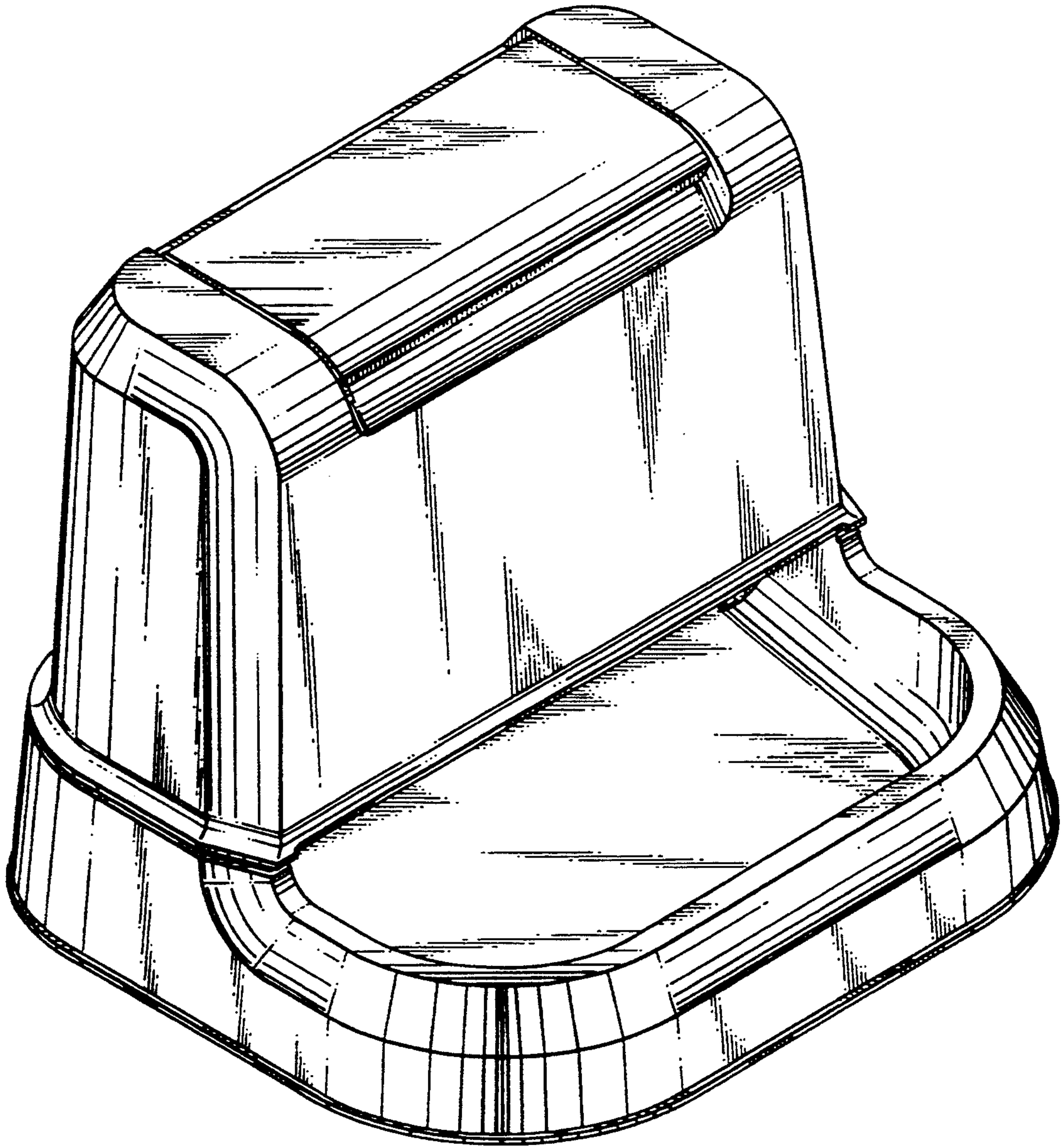


Fig. 1

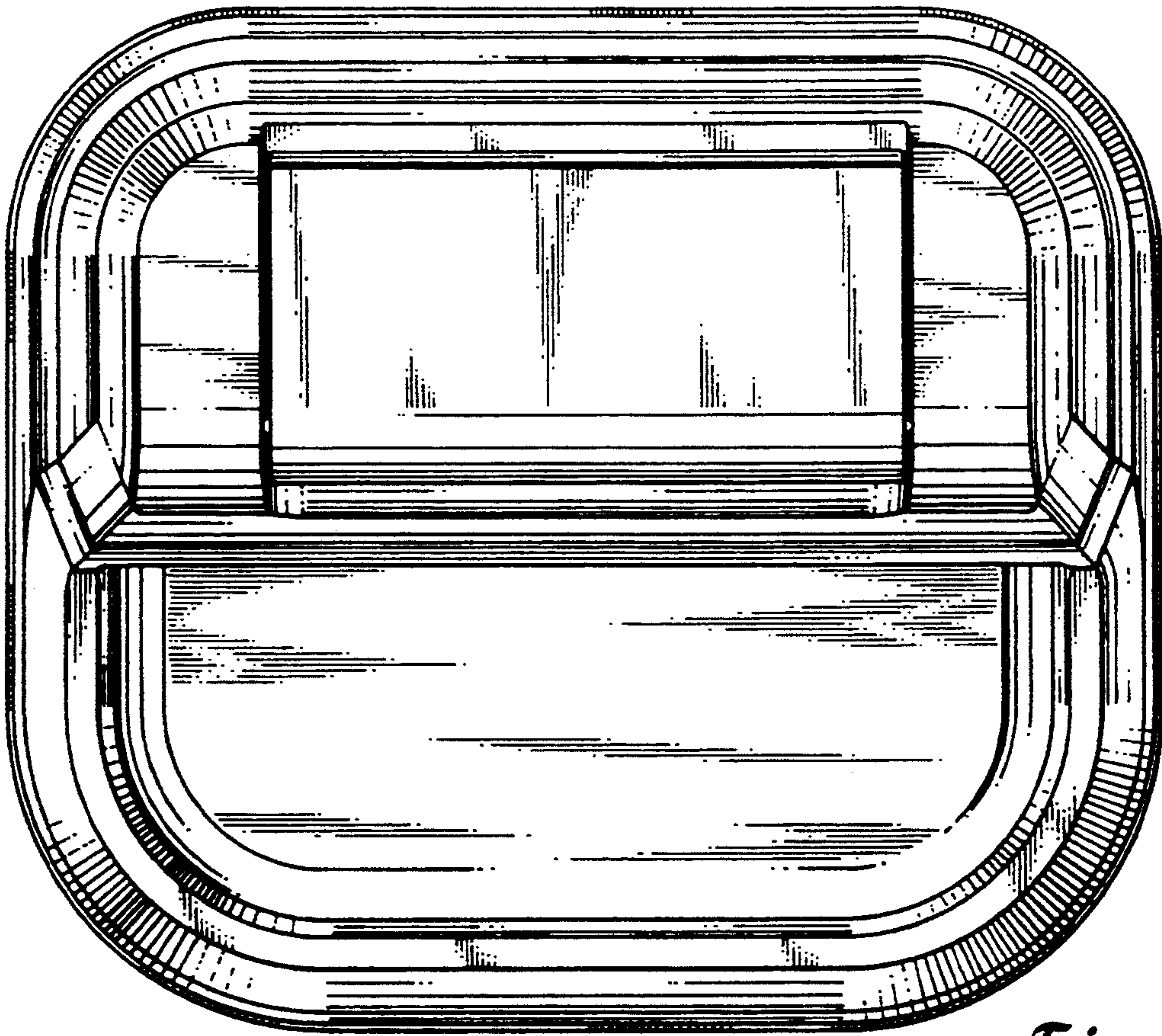


Fig. 2

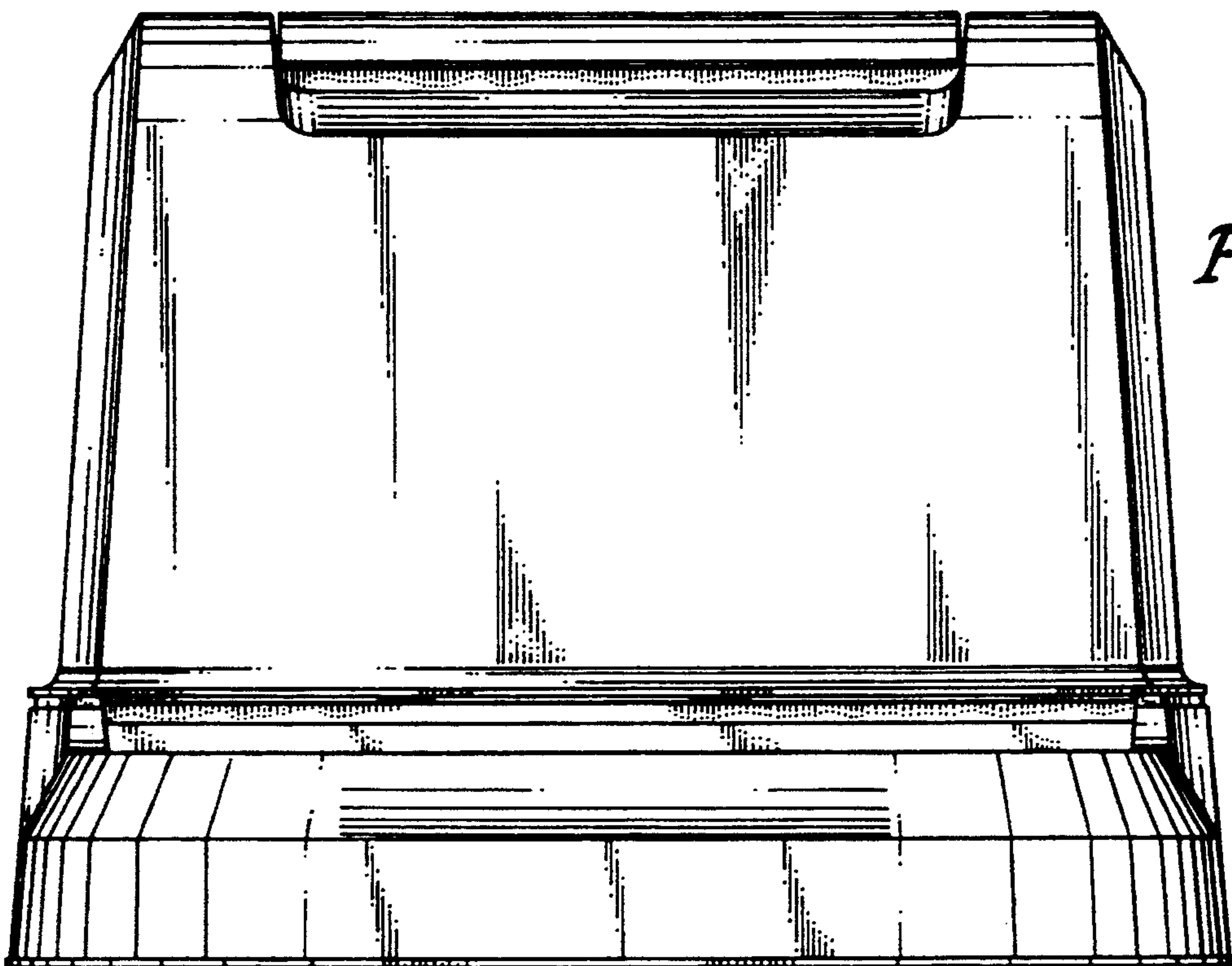


Fig. 3

Fig. 4

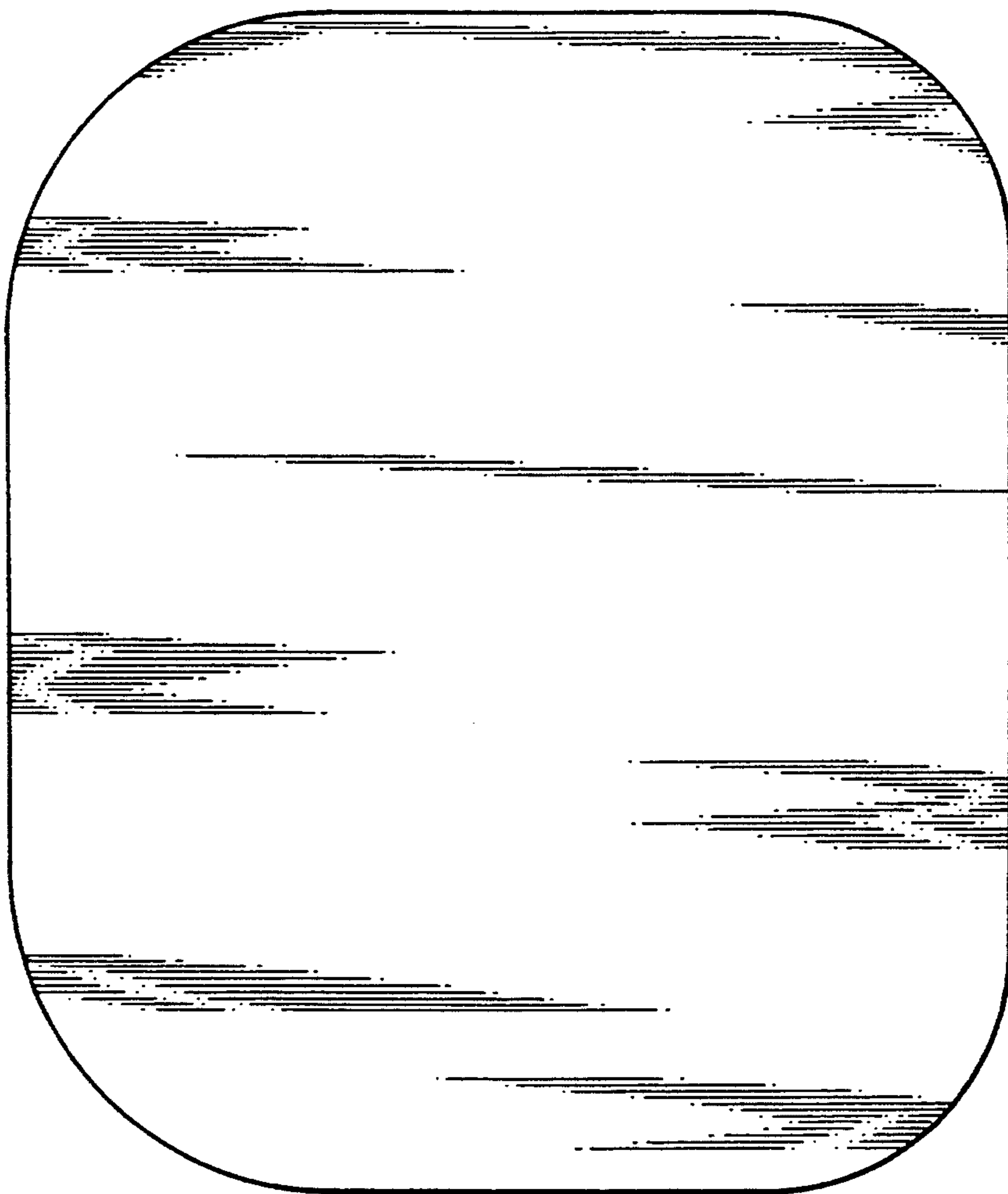
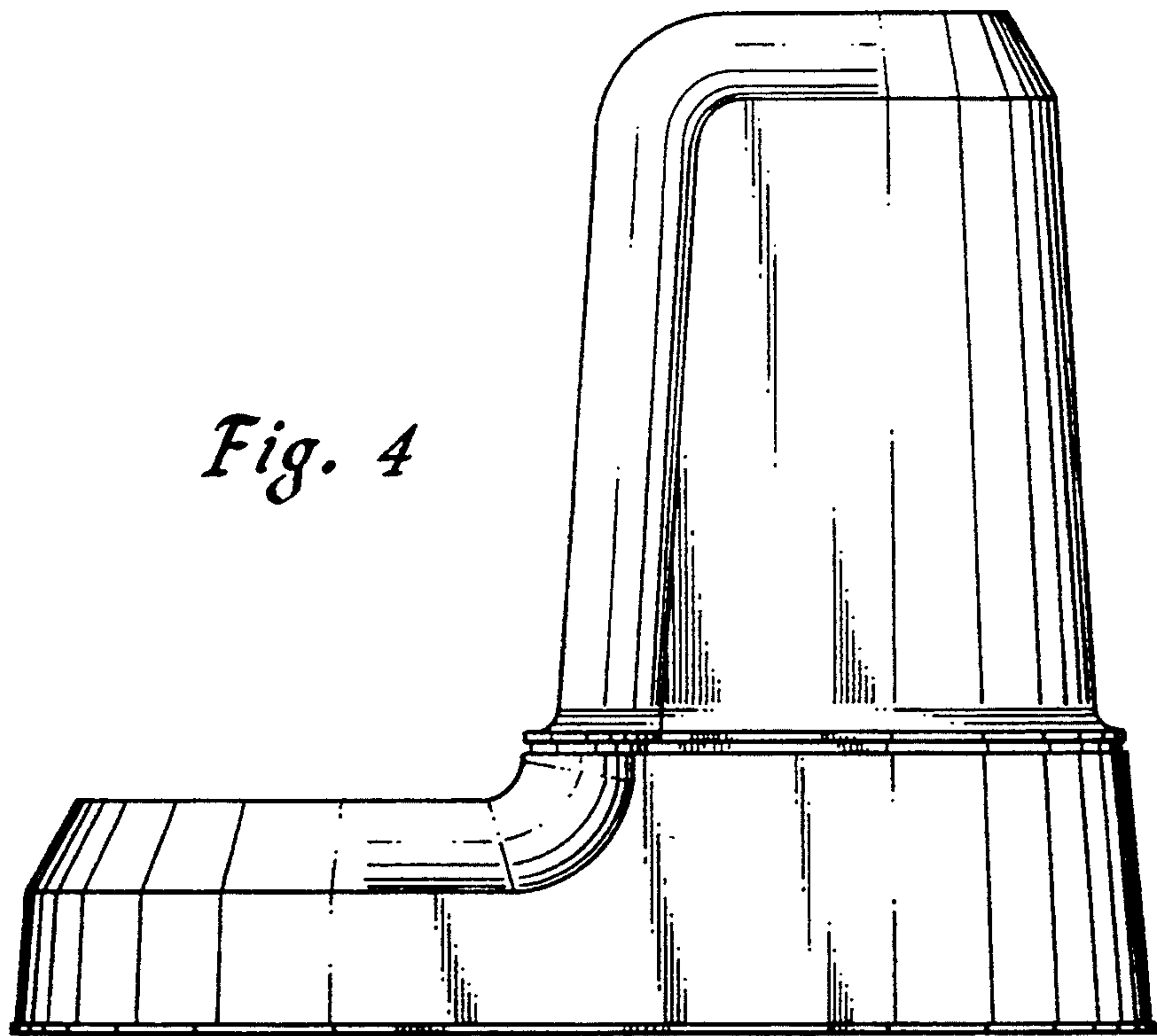


Fig. 5

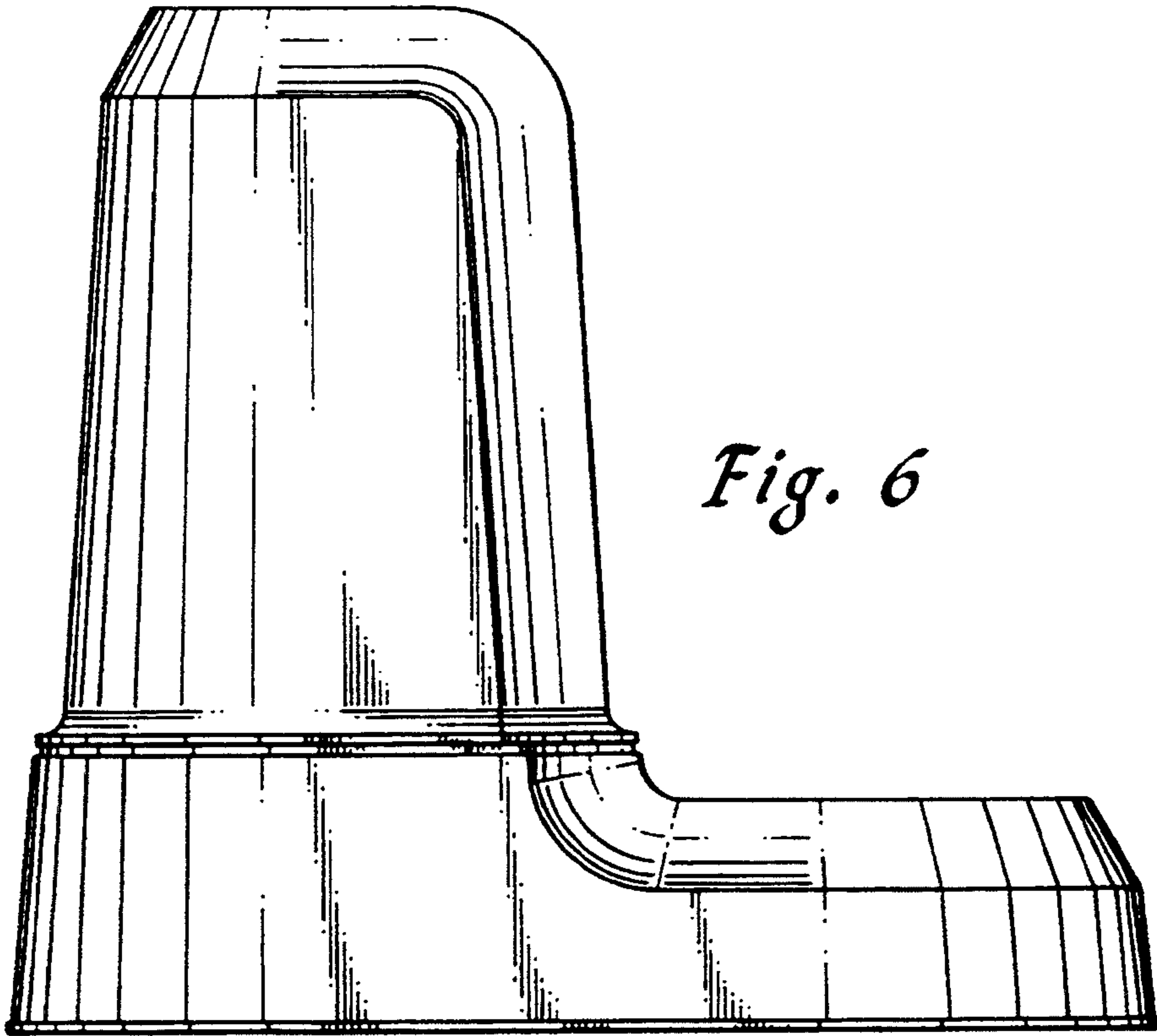


Fig. 6

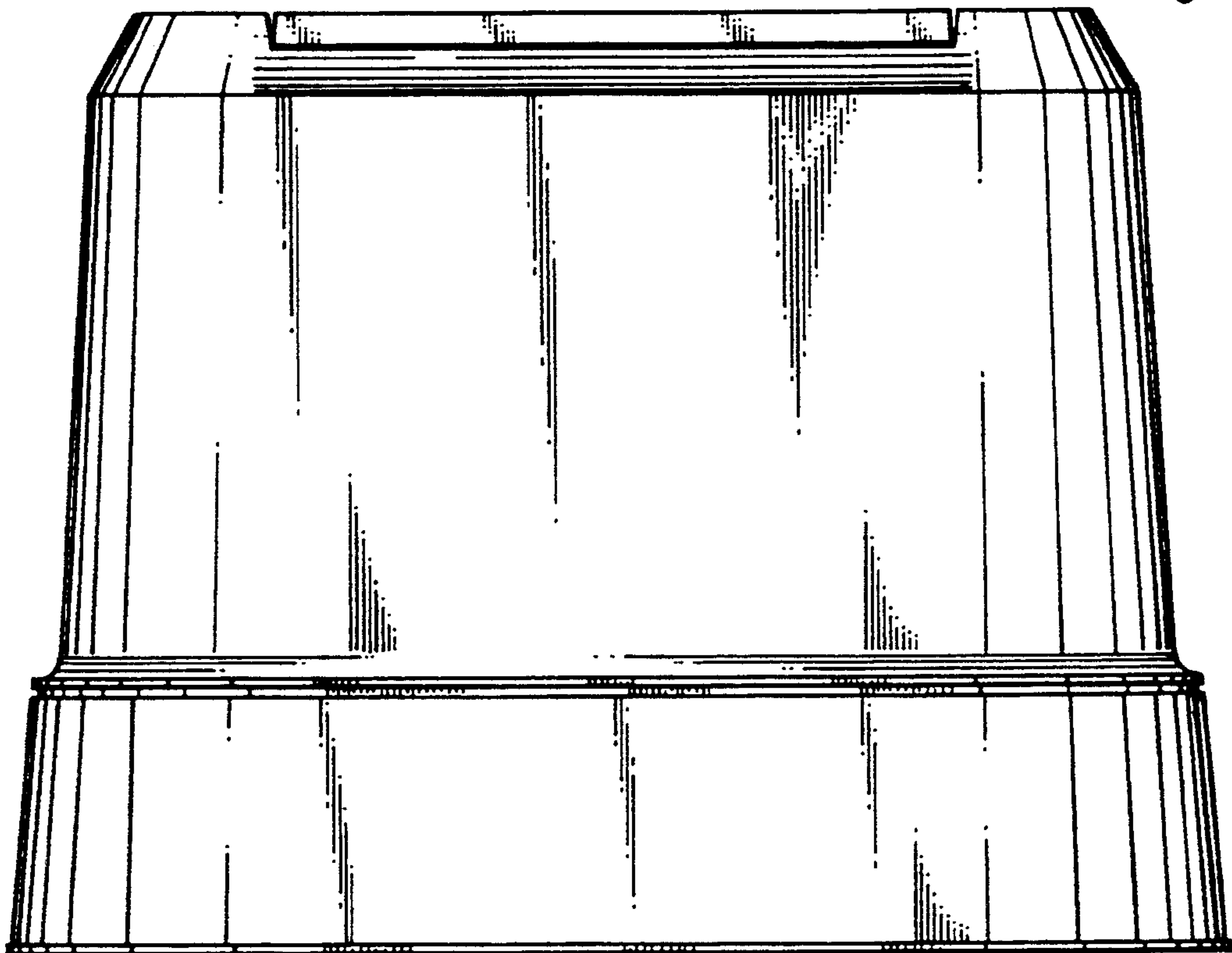


Fig. 7