



US00D350839S

# United States Patent [19]

[11] Patent Number: Des. 350,839

Ledesma

[45] Date of Patent: \*\* Sep. 20, 1994

[54] FOREST FIRE EXTINGUISHER

[76] Inventor: **Edmundo P. Ledesma**, Valle De Lerma No. 704, Celaya, Guanajuato, Mexico, 38060

[\*\*] Term: **14 Years**

[21] Appl. No.: **914,697**

[22] Filed: **Jul. 20, 1992**

[52] U.S. Cl. .... **D29/125; D15/27; D12/95**

[58] Field of Search ..... 169/70, 74, 84, 48; D29/1-5

4,676,319 6/1987 Cuthbertson ..... 169/70  
 4,886,122 12/1989 Goodnight ..... 169/74  
 5,036,924 8/1991 Carino ..... 169/70  
 5,180,018 1/1993 Taylor ..... 169/48

*Primary Examiner*—Kay H. Chin  
*Attorney, Agent, or Firm*—Terry M. Gernstein

### [57] CLAIM

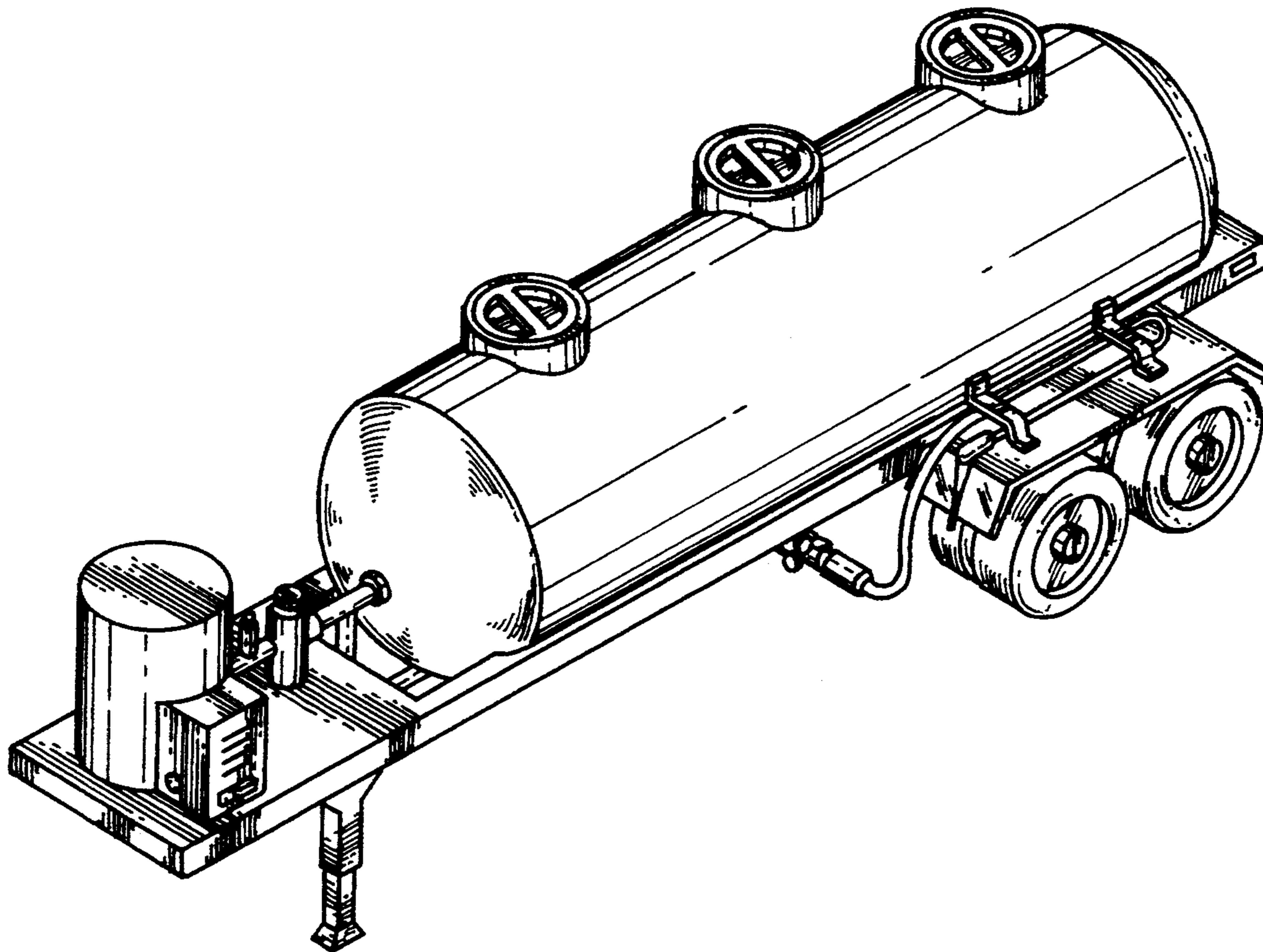
The ornamental design for a forest fire extinguisher, as shown and described.

### DESCRIPTION

FIG. 1 is a front, top and side perspective view of the forest fire extinguisher embodying the design of the present invention;  
 FIG. 2 is a front end elevational view thereof;  
 FIG. 3 is a rear end elevational view thereof;  
 FIG. 4 is a side elevational view thereof;  
 FIG. 5 is a side elevational view thereof;  
 FIG. 6 is a top plan view thereof; and,  
 FIG. 7 is a bottom view thereof.

[56] **References Cited**  
**U.S. PATENT DOCUMENTS**

2,857,005	10/1958	Medlock	.....	169/70
4,195,694	4/1980	Gizzarelli, Sr.	.....	169/70
4,223,740	9/1980	Clayton	.....	169/70
4,344,489	8/1982	Bonaparte	.....	169/70



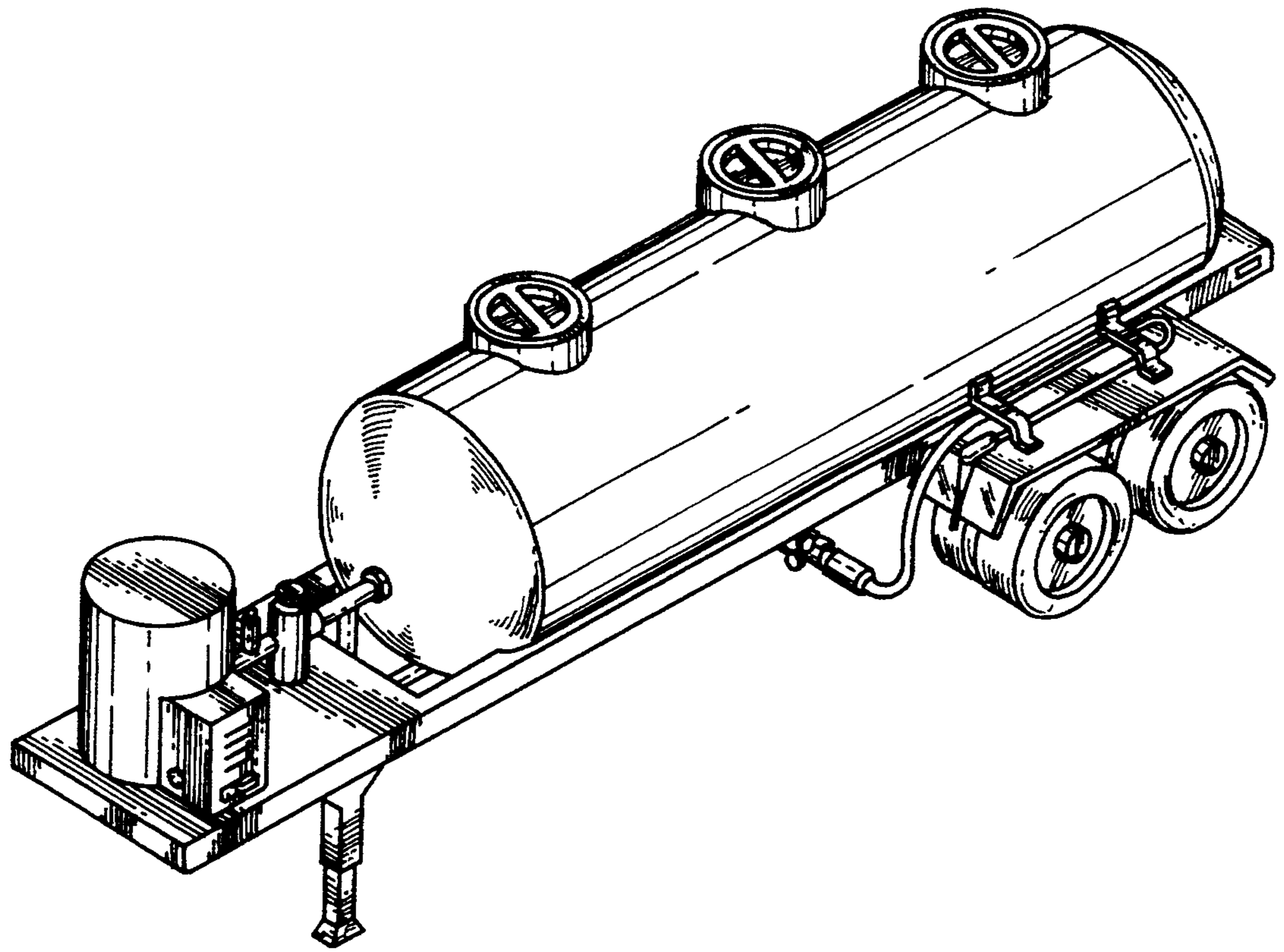


FIG. 1

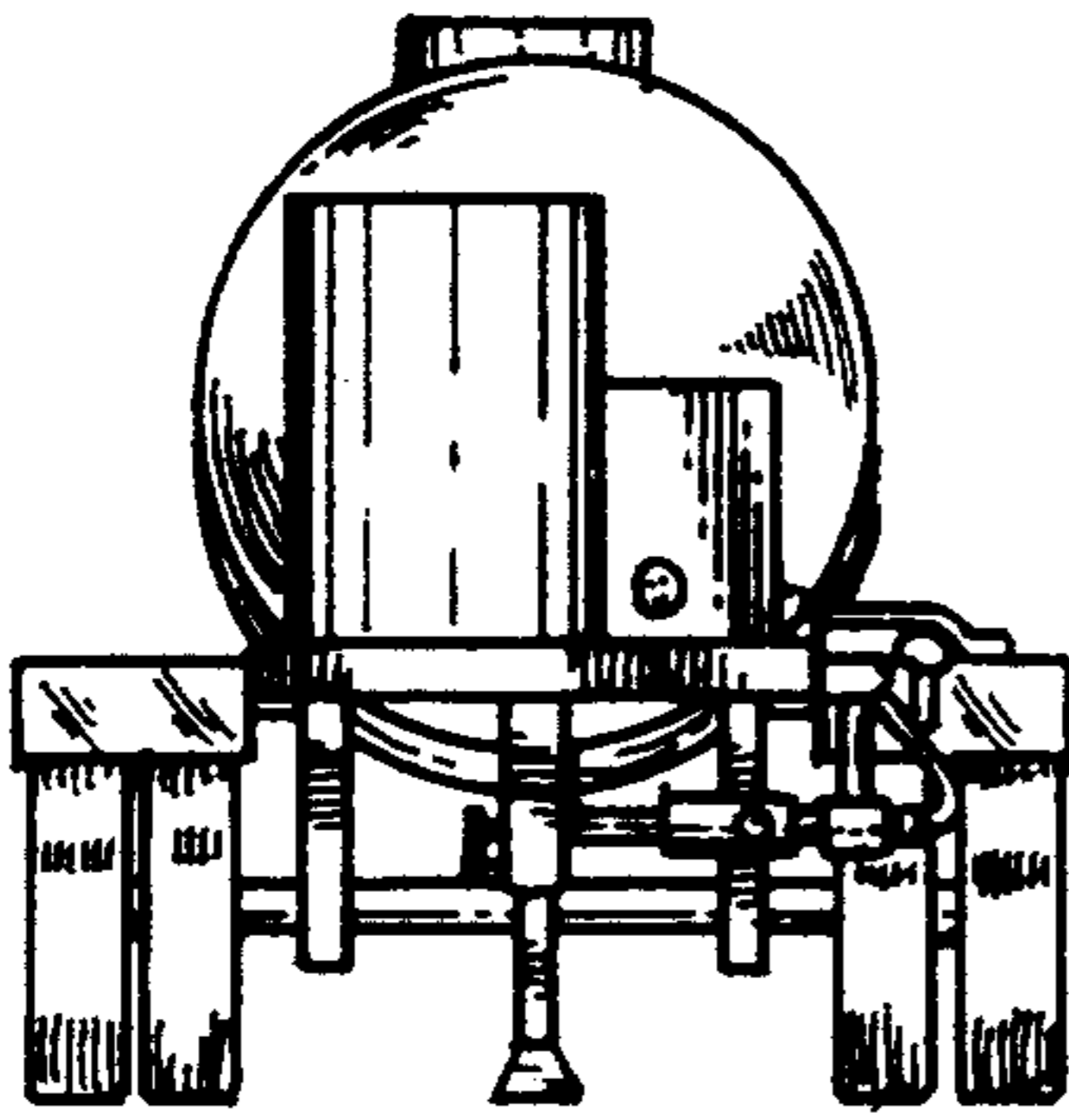


FIG. 2

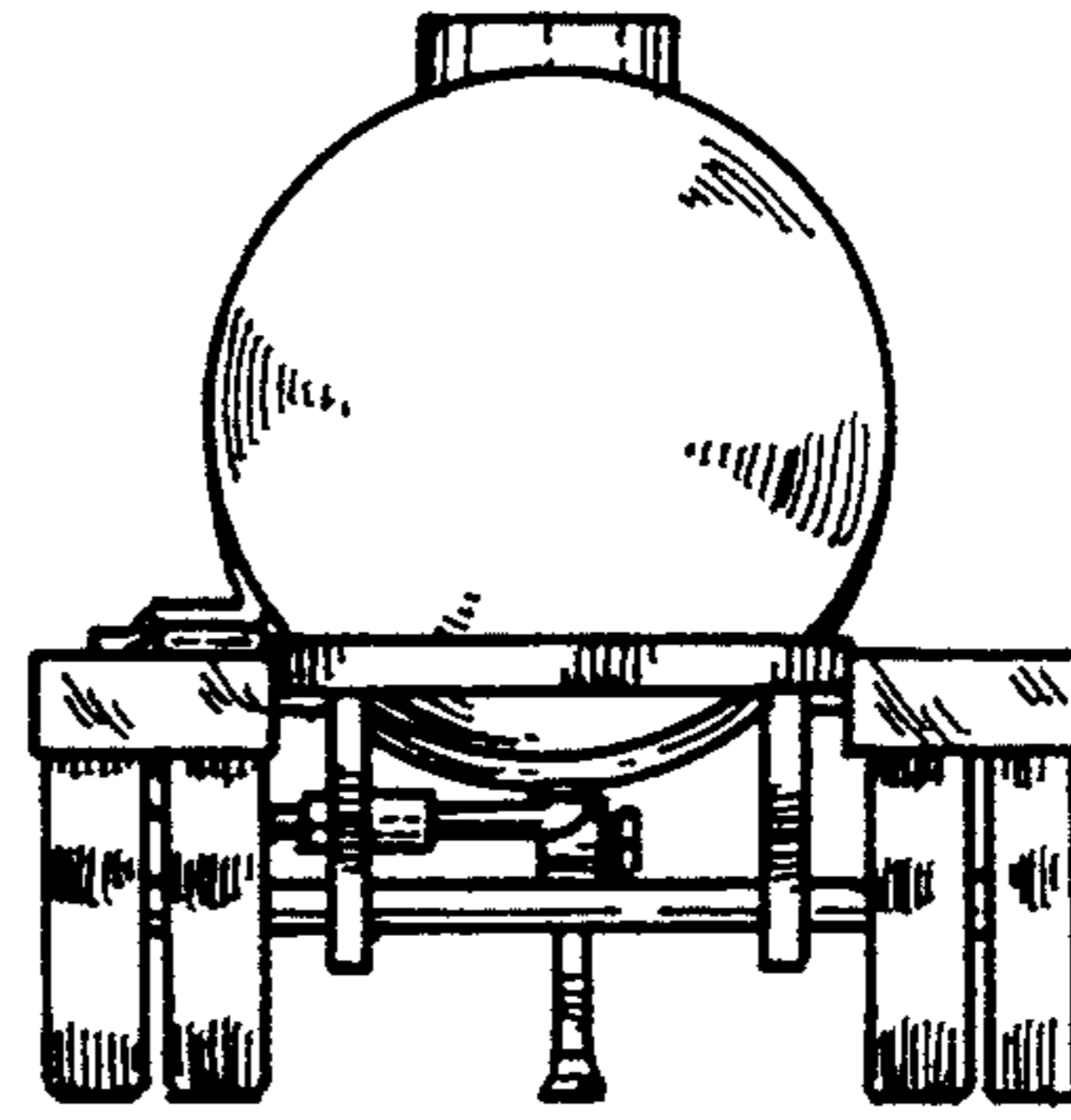


FIG. 3

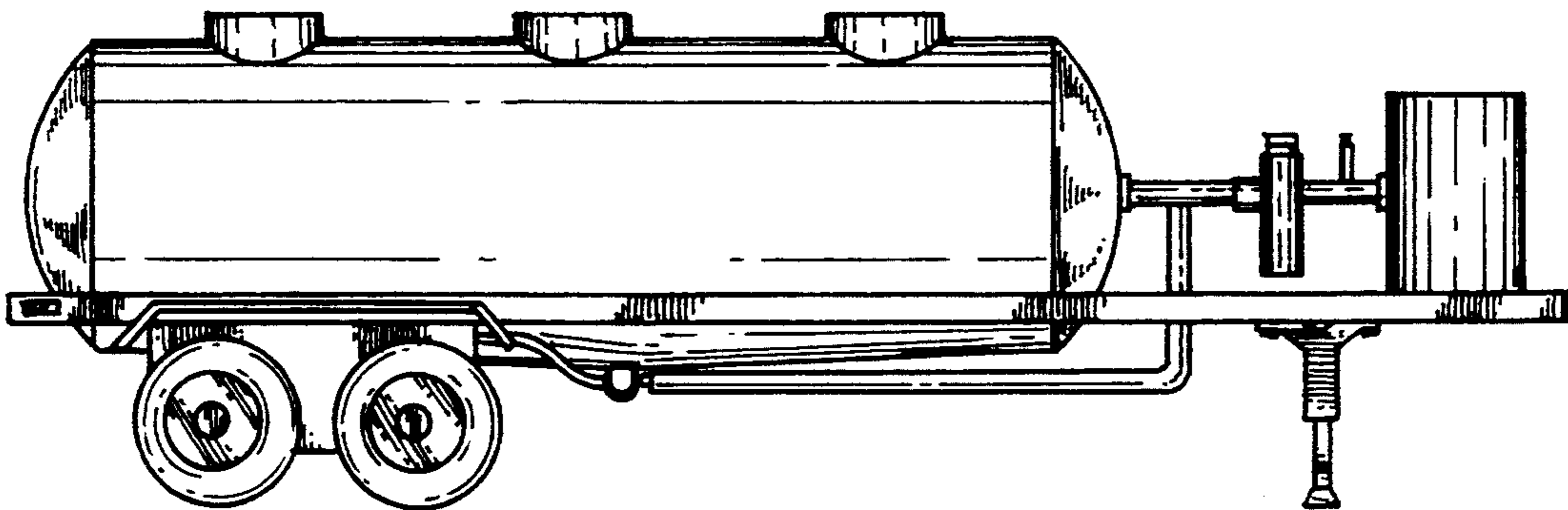


FIG. 4

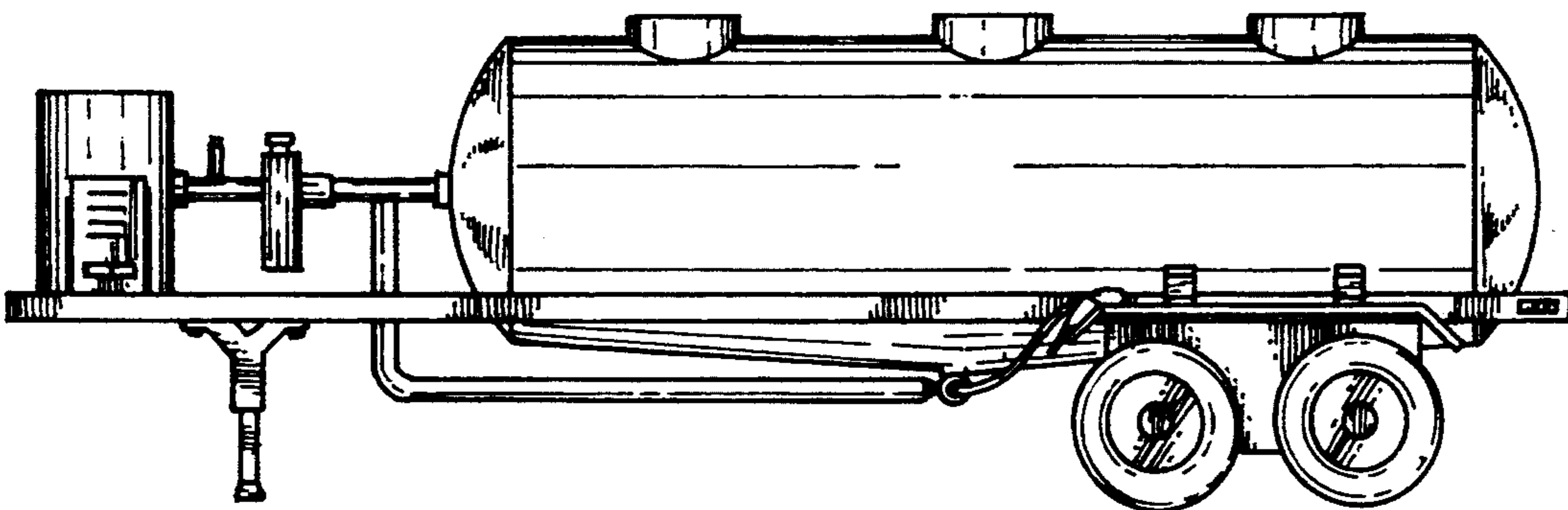


FIG. 5

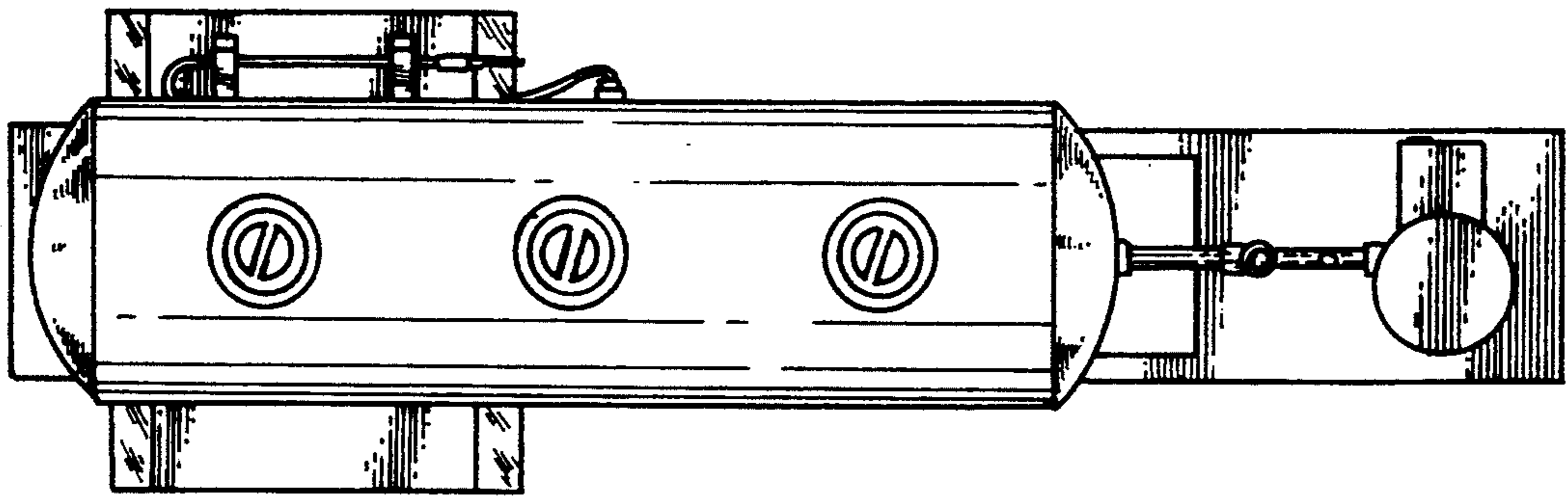


FIG. 6

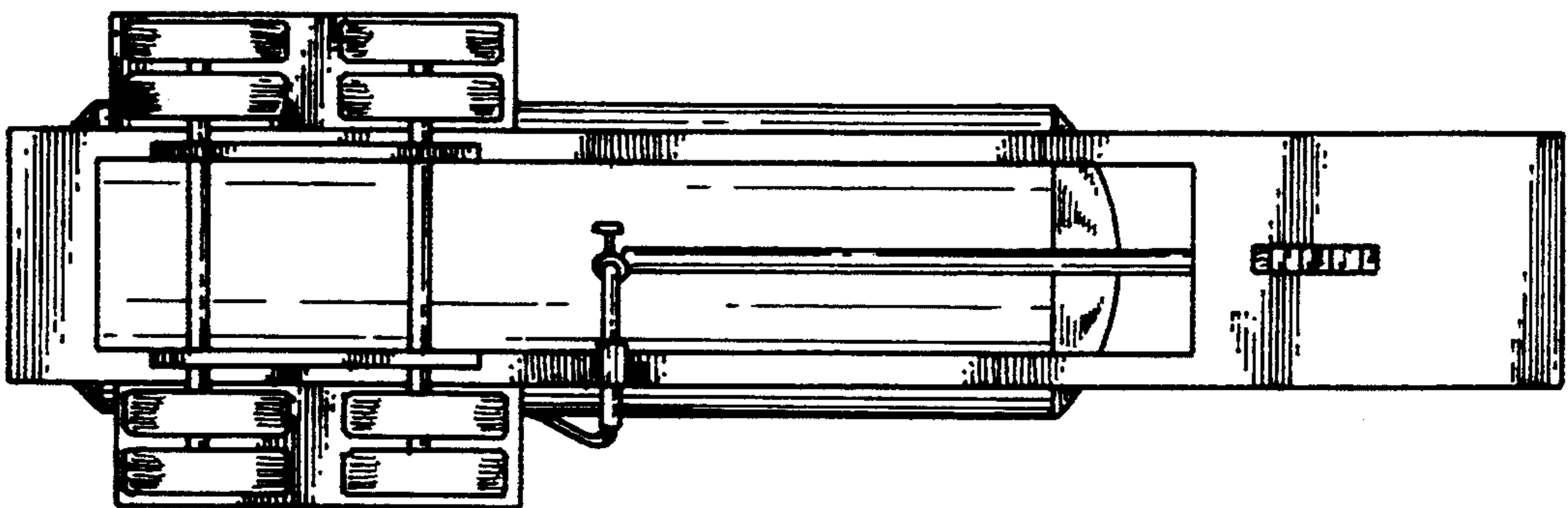


FIG. 7