



US00D350838S

United States Patent [19]

Johnson

[11] Patent Number: Des. 350,838

[45] Date of Patent: ** Sep. 20, 1994

[54] OIL FIRE EXTINGUISHING CONE

[76] Inventor: Howard Johnson, 819 SW. 50th St., Lawton, Okla. 73505

[**] Term: 14 Years

[21] Appl. No.: 838,006

[22] Filed: Feb. 21, 1992

[52] U.S. Cl. D29/125

[58] Field of Search 169/54, 48, 26; D29/1-5

5,018,585	5/1991	Brennecke	169/54
5,056,603	10/1991	Parkinson	169/54
5,146,995	9/1992	Kim	169/48
5,152,346	10/1992	Wilson	169/48

Primary Examiner—Kay H. Chin
Attorney, Agent, or Firm—Terry M. Gernstein

[57] CLAIM

The ornamental design for an oil fire extinguishing cone, as shown and described.

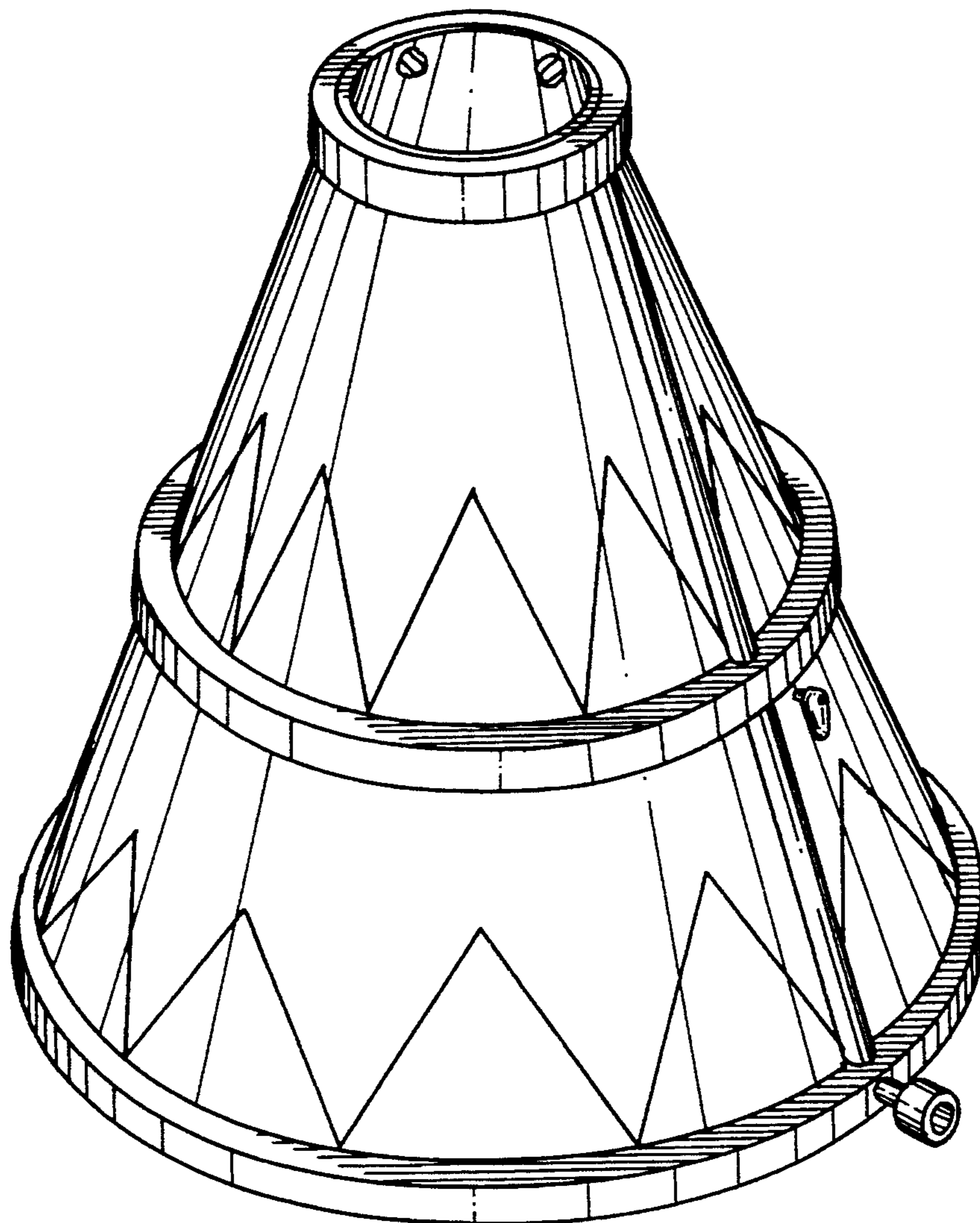
DESCRIPTION

FIG. 1 is a perspective view of the oil fire extinguishing cone embodying the design of the present invention; FIG. 2 is a front elevational view thereof, the rear being a mirror image of the front shown in FIG. 2; FIG. 3 is a side elevational view thereof, the side opposite being a mirror image of the side shown in FIG. 3; FIG. 4 is a top plan view thereof; and, FIG. 5 is a bottom view thereof.

[56] References Cited

U.S. PATENT DOCUMENTS

2,802,538	8/1957	Subarsky	169/54
3,489,223	1/1970	Bundo, Sr.	169/26
4,194,570	3/1980	Arencibta, Jr.	169/54
4,606,832	8/1986	Hisamoto	169/54
4,711,307	12/1987	Rosen	169/54



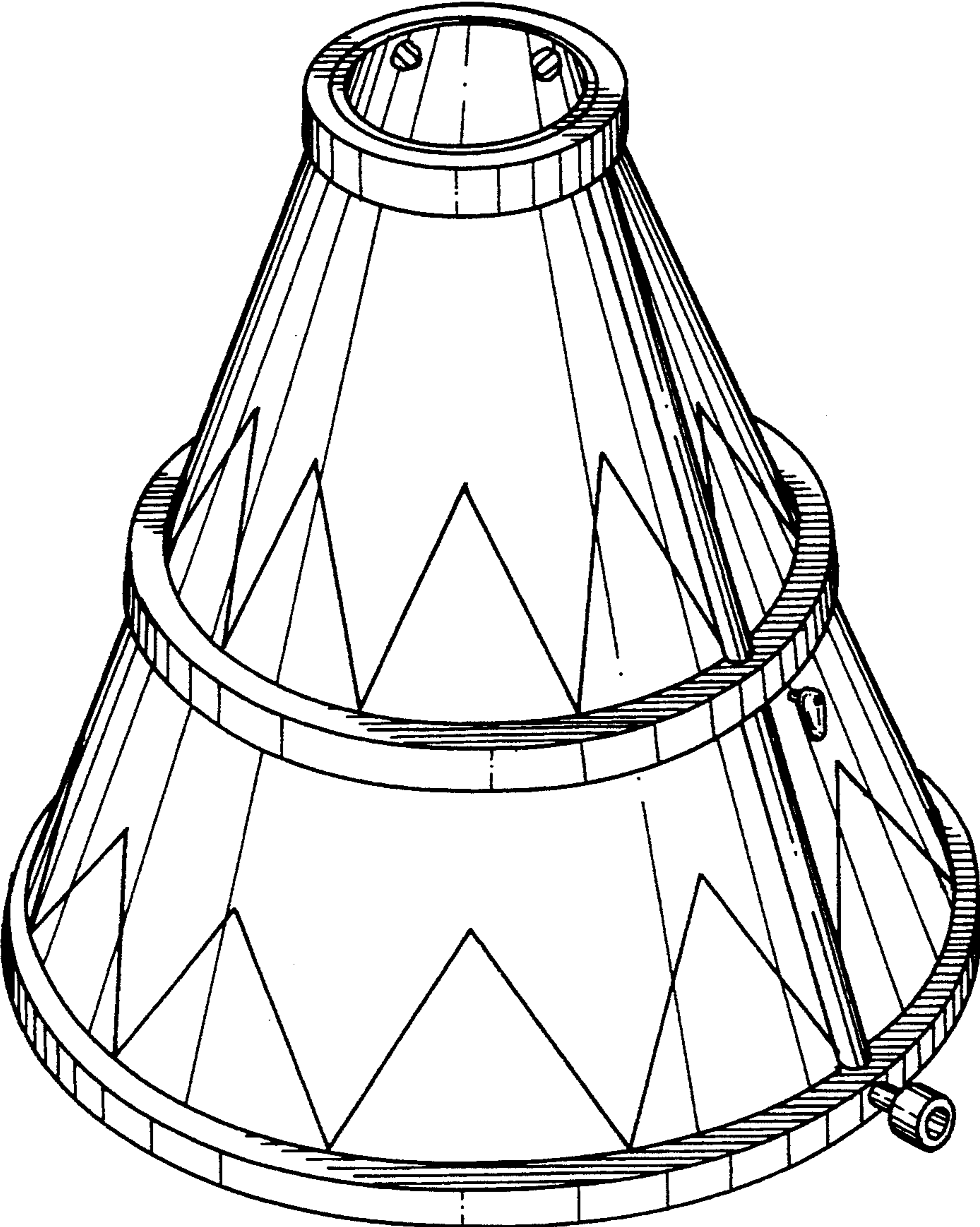


FIG.1.

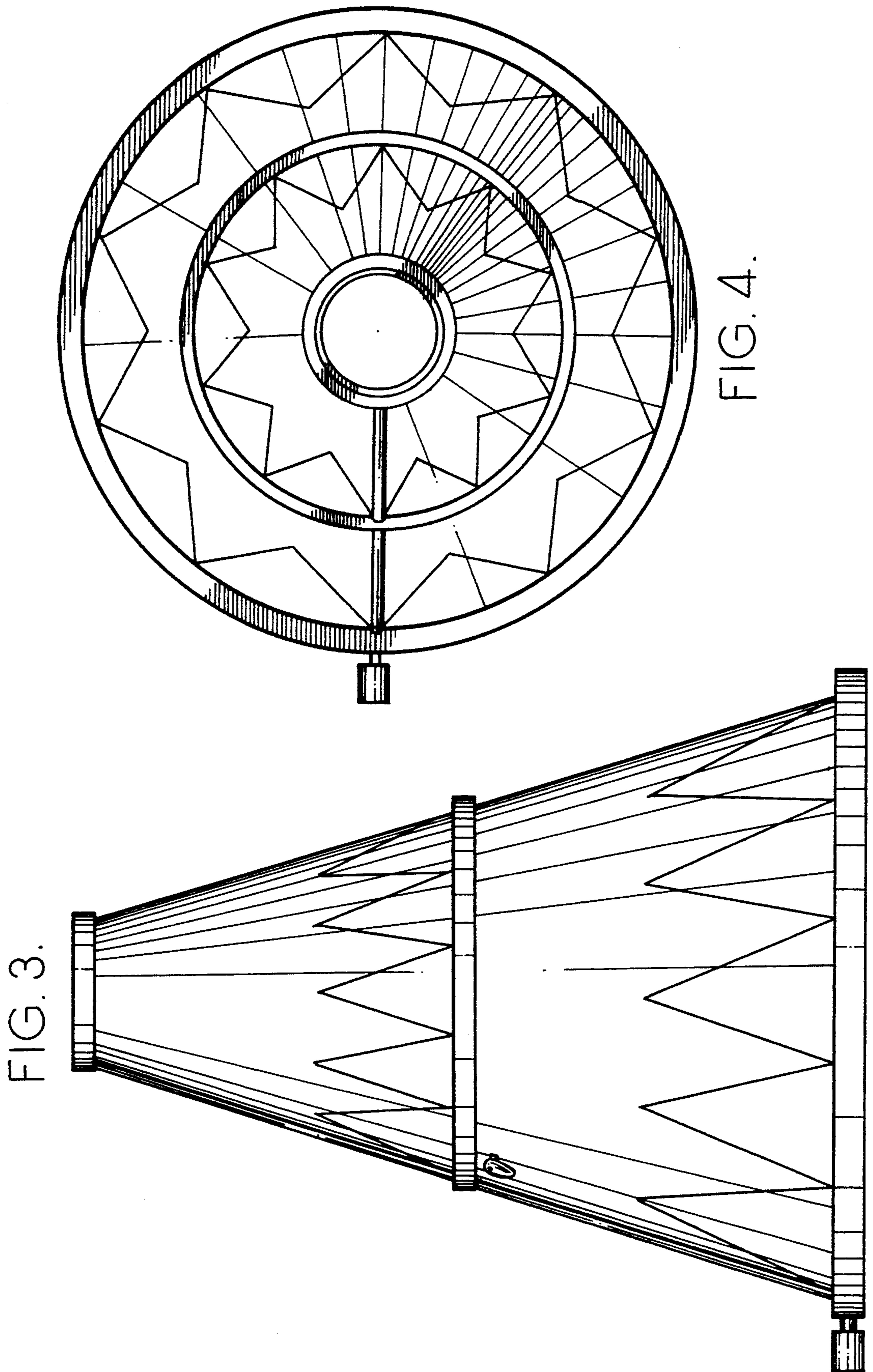


FIG. 3.

FIG. 4.

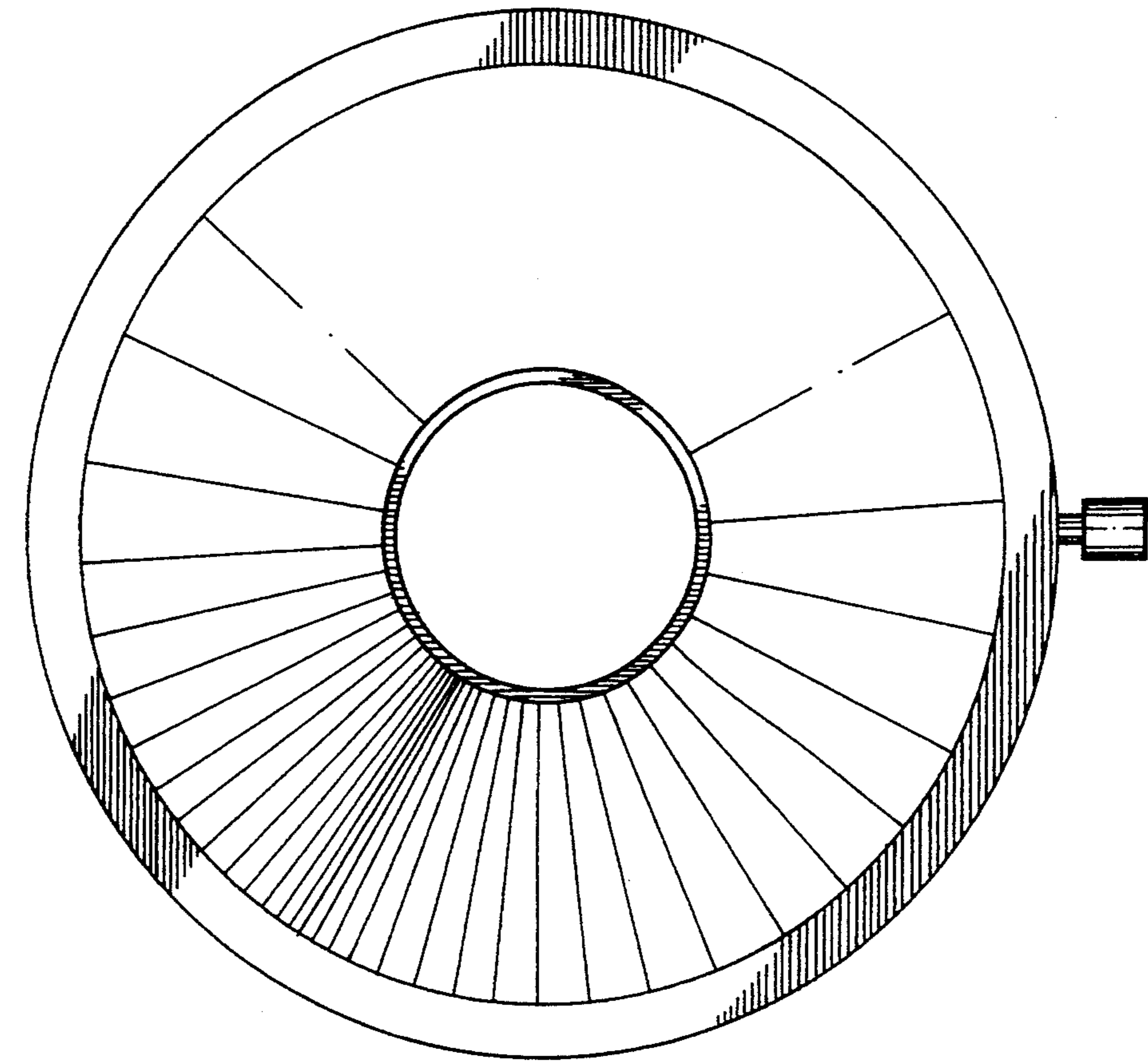


FIG. 5.

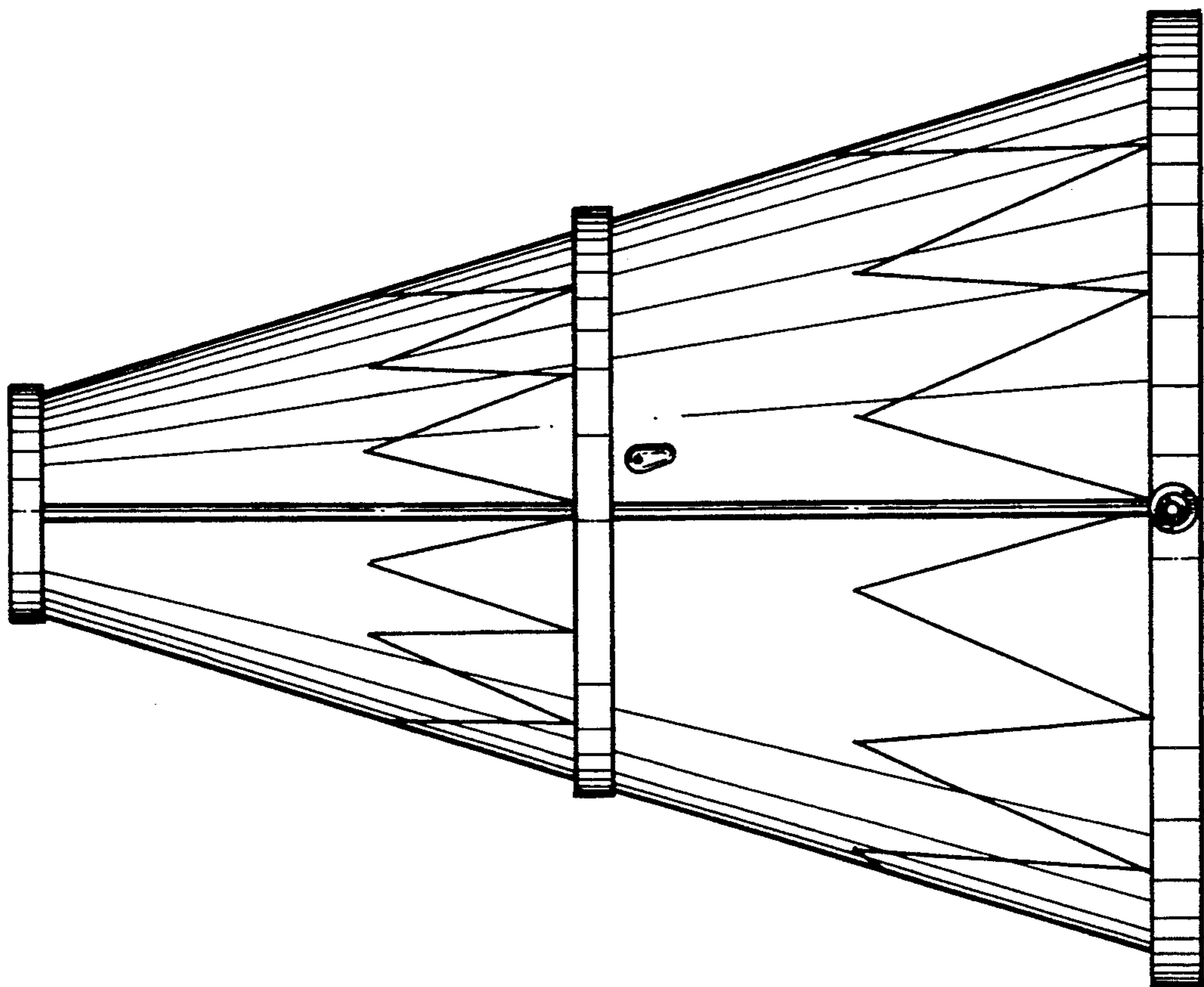


FIG. 2.