



US00D350831S

United States Patent [19]

[11] Patent Number: **Des. 350,831**

Porter

[45] Date of Patent: **** Sep. 20, 1994**

- [54] **LIGHTING FIXTURE SHADE**
- [75] Inventor: **David H. Porter**, Chagrin Falls, Ohio
- [73] Assignee: **The L.D. Kichler Co.**, Cleveland, Ohio
- [**] Term: **14 Years**
- [21] Appl. No.: **8,467**
- [22] Filed: **May 14, 1993**
- [52] U.S. Cl. **D26/130**
- [58] Field of Search 362/351, 355, 356, 360, 362/361, 363, 367, 147, 404-408; D26/72, 80-92, 128-136

Primary Examiner—Susan J. Lucas
Attorney, Agent, or Firm—Watts, Hoffmann, Fisher & Heinke

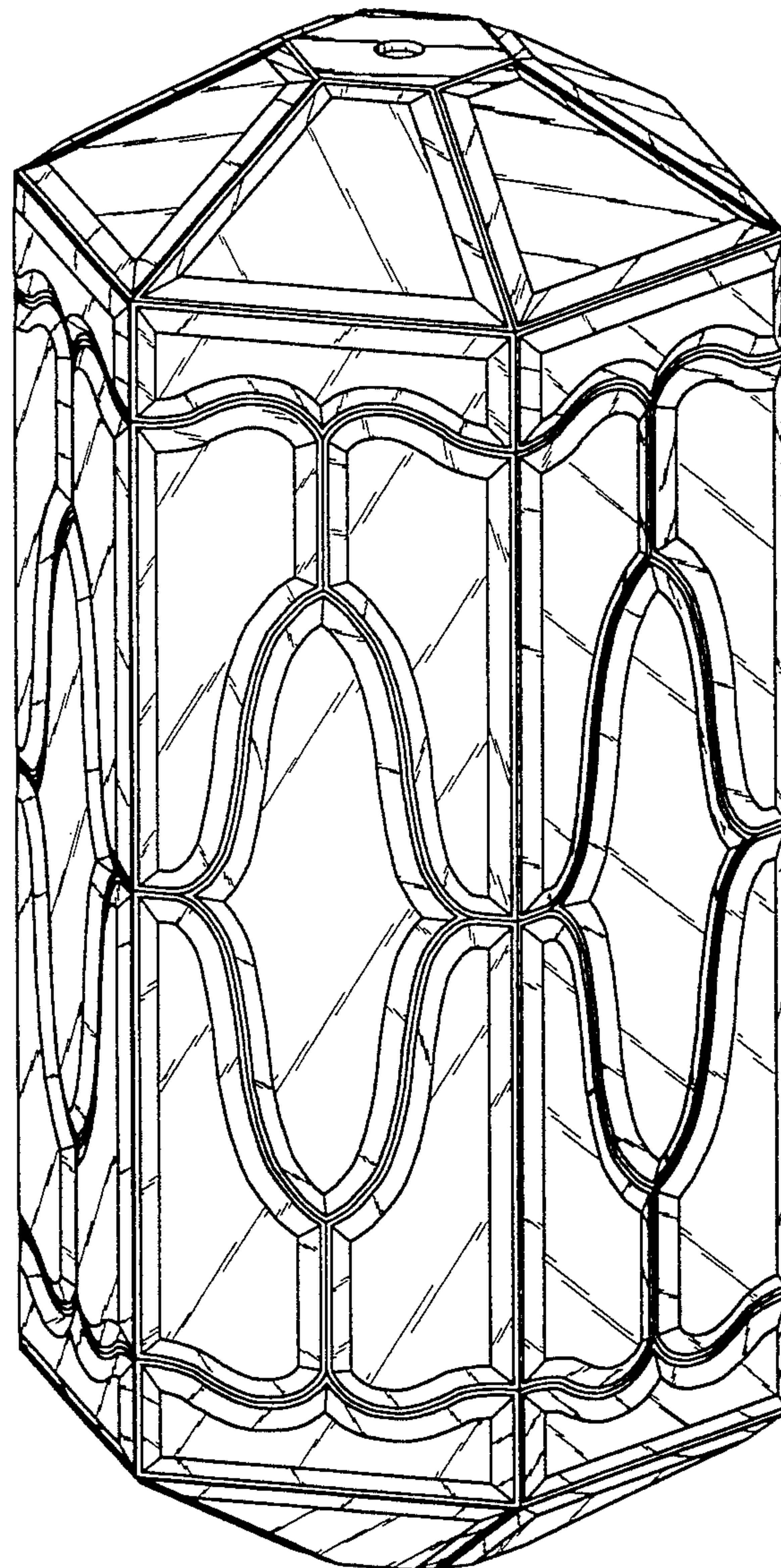
[57] **CLAIM**

The ornamental design for a lighting fixture shade, as shown and described.

DESCRIPTION

FIG. 1 is a perspective view of a glass shade showing my new design;
 FIG. 2 is a top plan view thereof, the bottom plan view being identical;
 FIG. 3 is a front elevational view as seen approximately from the plane indicated by the line 3—3 in FIG. 2, the rear elevational view being identical; and,
 FIG. 4 is a side elevational view as seen approximately from the plane indicated by the line 4—4 in FIG. 2, the opposite side elevational view being identical.

- [56] **References Cited**
- U.S. PATENT DOCUMENTS**
- D. 317,214 5/1991 Porter D26/130
- D. 339,208 9/1993 Porter D26/130



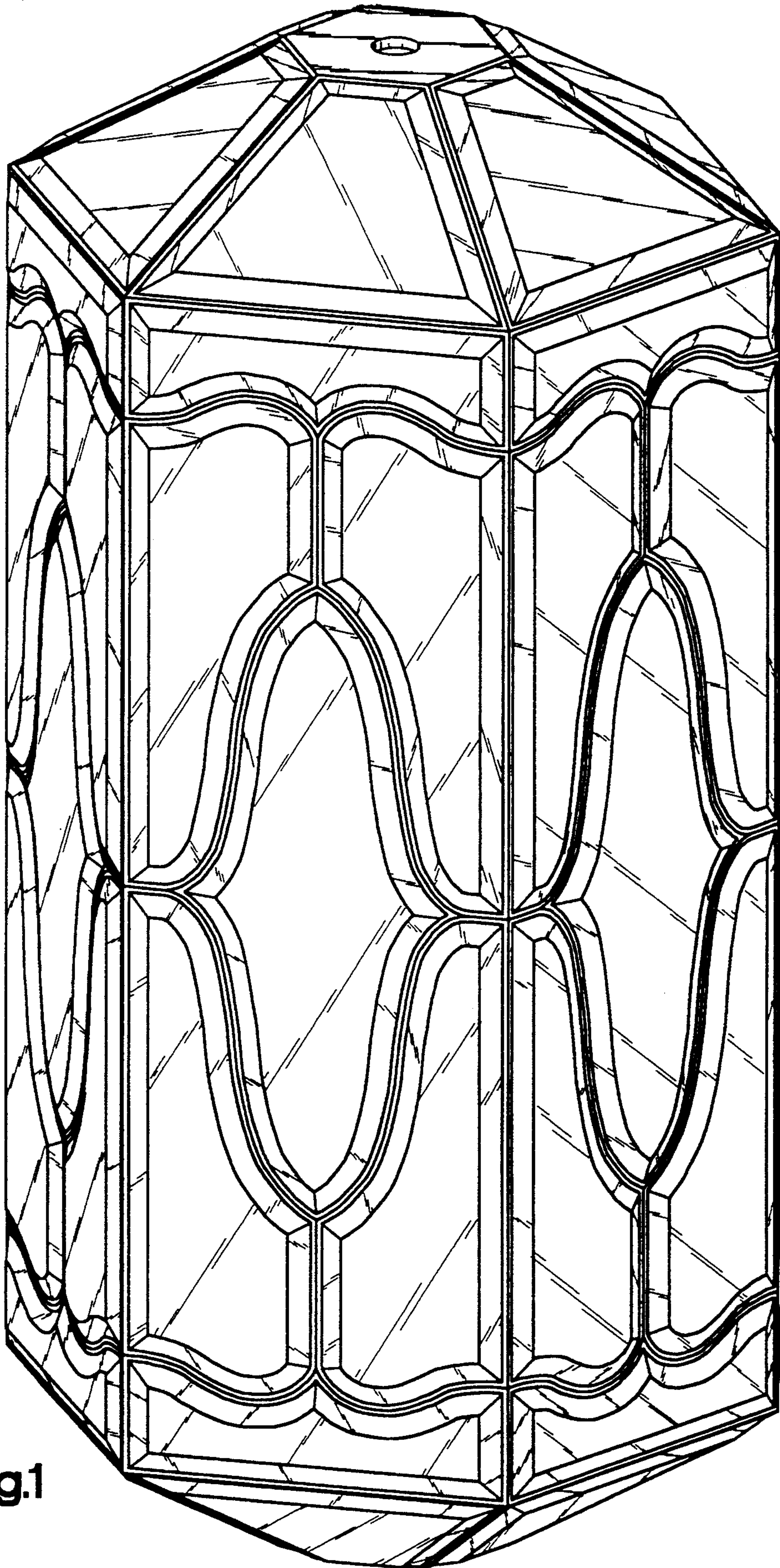


Fig.1

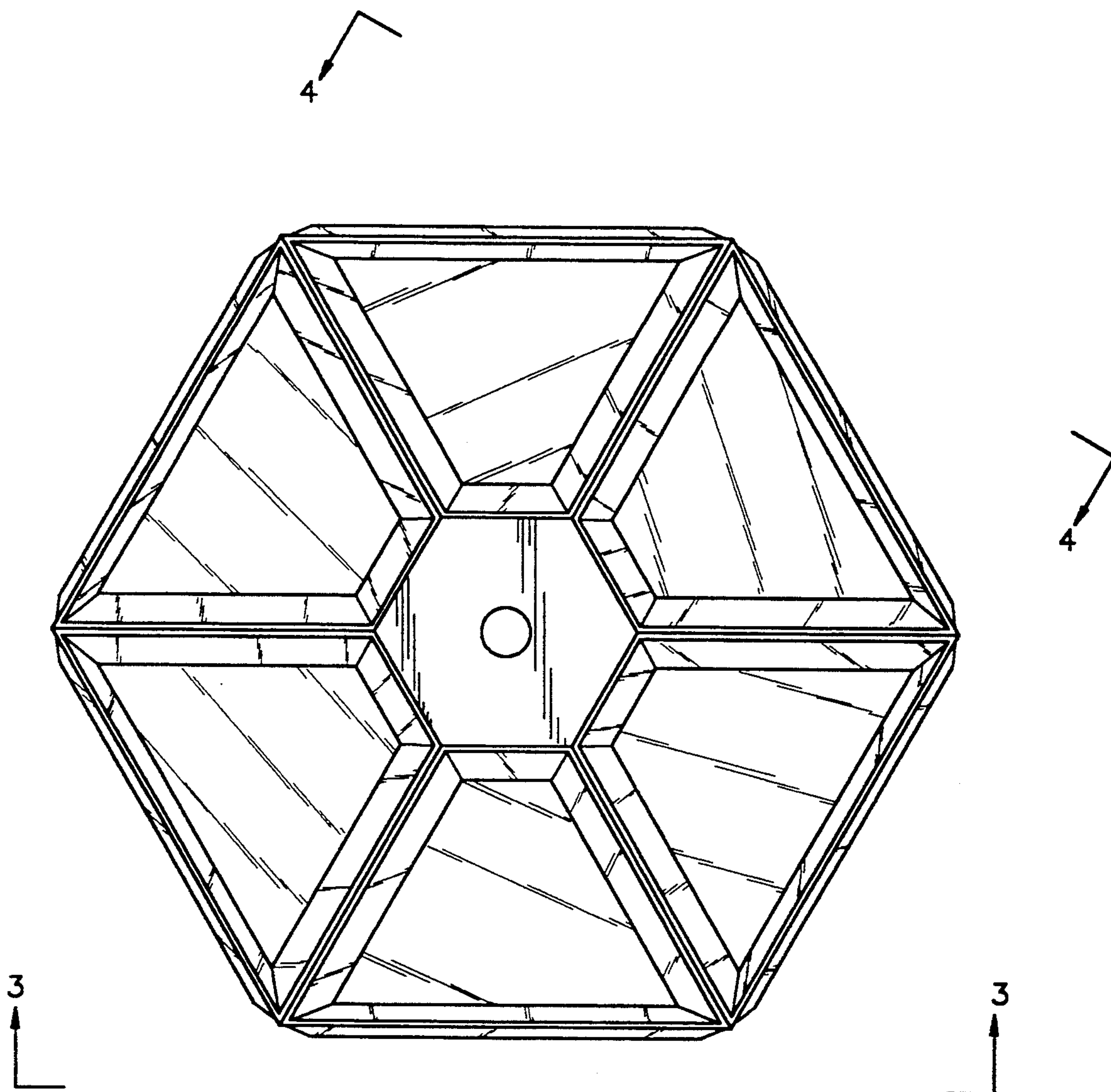


Fig.2

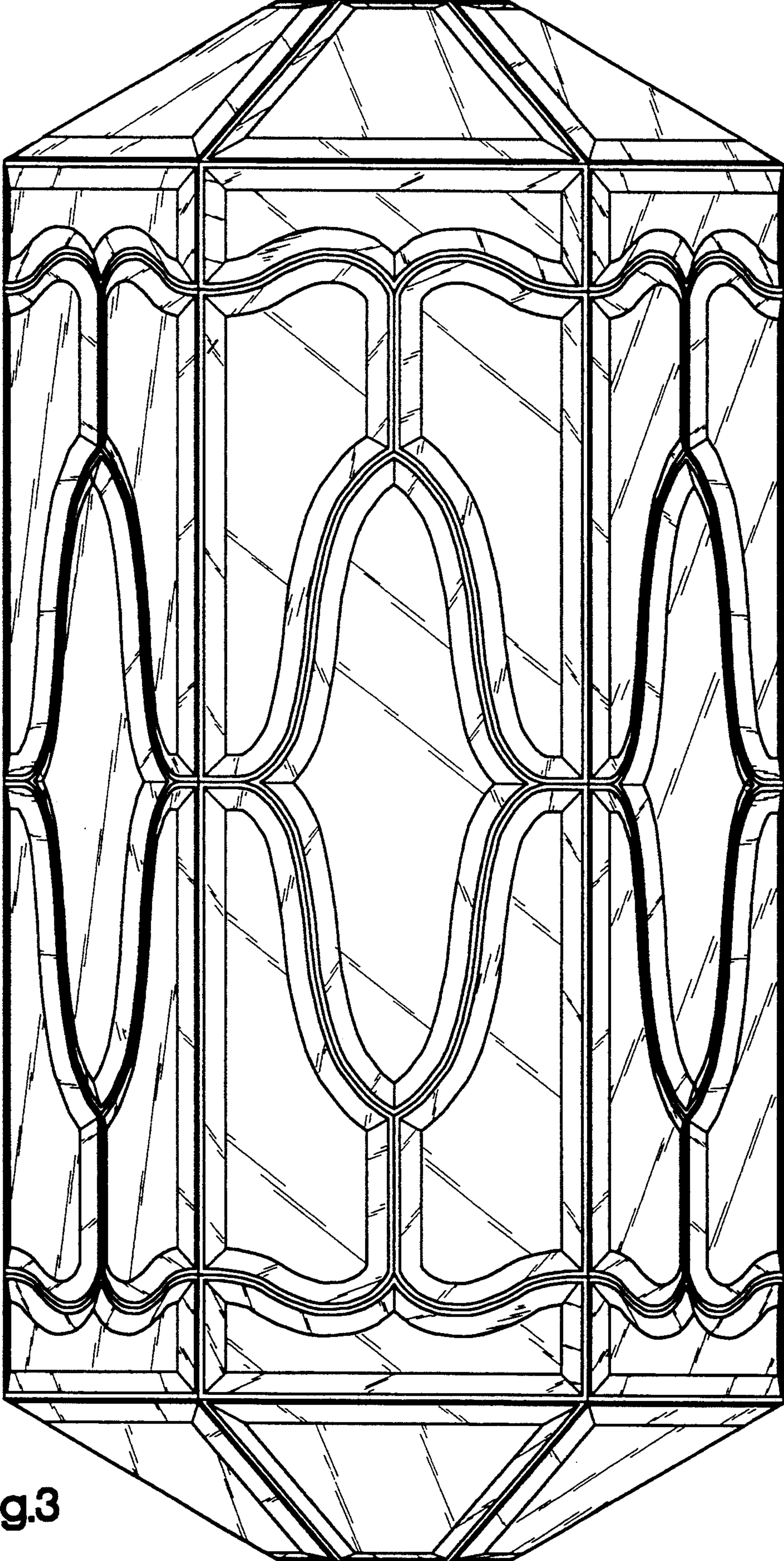


Fig.3

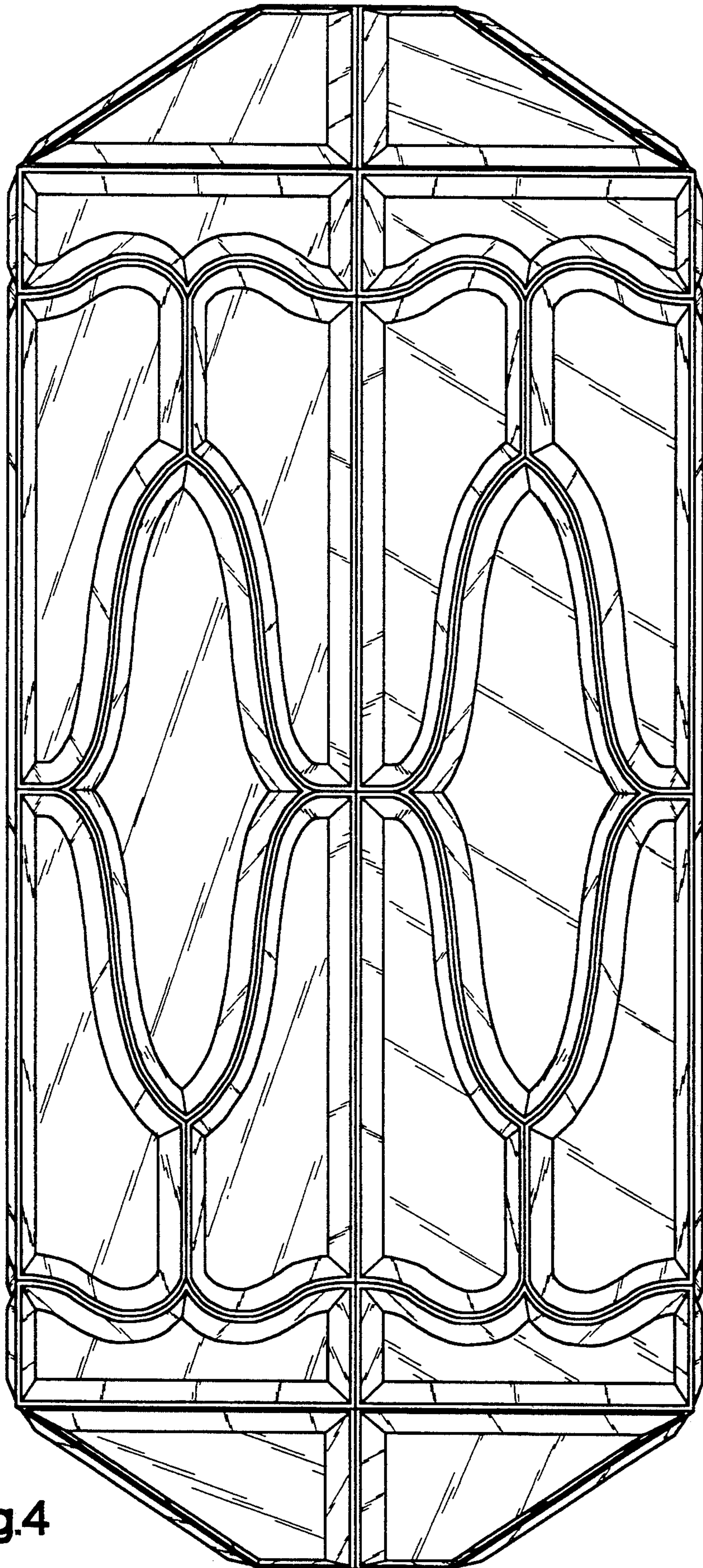


Fig.4