



US00D350829S

# United States Patent [19]

[11] Patent Number: **Des. 350,829**

Horton

[45] Date of Patent: **\*\* Sep. 20, 1994**

[54] KIOSK

D. 254,327 2/1980 Tasse ..... D25/1 X

[75] Inventor: **Tony L. Horton, Dallas, Tex.**

D. 279,408 6/1985 Davenport et al. .... D25/16 X

[73] Assignee: **T L Horton Design, Inc., Dallas, Tex.**

D. 288,609 3/1987 Watkins ..... D25/26 X

[\*\*] Term: **14 Years**

*Primary Examiner*—A. Hugo Word

*Assistant Examiner*—Doris V. Coles

*Attorney, Agent, or Firm*—Ross, Howison, Clapp & Korn

[21] Appl. No.: **4,172**

### [57] CLAIM

[22] Filed: **Jan. 28, 1993**

The ornamental design for kiosk, as shown and described.

[52] U.S. Cl. .... **D25/16; D6/381**

[58] Field of Search ..... 52/74, 34; D6/370, 381, D6/396; D25/16, 25, 22-26

### DESCRIPTION

### [56] References Cited

#### U.S. PATENT DOCUMENTS

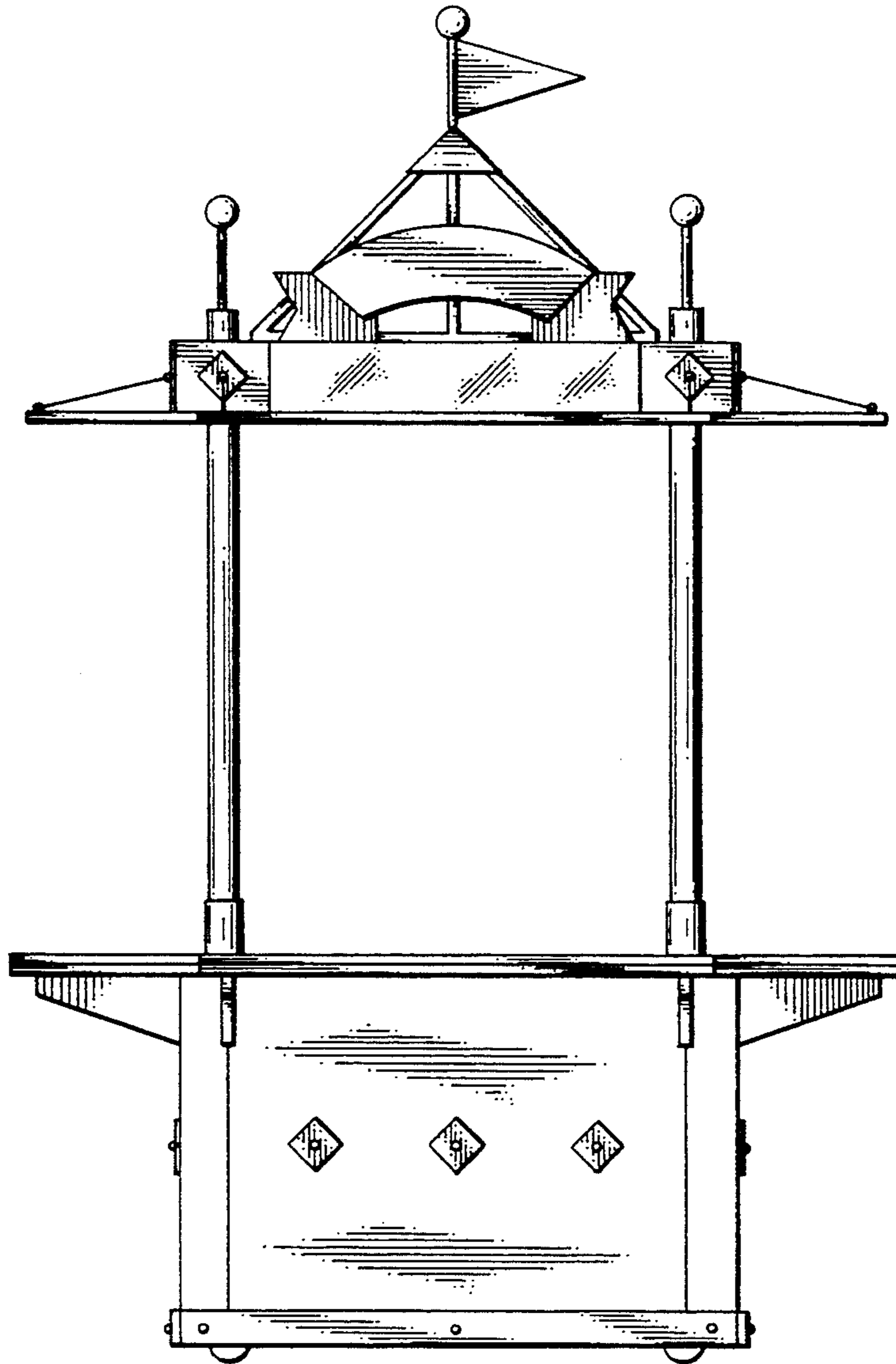
- D. 85,555 11/1931 Stebbings ..... D25/26 X
- D. 200,225 2/1965 Benjamin ..... D25/16 X
- D. 219,579 12/1970 Wormser ..... D25/16

FIG. 1 is a front elevational view, the rear view being a mirror image thereof, of my invention;

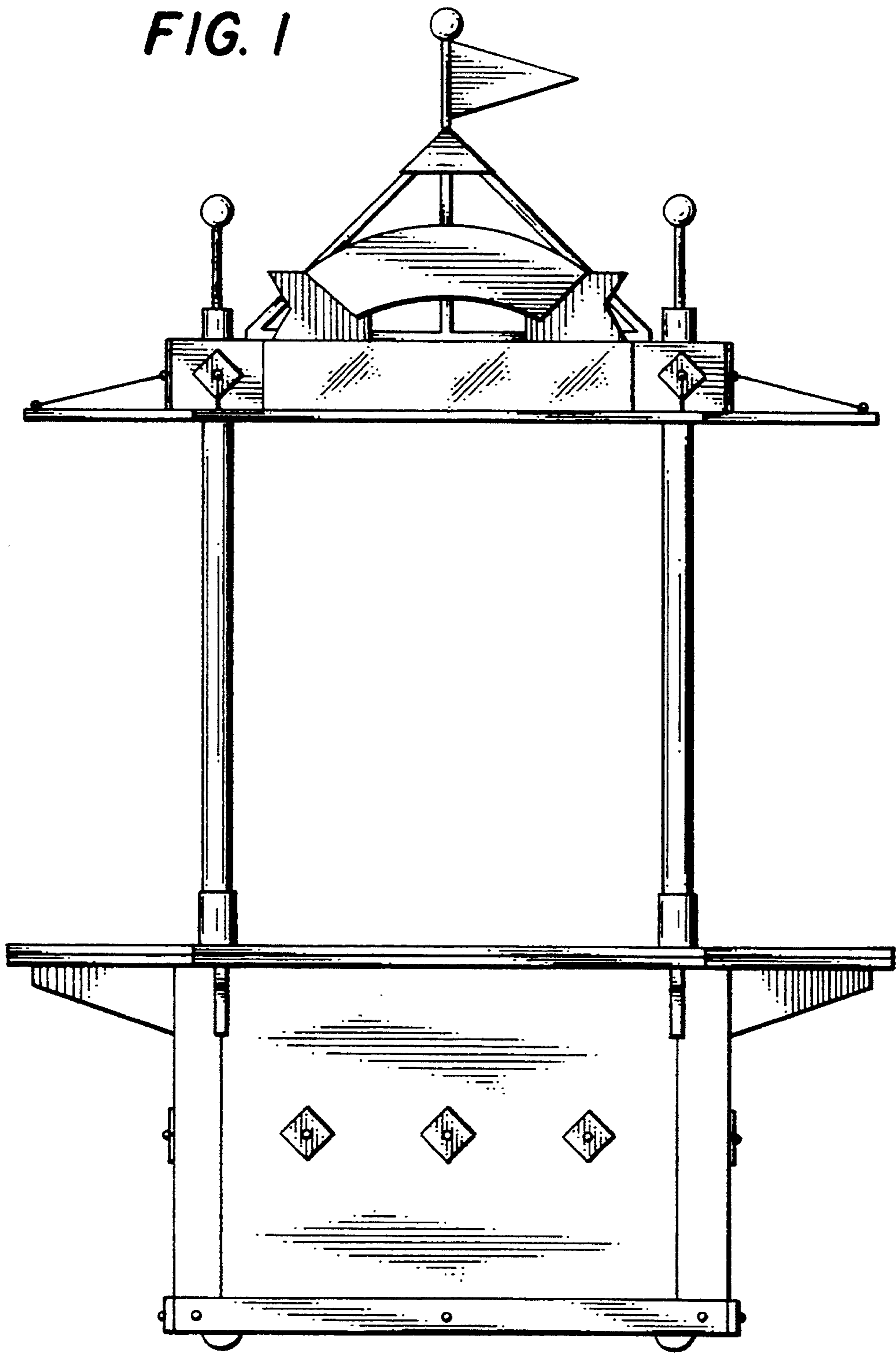
FIG. 2 is a side elevational view, the opposite side view being a mirror image thereof;

FIG. 3 is a top plan view thereof; and,

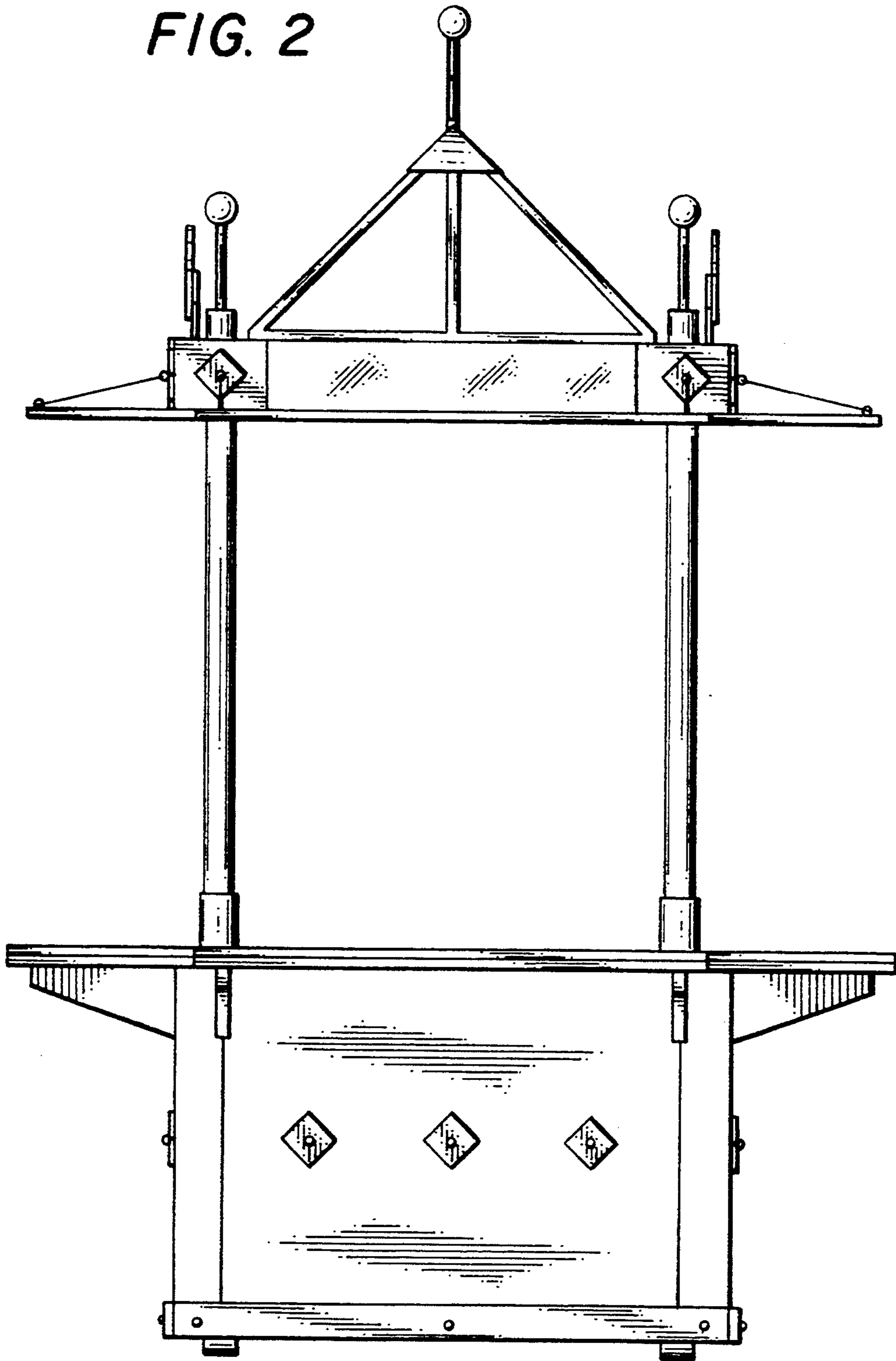
FIG. 4 is a bottom plan view thereof.



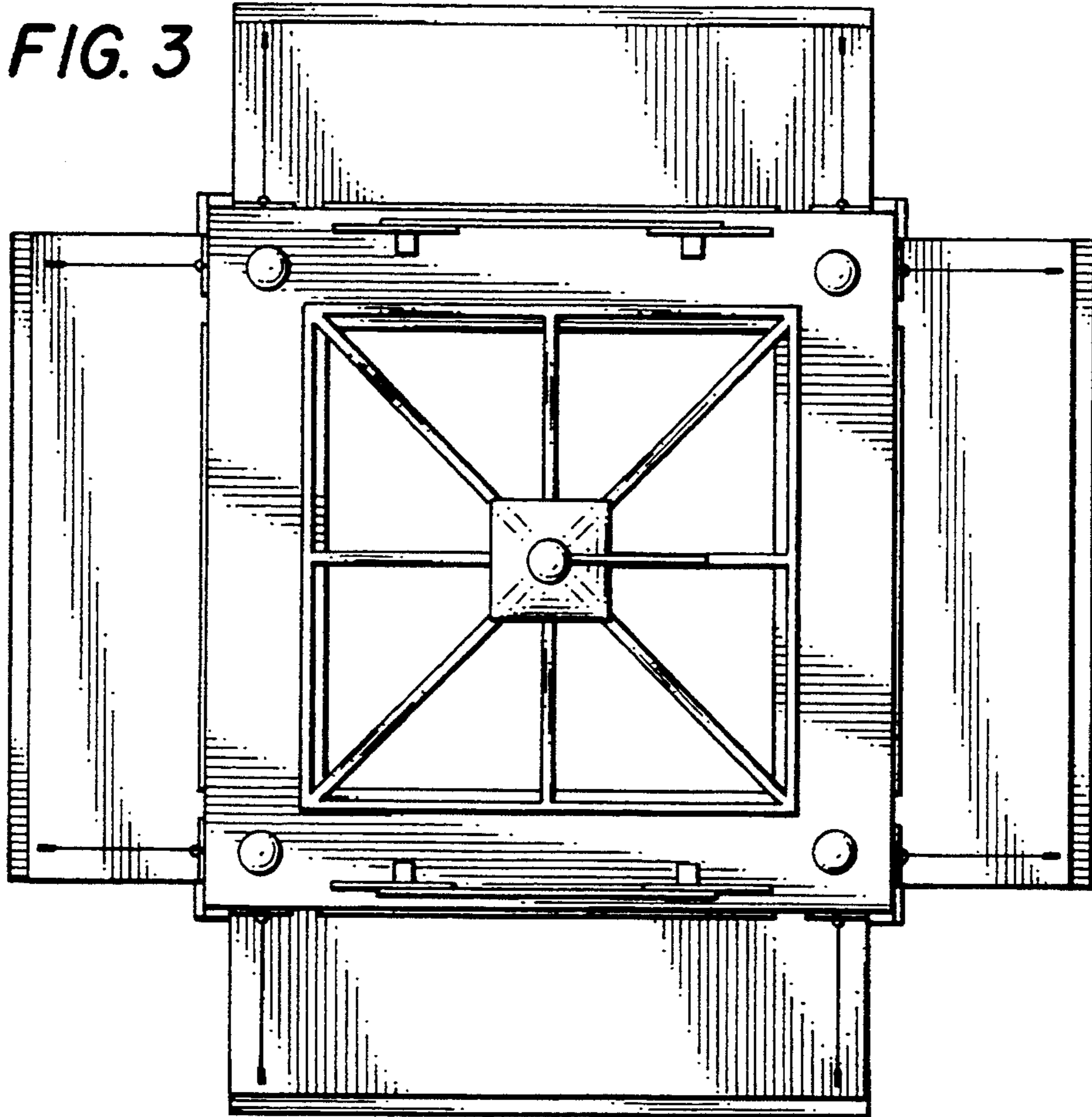
**FIG. 1**



*FIG. 2*



**FIG. 3**



**FIG. 4**

