



US00D350828S

United States Patent [19]

[11] Patent Number: Des. 350,828

Spence, Jr. et al.

[45] Date of Patent: ** Sep. 20, 1994

[54] PACIFIER

5,156,617 10/1992 Reid 606/236 X

[75] Inventors: Meredith Spence, Jr., Cuyahoga Falls; James J. Keane, Aurora, both of Ohio

Primary Examiner—Stella Reid

[73] Assignee: Lisco, Inc., Tampa, Fla.

[57] CLAIM

[**] Term: 14 Years

The ornamental design for a pacifier, as shown and described.

[21] Appl. No.: 919,116

DESCRIPTION

[22] Filed: Jul. 24, 1992

FIG. 1 is a front view of a pacifier showing the design of my invention;

[52] U.S. Cl. D24/195

FIG. 2 is a top plan view showing the design of my invention;

[58] Field of Search 606/234, 235, 236; D24/195, 194

FIG. 3 is a bottom view showing the design of my invention;

[56] References Cited

U.S. PATENT DOCUMENTS

- D. 296,471 6/1988 Marriott D24/195
- D. 299,064 12/1988 Berndt D24/195
- D. 337,825 7/1993 Craner D24/195

FIG. 4 is a rear view showing the design of my invention; and,

FIG. 5 is a right side view showing the design of my invention.

The left side view is a mirror image of the right side view.

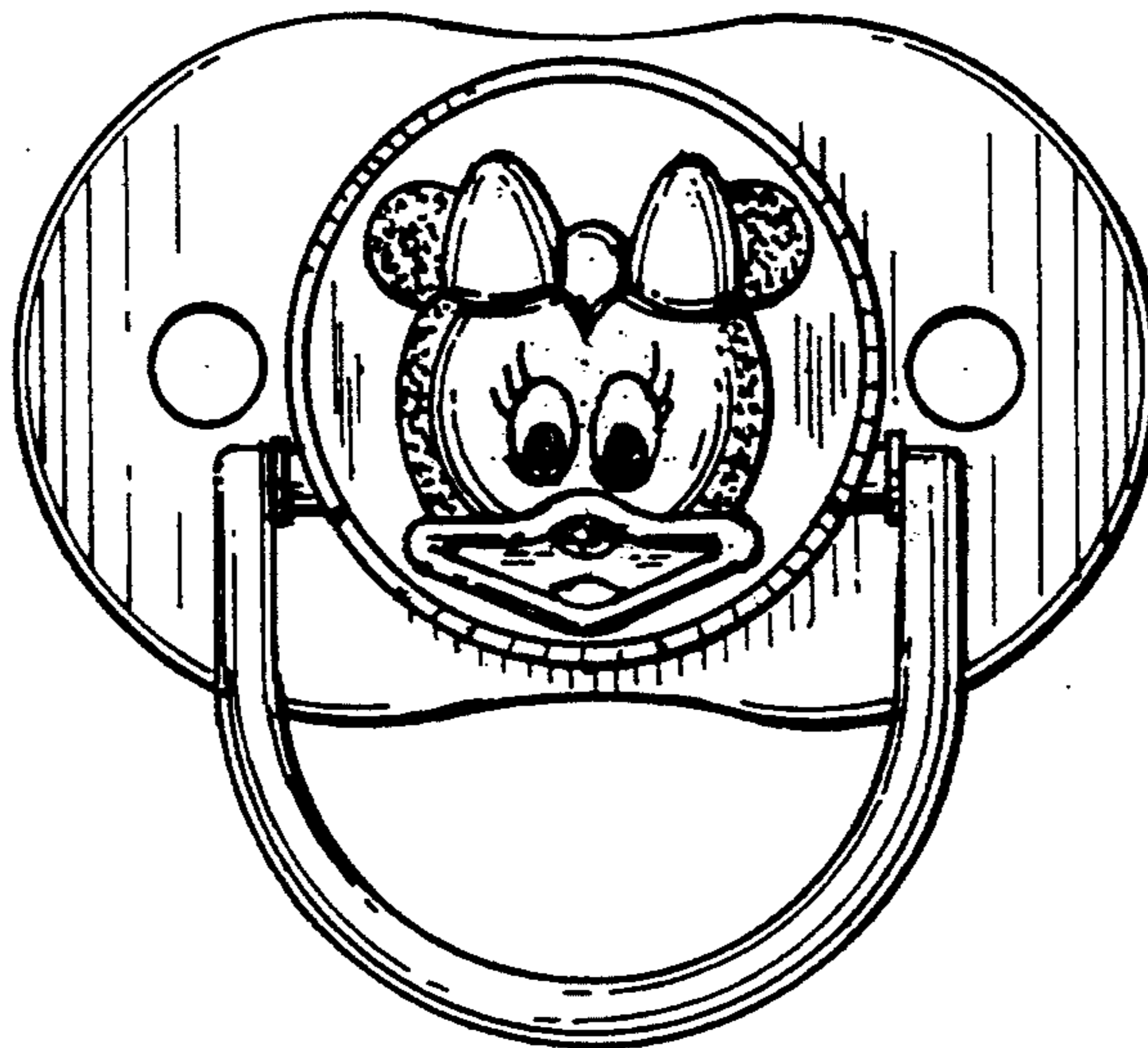


Fig. 2

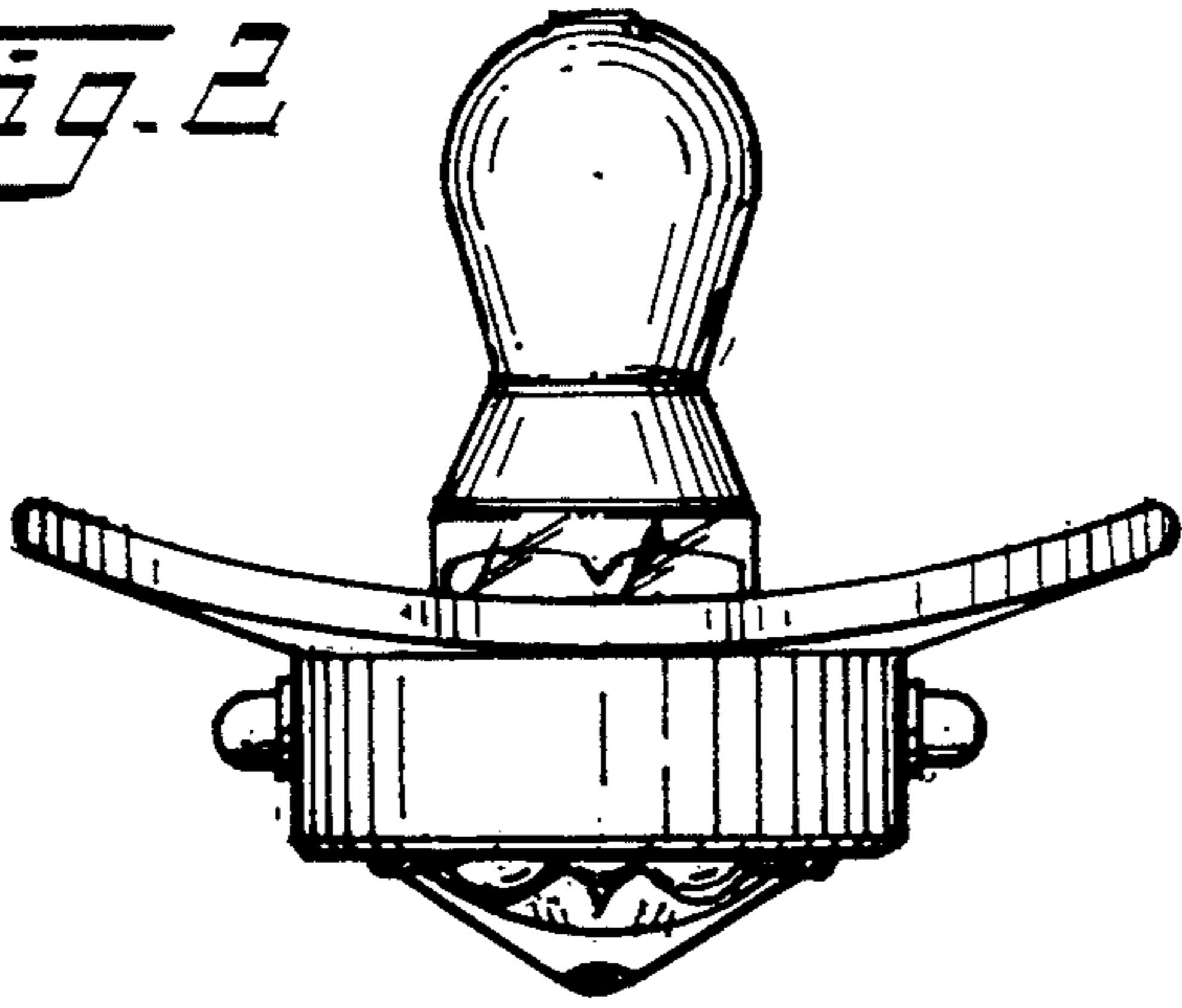


Fig. 4

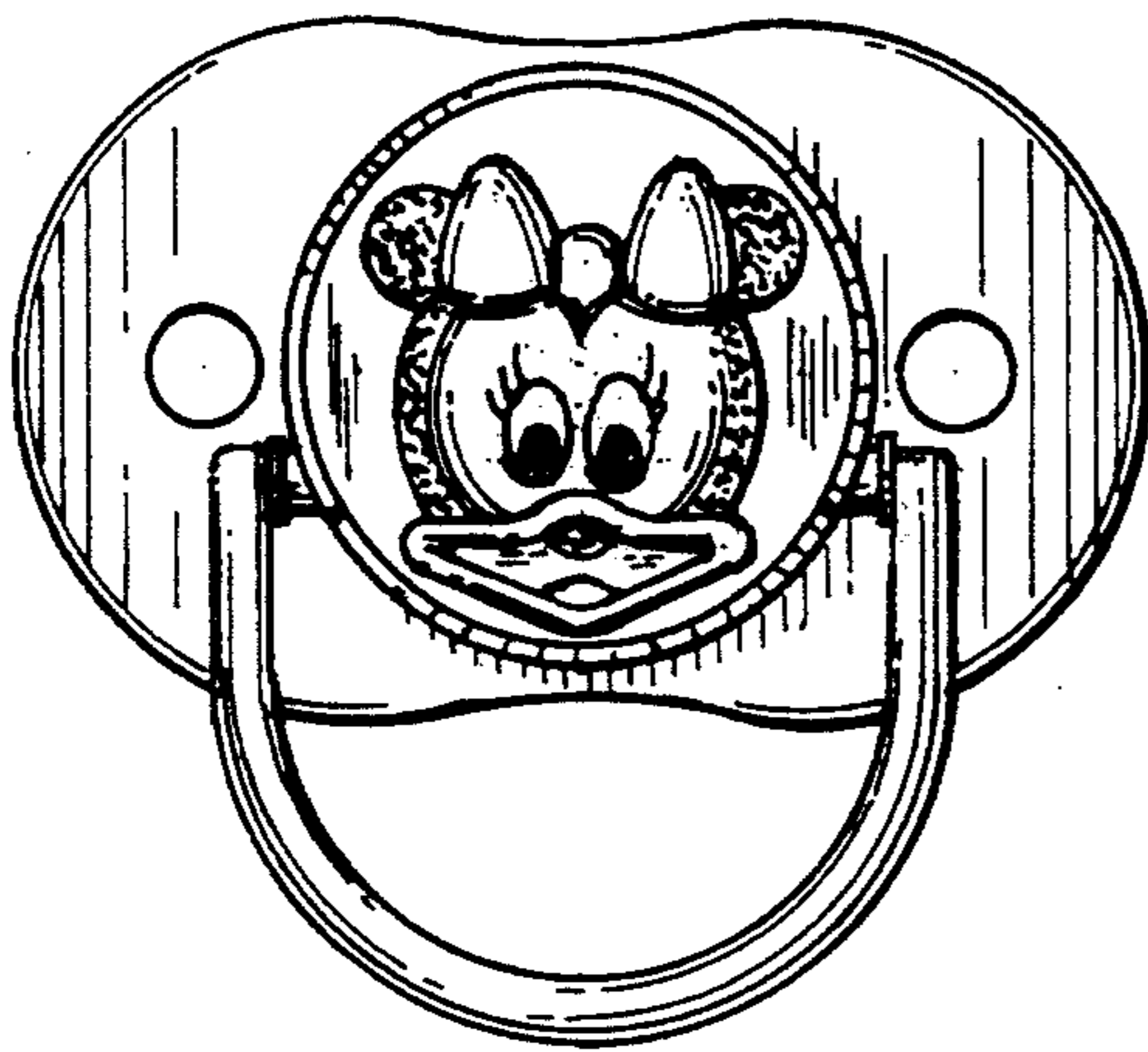
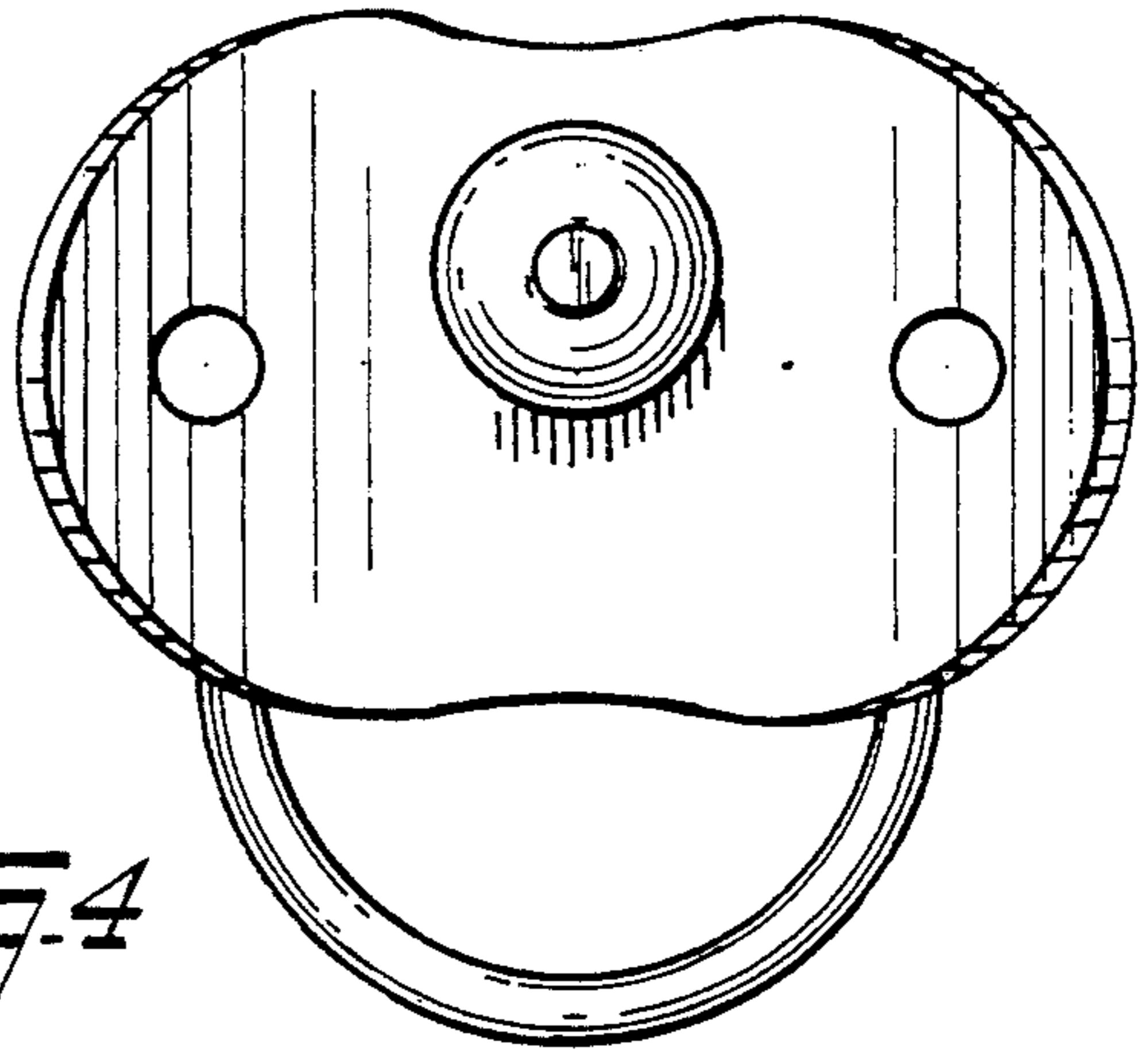


Fig. 1

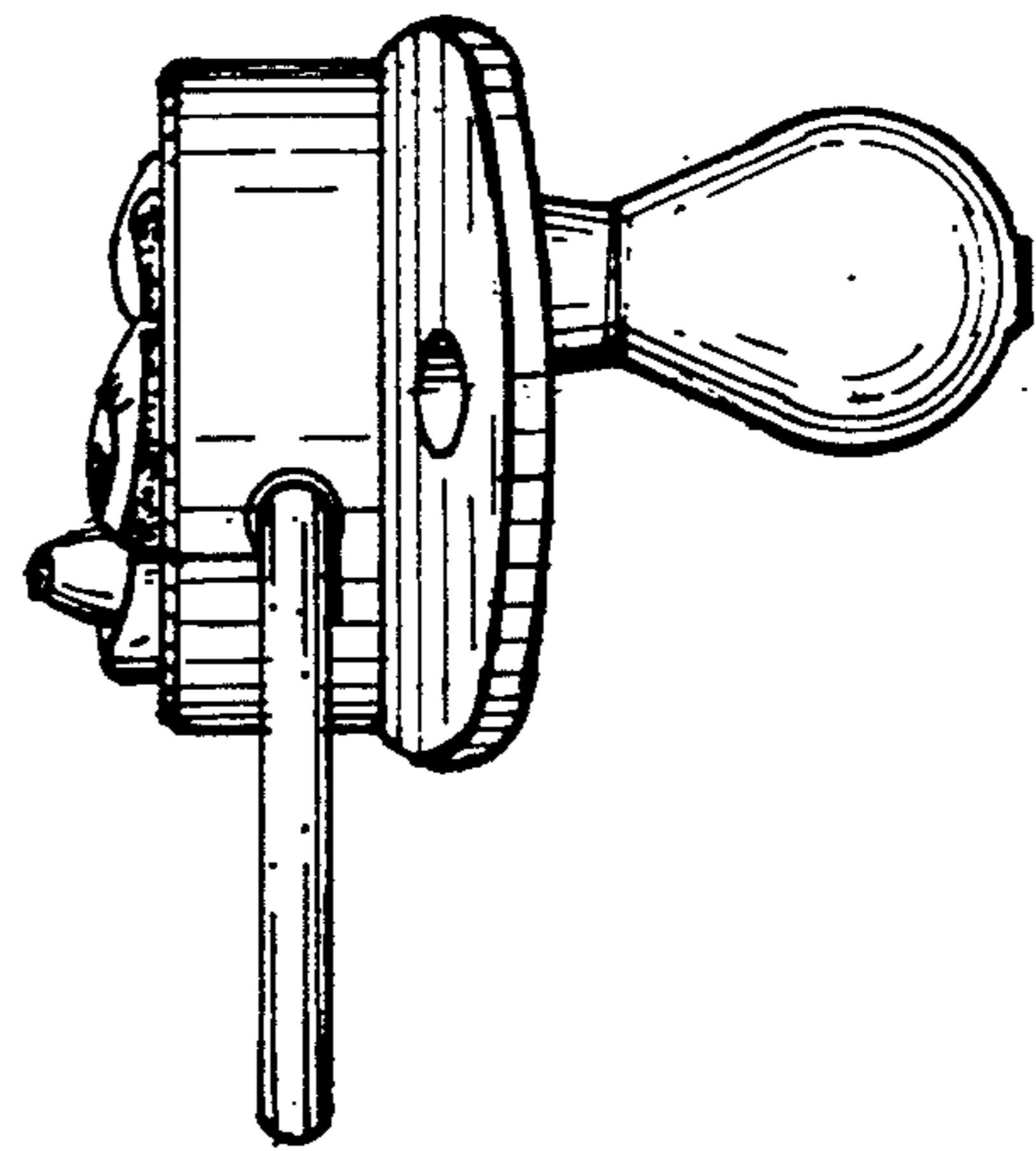


Fig. 5

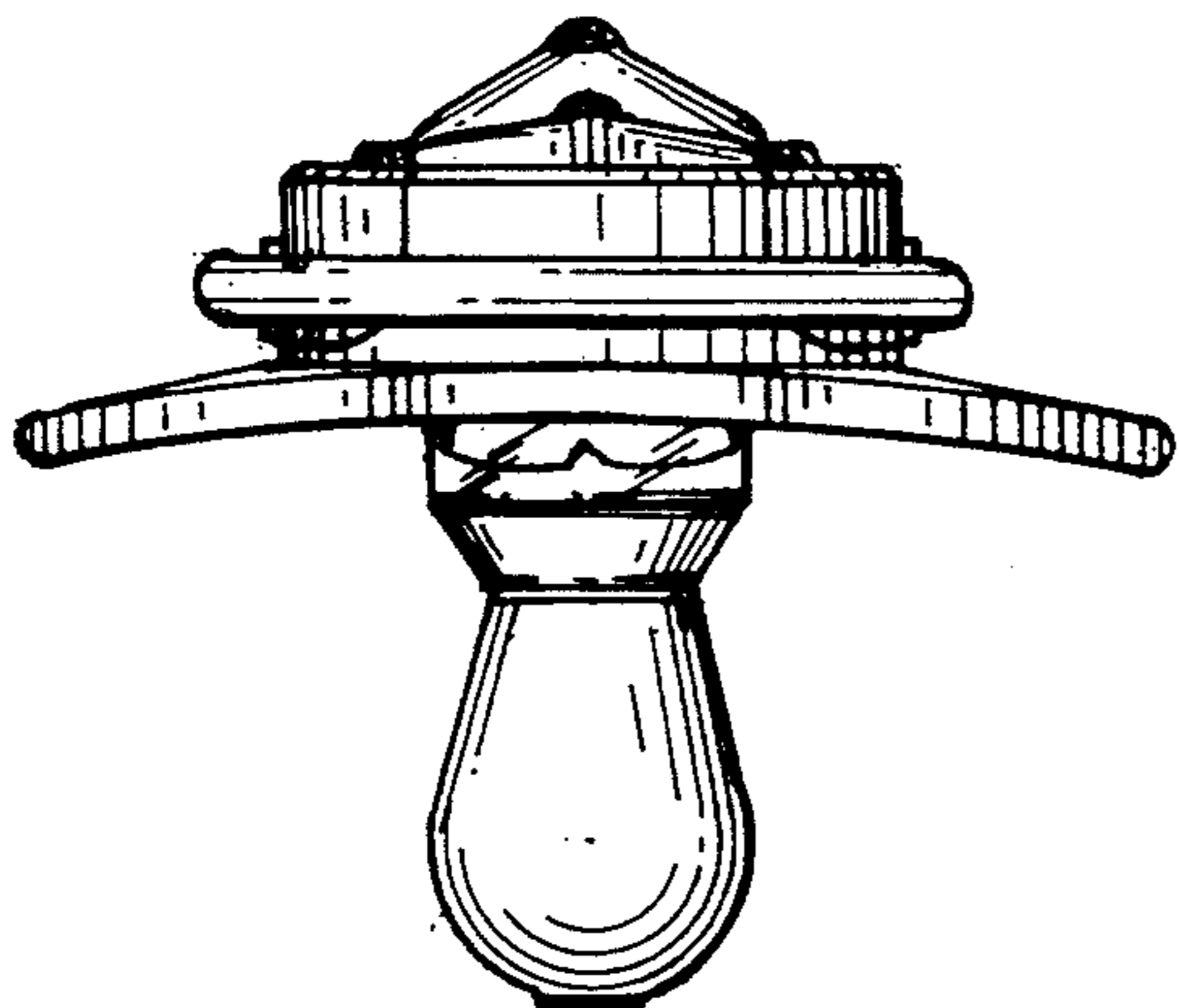


Fig. 3