



US00D350826S

United States Patent [19]

[11] Patent Number: **Des. 350,826**

Young et al.

[45] Date of Patent: **** Sep. 20, 1994**

[54] **DISPOSABLE DENTAL INSTRUMENT KIT**

2,696,048	12/1954	Lindgren	D24/153 X
3,648,702	3/1972	Bean	D24/143 X
3,879,846	4/1975	Allen, Jr.	D24/143 X

[76] Inventors: **Rily Young; James Shen**, both of 18751 Beach Blvd., Huntington Beach, Calif. 94628

FOREIGN PATENT DOCUMENTS

850648 9/1952 Fed. Rep. of Germany ... D24/ 133

[*] Notice: The portion of the term of this patent subsequent to Aug. 20, 2008 has been disclaimed.

Primary Examiner—Wallace R. Burke
Assistant Examiner—M. H. Tung
Attorney, Agent, or Firm—David Pressman

[**] Term: **14 Years**

[57] **CLAIM**

[21] Appl. No.: **724,967**

The ornamental design for a disposable dental instrument kit, as shown and described.

[22] Filed: **Jul. 2, 1991**

DESCRIPTION

[52] U.S. Cl. **D24/176**

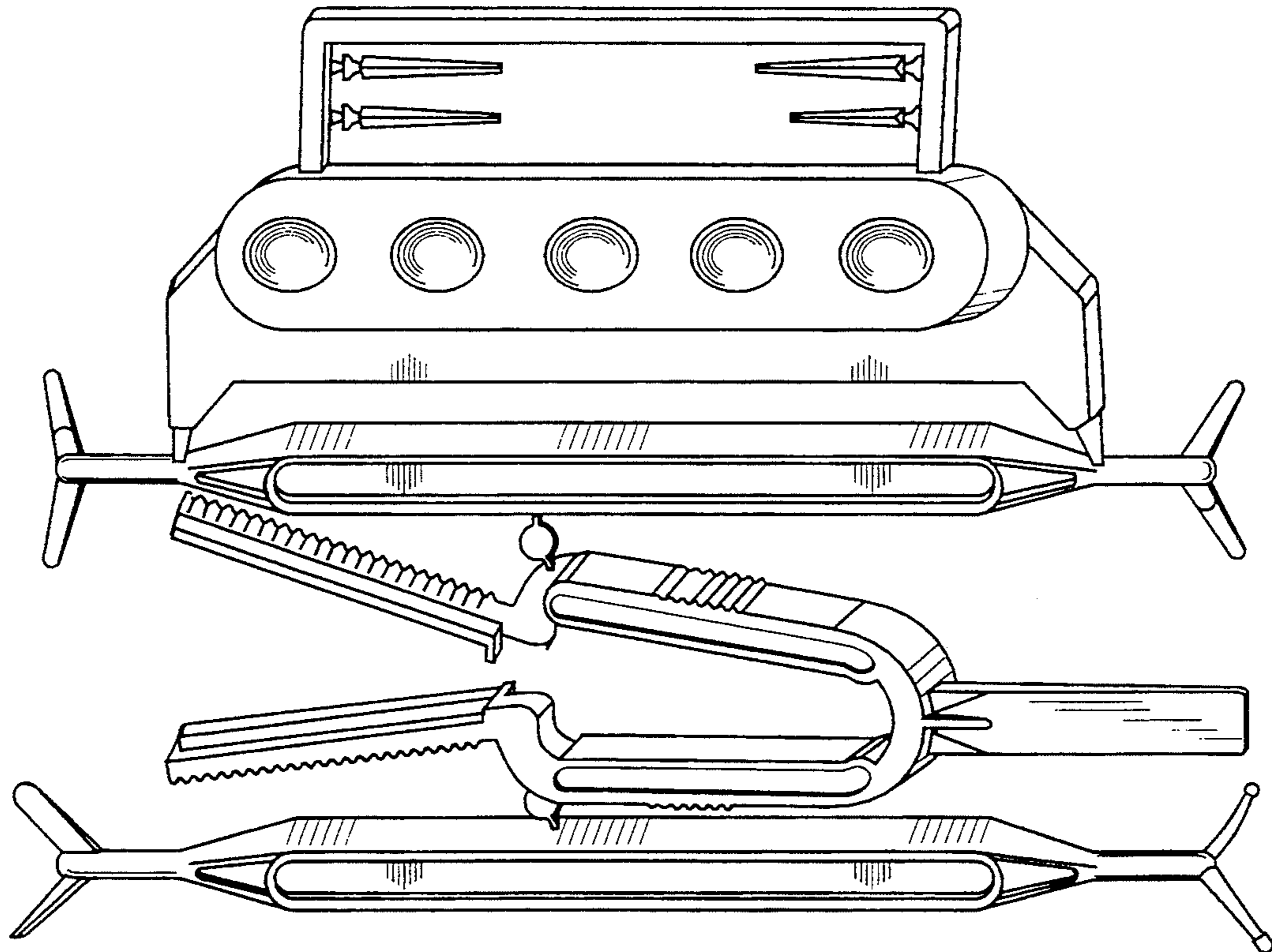
[58] **Field of Search** 433/141-147, 433/114, 216, 228.1; D9/344; D7/643, 653; D24/133, 146, 152-154, 143, 216, 227, 229-230

FIG. 1 is a top plan view of a disposable dental instrument kit showing our new design; FIG. 2 is a bottom plan view thereof; FIG. 3 is a left side elevational view thereof, on a greatly enlarged scale; FIG. 4 is a right side elevational view thereof, on a greatly enlarged scale; FIG. 5 is a front elevational view thereof, on an enlarged scale; FIG. 6 is a rear elevational view thereof, on an enlarged scale; and, FIG. 7 is a top perspective view thereof.

[56] **References Cited**

U.S. PATENT DOCUMENTS

D. 199,379	10/1964	Taterka	D24/229
D. 217,632	5/1970	Bouchet	D7/643 X
D. 288,482	2/1987	Blatherwick et al.	D24/230
D. 309,097	7/1990	Price	D9/341
541,211	6/1895	Nütz	433/147 X
1,684,417	9/1928	Silberman	433/229 X



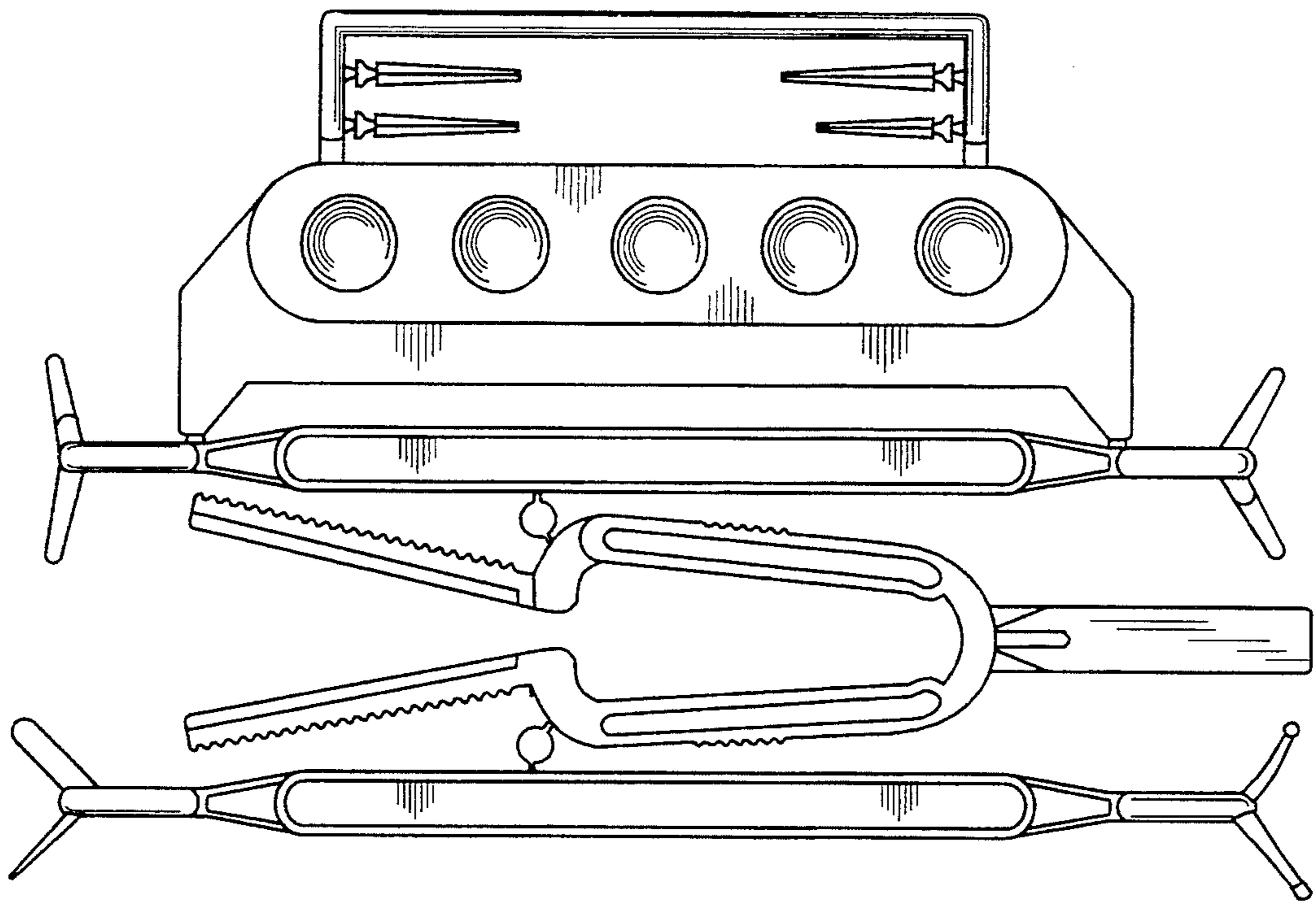


FIG 1

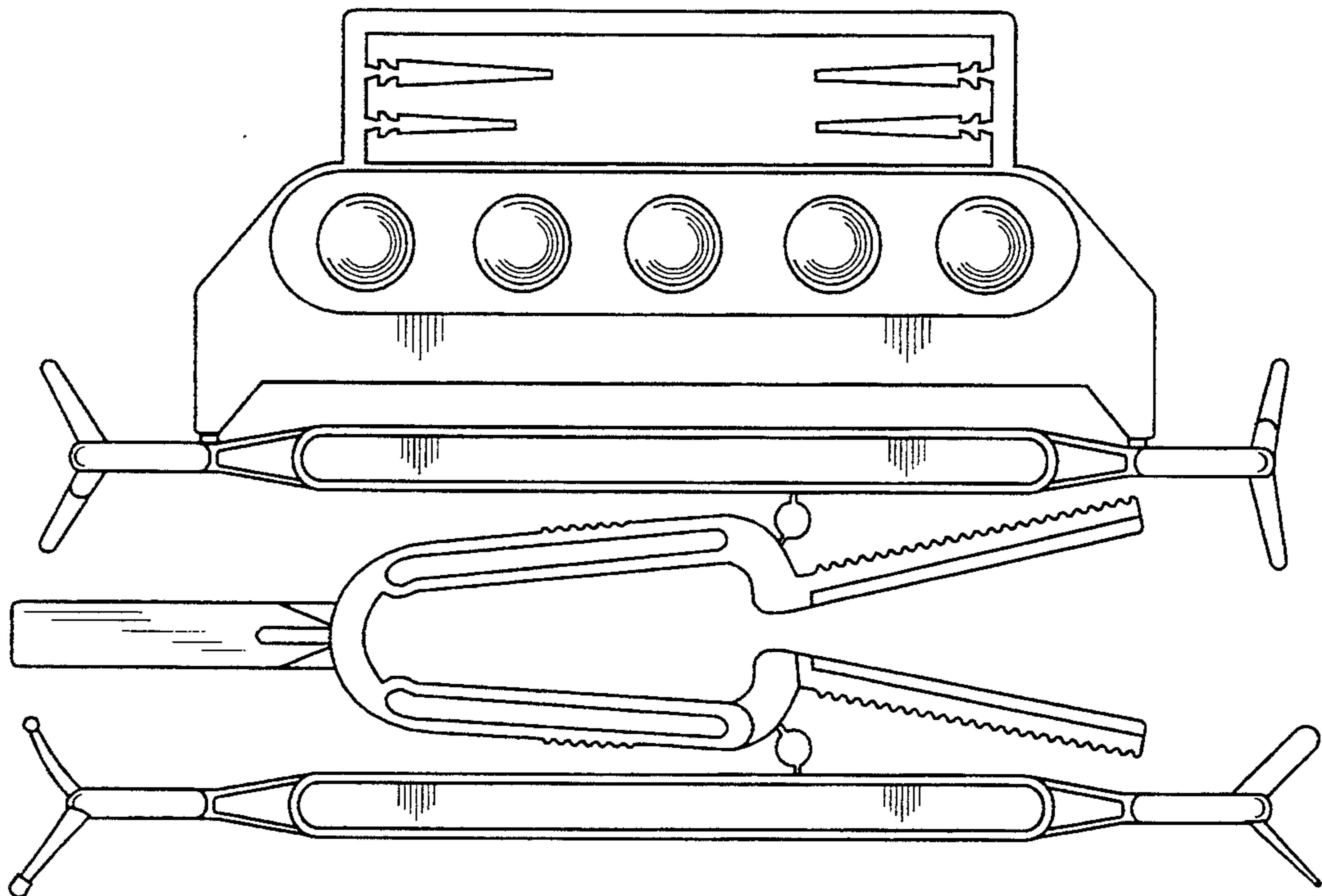


FIG 2

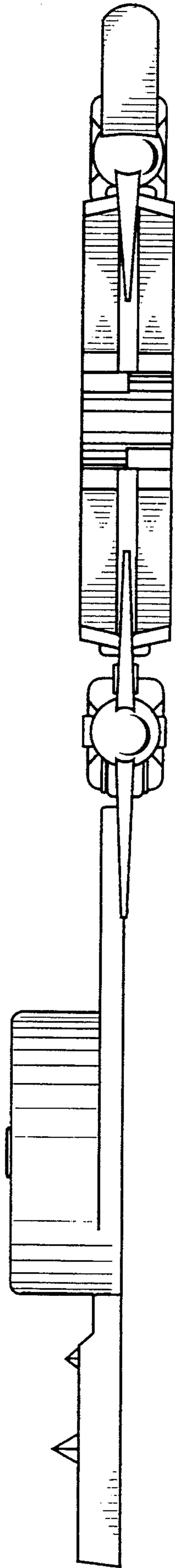


FIG 3

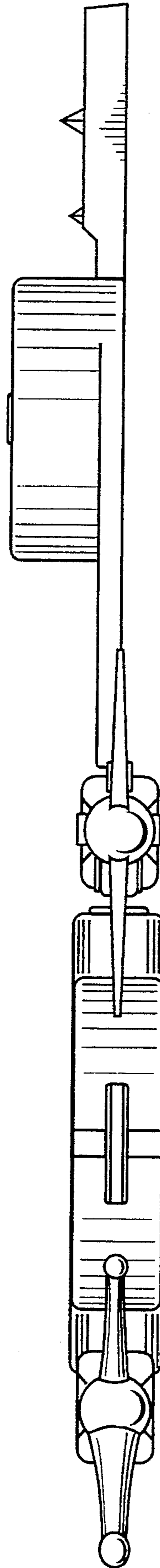


FIG 4



FIG 5



FIG 6

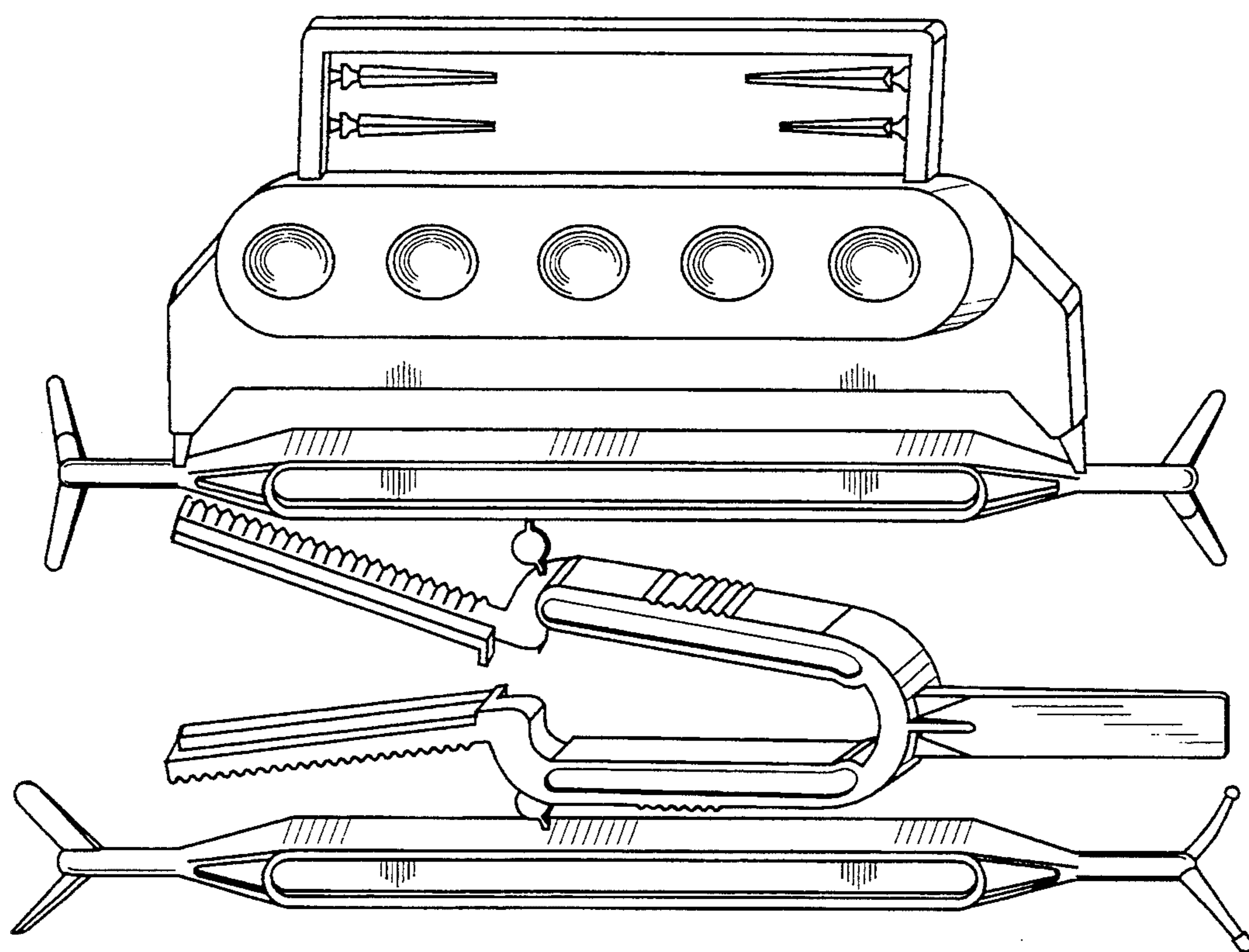


FIG 7