



US00D350824S

# United States Patent [19]

[11] Patent Number: **Des. 350,824**

Perrin, Jr.

[45] Date of Patent: **\*\* Sep. 20, 1994**

[54] **LANDSCAPING BRICK**

3,162,973 12/1964 Christiansen ..... 52/594

[75] Inventor: **James N. Perrin, Jr., Pelican Rapids, Minn.**

4,955,615 9/1990 Eck ..... 446/118

4,964,833 10/1990 Suzuki ..... 446/118

[73] Assignee: **F & M Plastics, Fergus Falls, Minn.**

*Primary Examiner*—A. Hugo Word

*Assistant Examiner*—Doris Clark

*Attorney, Agent, or Firm*—Fredrikson & Byron

[\*\*] Term: **14 Years**

[57] **CLAIM**

[21] Appl. No.: **832,489**

The ornamental design for a landscaping brick, as shown and described.

[22] Filed: **Feb. 7, 1992**

[52] U.S. Cl. .... **D25/113**

**DESCRIPTION**

[58] Field of Search ..... 446/85, 93, 94, 111, 446/113, 118, 121, 125, 122, 124; D25/113-117; D21/108

FIG. 1 is a perspective view of a landscaping brick of the invention;

FIG. 2 is a top view of the brick shown in FIG. 1;

FIG. 3 is a front view of the brick shown in FIG. 1;

FIG. 4 is a left side view of the brick shown in FIG. 1;

FIG. 5 is a right side view of the brick shown in FIG. 1;

FIG. 6 is a rear view of the brick shown in FIG. 1; and,

FIG. 7 is a bottom view of the brick shown in FIG. 1.

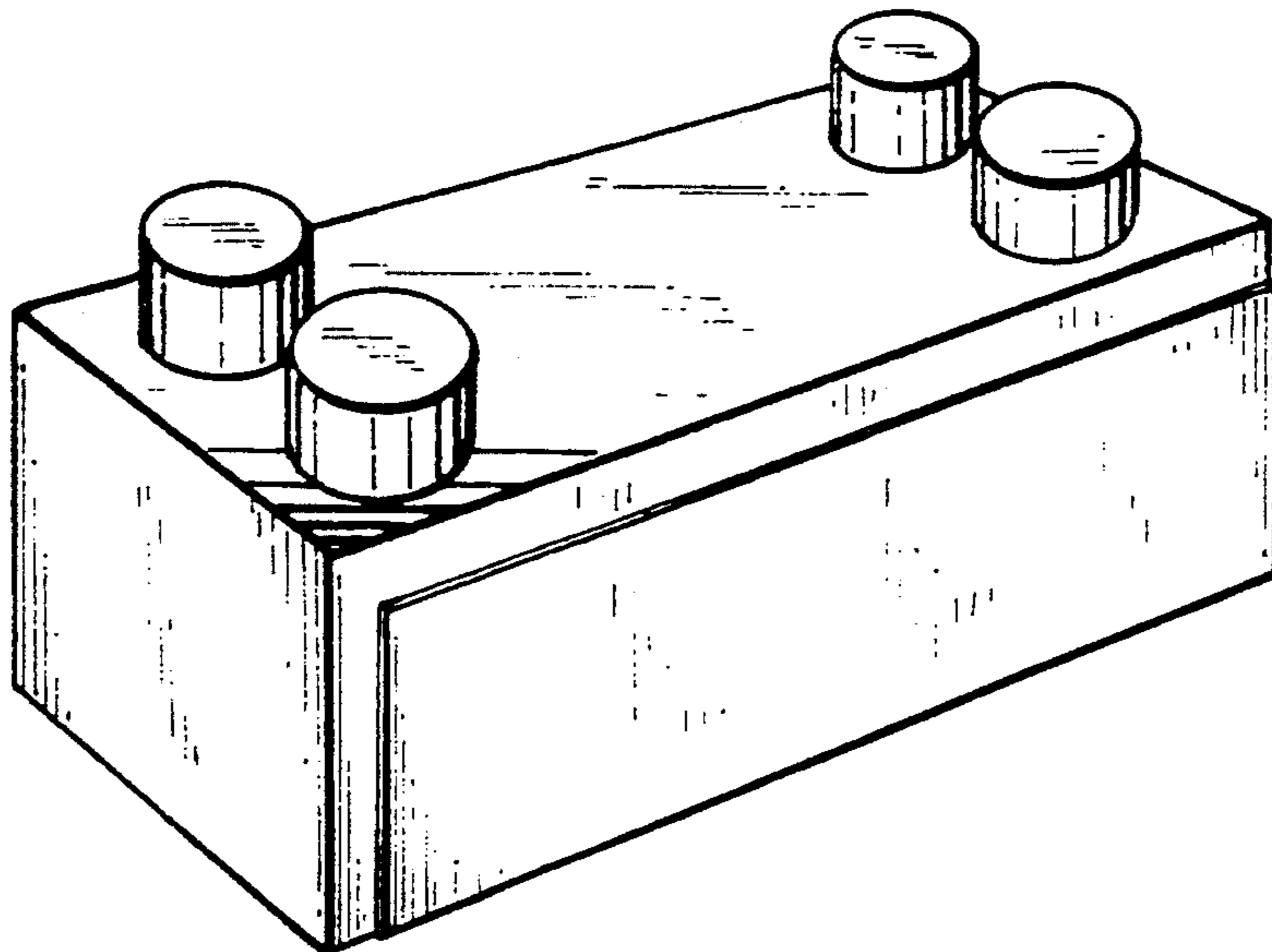
[56] **References Cited**

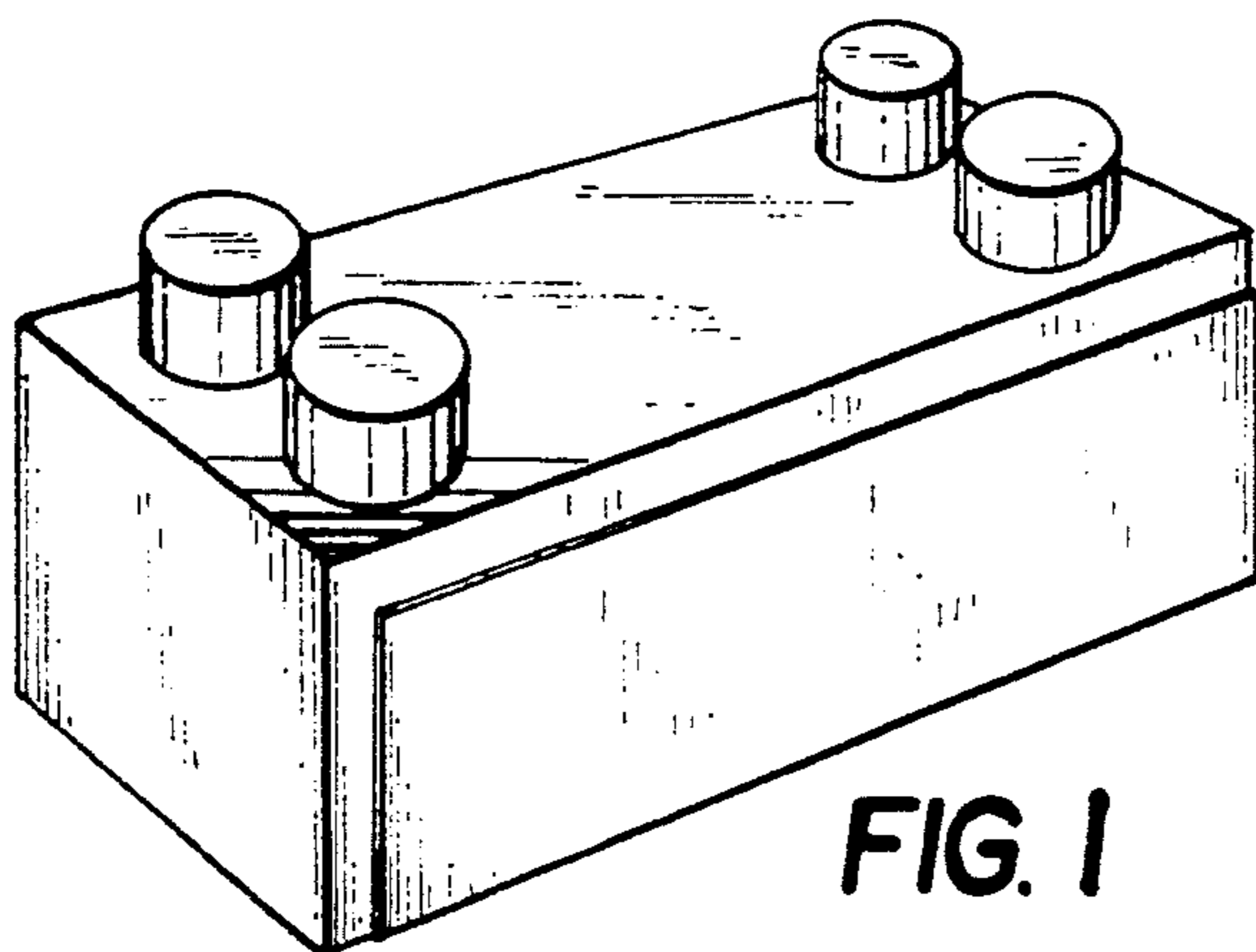
**U.S. PATENT DOCUMENTS**

D. 236,221 8/1975 McAllister ..... D21/108

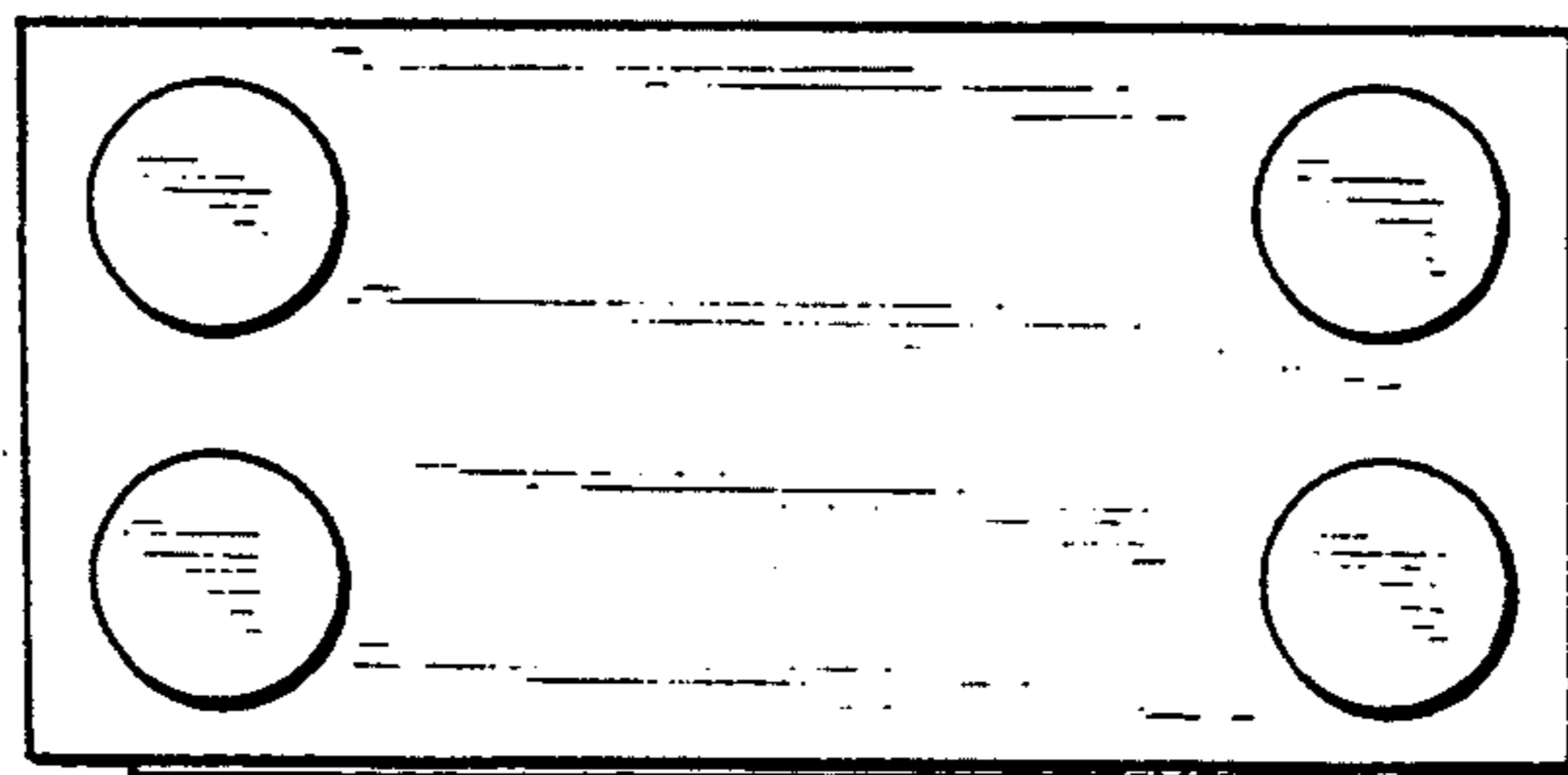
D. 285,813 9/1986 Takahashi ..... D21/108

D. 286,417 10/1986 Takahashi ..... D21/108

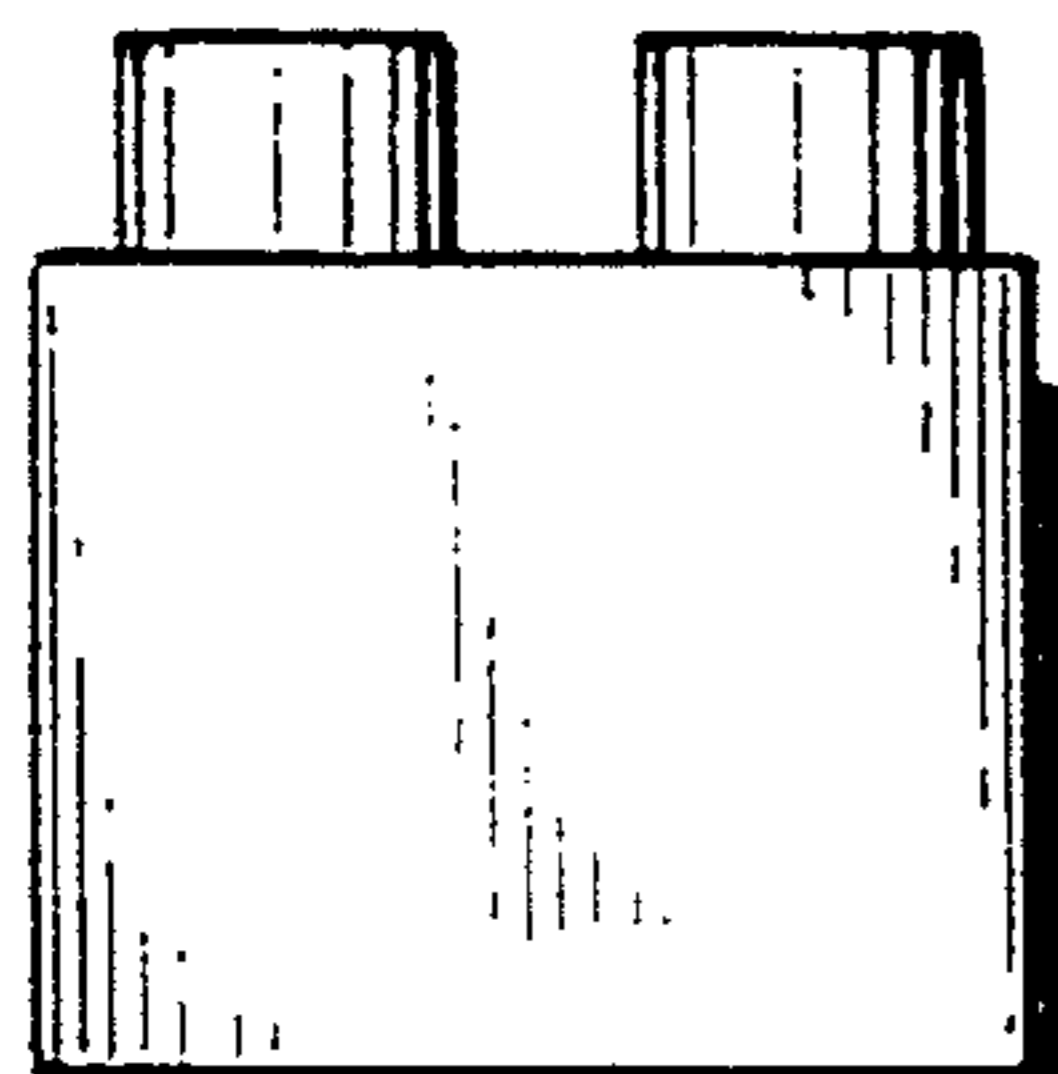




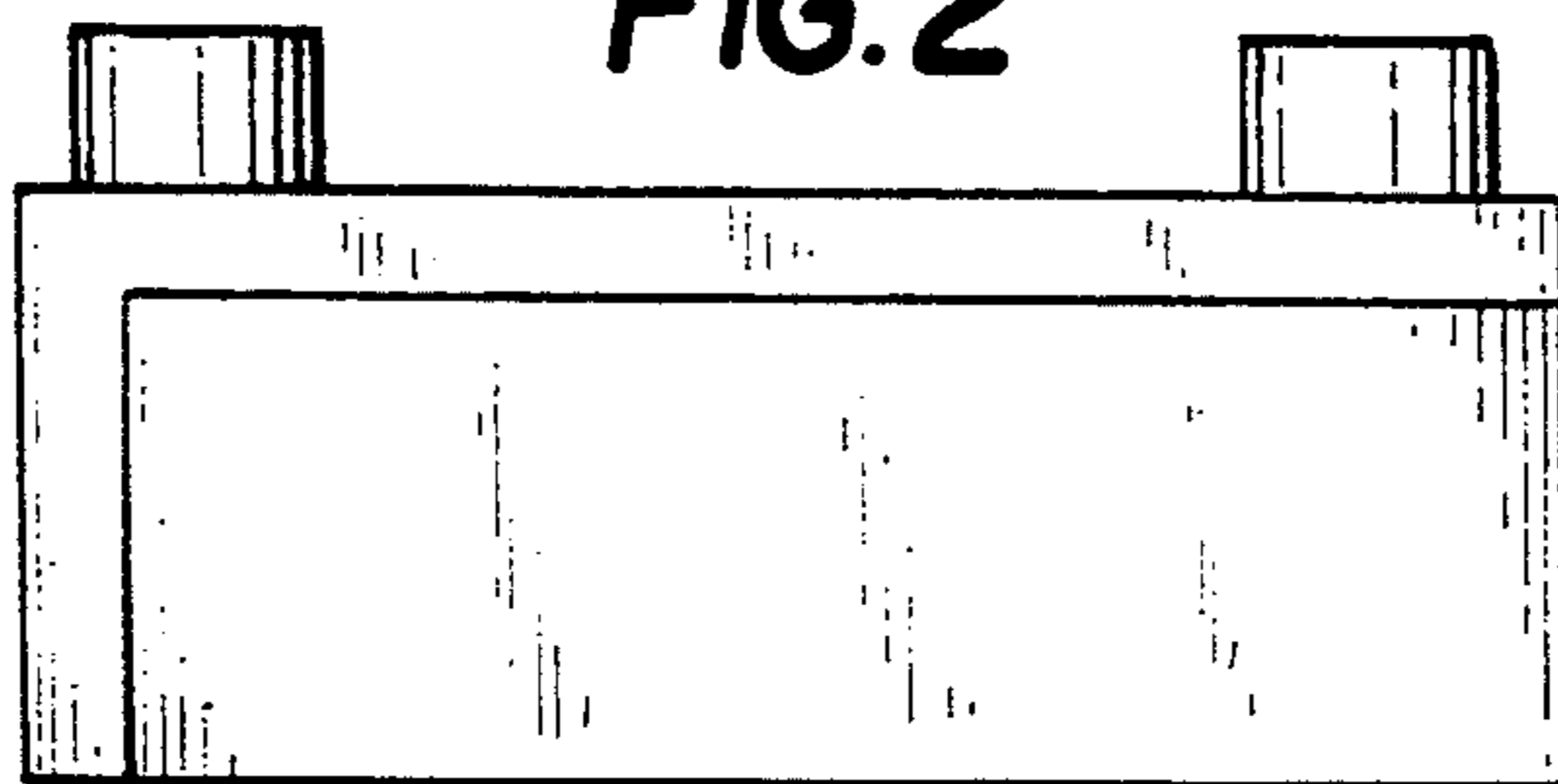
**FIG. 1**



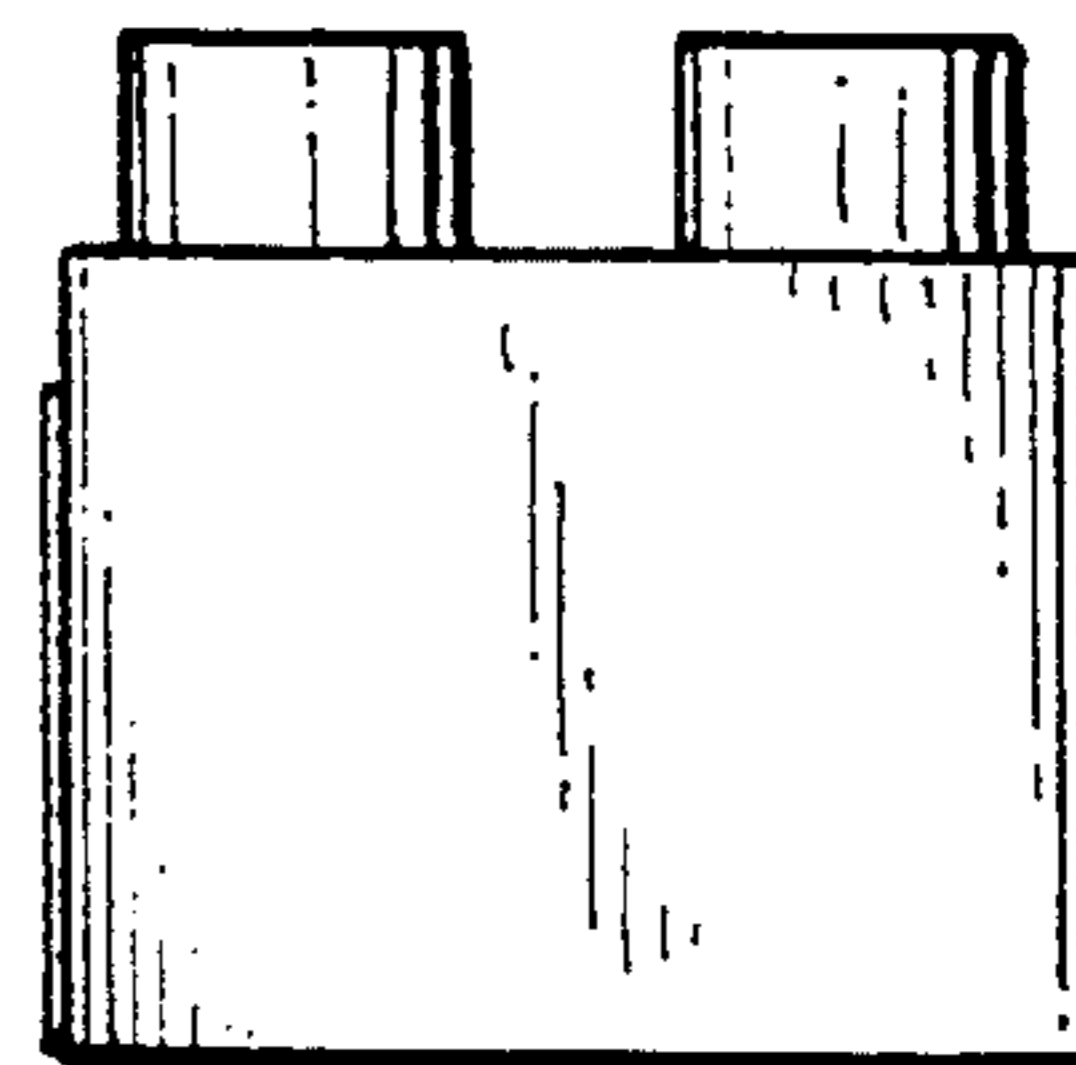
**FIG. 2**



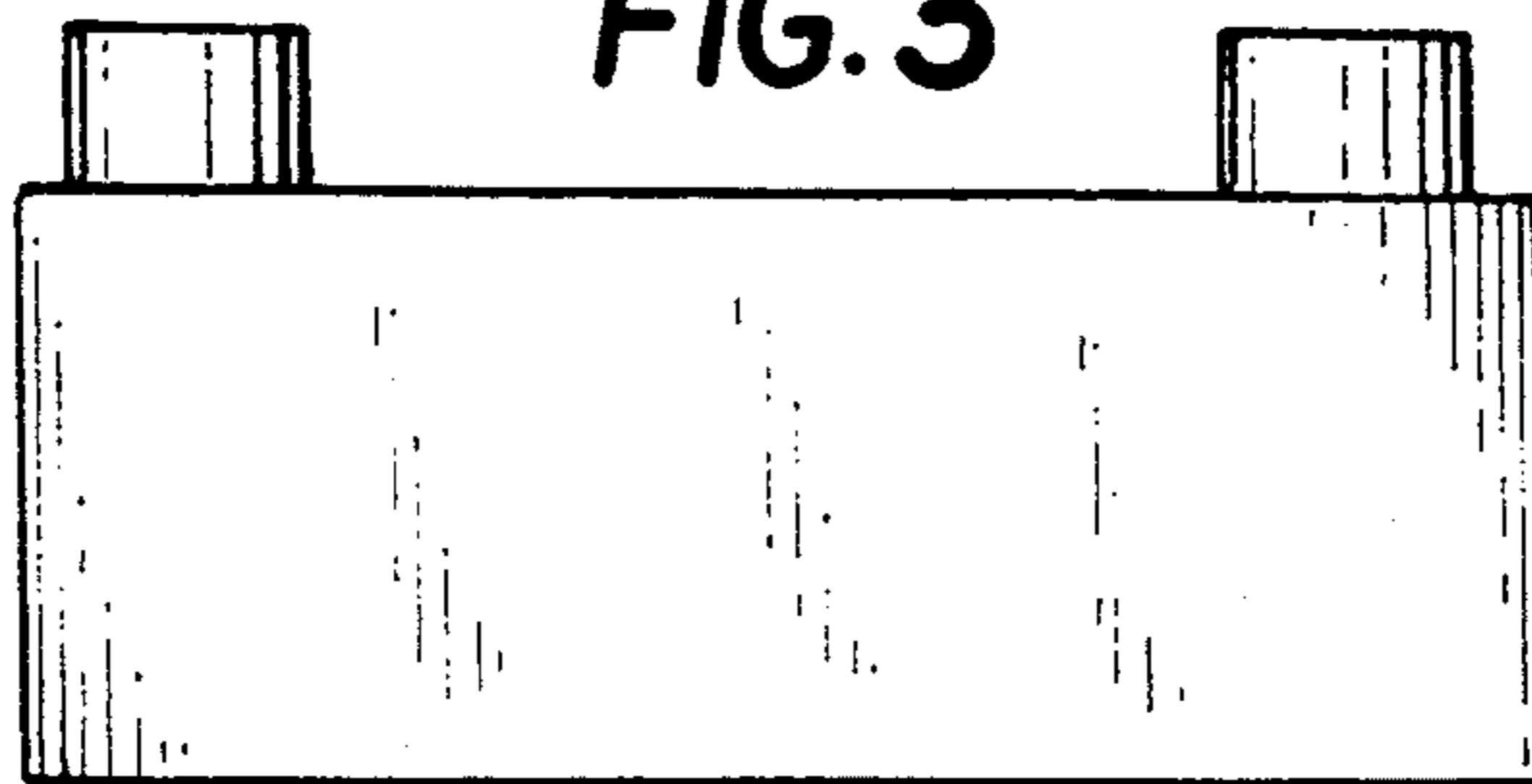
**FIG. 4**



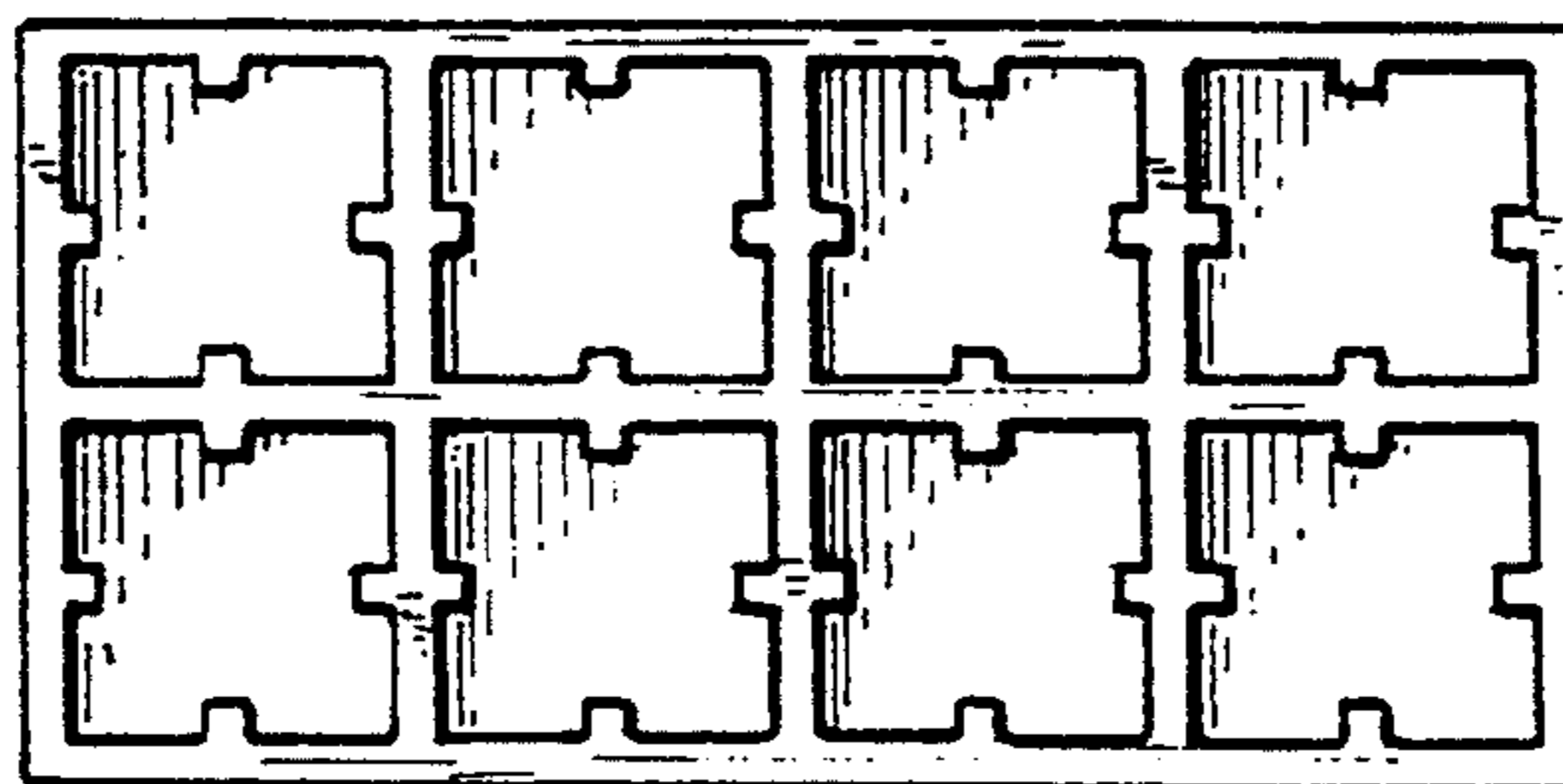
**FIG. 3**



**FIG. 5**



**FIG. 6**



**FIG. 7**