



US00D350821S

United States Patent [19]

[11] Patent Number: **Des. 350,821**

Wright et al.

[45] Date of Patent: **** Sep. 20, 1994**

[54] **ORAL INHALER**

[75] Inventors: **David J. Wright**, Epsom; **Timothy J. Grattan**, Weybridge, both of England

[73] Assignee: **SmithKline Beecham p.l.c.**, Brentford, United Kingdom

[**] Term: **14 Years**

[21] Appl. No.: **884,541**

[22] Filed: **May 15, 1992**

[30] **Foreign Application Priority Data**

Nov. 18, 1991 [GB] United Kingdom 2019036

[52] U.S. Cl. **D24/110**

[58] Field of Search 128/200.14, 200.23, 128/203.12, 203.15, 200.12; D24/110

[56] **References Cited**

U.S. PATENT DOCUMENTS

- D. 196,698 10/1963 Schwartzman D24/110
- D. 199,165 9/1964 Ryden D24/110
- D. 274,471 6/1984 Widmer D24/110
- 3,506,004 4/1970 Mann et al. 128/200.23
- 3,856,142 12/1974 Vessalo 128/200.23 X

FOREIGN PATENT DOCUMENTS

- 691548 5/1953 United Kingdom D24/23 X
- 2178965 2/1987 United Kingdom 128/203.15

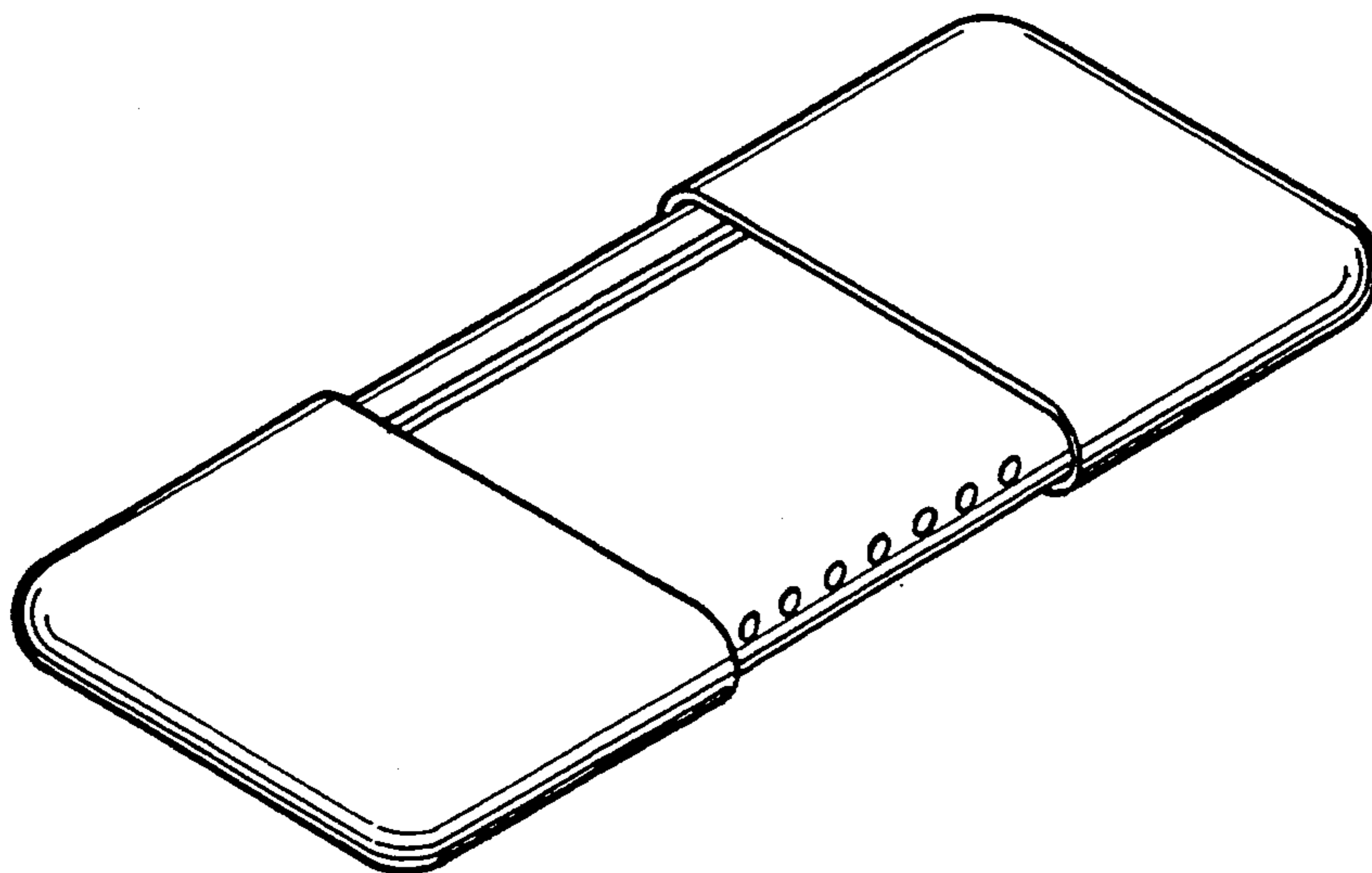
Primary Examiner—James R. Largen
Assistant Examiner—I. Simmons
Attorney, Agent, or Firm—Stuart R. Suter; Edward T. Lentz

[57] **CLAIM**

The ornamental design for an oral inhaler, as shown and described.

DESCRIPTION

FIG. 1 is a perspective view of an oral inhaler showing our new design;
 FIG. 2 is a top plan view thereof, the bottom plan view being identical thereto;
 FIG. 3 is a front elevational view thereof, the rear elevational view being identical thereto;
 FIG. 4 is an end elevational view thereof, the opposite end elevational view being identical thereto;
 FIG. 5 is a top perspective view thereof in open position;
 FIG. 6 is a top plan view thereof;
 FIG. 7 is a front elevational view thereof;
 FIG. 8 is a bottom perspective view thereof;
 FIG. 9 is a bottom plan view thereof; and,
 FIG. 10 is a rear elevational view thereof.



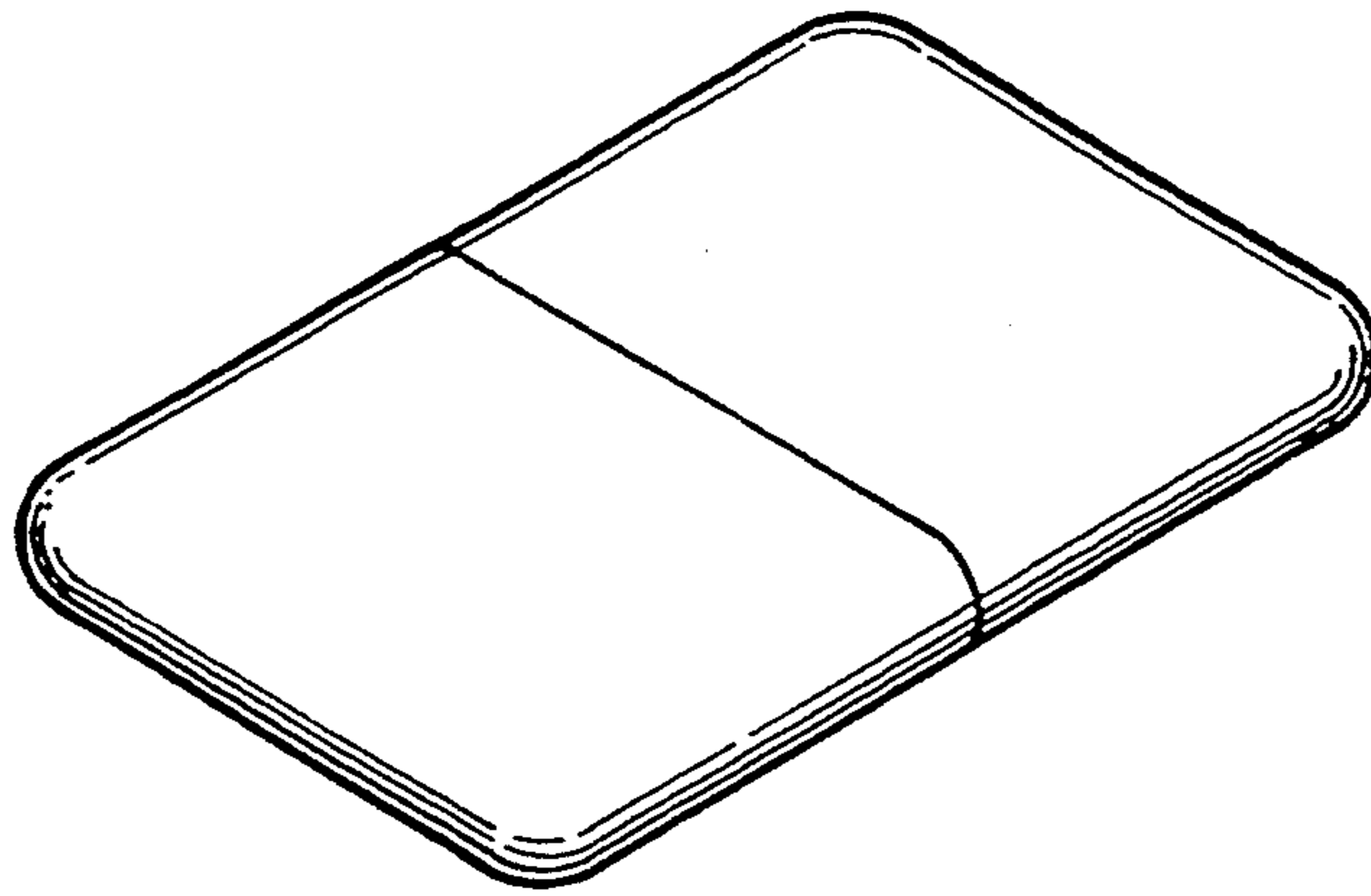


Fig.1

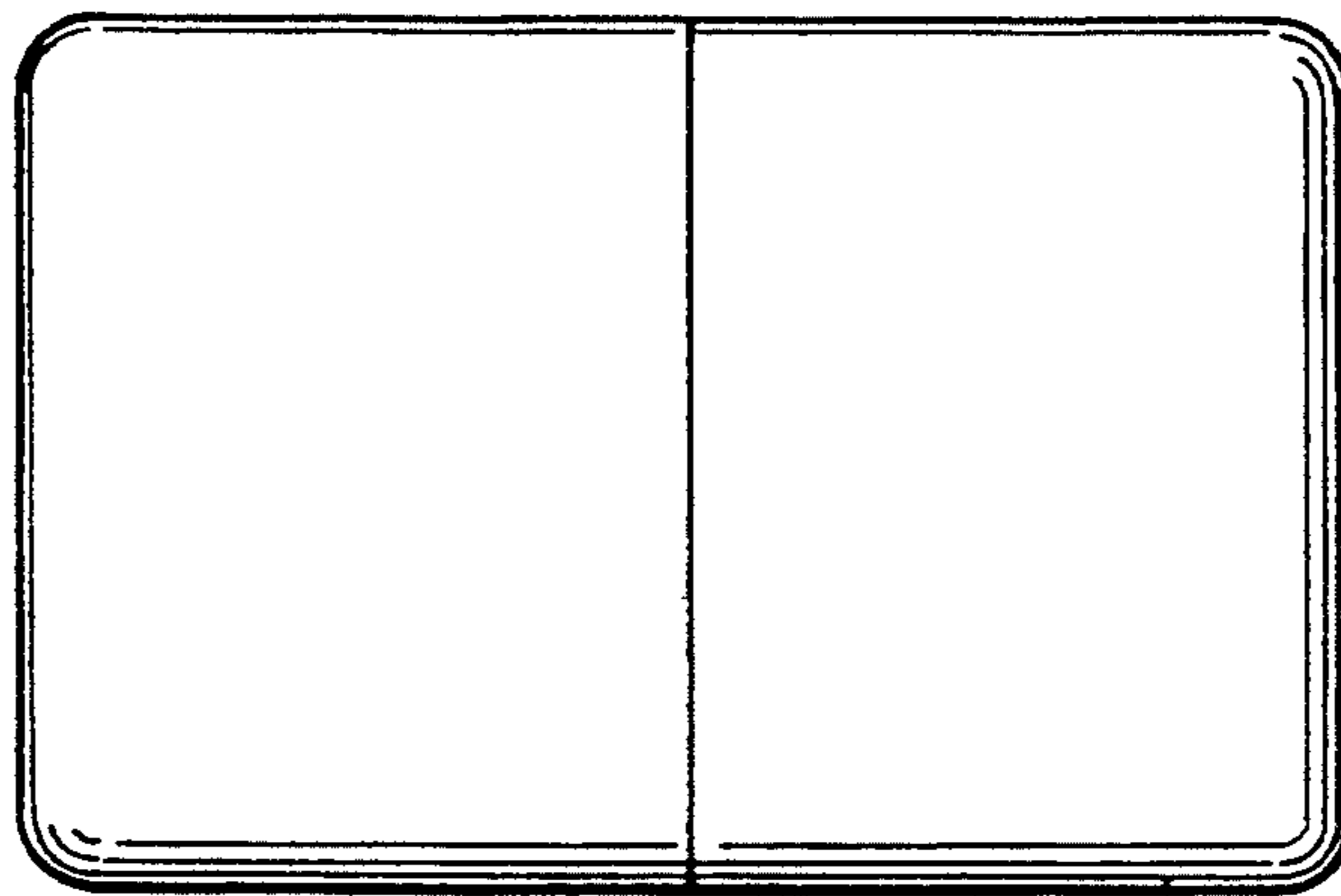


Fig.2



Fig.3

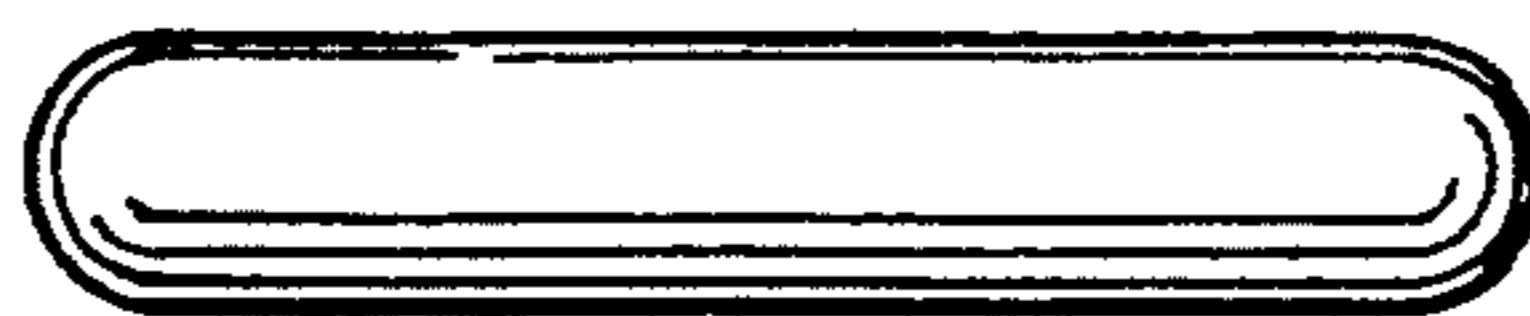


Fig.4

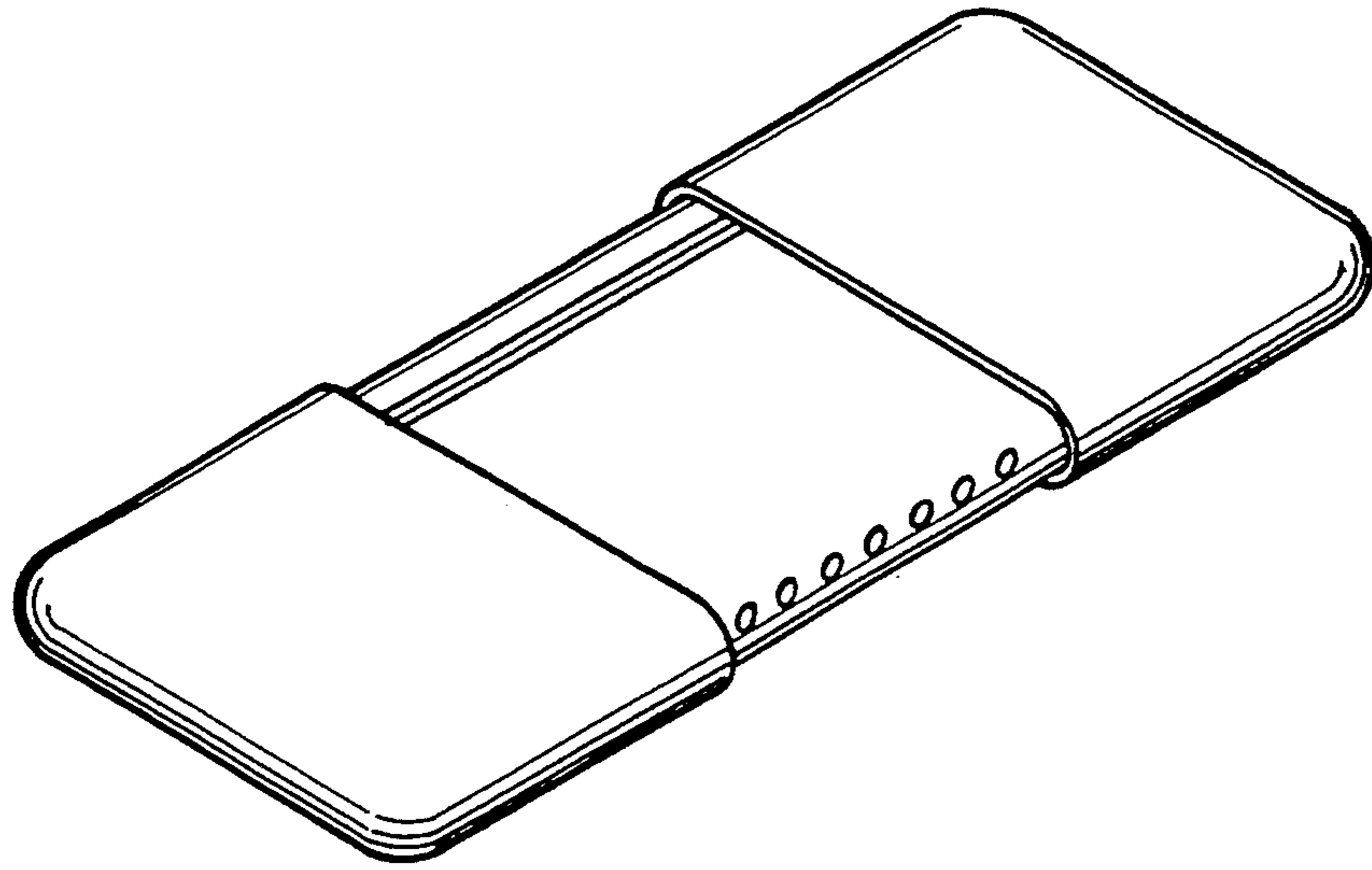


Fig. 5

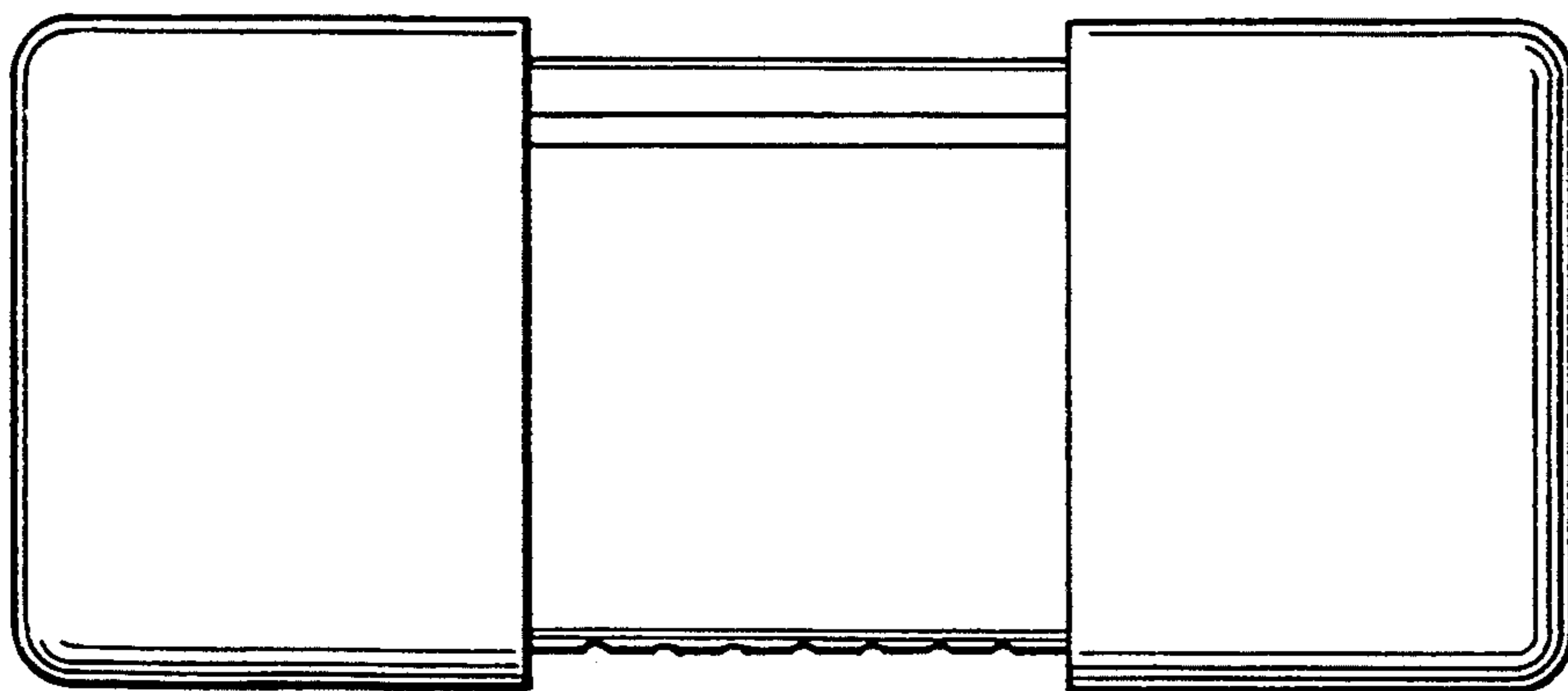


Fig. 6



Fig. 7

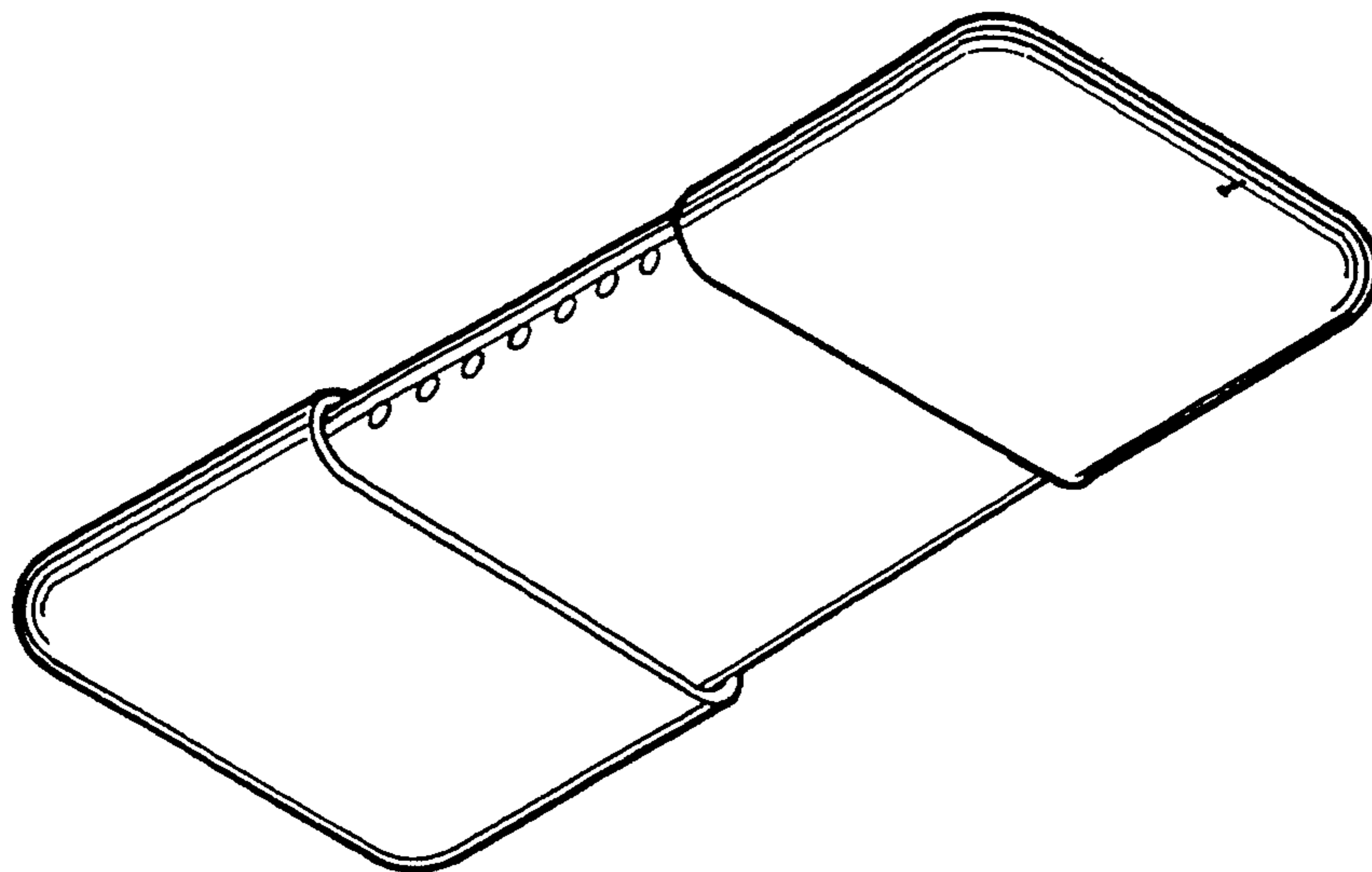


Fig. 8

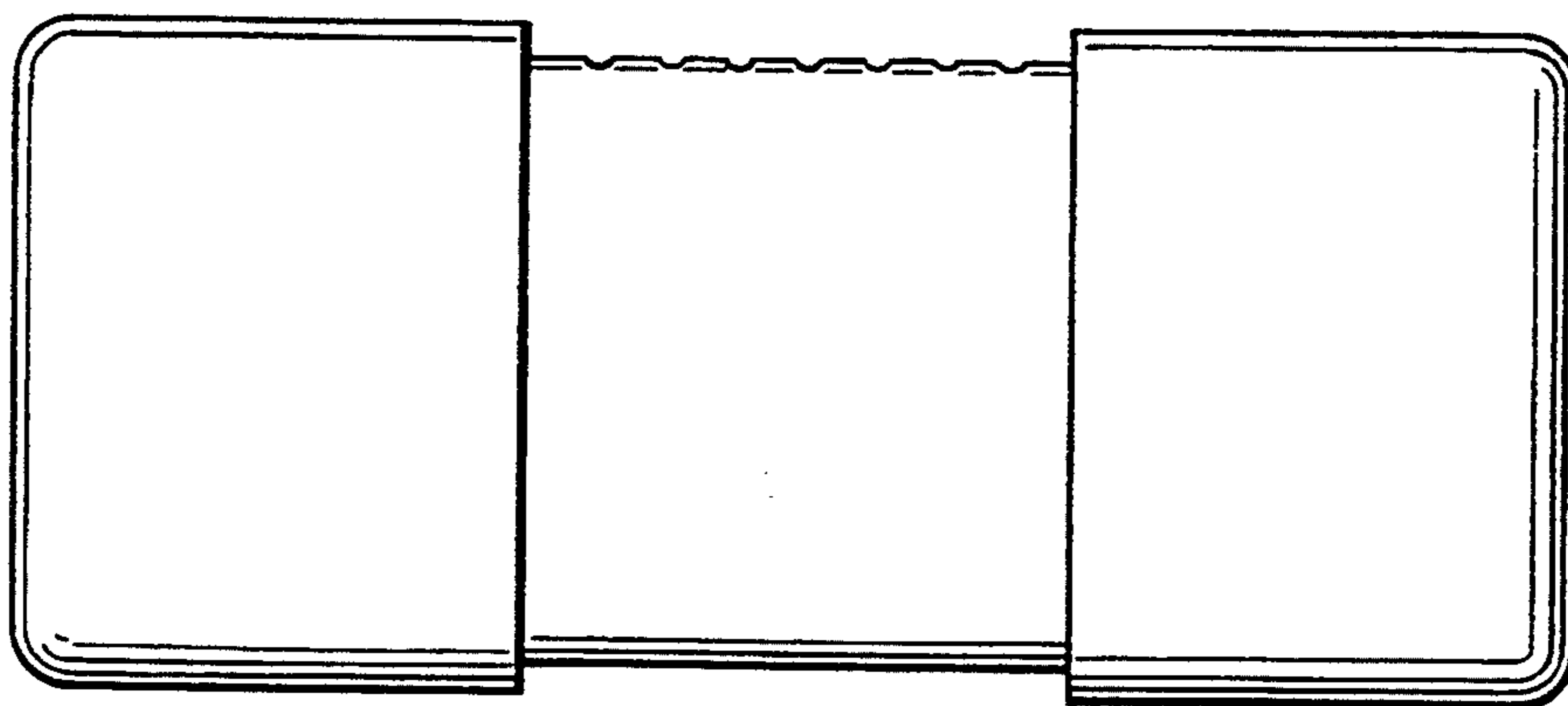


Fig. 9

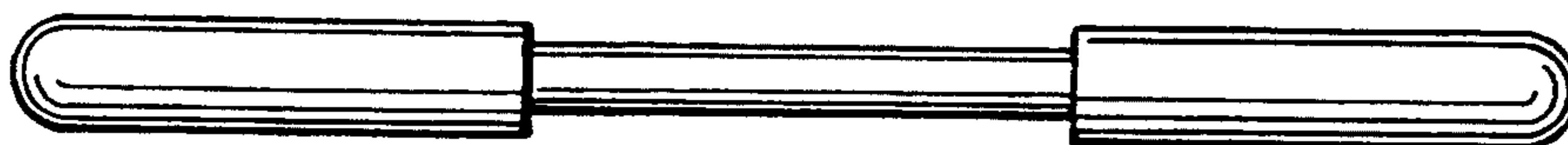


Fig. 10