



US00D350819S

# United States Patent [19]

[11] Patent Number: **Des. 350,819**

Laroue

[45] Date of Patent: **\*\* Sep. 20, 1994**

[54] **TOILET TRAINING SEAT FOR INFANTS**

[76] Inventor: **Michael C. Laroue**, 931 S. Ford Blvd., Los Angeles, Calif. 90022

[\*\*] Term: **14 Years**

[21] Appl. No.: **9,682**

[22] Filed: **Jun. 21, 1993**

[52] U.S. Cl. .... **D23/296**

[58] Field of Search ..... 4/234, 235, 237, 239, 4/254; D23/295-313

1,004,458	9/1911	Morton .	
1,085,468	1/1914	Nixon .	
1,737,163	11/1929	Keppinger .....	4/239
2,607,926	8/1952	DePuy .	
2,992,439	7/1961	Van Tassol .....	4/254 X
4,205,404	6/1980	Levins .....	4/254
4,534,072	8/1985	Lipski .....	4/237
4,777,672	10/1988	Gebhard et al. ....	4/449

*Primary Examiner*—James R. Largen

## [57] CLAIM

The ornamental design for a toilet training seat for infants, as shown.

## DESCRIPTION

FIG. 1 is a perspective view taken from the top, front and right side of a toilet training seat for infants showing my new design;

FIG. 2 is a perspective view taken from the bottom, rear and left side thereof;

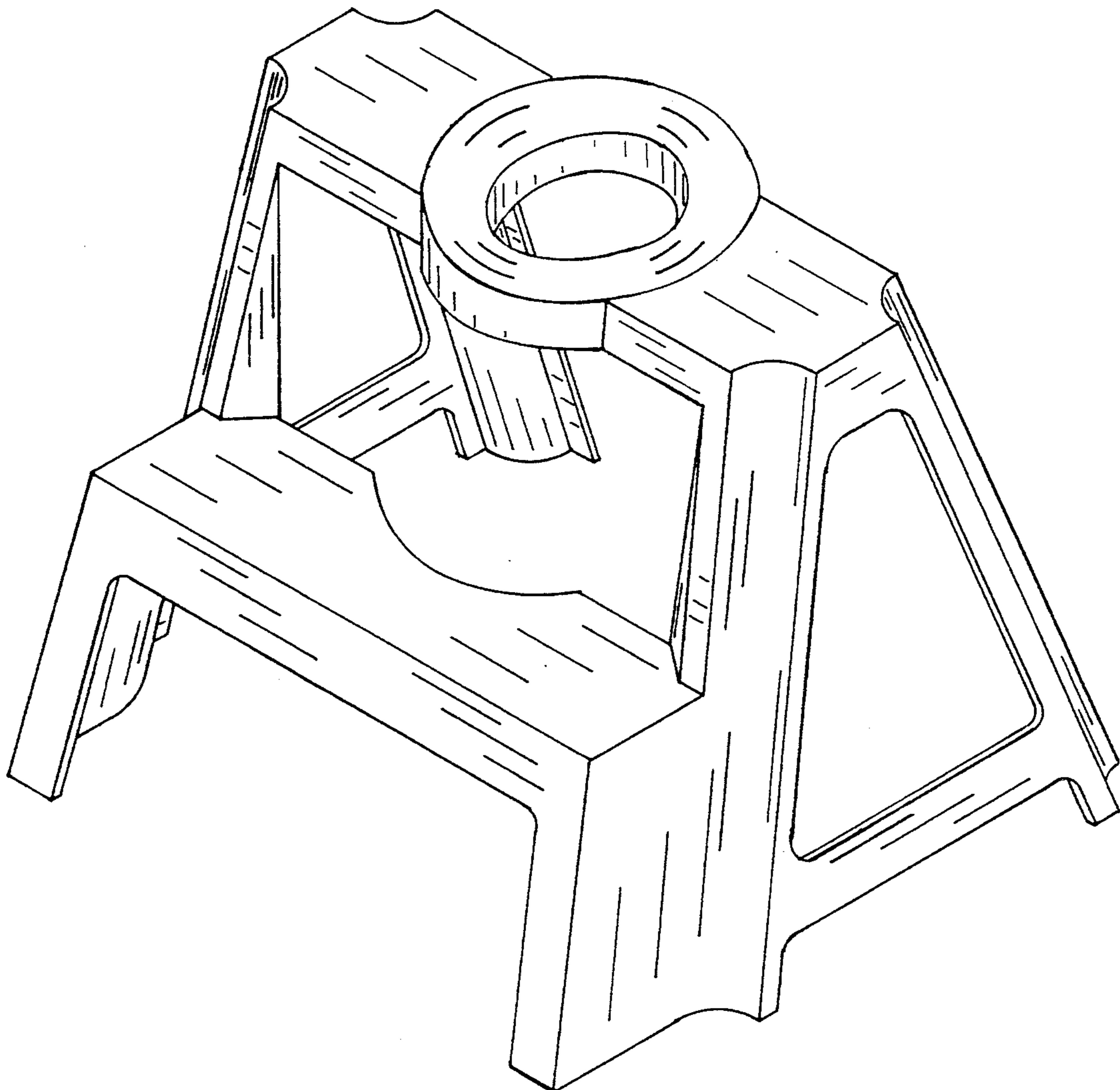
FIG. 3 is a rear elevational view thereof; and,

FIG. 4 is a left side elevational view thereof.

## [56] References Cited

### U.S. PATENT DOCUMENTS

D. 59,126	9/1921	Morton .....	D23/296
D. 231,530	4/1974	Kullenbuck .....	D23/296
D. 284,023	5/1986	Lipski .....	D23/296
D. 307,629	5/1990	Takahashi et al. ....	D23/296
D. 309,775	8/1990	Kenny .....	D23/296
D. 310,869	9/1990	Sedlack .....	D23/296
D. 324,906	3/1992	Barnett .....	D23/296



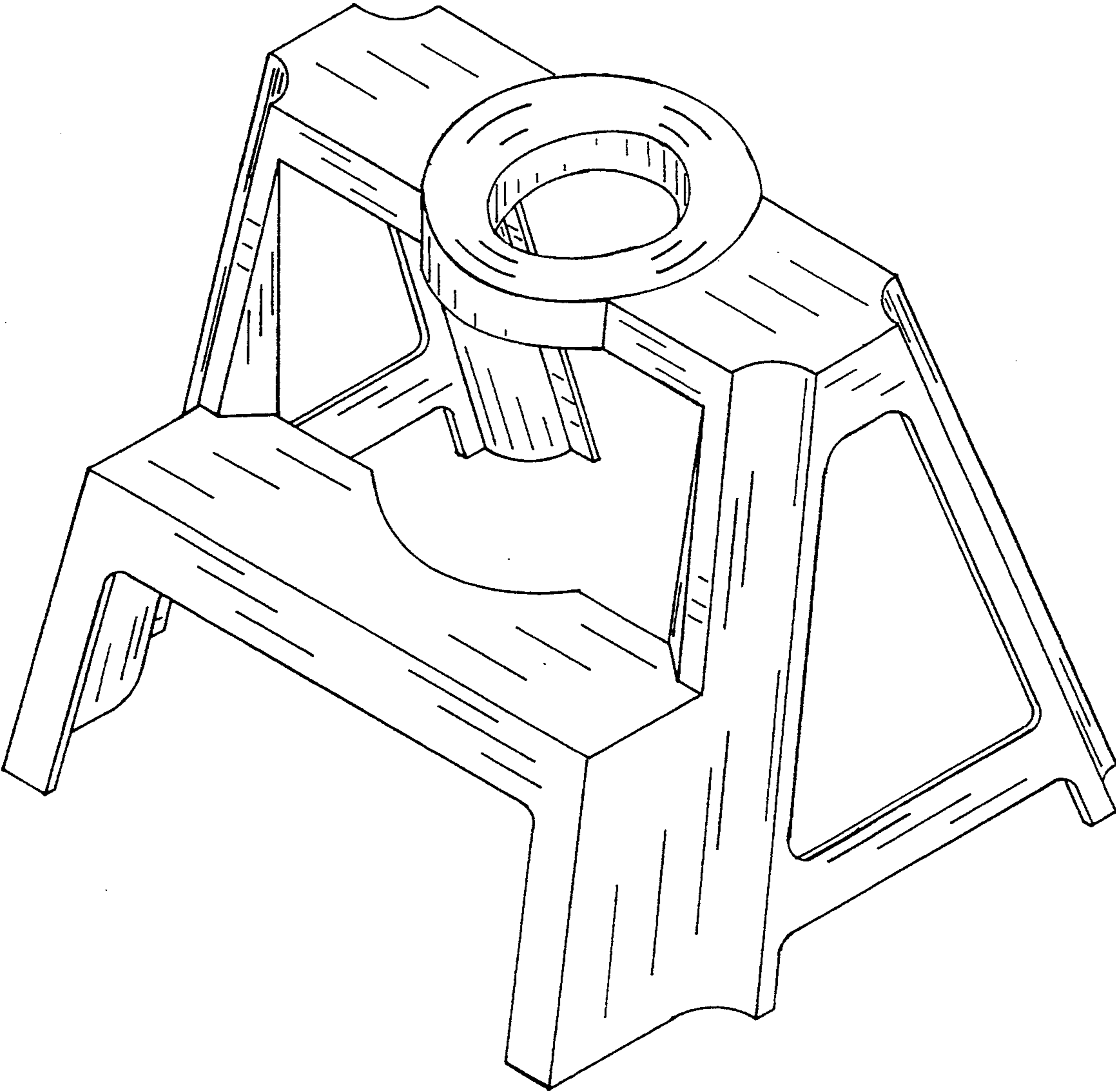


Fig. 1

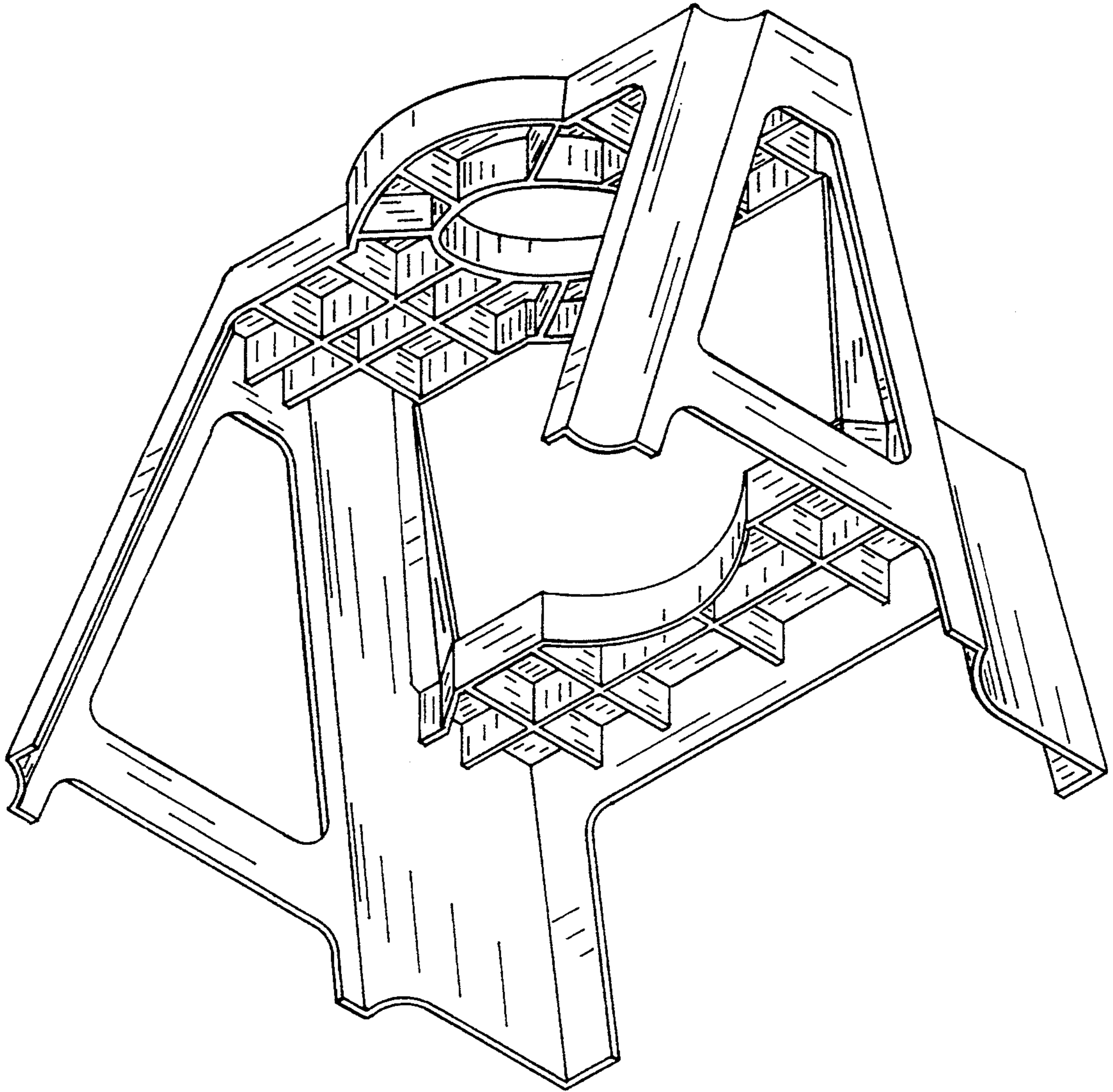


Fig. 2

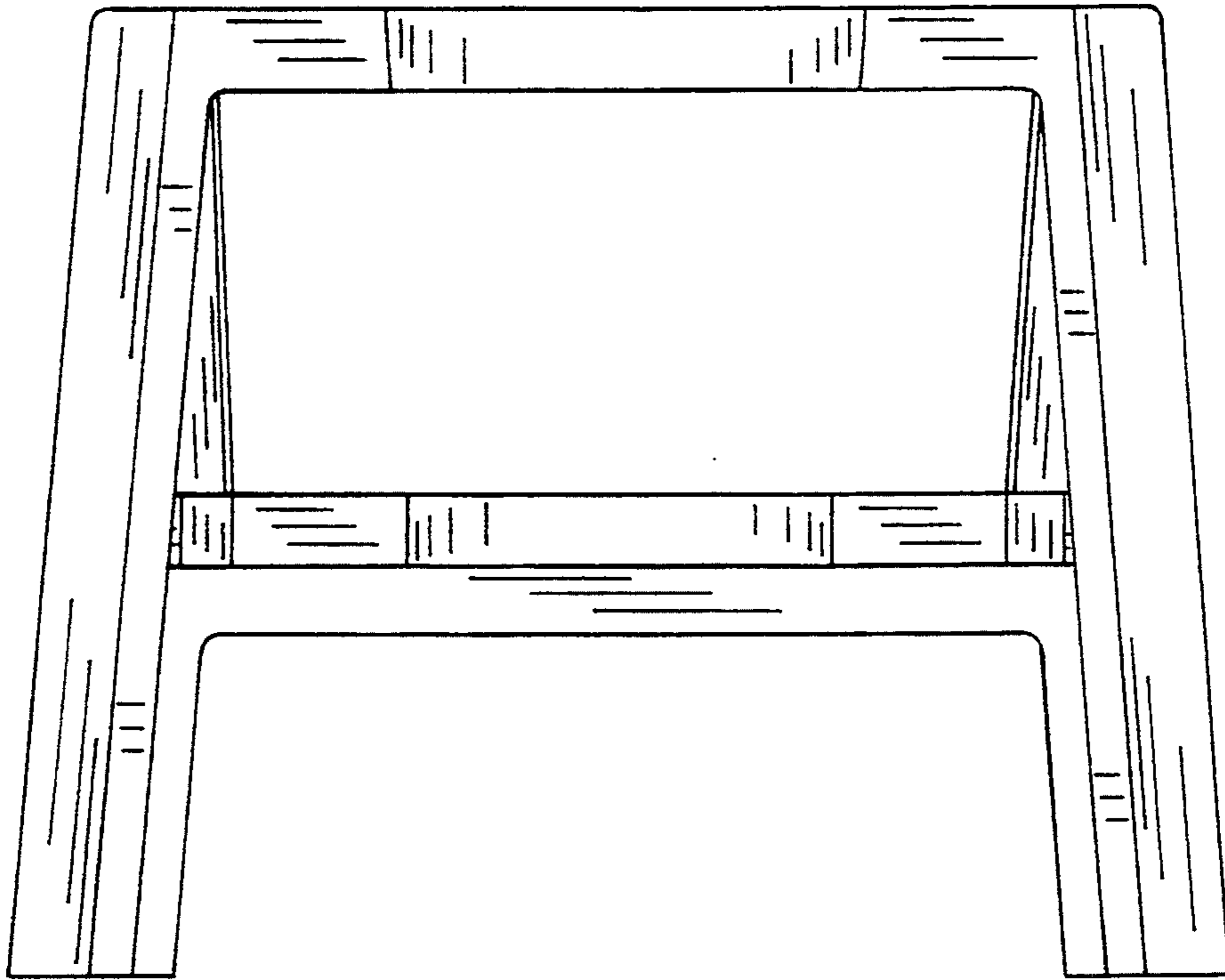


Fig. 3

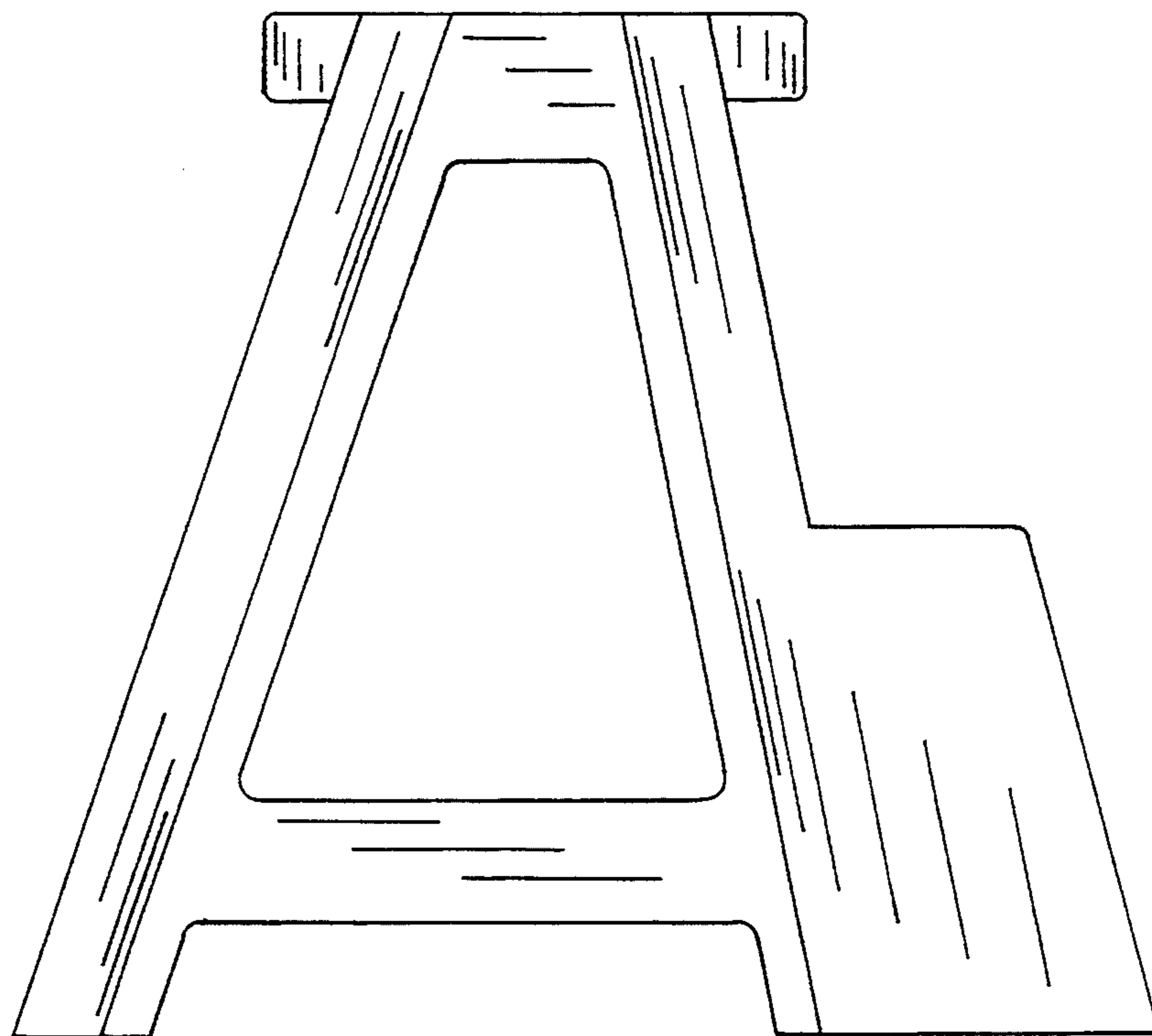


Fig. 4