



US00D350817S

United States Patent [19]
Rathburn

[11] **Patent Number: Des. 350,817**
[45] **Date of Patent: ** Sep. 20, 1994**

[54] **PORTABLE BATHING TUB FOR INVALIDS**

4,305,165 12/1981 Woll, Jr. 4/538 X
4,809,368 3/1989 Johansson 4/540

[76] Inventor: **Alyce G. Rathburn**, 343 Unity Ave.,
No. 2, Athol, Mass. 01331-1543

Primary Examiner—A. Hugo Word
Assistant Examiner—Eric M. Watterson
Attorney, Agent, or Firm—Rhodes & Ascolillo

[**] Term: **14 Years**

[21] Appl. No.: **3,089**

[57] **CLAIM**

[22] Filed: **Dec. 28, 1992**

The ornamental design for a portable bathing tub for
invalids, as shown.

[52] U.S. Cl. **D23/277**

[58] Field of Search 4/538, 540, 556, 580,
4/585, 562.1; D12/131; D23/277

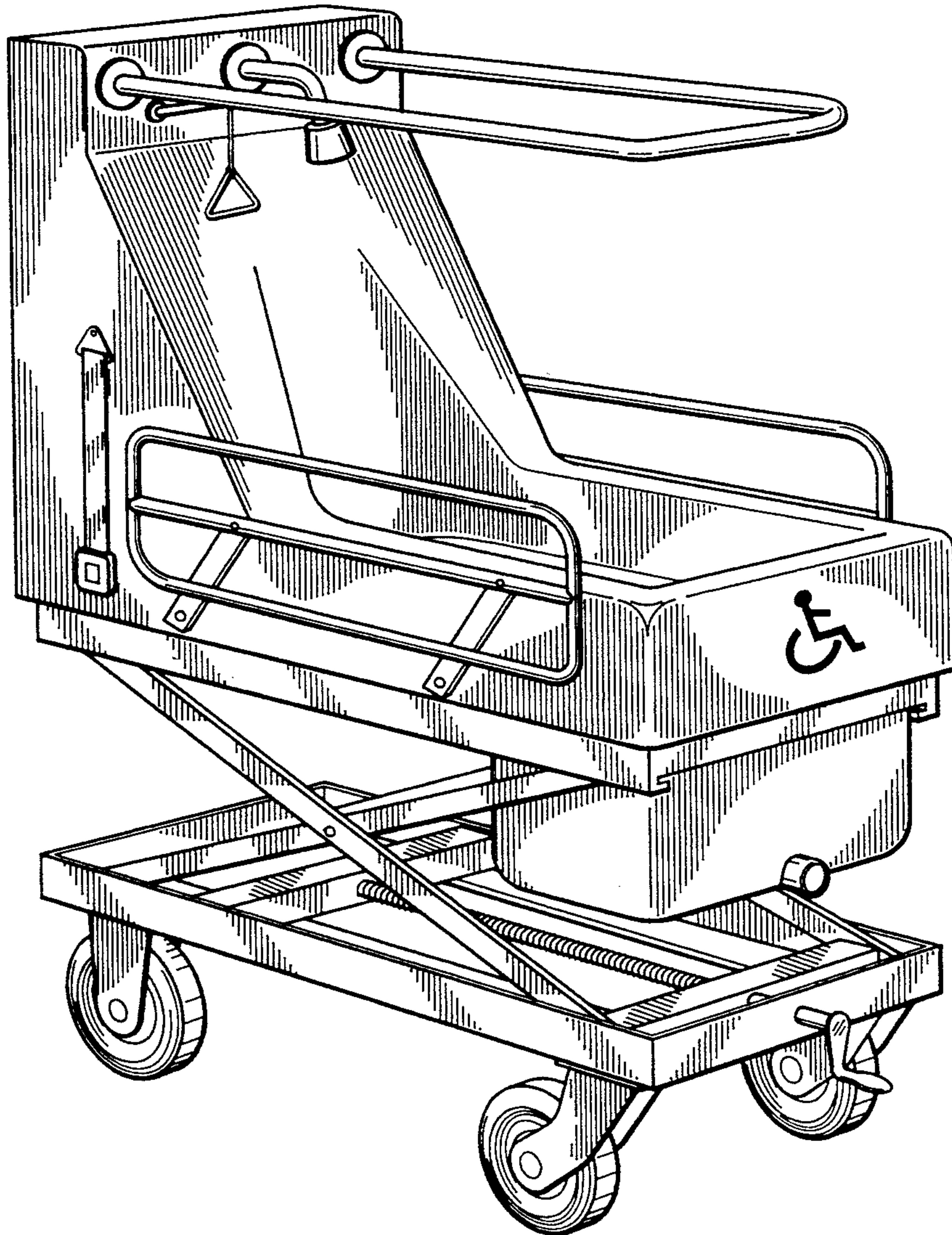
DESCRIPTION

[56] **References Cited**

U.S. PATENT DOCUMENTS

D. 273,700 5/1984 Parker 4/540 X
4,034,424 7/1977 Budlong 4/173 R
4,167,793 9/1979 Vago 4/562.1
4,207,629 6/1980 Kagawa 4/540

FIG. 1 is a perspective view of a portable bathing tub
for invalids showing my new design;
FIG. 2 is a rear view;
FIG. 3 is a left side view;
FIG. 4 is a front view;
FIG. 5 is a right side view;
FIG. 6 is a bottom view; and,
FIG. 7 is a top view.



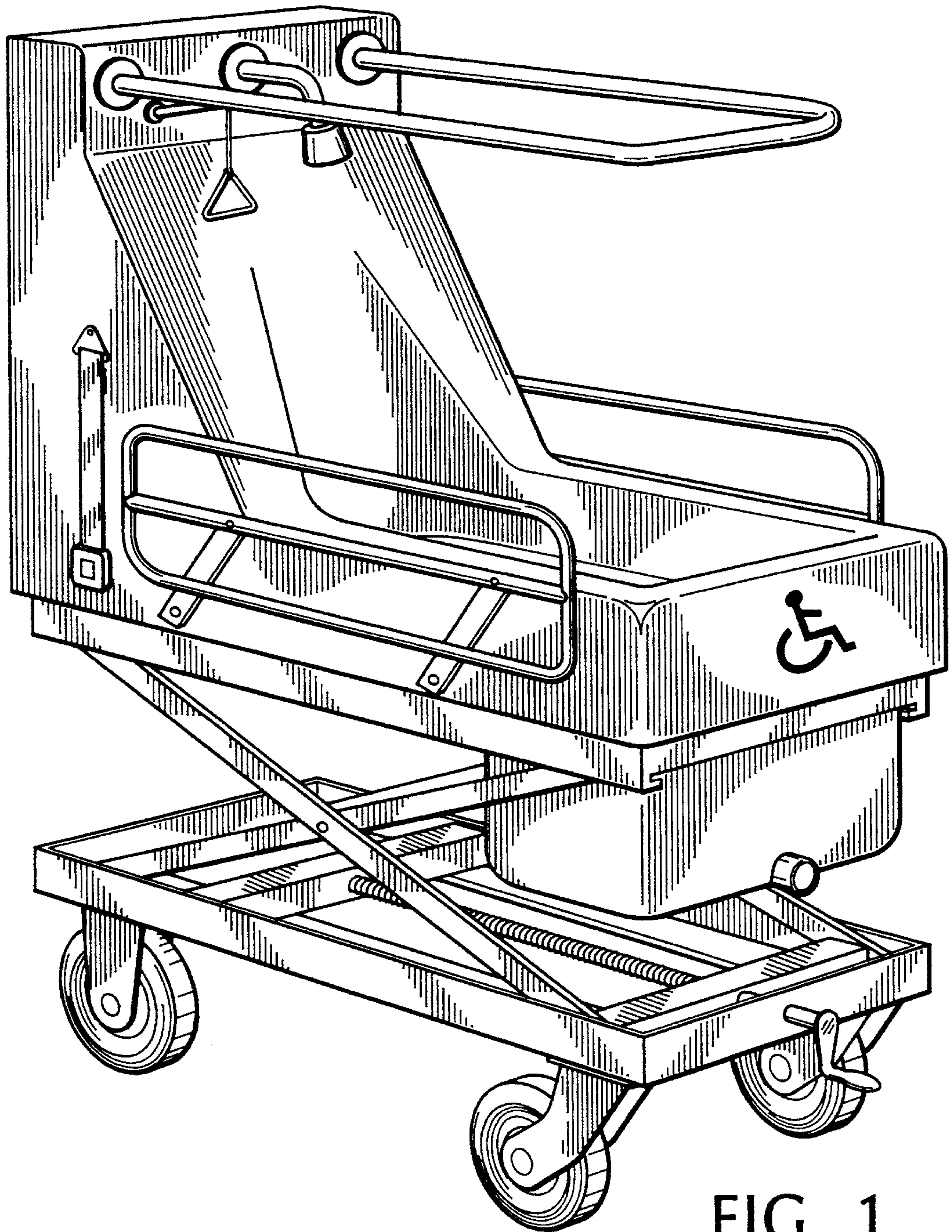


FIG. 1

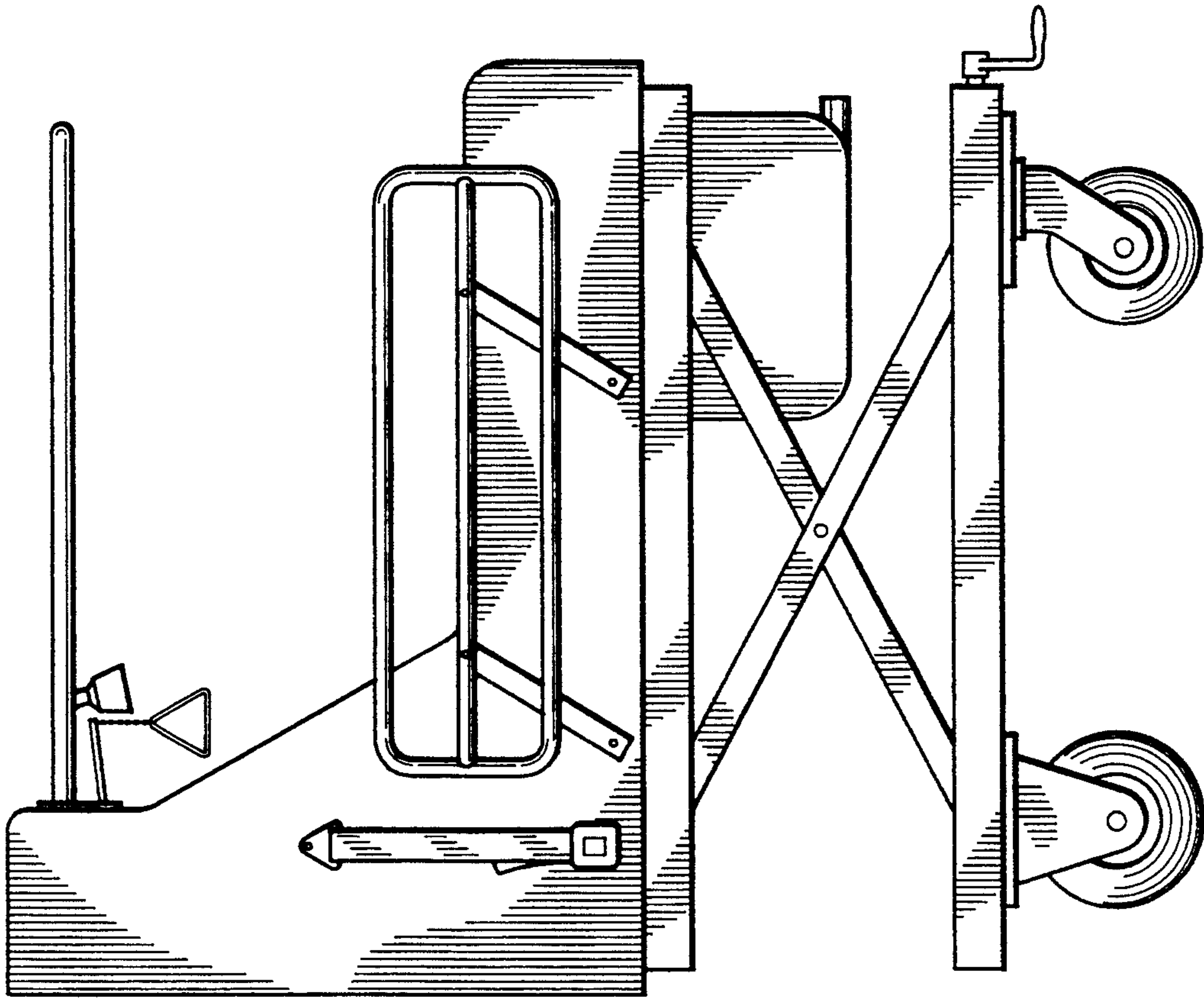


FIG. 3

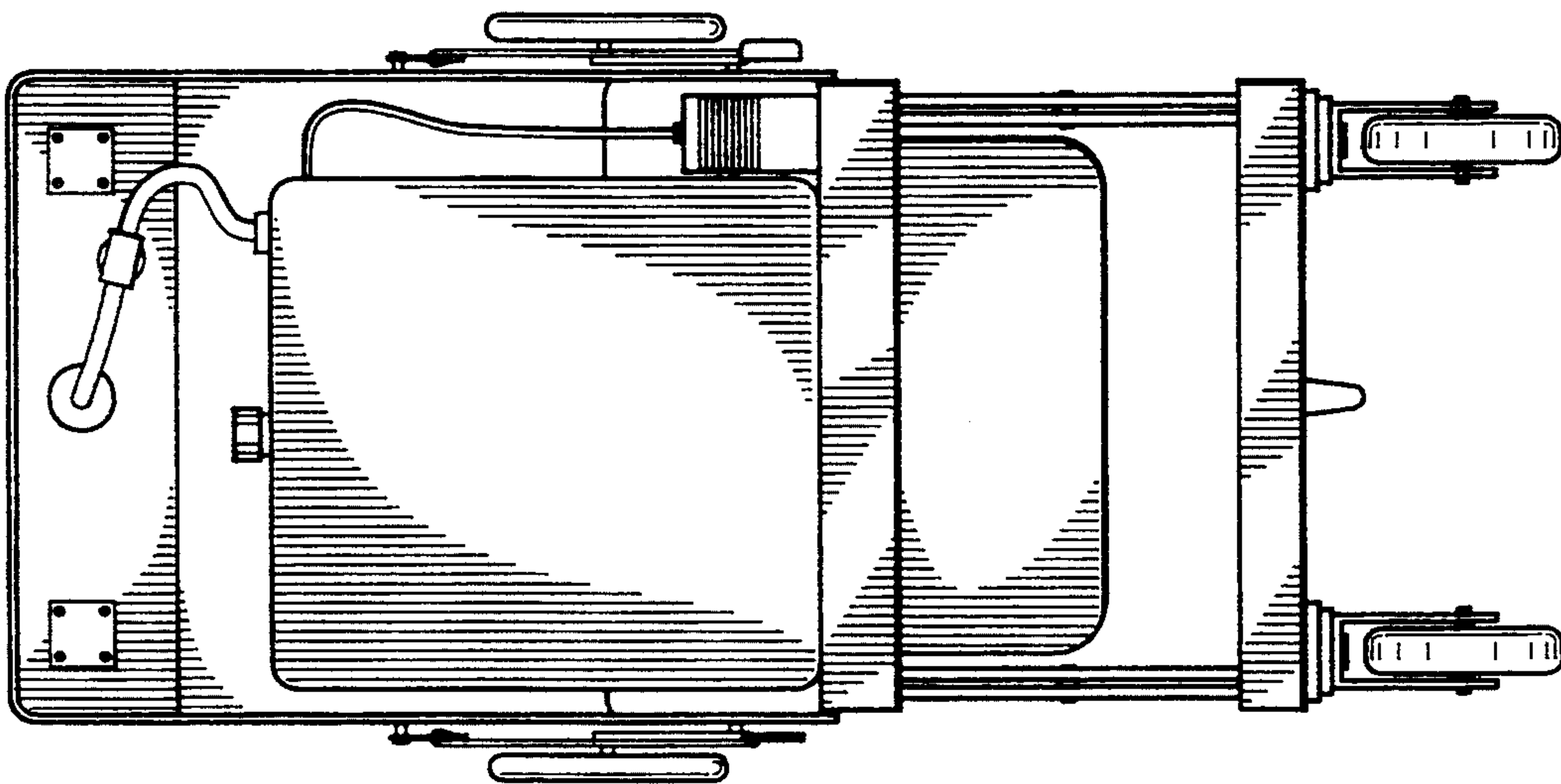


FIG. 2

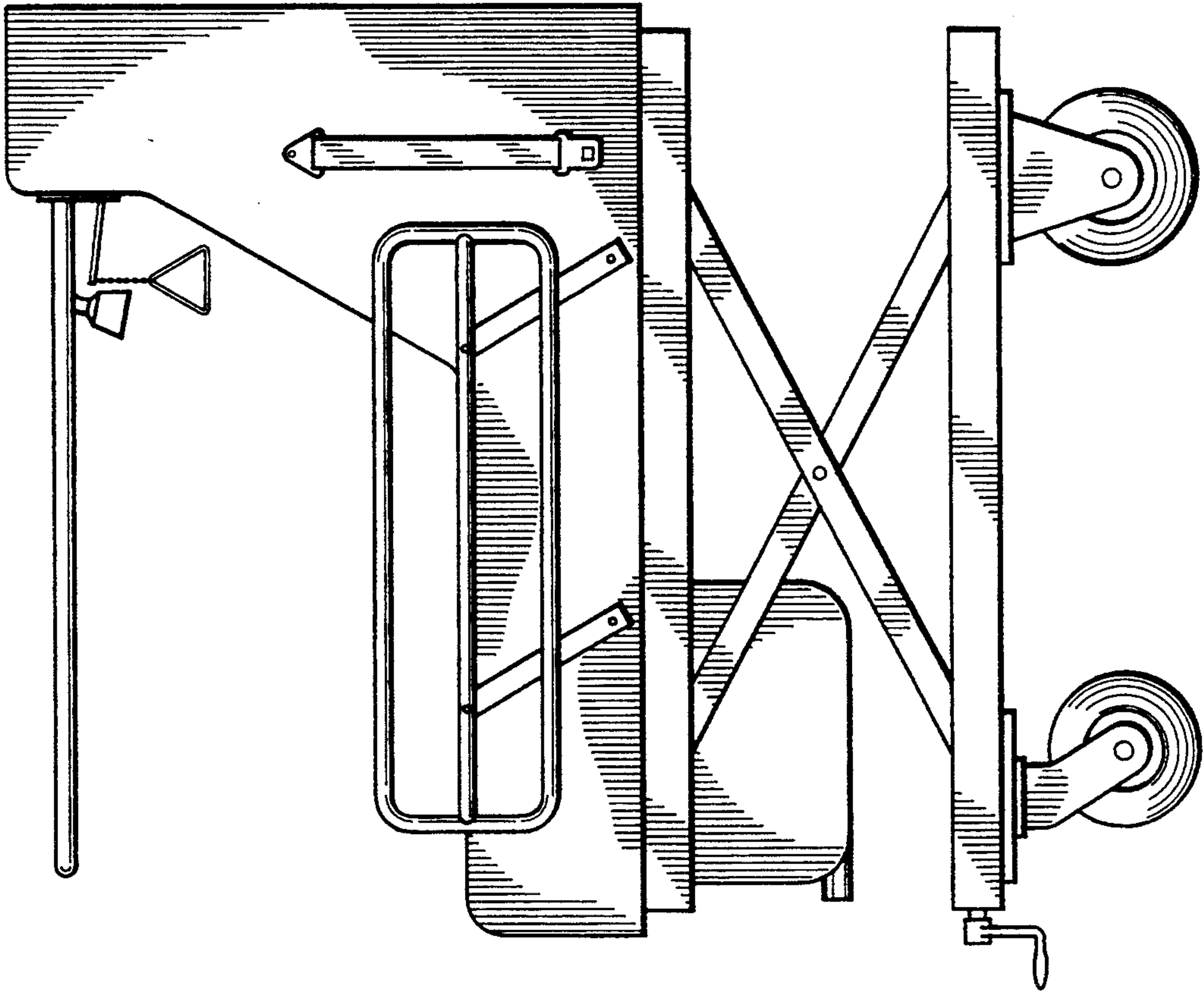


FIG. 5

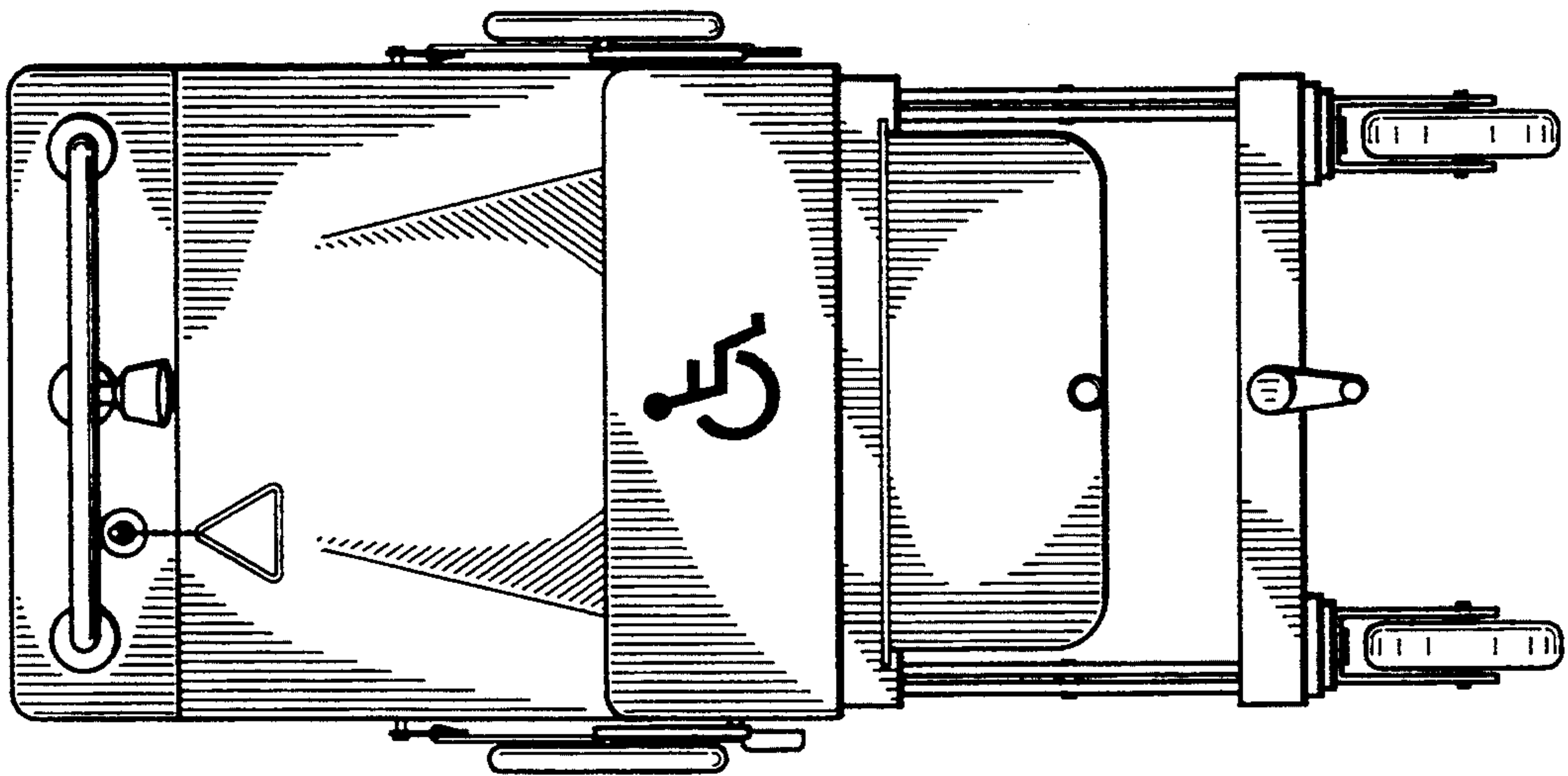


FIG. 4

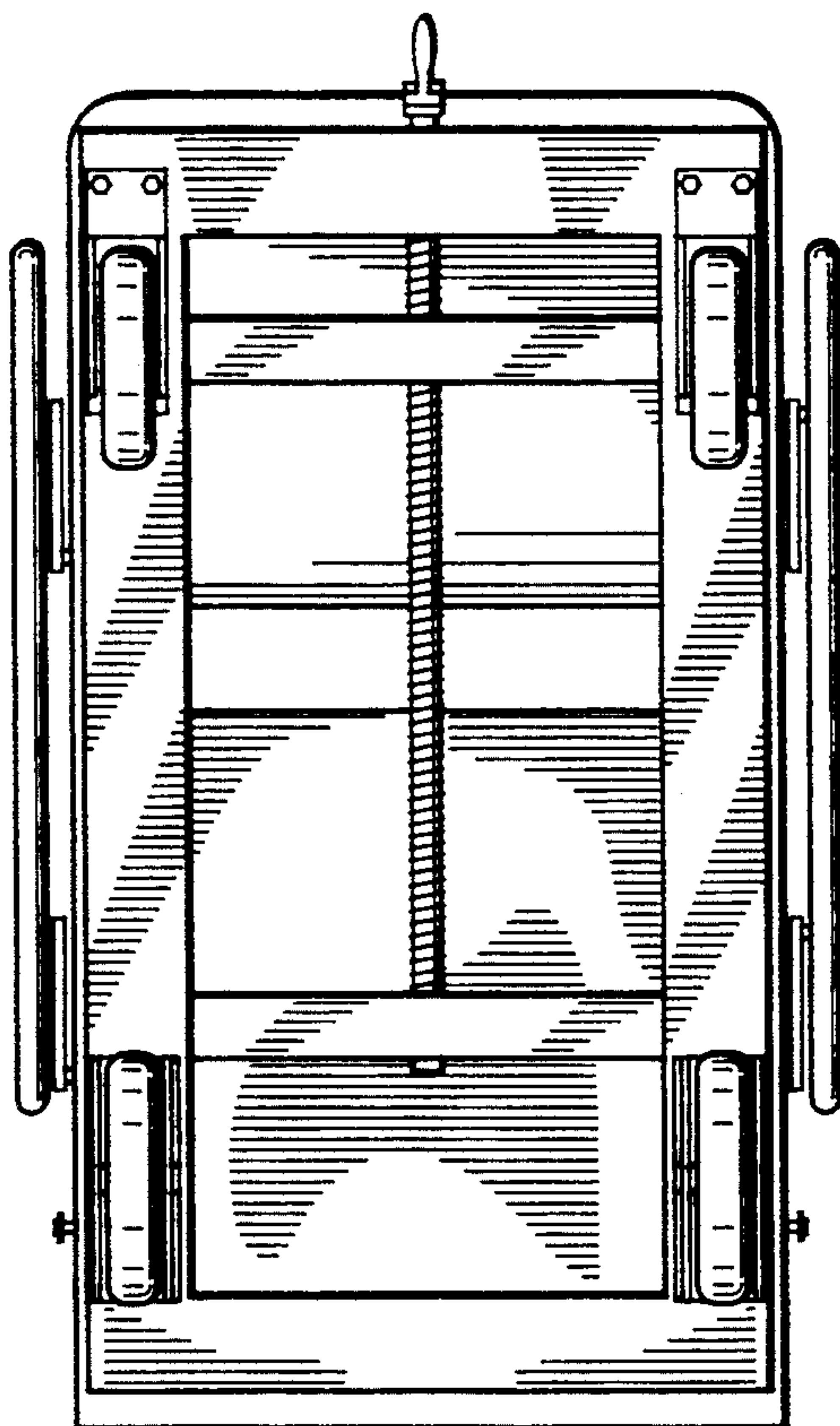


FIG. 6

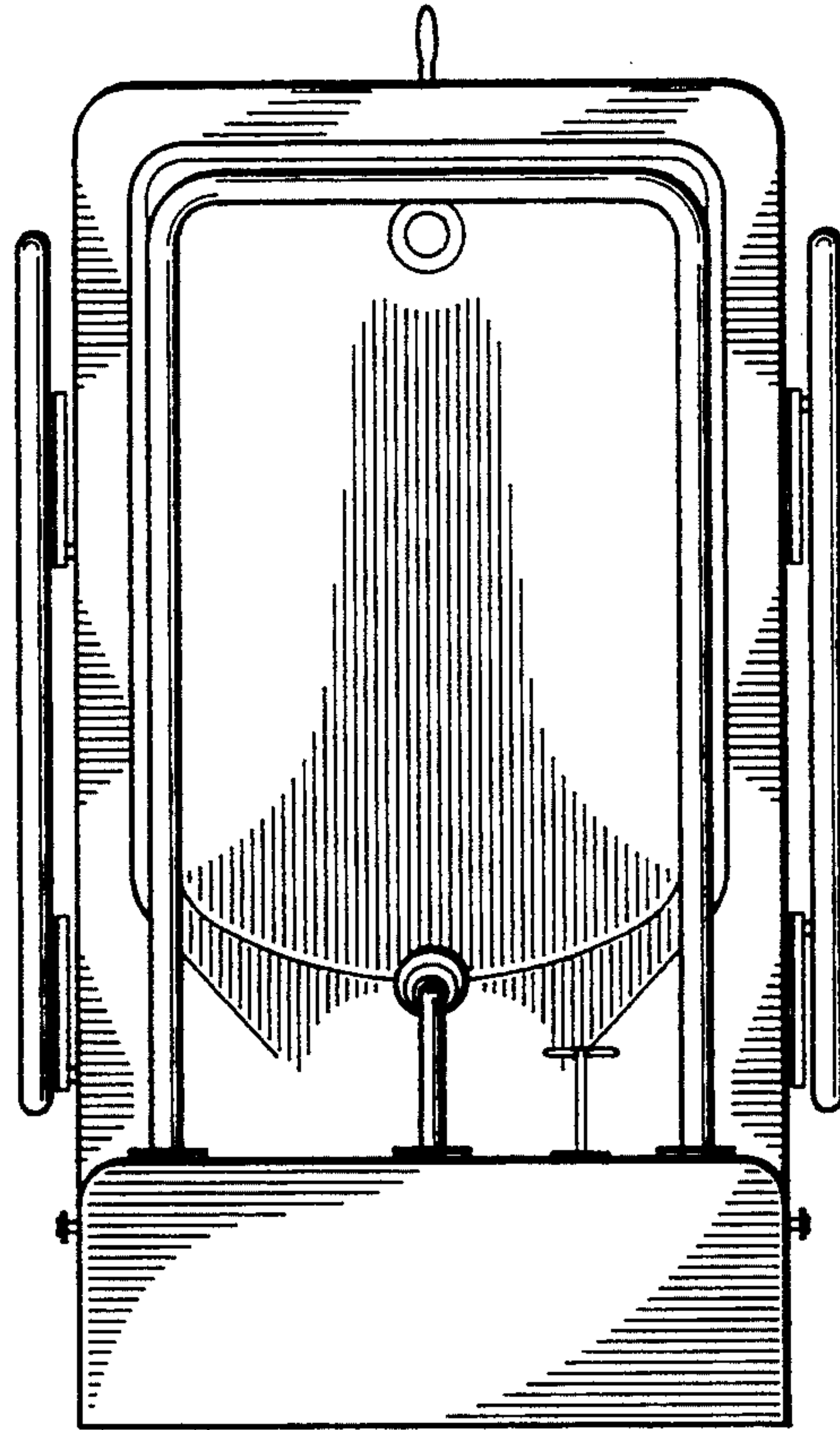


FIG. 7