



US00D350810S

United States Patent [19]
Chih

[11] **Patent Number: Des. 350,810**

[45] **Date of Patent: ** Sep. 20, 1994**

[54] **WATER SPRAY GUN**

[76] **Inventor: E-Shun Chih**, No. 5, Tian-Yang Section, Lu-Gung Town, Chang-Hau Hsien, Taiwan

[**] **Term: 14 Years**

[21] **Appl. No.: 6,502**

[22] **Filed: Mar. 31, 1993**

[52] **U.S. Cl. D23/223**

[58] **Field of Search** 239/301, 332, 414-415, 239/394, DIG. 14; D23/213, 223-227

[56] **References Cited**

U.S. PATENT DOCUMENTS

- D. 225,736 1/1973 Mango et al. D23/226
- D. 270,657 9/1983 Clivio et al. D23/226
- 4,666,085 5/1987 Liau 239/394

OTHER PUBLICATIONS

True Temper Water Works, Feb. 7, 1986, p. 7 Item A.

Primary Examiner—Wallace R. Burke

Assistant Examiner—Robin V. Taylor

Attorney, Agent, or Firm—Bacon & Thomas

[57] **CLAIM**

The ornamental design for a water spray gun, as shown and described.

DESCRIPTION

FIG. 1 is a perspective view of a water spray gun showing my new design;

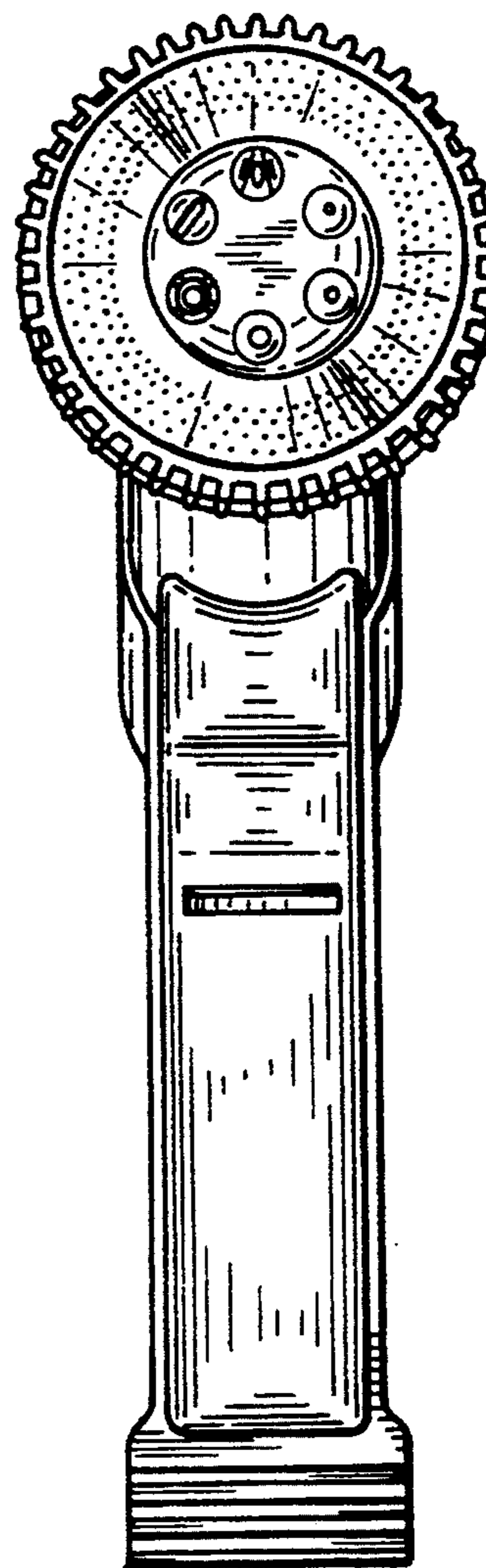
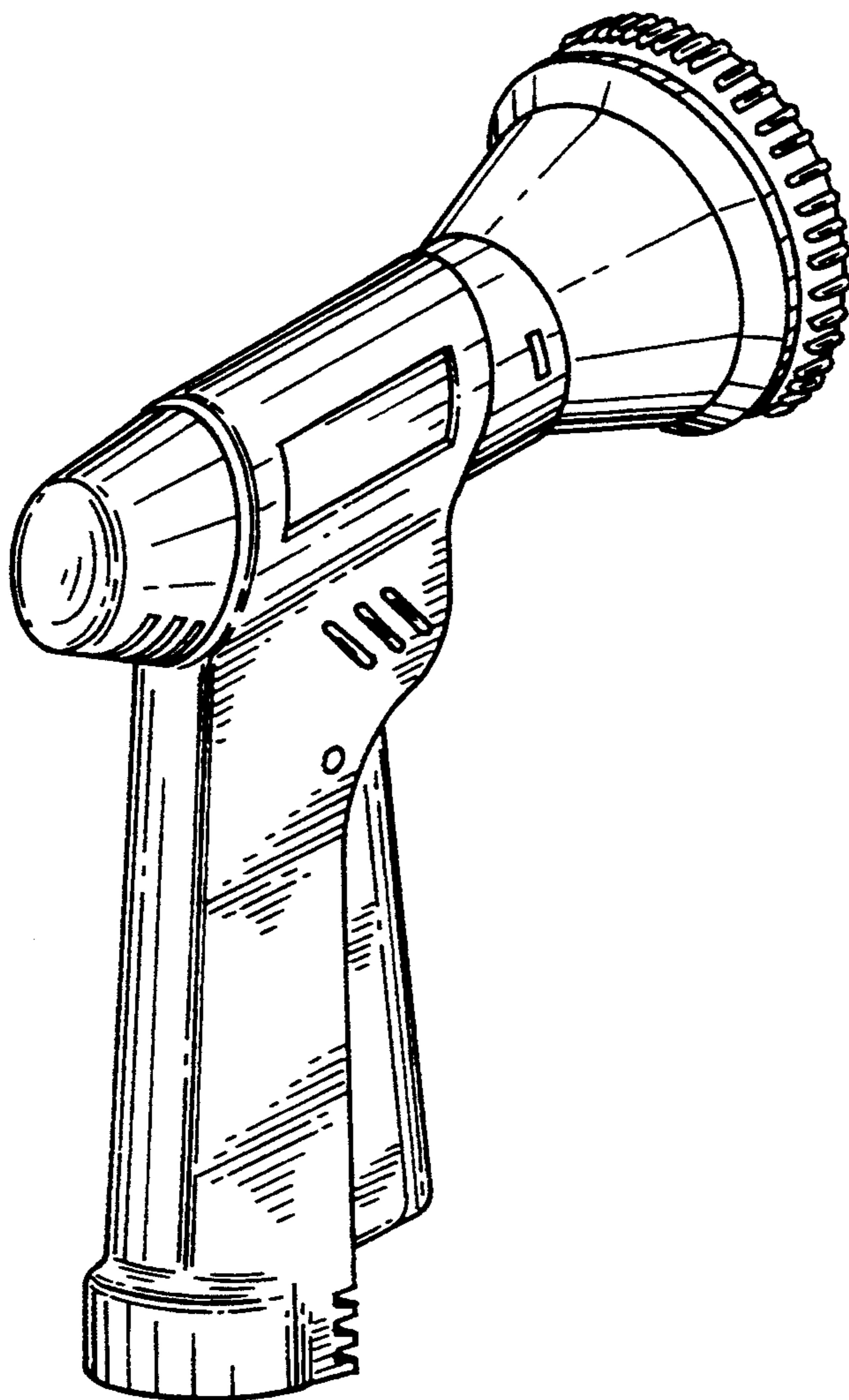
FIG. 2 is a left side elevational view thereof, the right side elevational view being an identical mirror image;

FIG. 3 is a front elevational view thereof;

FIG. 4 is a rear elevational view thereof;

FIG. 5 is a top plan view thereof; and,

FIG. 6 is a bottom plan view thereof.



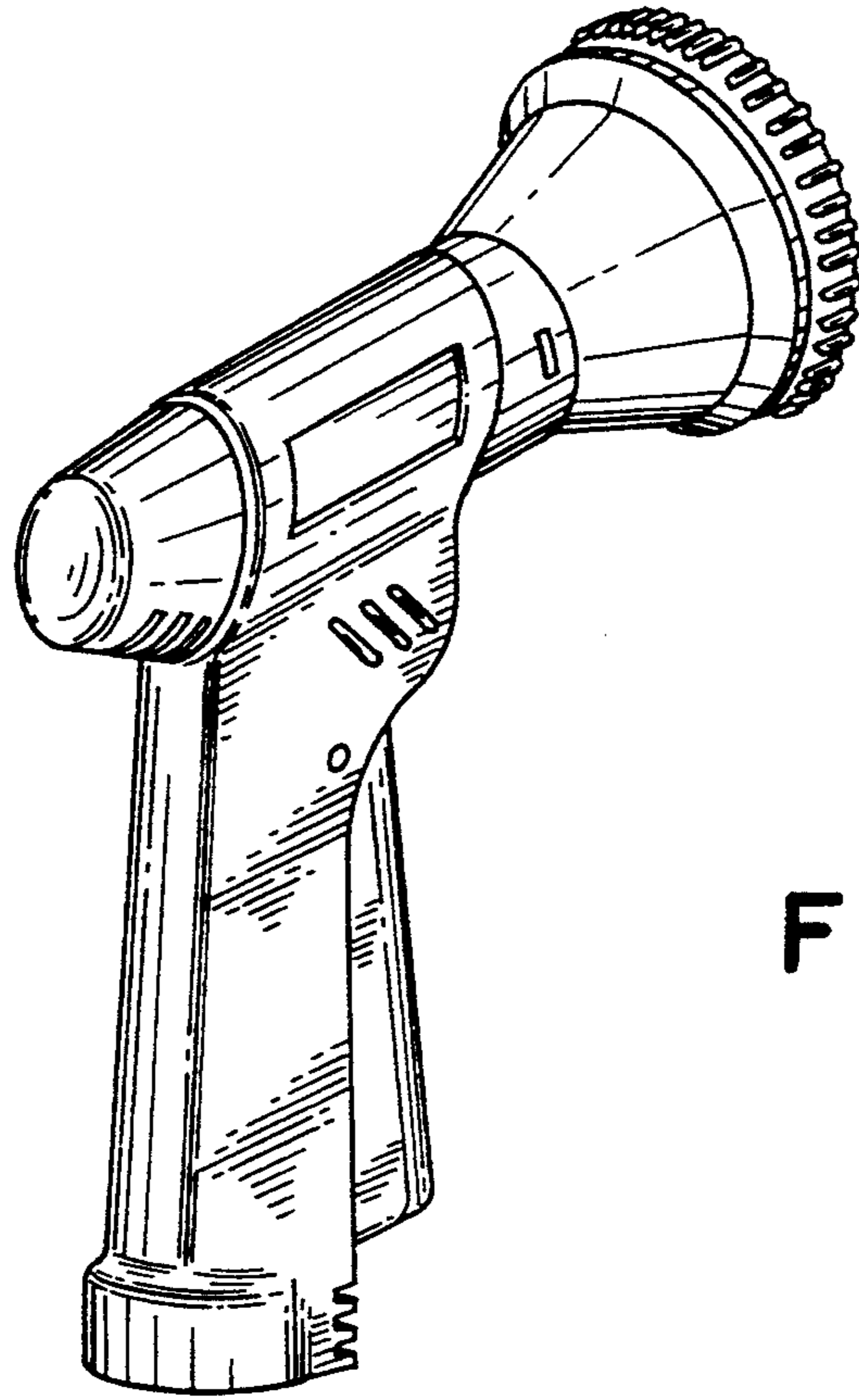


FIG. 1

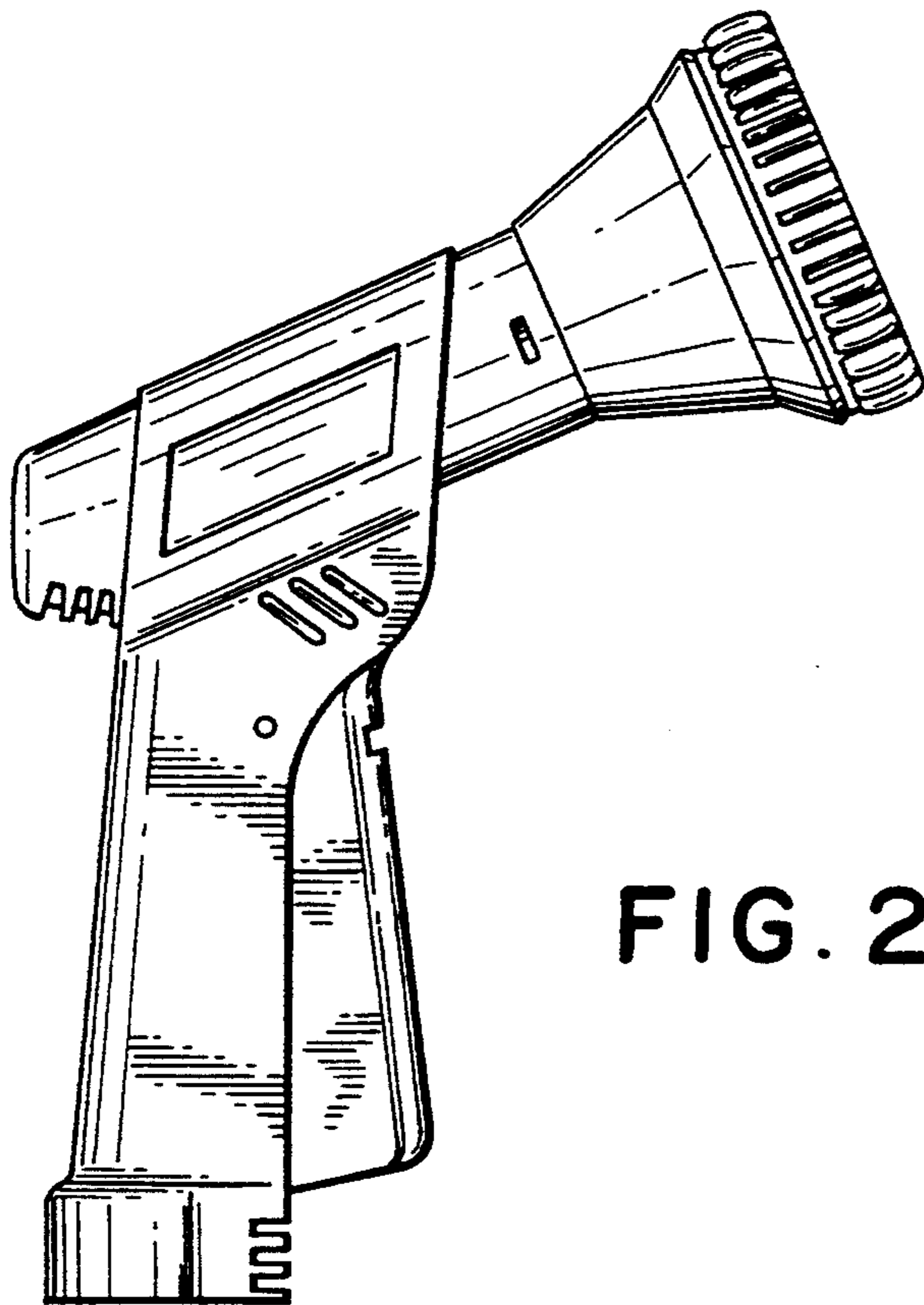


FIG. 2

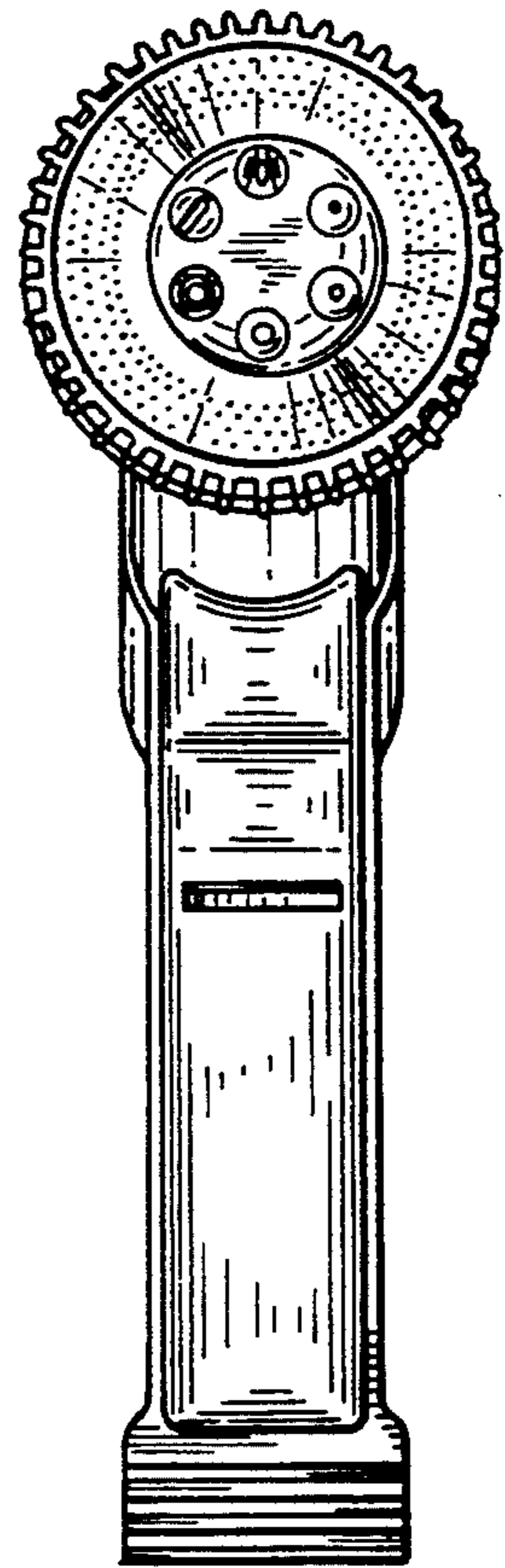


FIG. 3

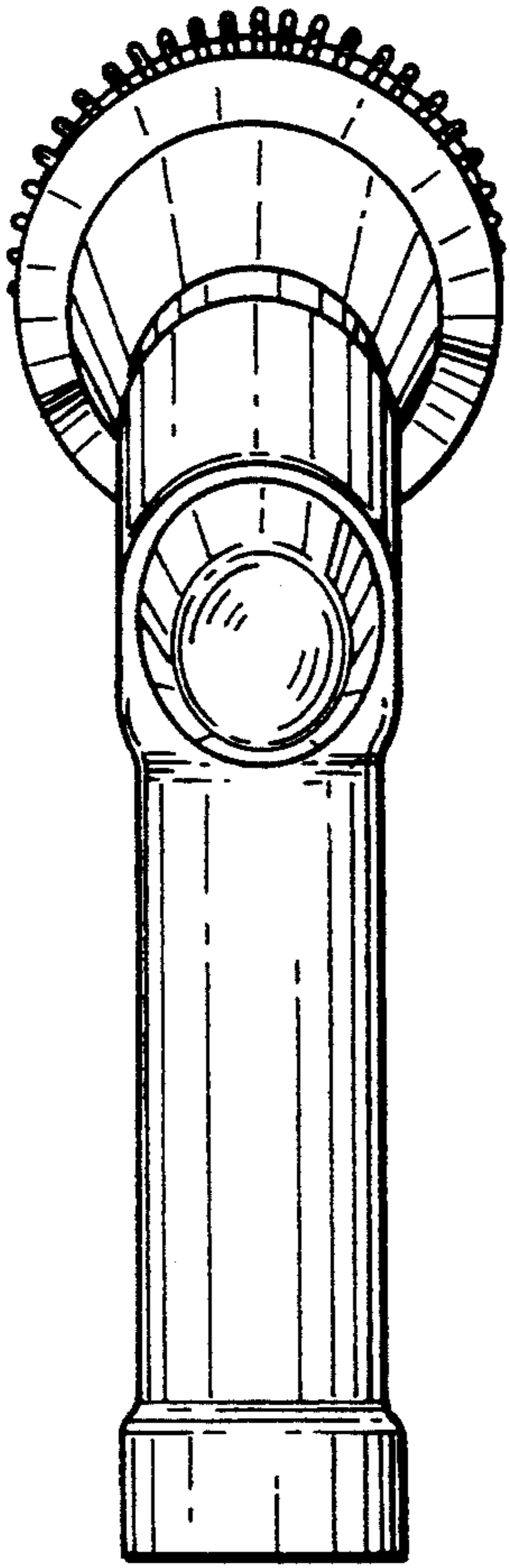


FIG. 4

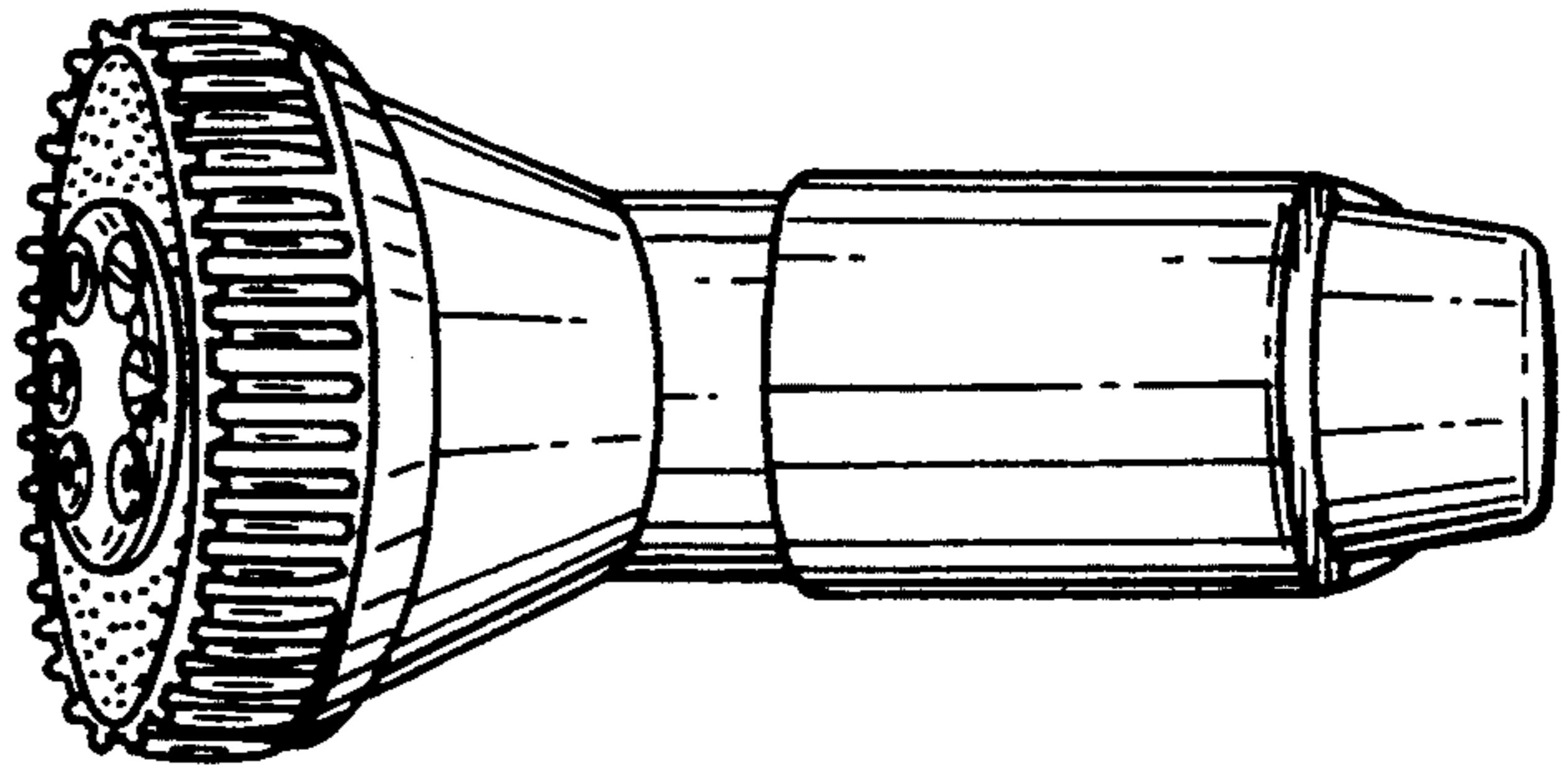


FIG. 5

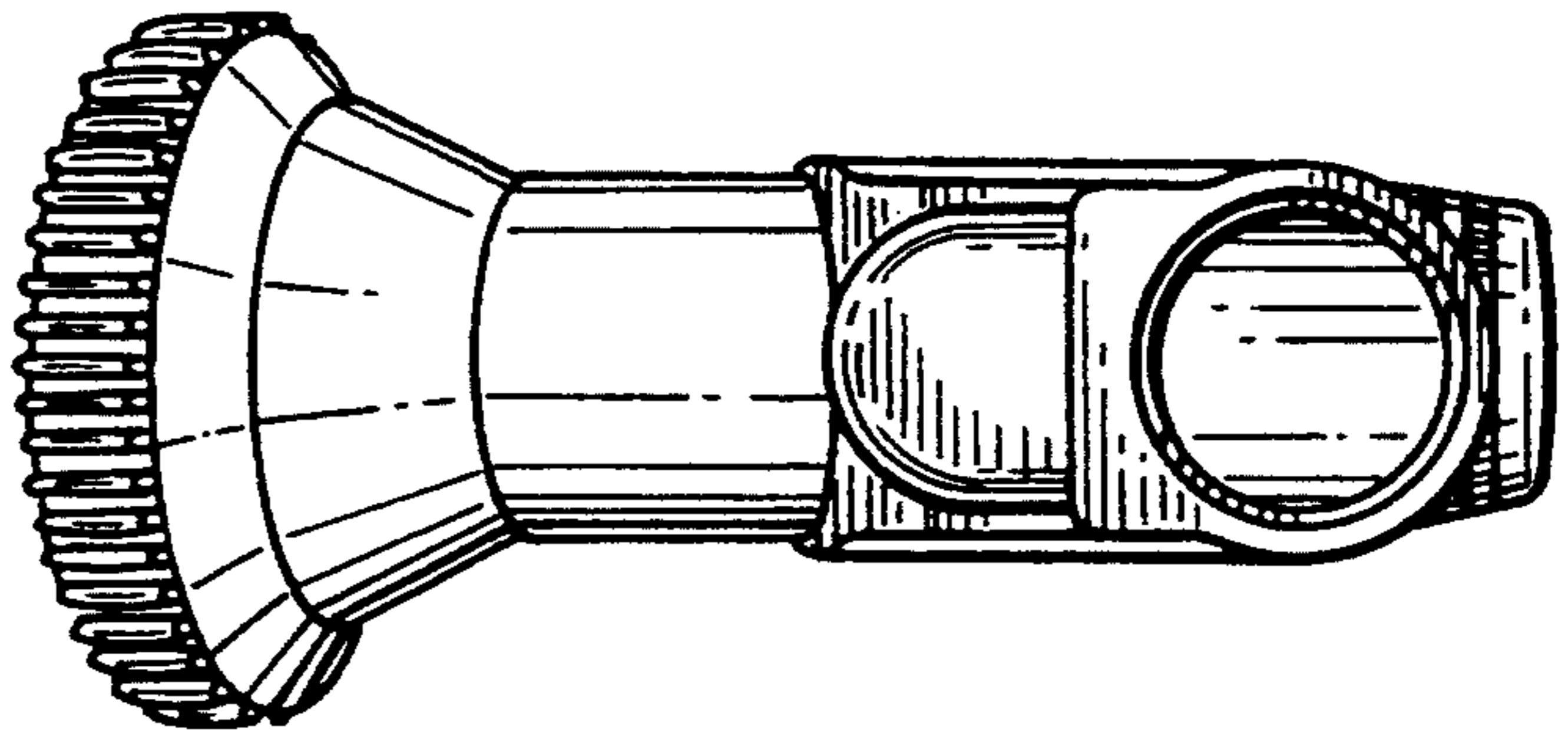


FIG. 6