



US00D350809S

United States Patent [19]

[11] Patent Number: **Des. 350,809**

Aquilina

[45] Date of Patent: **** Sep. 20, 1994**

[54] **OSCILLATING SPRINKLER**

[75] Inventor: **Paul C. Aquilina, Kitchener, Canada**

[73] Assignee: **Hunter Fan Company, Memphis, Tenn.**

[**] Term: **14 Years**

[21] Appl. No.: **862,246**

[22] Filed: **Apr. 1, 1992**

[52] U.S. Cl. **D23/216**

[58] Field of Search 239/200-206,
239/211, 222.11-223, 230-233, 273, 275-276,
288, 288.3, 288.5, 390-392, 443-444, 456, 468,
505, 518-524, 556-558, DIG. 1; D23/213-222

D. 309,772 8/1990 Hastings et al. D23/216
D. 321,034 10/1991 Whitehead D23/216
D. 321,396 11/1991 Whitehead D23/216

Primary Examiner—Wallace R. Burke
Assistant Examiner—M. H. Tung
Attorney, Agent, or Firm—Heiskell, Donelson, Bearman,
Adams, Williams & Caldwell

[57] CLAIM

The ornamental design for an oscillating sprinkler, as shown and described.

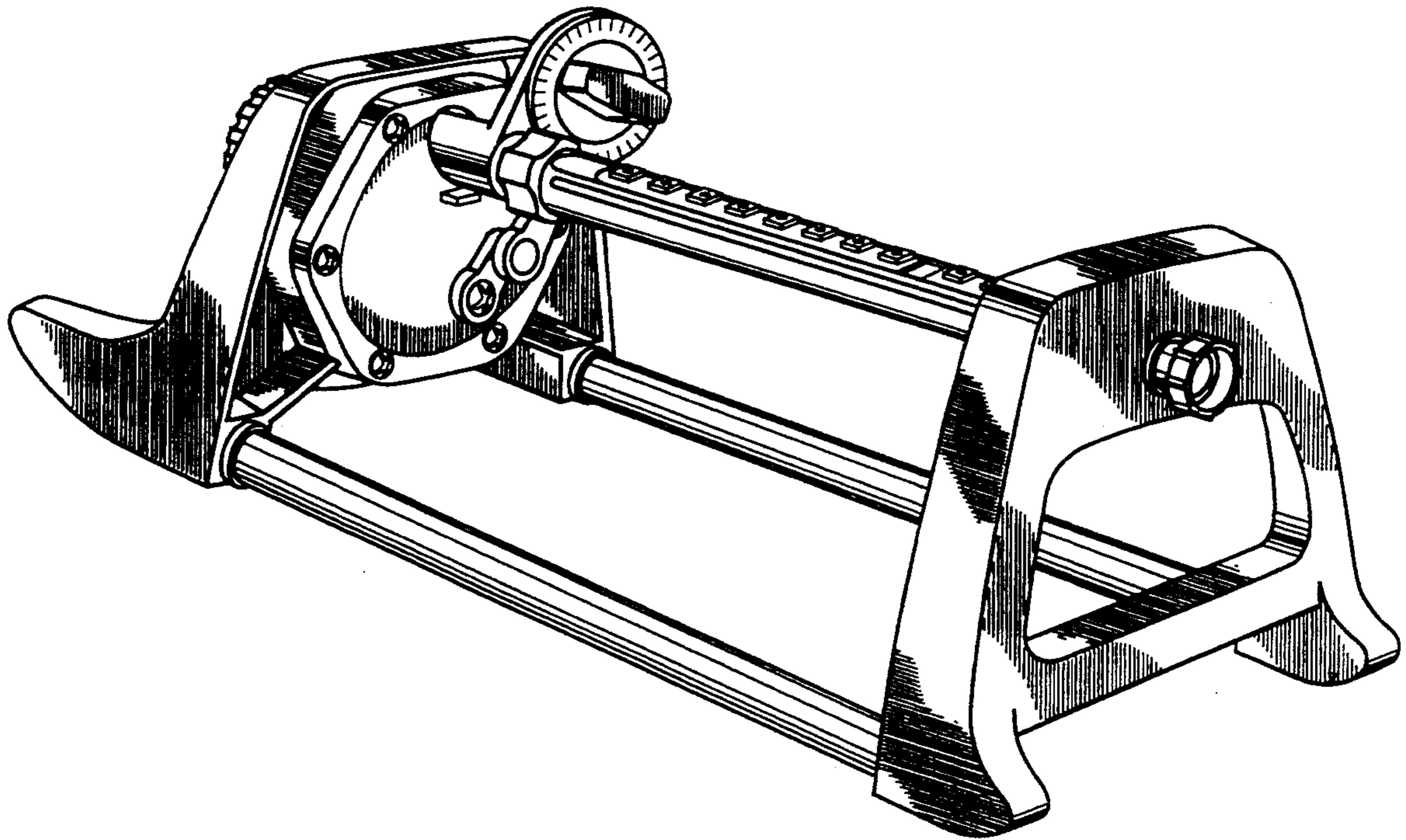
DESCRIPTION

FIG. 1 is a perspective view of an oscillating sprinkler showing my new design;
FIG. 2 is a right side elevational view thereof;
FIG. 3 is a left side elevational view thereof;
FIG. 4 is an end elevational view thereof;
FIG. 5 is an opposite end elevational view thereof;
FIG. 6 is a top plan view thereof; and,
FIG. 7 is a bottom plan view thereof.

[56] **References Cited**

U.S. PATENT DOCUMENTS

D. 234,765 4/1975 Raffler et al. D23/216
D. 294,635 3/1988 Hattori D23/216
D. 303,283 9/1989 Best et al. D23/216



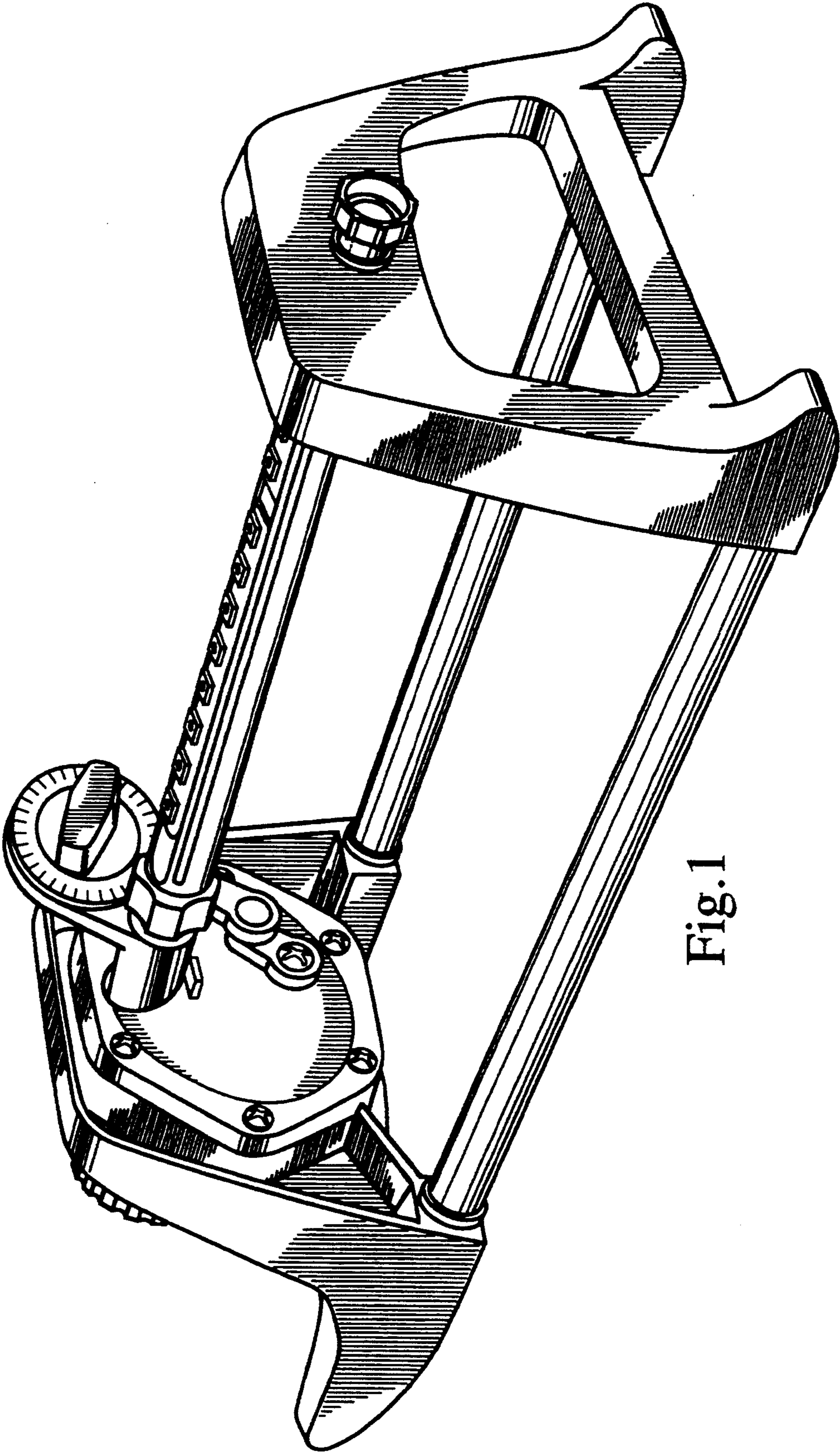


Fig. 1

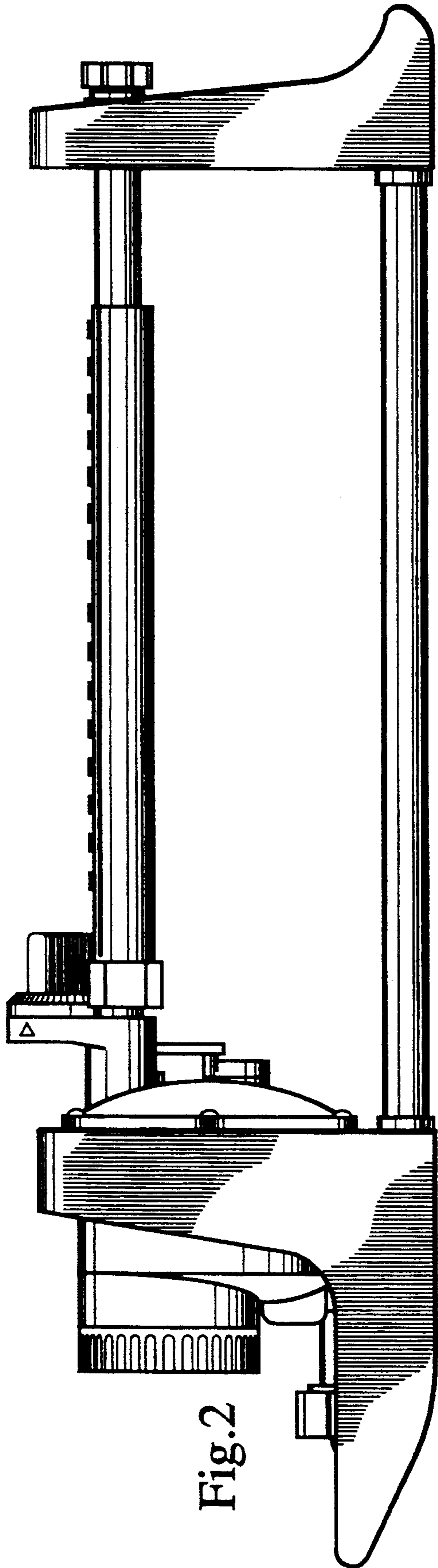


Fig. 2

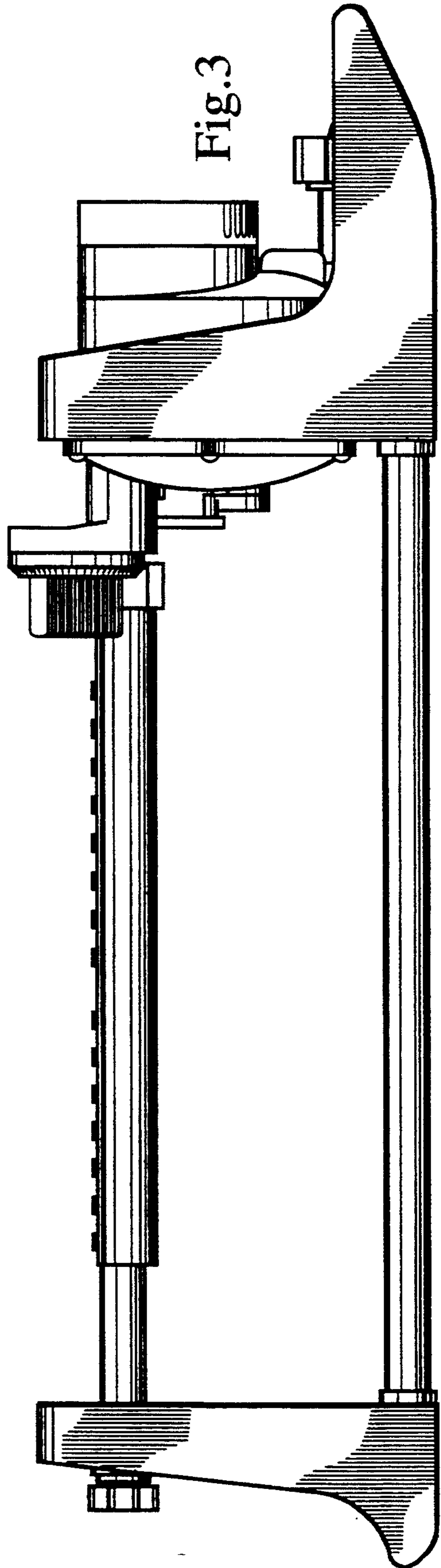


Fig. 3

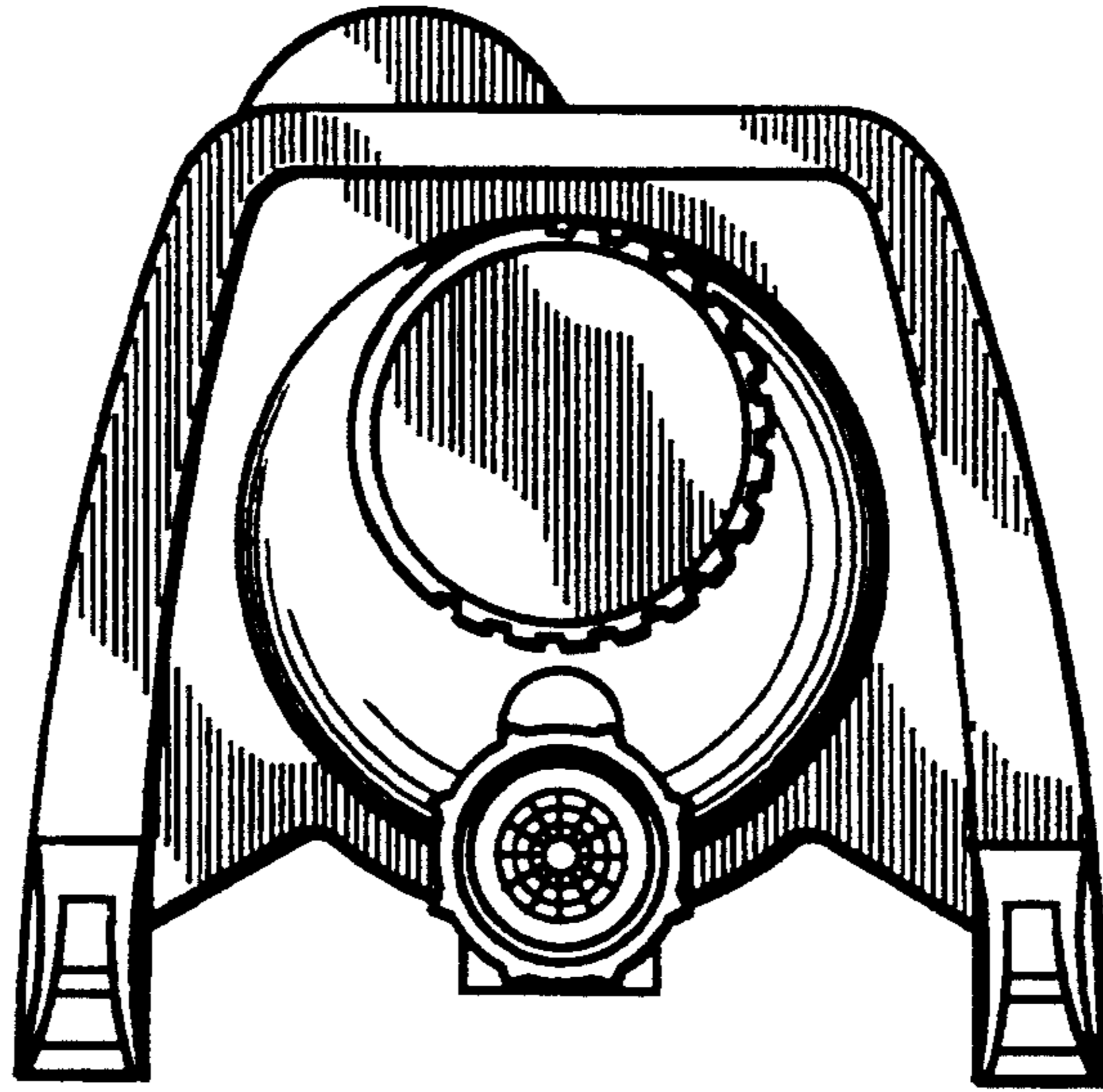


Fig.4

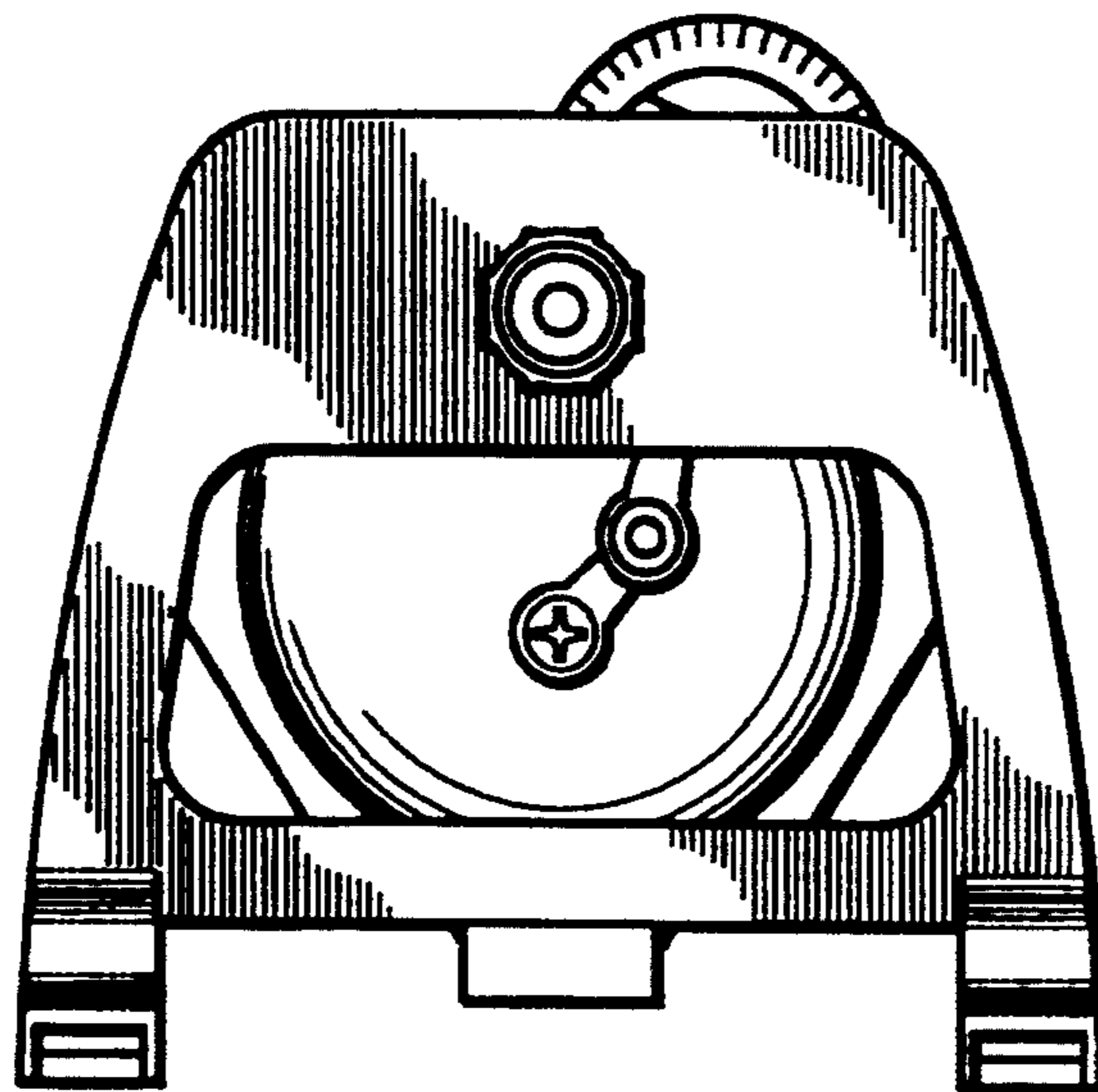
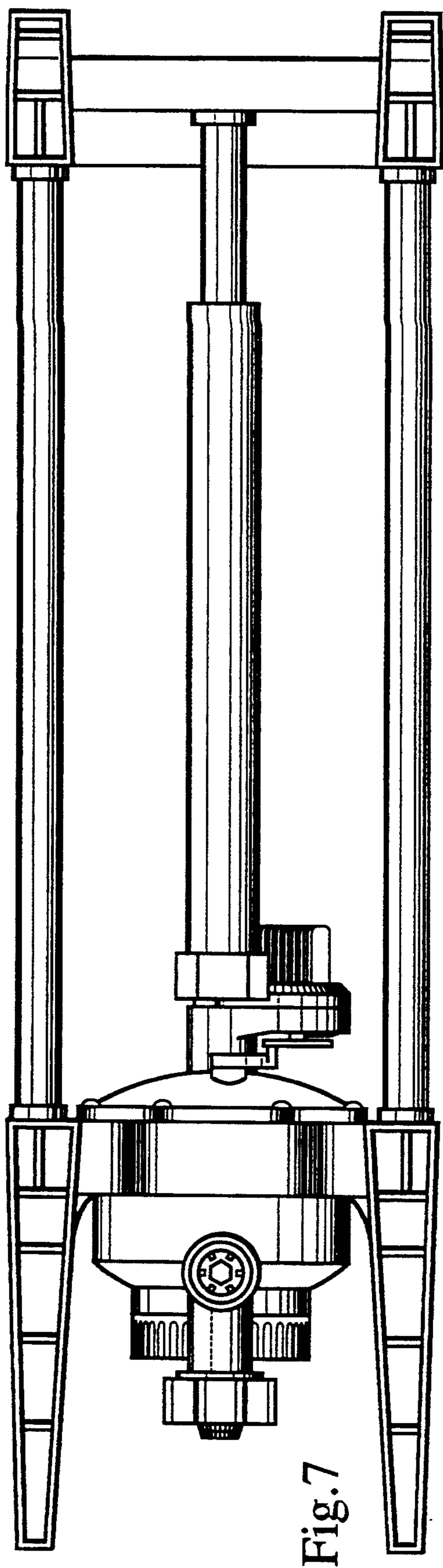
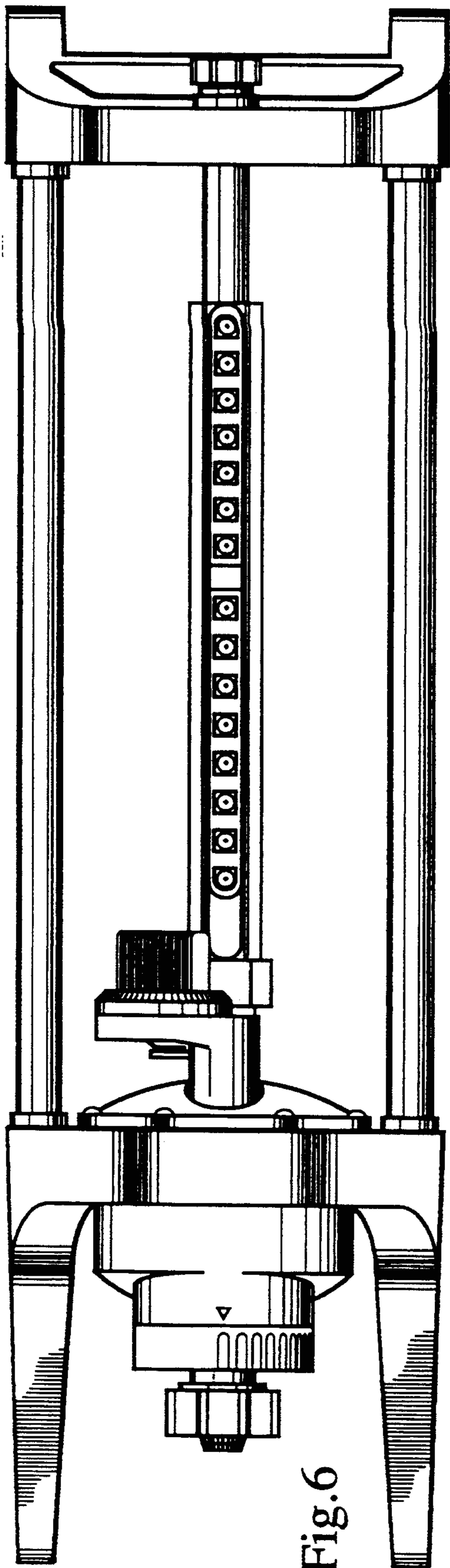


Fig.5



UNITED STATES PATENT AND TRADEMARK OFFICE
CERTIFICATE OF CORRECTION

PATENT NO. : Des. 350,809
DATED : September 20, 1994
INVENTOR(S) : Paul C. Aquilina

It is certified that error appears in the above-identified patent and that said Letters Patent is hereby corrected as shown below:

Title page: Column 1, after Assignee:

please delete "Hunter Fan Company, Memphis, Tenn."
and insert --Melnor Manufacturing, Ltd., Brantford,
Ontario, Canada--.

Signed and Sealed this
Twenty-second Day of August, 1995

Attest:



BRUCE LEHMAN

Attesting Officer

Commissioner of Patents and Trademarks