



US00D350805S

United States Patent [19]

[11] Patent Number: **Des. 350,805**

Berfield

[45] Date of Patent: **** Sep. 20, 1994**

[54] **TANK FOR A PRESSURE WASHER**

[75] Inventor: **Robert C. Berfield, Jersey Shore, Pa.**

[73] Assignee: **Shop Vac Corporation, Williamsport, Pa.**

[**] Term: **14 Years**

[21] Appl. No.: **932,015**

[22] Filed: **Aug. 18, 1992**

[52] U.S. Cl. **D23/202; D32/30**

[58] Field of Search 15/320-321, 15/3.5, 344; 137/259, 565; 239/302, 308, 310; D32/1, 4, 15-17, 19; D23/223, 225, 226, 202; D15/7-9

D. 209,502 12/1967 Greene et al. D32/30
D. 331,791 12/1992 Ferguson D23/202
D. 337,368 7/1993 Berfield et al. D23/202

Primary Examiner—Ruth McInroy
Attorney, Agent, or Firm—Marshall, O'Toole, Gerstein, Murray & Borun

[57] CLAIM

The ornamental design for a tank for a pressure washer, as shown and described.

DESCRIPTION

FIG. 1 is a top, front and left side perspective view of a tank for a pressure washer showing my new design; FIG. 2 is a top, right and rear perspective view thereof; FIG. 3 is a right side elevational view thereof; FIG. 4 is a left side elevational view thereof; FIG. 5 is a front elevational view thereof; FIG. 6 is a rear elevational view thereof; FIG. 7 is a top plan view thereof; and, FIG. 8 is a bottom view thereof.

[56] References Cited

U.S. PATENT DOCUMENTS

D. 201,791 8/1965 Hershberger et al. D32/30
D. 202,611 10/1965 Gantz D32/30

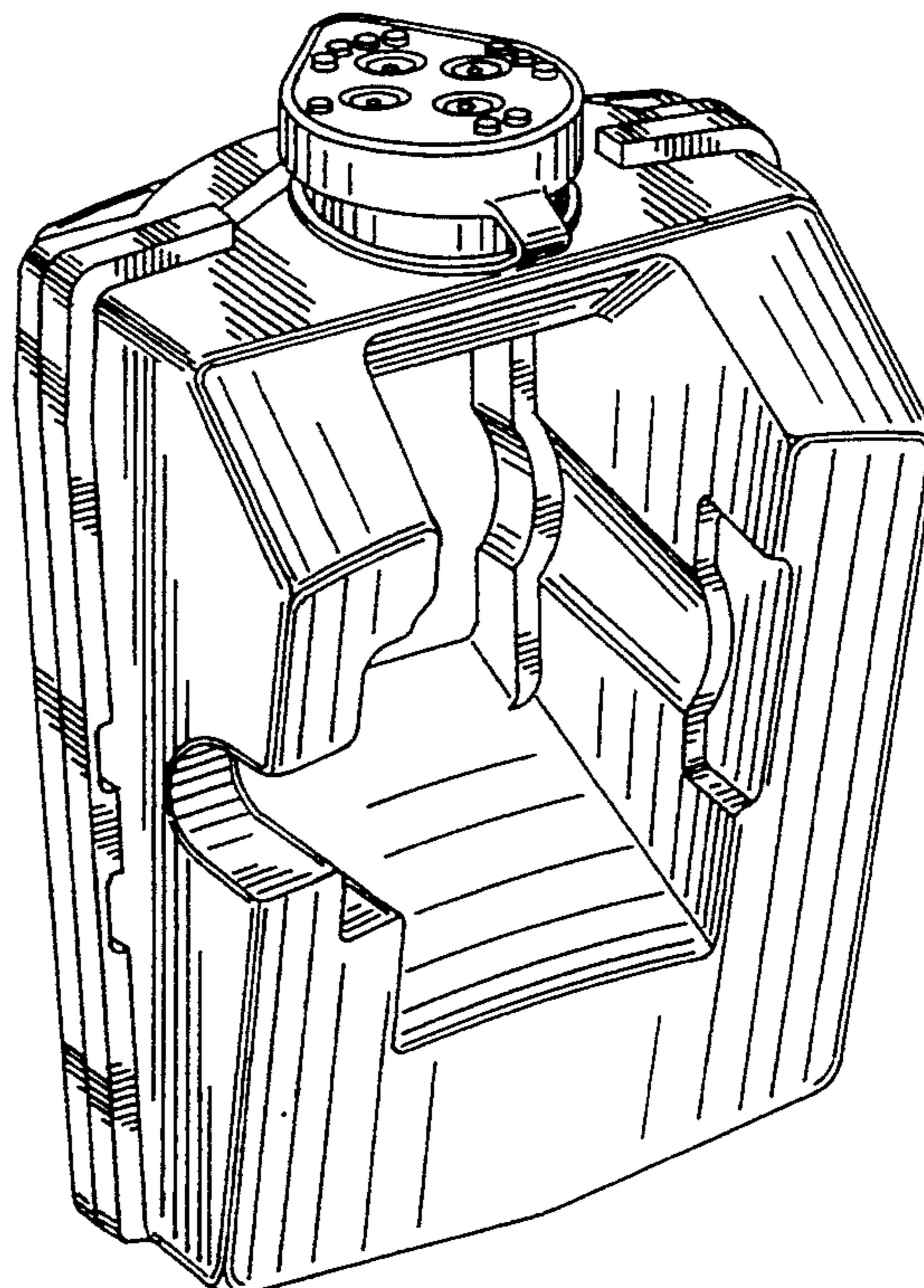
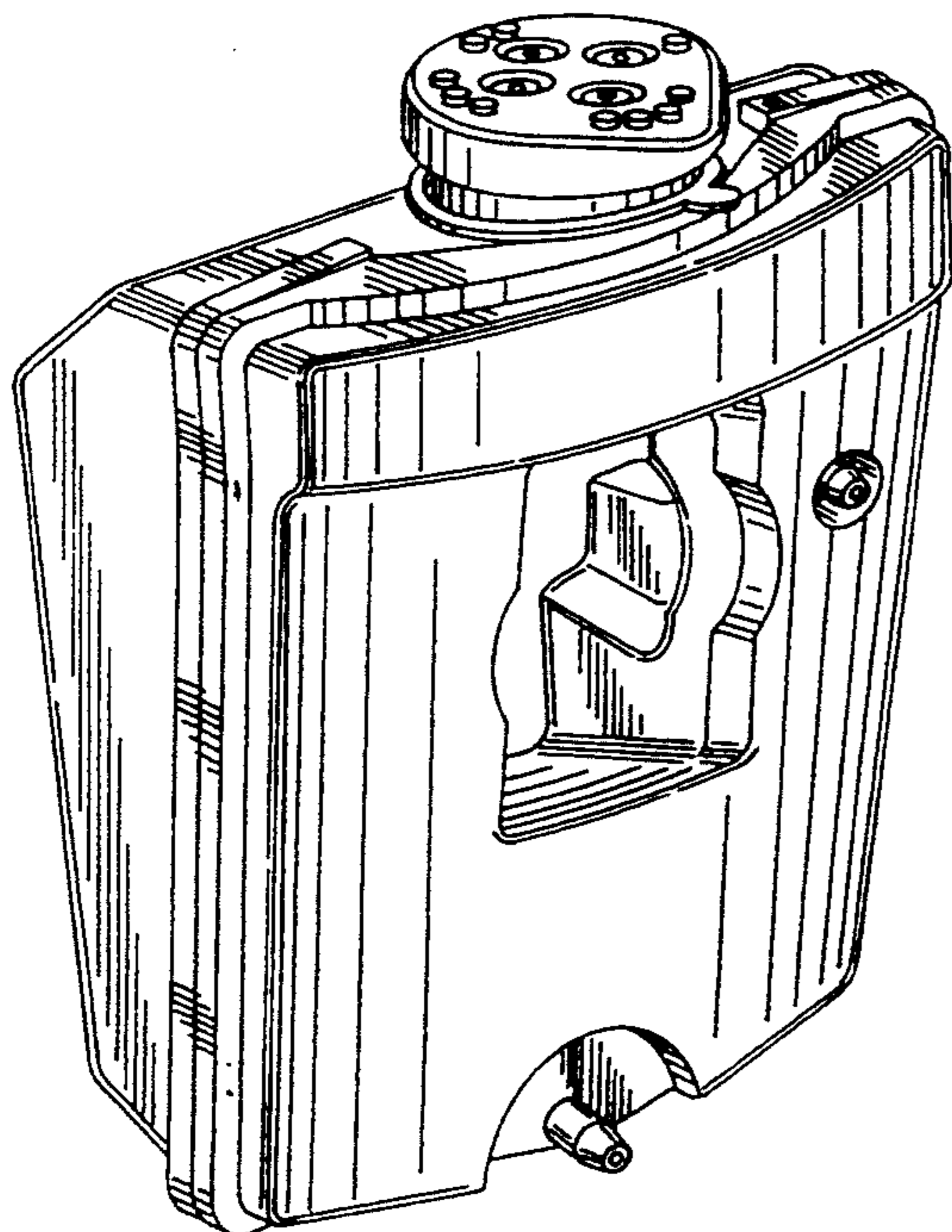


FIG. 2

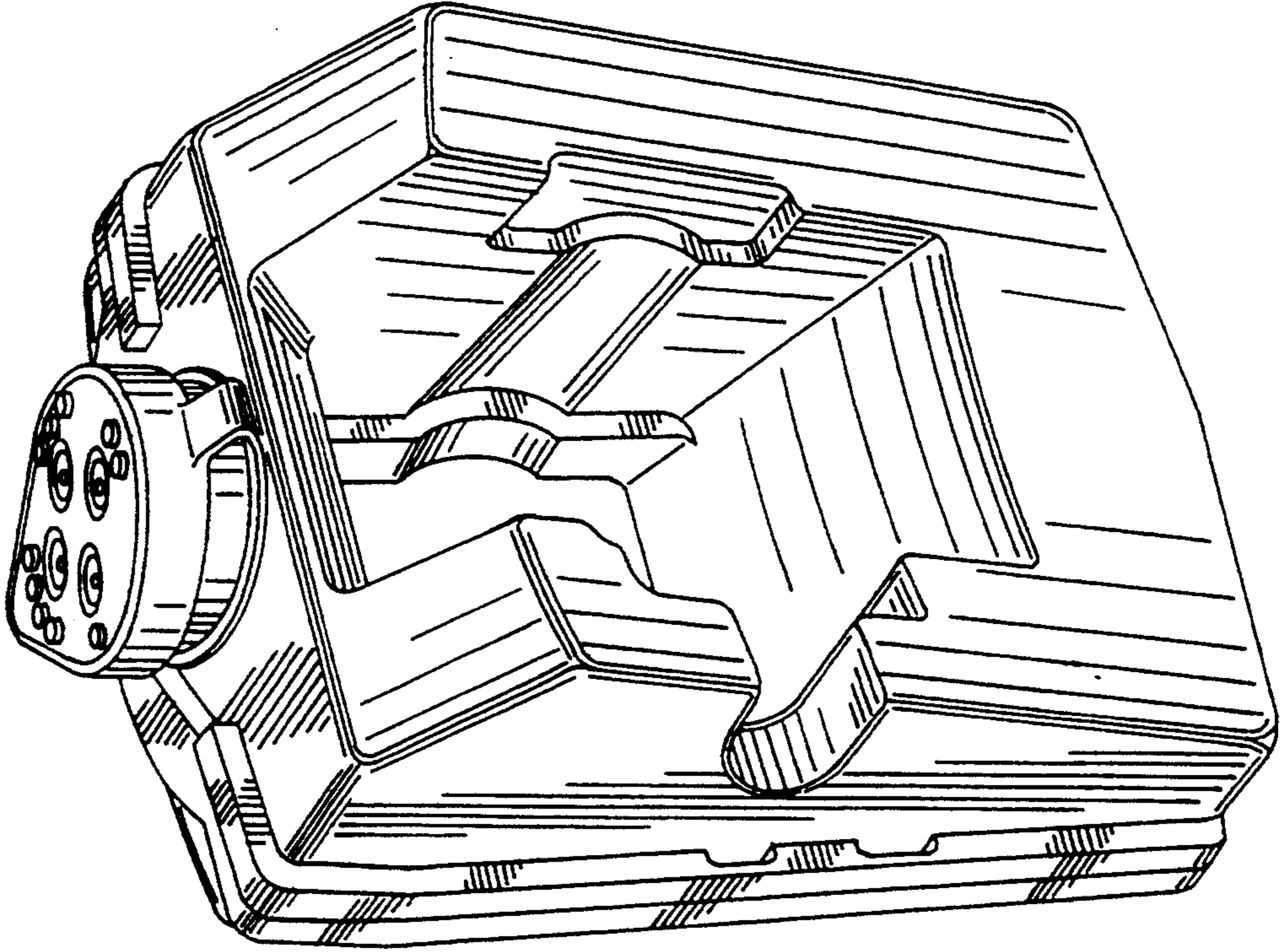


FIG. 1

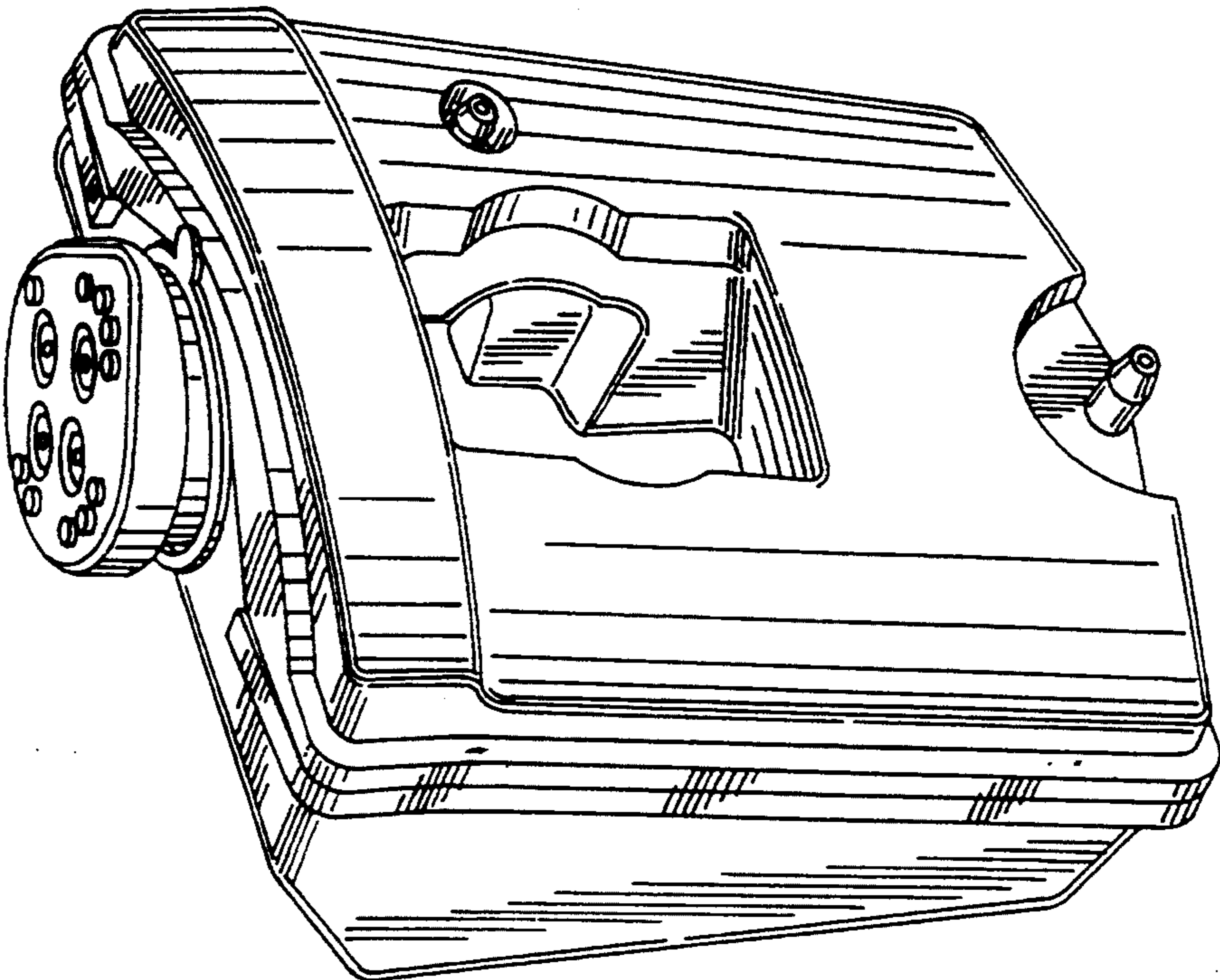


FIG. 4

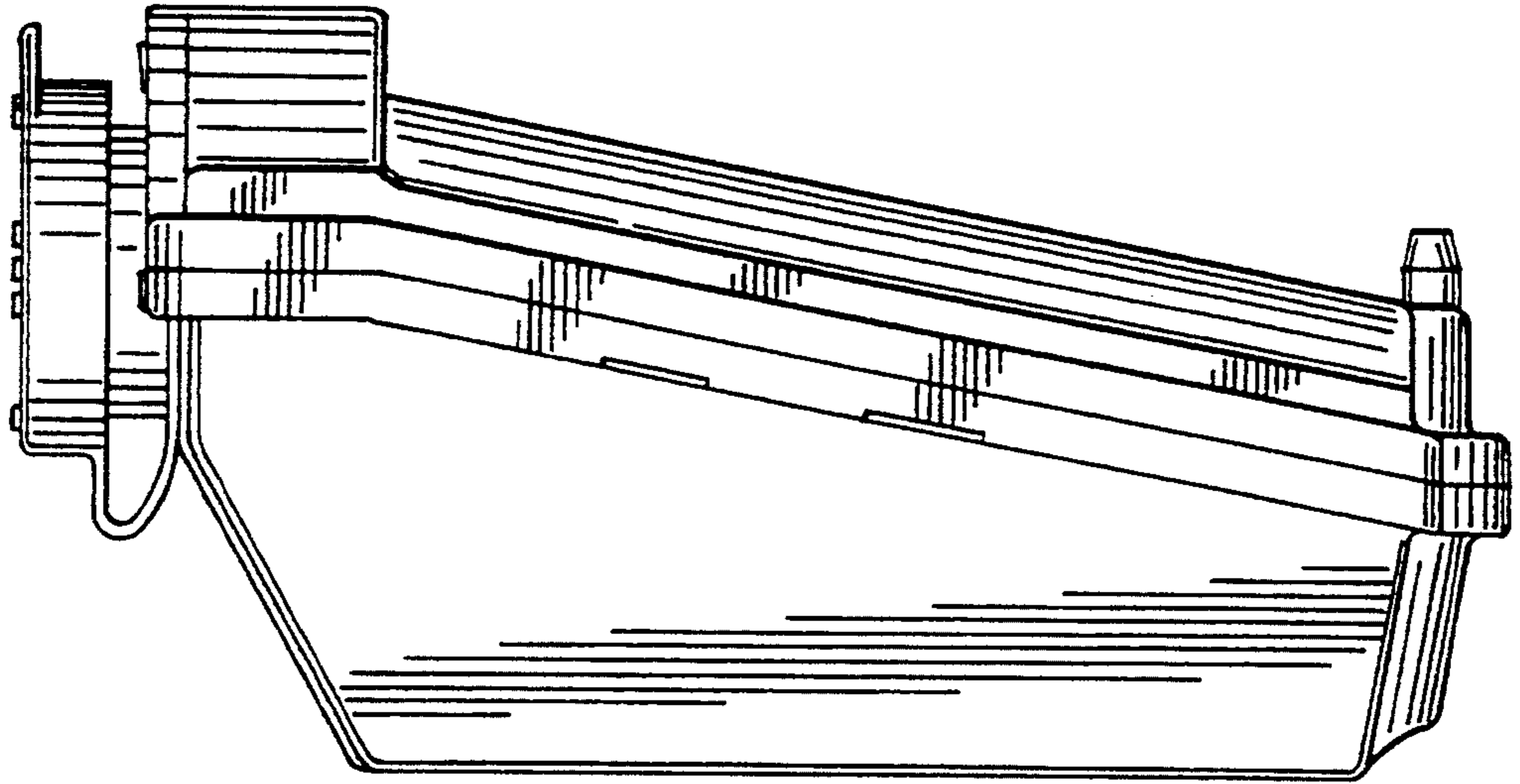


FIG. 3

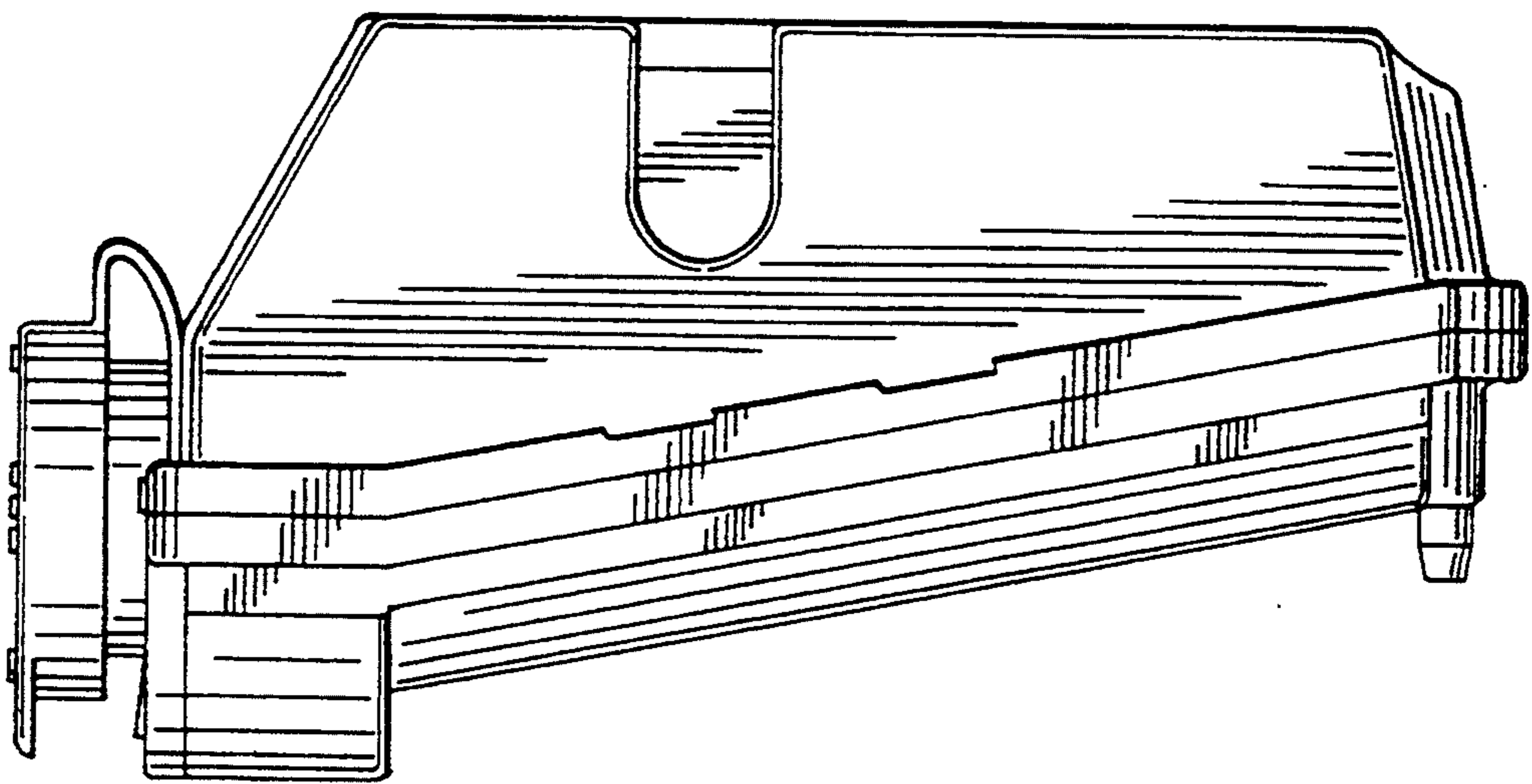


FIG. 6

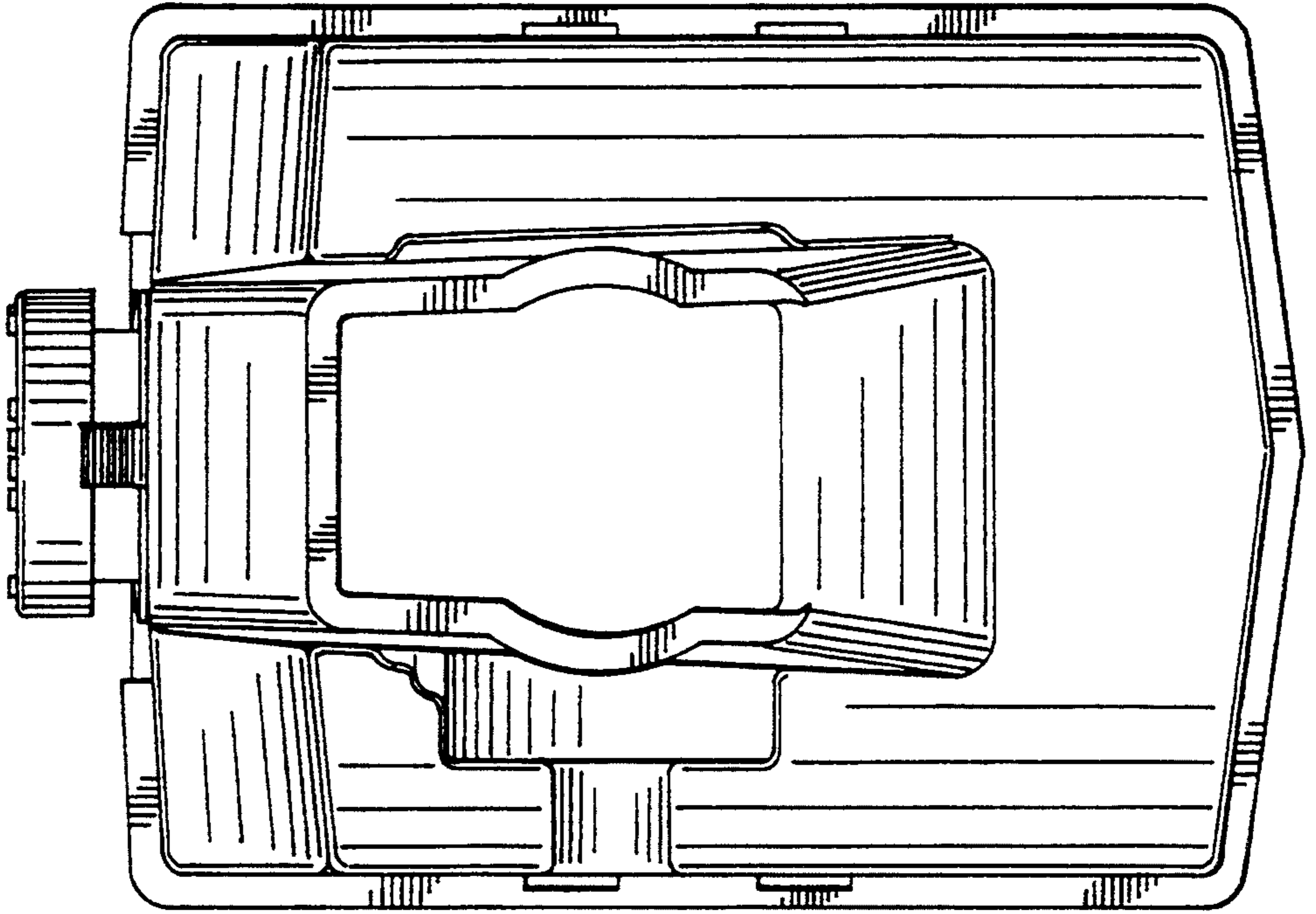


FIG. 5

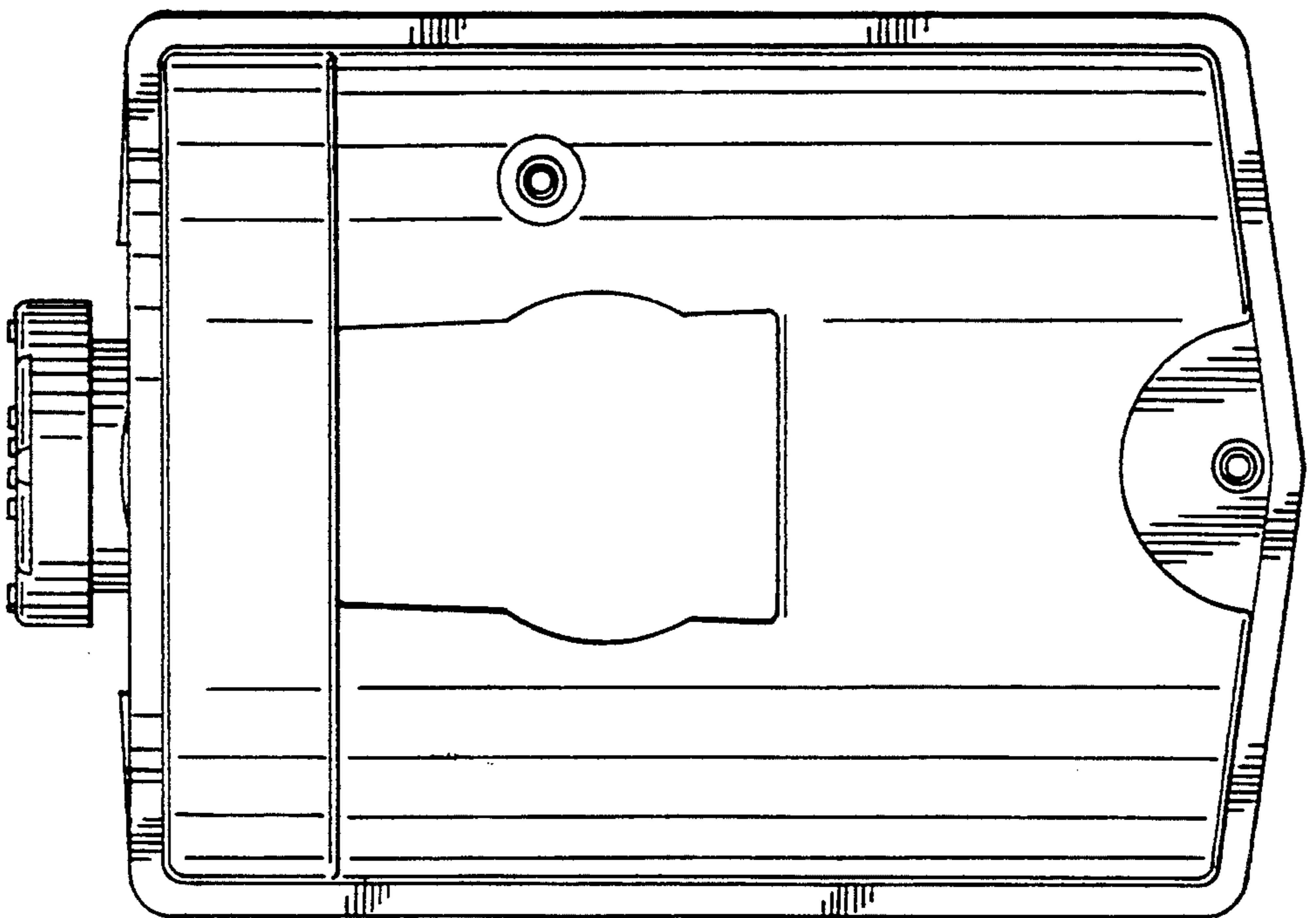


FIG. 8

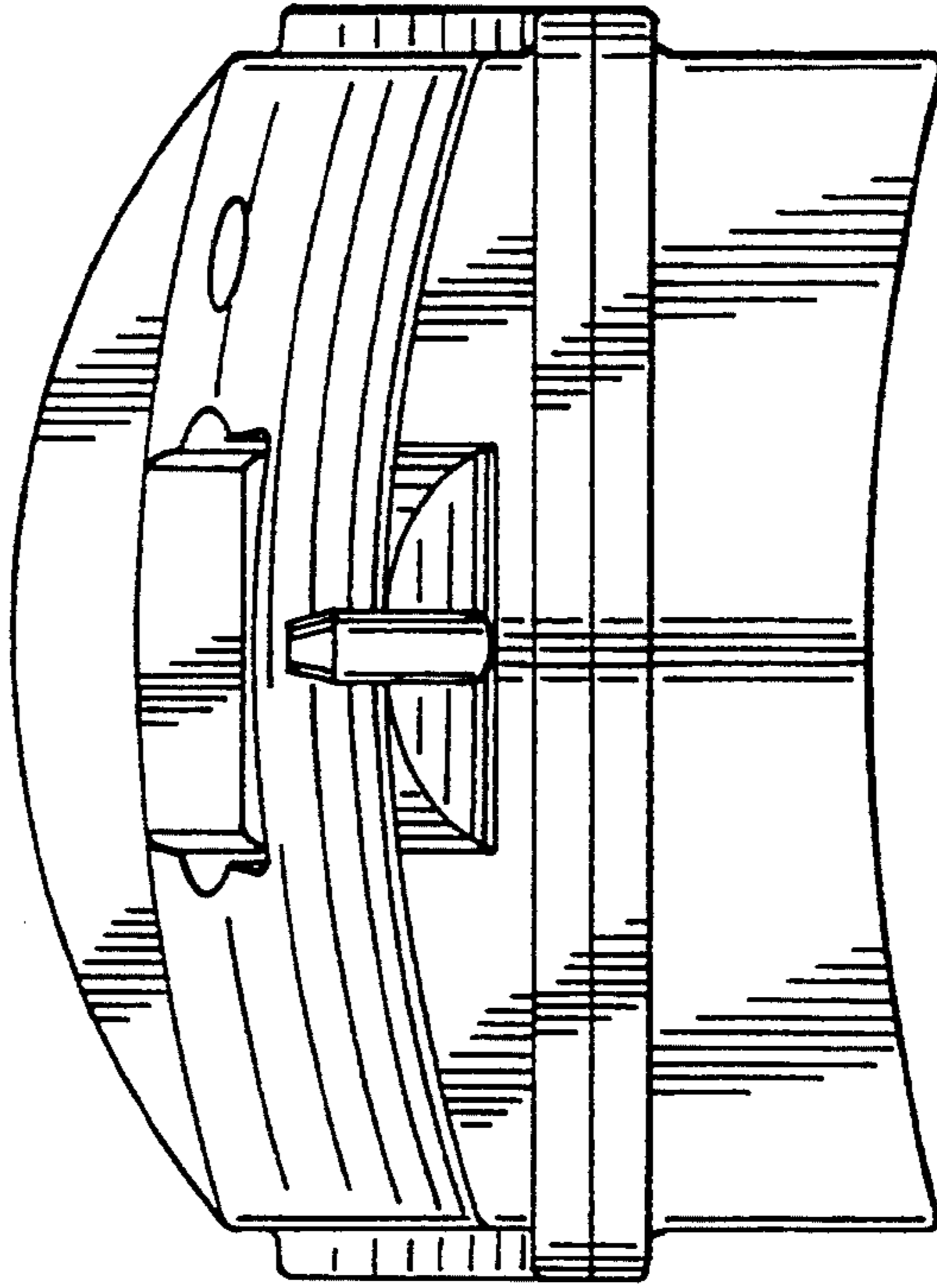


FIG. 7

