



US00D350802S

# United States Patent [19]

[11] Patent Number: **Des. 350,802**

**Herbert**

[45] Date of Patent: **\*\* Sep. 20, 1994**

[54] **FLY CATCHER**

[76] Inventor: **Phil L. Herbert**, 685 W. 1600, N. Mapleton, Utah 84664

[\*\*] Term: **14 Years**

[21] Appl. No.: **8,448**

[22] Filed: **May 18, 1993**

[52] U.S. Cl. .... **D22/122**

[58] Field of Search ..... 43/107, 122; **D22/122, D22/119**

[56] **References Cited**

**U.S. PATENT DOCUMENTS**

- D. 297,556 9/1988 Briseno ..... D22/122
- D. 342,775 12/1993 Kuipers ..... D22/122
- 4,551,941 11/1985 Schneidmiller ..... 43/122 X
- 5,243,781 9/1993 Carter ..... 43/122

*Primary Examiner*—A. Hugo Word

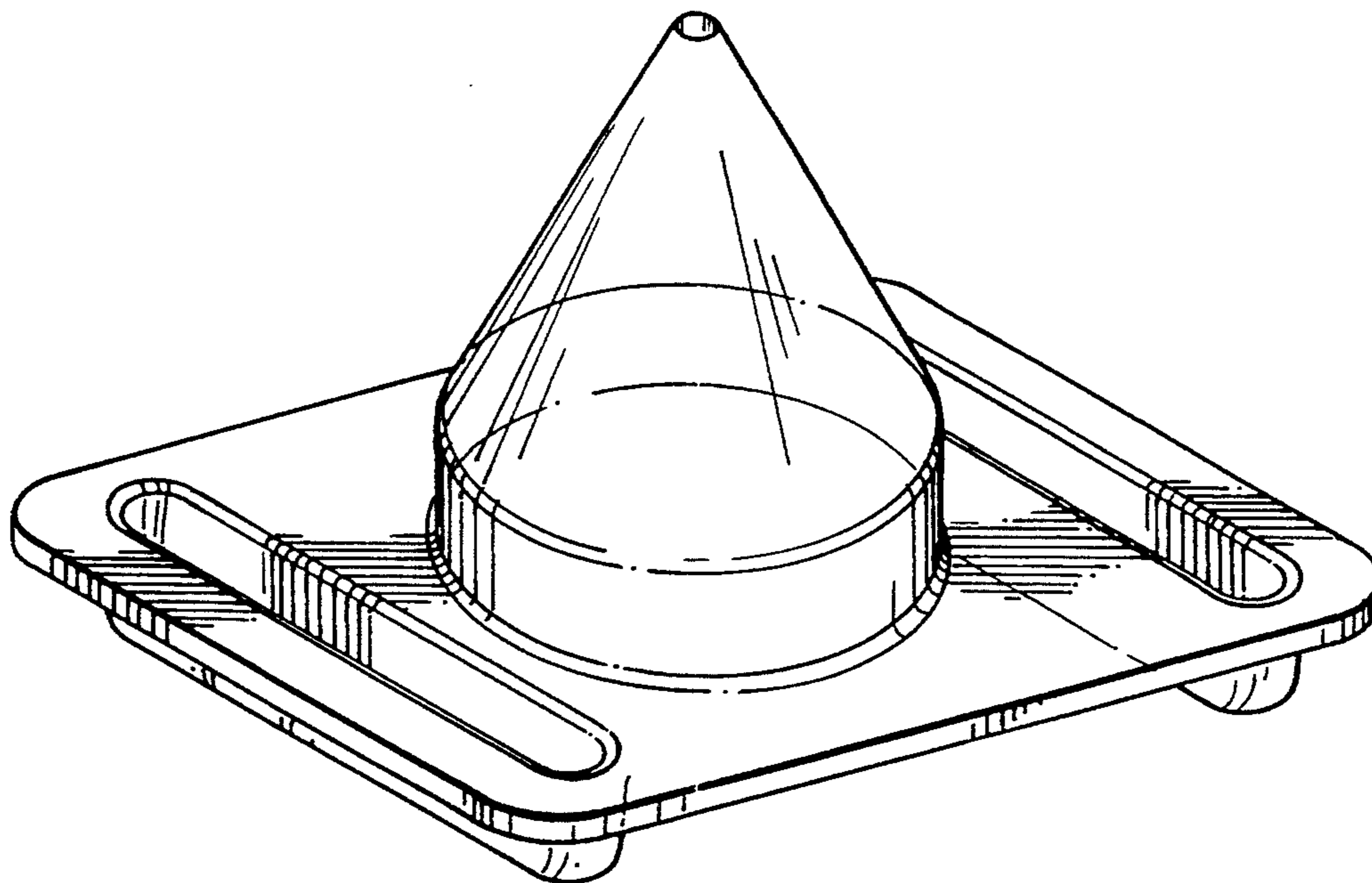
*Assistant Examiner*—Doris V. Coles  
*Attorney, Agent, or Firm*—Craig S. Barrus

[57] **CLAIM**

The ornamental design for a fly catcher, as shown and described.

**DESCRIPTION**

FIG. 1 is a perspective view of a fly catcher, showing my new design;  
 FIG. 2 is a front elevational view, the rear being a mirror image thereof;  
 FIG. 3 is a top plan view thereof;  
 FIG. 4 is a bottom plan view thereof;  
 FIG. 5 is a right side elevational view, the left side being a mirror image thereof; and,  
 FIG. 6 is another perspective view thereof.  
 The broken line showing of a plastic bag and try in FIG. 6 is for illustrative purposes only and forms no part of the claimed design.



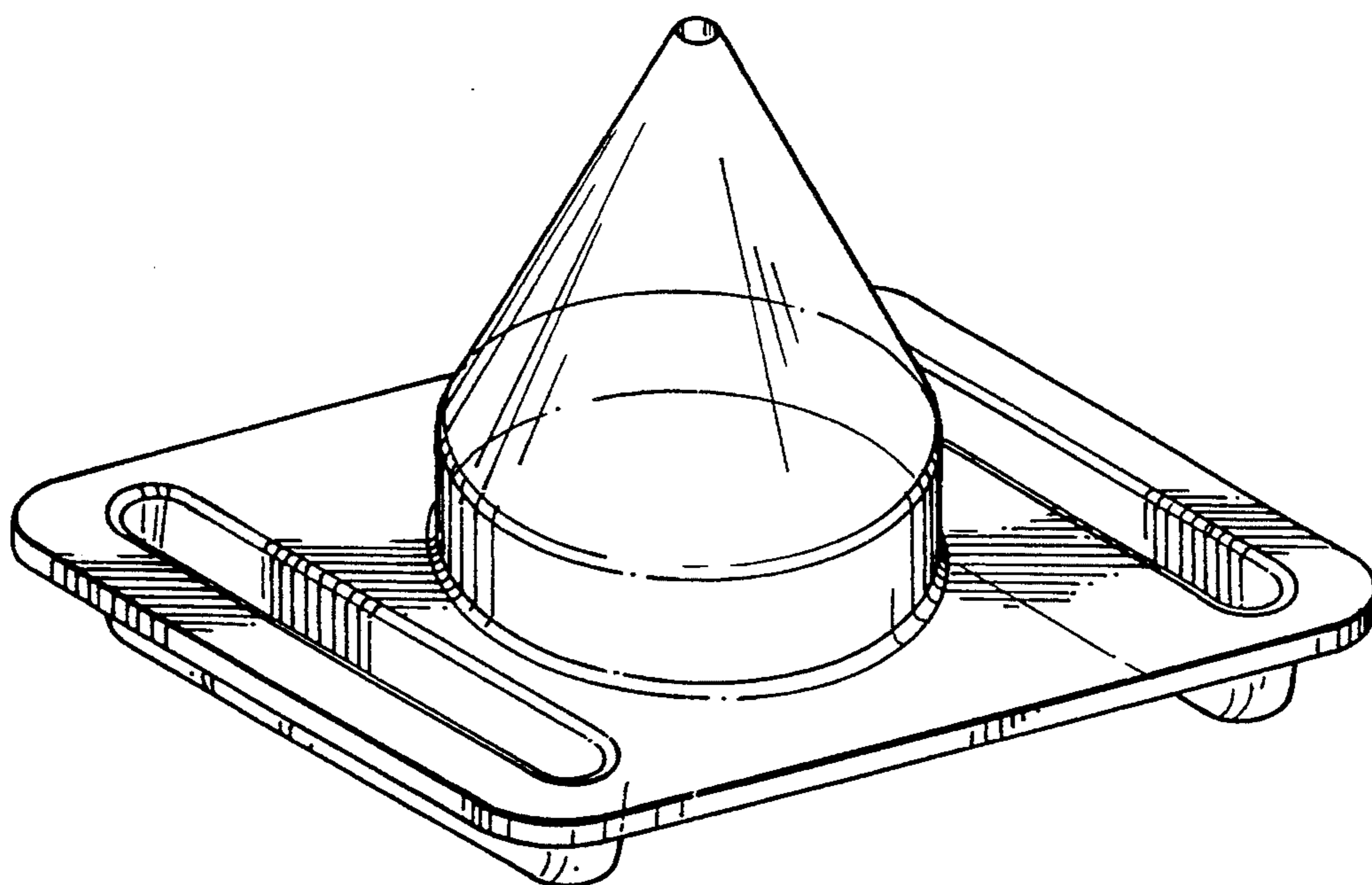


FIG. 1

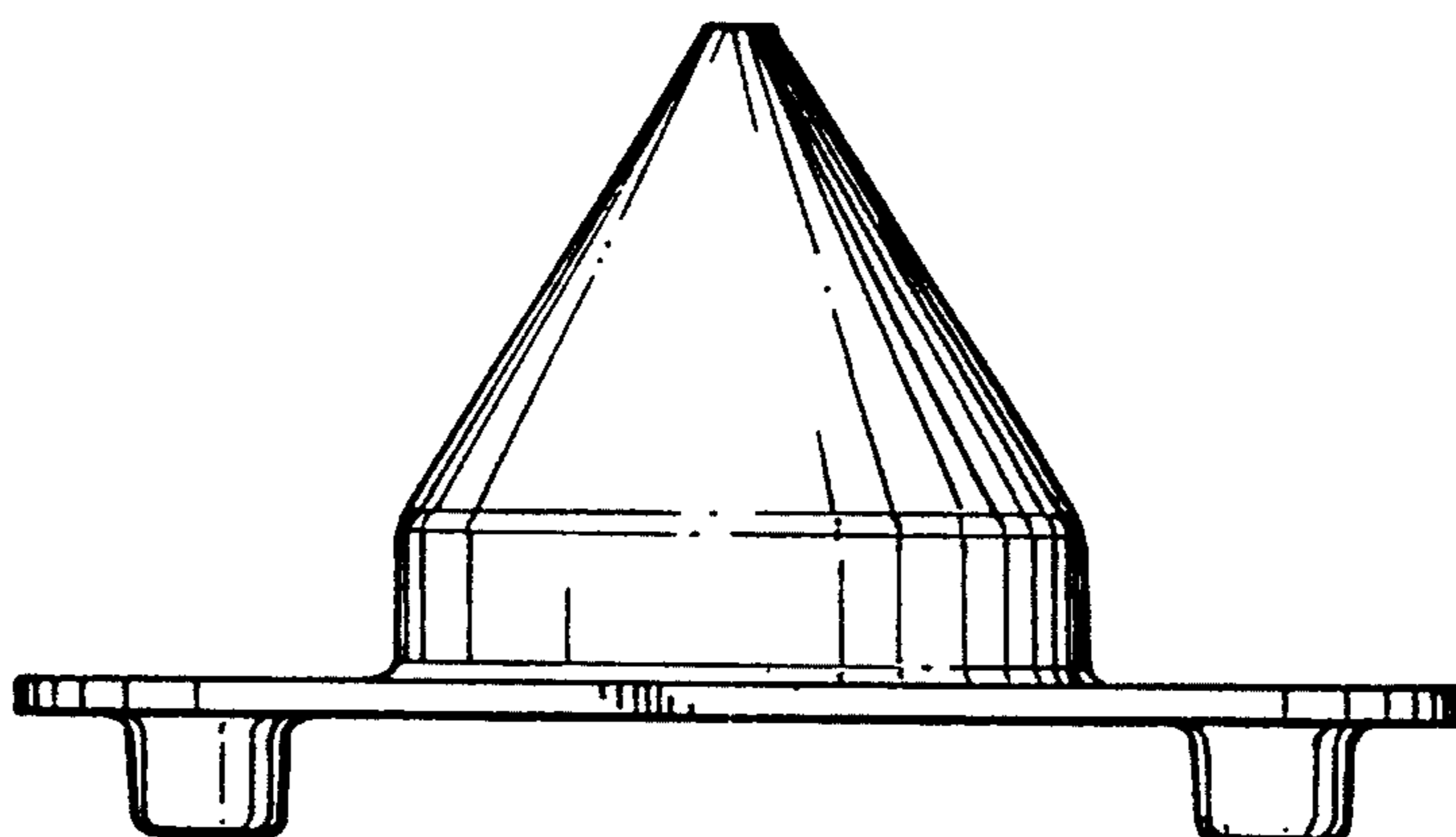


FIG. 2

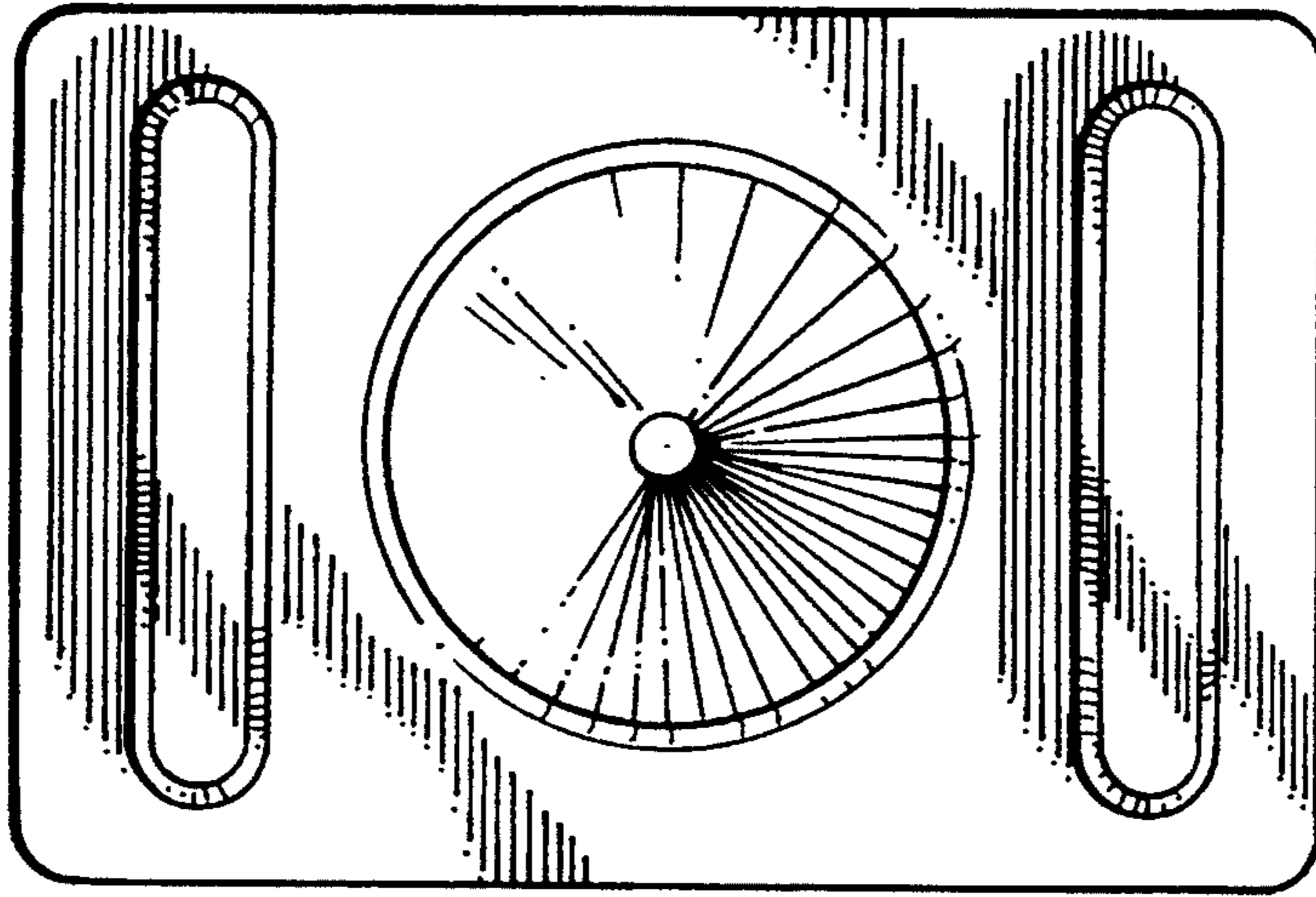


FIG. 3

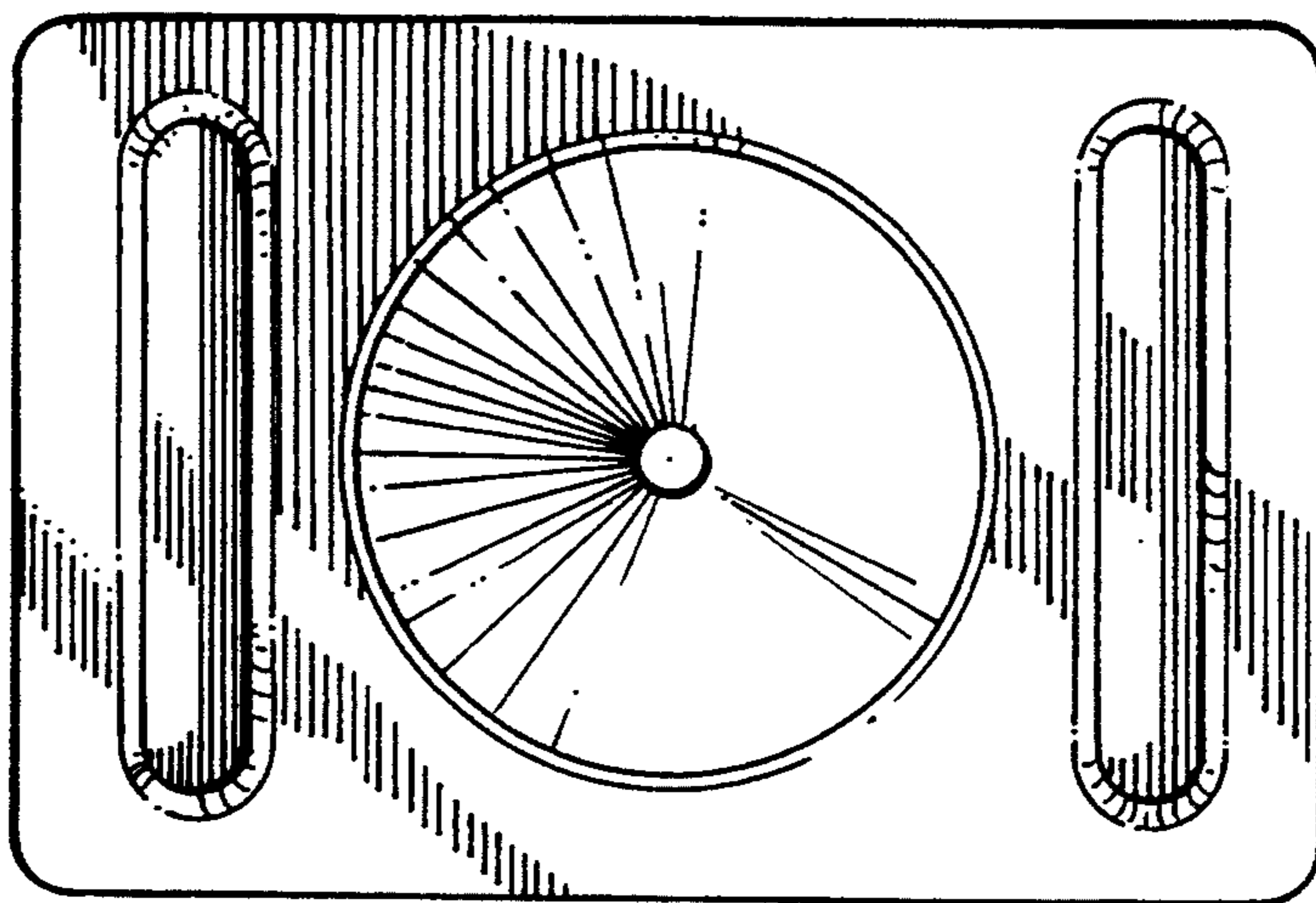


FIG. 4

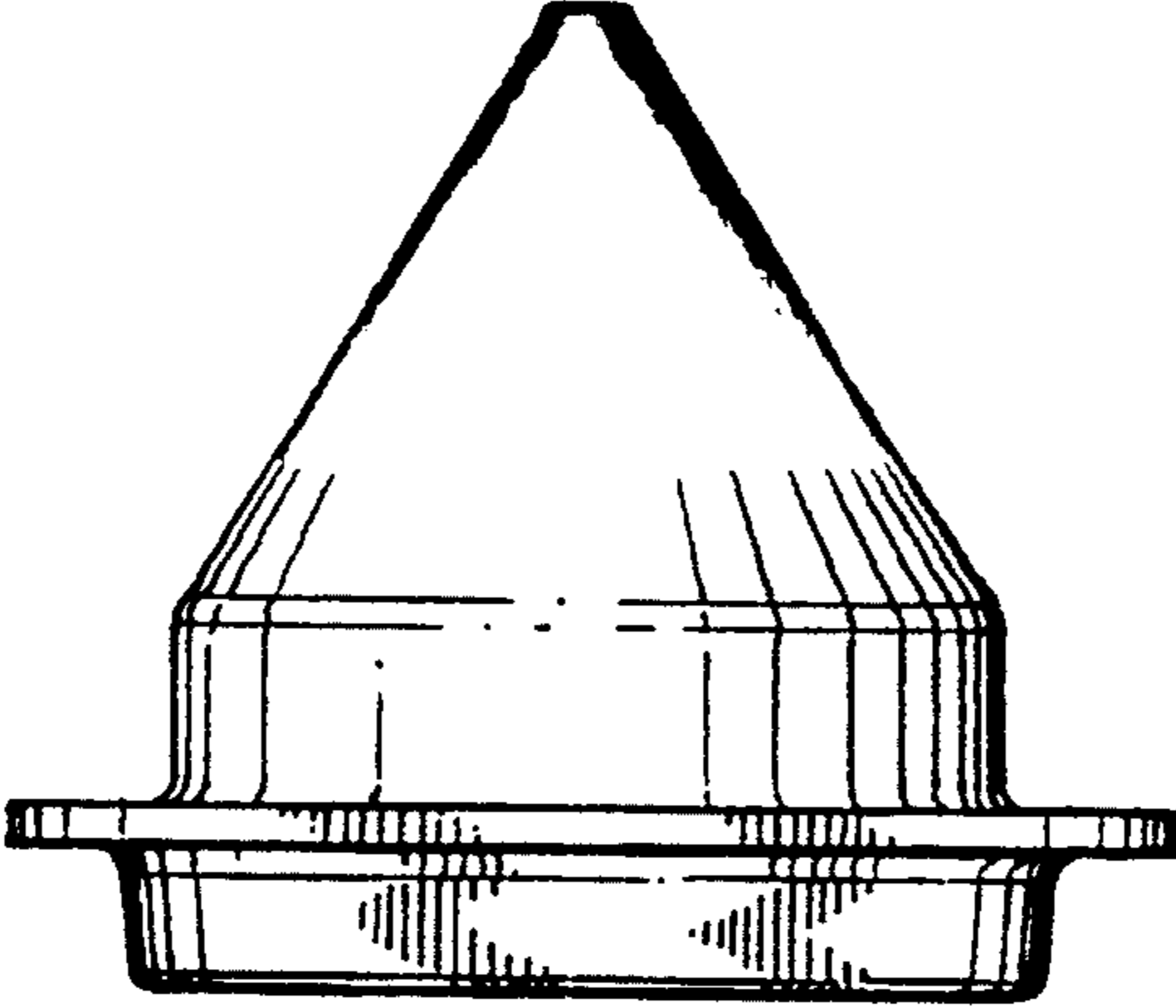


FIG. 5

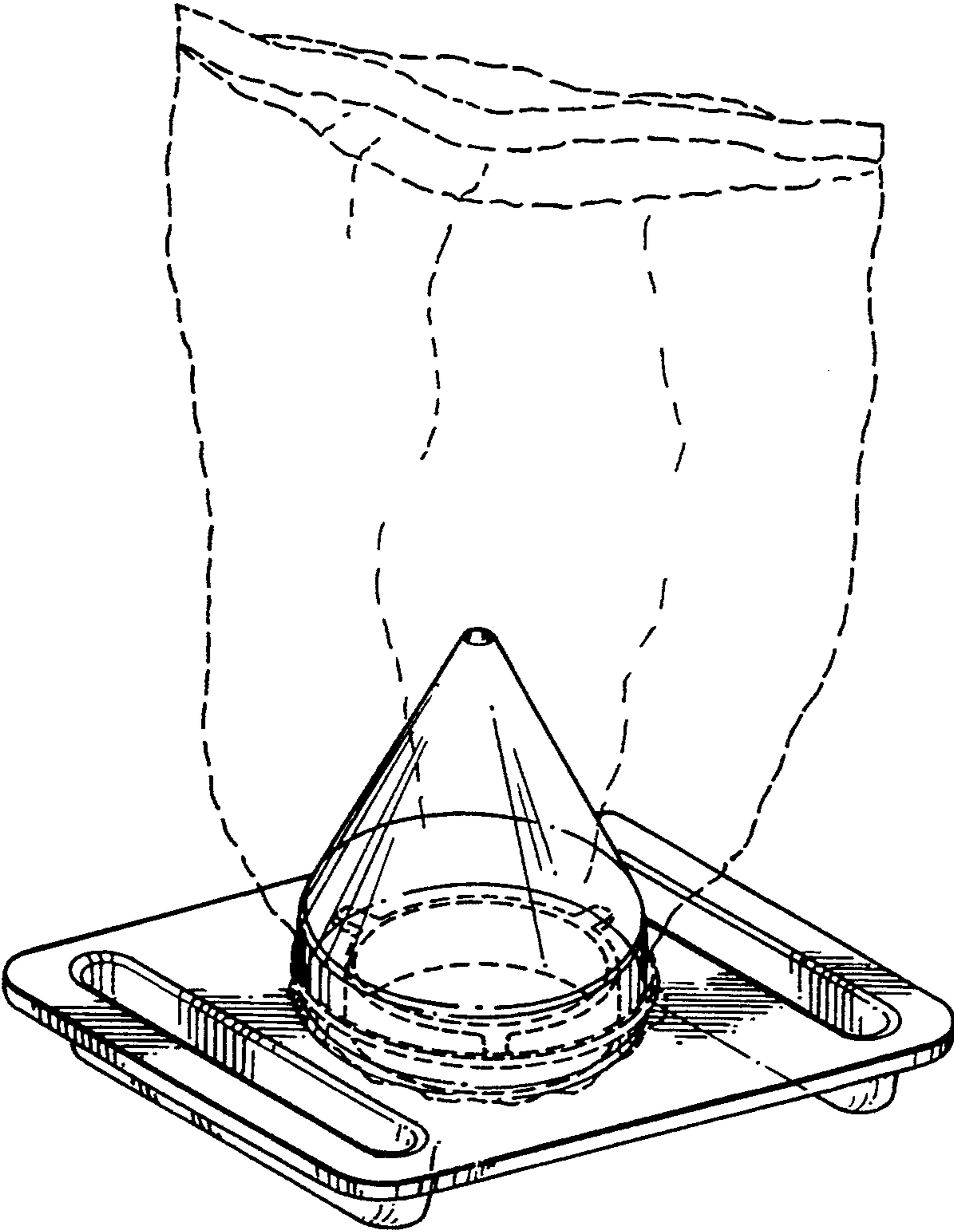


FIG. 6