



US00D350800S

United States Patent [19]

[11] Patent Number: **Des. 350,800**

Ota

[45] Date of Patent: **** Sep. 20, 1994**

[54] IRON-TYPE GOLF CLUBHEAD

[75] Inventor: **Dean Ota**, Irvine, Calif.

[73] Assignee: **Bost Enterprises, Inc.**, Westport, Conn.

[**] Term: **14 Years**

[21] Appl. No.: **781,024**

[22] Filed: **Oct. 18, 1991**

[52] U.S. Cl. **D21/220**

[58] Field of Search 273/167-175;
D21/220

[56] References Cited

U.S. PATENT DOCUMENTS

D. 215,608	10/1969	Lysaght	D21/220
D. 239,550	4/1976	Timbrook	D21/220
2,023,885	12/1935	Hickley .	
2,087,685	7/1937	Hackney .	
2,395,837	3/1946	Baymiller	273/77
3,625,518	12/1971	Solheim	273/175
3,655,188	4/1972	Solheim .	
3,693,978	9/1972	East .	
3,700,244	10/1972	Liotta .	
3,743,297	7/1973	Dennis .	
3,759,527	9/1973	Witherspoon	273/171
3,863,932	2/1975	Lezatte .	
3,975,023	8/1976	Inamori	273/173
3,989,257	11/1976	Barr	273/175
4,023,801	5/1977	Van Auken .	
4,147,349	4/1979	Jeghers .	
4,280,700	7/1981	Plagenhoef .	
4,367,878	1/1983	Schmidt	273/175
4,420,156	12/1983	Campau .	
4,471,961	9/1984	Masghati	273/175
4,521,022	6/1985	Schmidt .	
4,630,825	12/1986	Schmidt et al. .	
4,645,207	2/1987	Teramoto	273/77 A
4,715,601	12/1987	Lamanna	273/77 A
4,725,062	2/1988	Kinney, III .	
4,792,140	12/1988	Yamaguchi	273/173
4,836,545	6/1989	Pompa .	
4,836,550	6/1989	Kobayashi .	
4,848,747	7/1989	Fujimura	273/77 A
4,858,929	8/1989	Long .	
4,883,274	11/1989	Hsien	273/164
4,915,386	4/1990	Antonious .	
5,044,637	9/1991	Wilson .	

OTHER PUBLICATIONS

Golf Club Design Alteration and Repair, Ch. 36, pp. 346-347, 353.

Golf Digest, vol. 16, No. 7, Jul., 1965, pp. 70-75.

Primary Examiner—Melvin B. Feifer

Attorney, Agent, or Firm—Darby & Darby

[57] CLAIM

The ornamental design for an iron-type golf clubhead, as shown and described.

DESCRIPTION

FIG. 1 is a front view of a first embodiment of an iron-type golf clubhead showing my new design;

FIG. 2 is a top view of a first embodiment of an iron-type golf clubhead;

FIG. 3 is a left side view of a first embodiment of an iron-type golf clubhead;

FIG. 4 is a right side view of a first embodiment of an iron-type golf clubhead;

FIG. 5 is a rear view of a first embodiment of an iron-type gold clubhead;

FIG. 6 is a bottom view of a first embodiment of an iron-type golf clubhead;

FIG. 7 is a front view of a second embodiment of an iron-type golf clubhead;

FIG. 8 is a top view of a second embodiment of an iron-type golf clubhead;

FIG. 9 is a left side view of a second embodiment of an iron-type golf clubhead;

FIG. 10 is a right side view of a second embodiment of an iron-type golf clubhead;

FIG. 11 is a rear view of a second embodiment of an iron-type golf clubhead;

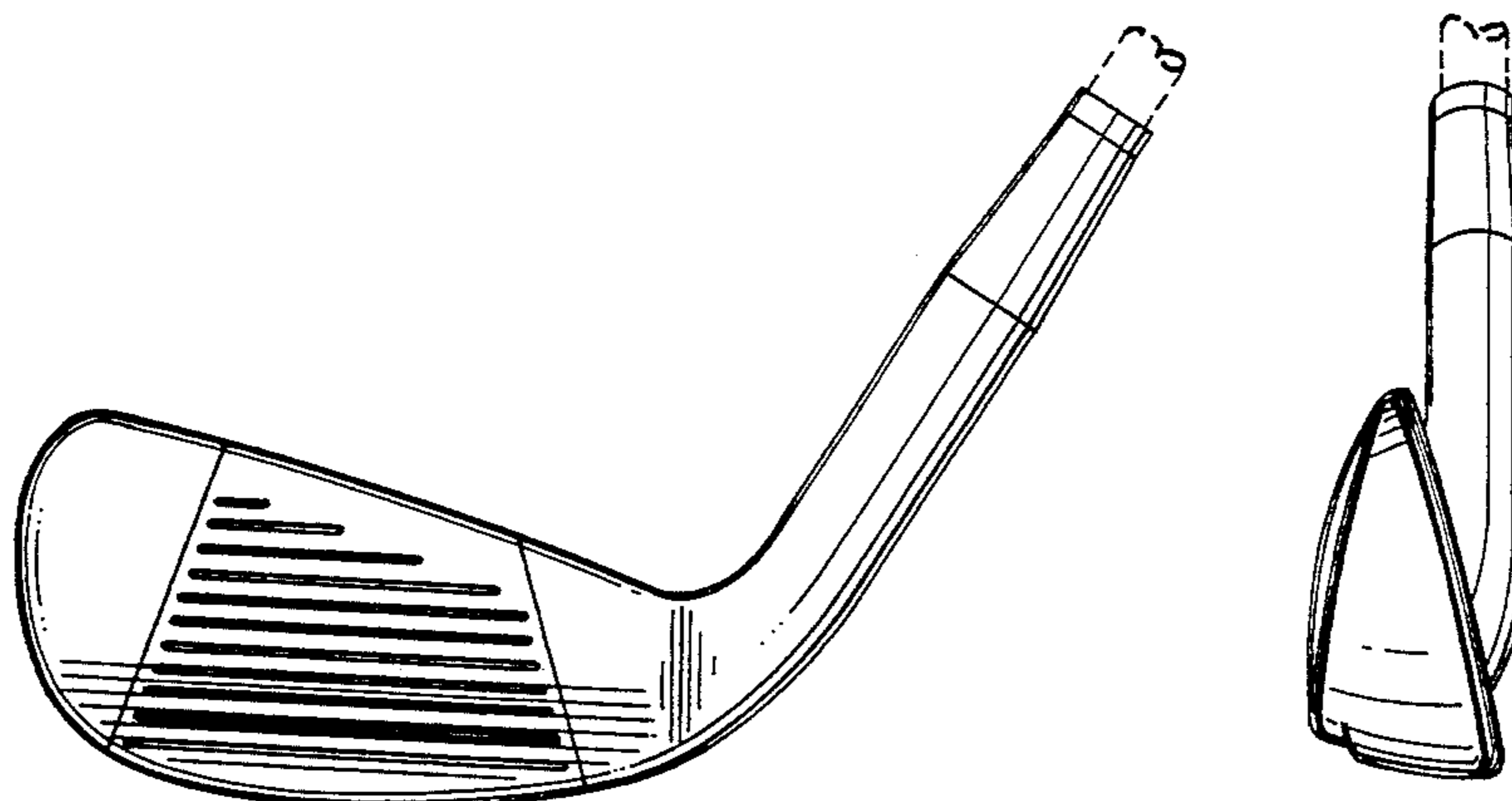
FIG. 12 is a bottom view of a second embodiment of an iron-type golf clubhead;

FIG. 13 is a front view of a third embodiment of an iron-type golf clubhead;

FIG. 14 is a top view of a third embodiment of an iron-type golf clubhead;

FIG. 15 is a left side view of a third embodiment of an iron-type golf clubhead;

(DESCRIPTIONS continued on next page.)



DESCRIPTION

FIG. 16 is a right side view of a third embodiment of an iron-type golf clubhead;

FIG. 17 is a rear view of a third embodiment of an iron-type golf clubhead;

FIG. 18 is a bottom view of a third embodiment of an iron-type golf clubhead;

FIG. 19 is a front view of a fourth embodiment of an iron-type golf clubhead;

FIG. 20 is a top view of a fourth embodiment of an iron-type golf clubhead;

FIG. 21 is a left side view of a fourth embodiment of an iron-type golf clubhead;

FIG. 22 is a right side view of a fourth embodiment of an iron-type golf clubhead;

FIG. 23 is a rear view of a fourth embodiment of an iron-type golf clubhead;

FIG. 24 is a bottom view of a fourth embodiment of an iron-type golf clubhead;

FIG. 25 is a front view of a fifth embodiment of an iron-type golf clubhead;

FIG. 26 is a top view of a fifth embodiment of an iron-type golf clubhead;

FIG. 27 is a left side view of a fifth embodiment of an iron-type golf clubhead;

FIG. 28 is a right side view of a fifth embodiment of an iron-type golf clubhead;

FIG. 29 is a rear view of a fifth embodiment of an iron-type gold clubhead;

FIG. 30 is a bottom view of a fifth embodiment of an iron-type golf clubhead;

FIG. 31 is a front view of a sixth embodiment of an iron-type golf clubhead;

FIG. 32 is a top view of a sixth embodiment of an iron-type golf clubhead;

FIG. 33 is a left side view of a sixth embodiment of an iron-type golf clubhead;

FIG. 34 is a right side view of a sixth embodiment of an iron-type golf clubhead;

FIG. 35 is a rear view of a sixth embodiment of an iron-type golf clubhead;

FIG. 36 is a bottom view of a sixth embodiment of an iron-type golf clubhead;

FIG. 37 is a front view of a seventh embodiment of an iron-type golf clubhead;

FIG. 38 is a top view of a seventh embodiment of an iron-type golf clubhead;

FIG. 39 is a left side view of a seventh embodiment of an iron-type golf clubhead;

FIG. 40 is a right side view of a seventh embodiment of an iron-type golf clubhead;

FIG. 41 is a rear side view of a seventh embodiment of an iron-type golf clubhead;

FIG. 42 is a bottom view of a seventh embodiment of an iron-type golf clubhead;

FIG. 43 is a front view of an eighth embodiment of an iron-type golf clubhead;

FIG. 44 is a top view of an eighth embodiment of an iron-type golf clubhead;

FIG. 45 is a left side view of an eighth embodiment of an iron-type golf clubhead;

FIG. 46 is a right side view of an eighth embodiment of an iron-type golf clubhead;

FIG. 47 is a rear view of an eighth embodiment of an iron-type golf clubhead;

FIG. 48 is a bottom view of an eighth embodiment of an iron-type golf clubhead;

FIG. 49 is a front view of a ninth embodiment of an iron-type golf clubhead;

FIG. 50 is a top view of a ninth embodiment of an iron-type golf clubhead;

FIG. 51 is a left side view of a ninth embodiment of an iron-type golf clubhead;

FIG. 52 is a right side view of a ninth embodiment of an iron-type golf clubhead;

FIG. 53 is a rear view of a ninth embodiment of an iron-type golf clubhead; and,

FIG. 54 is a bottom view of a ninth embodiment of an iron-type golf clubhead.

The broken line showing a fragmented shaft is for illustration purposes only.

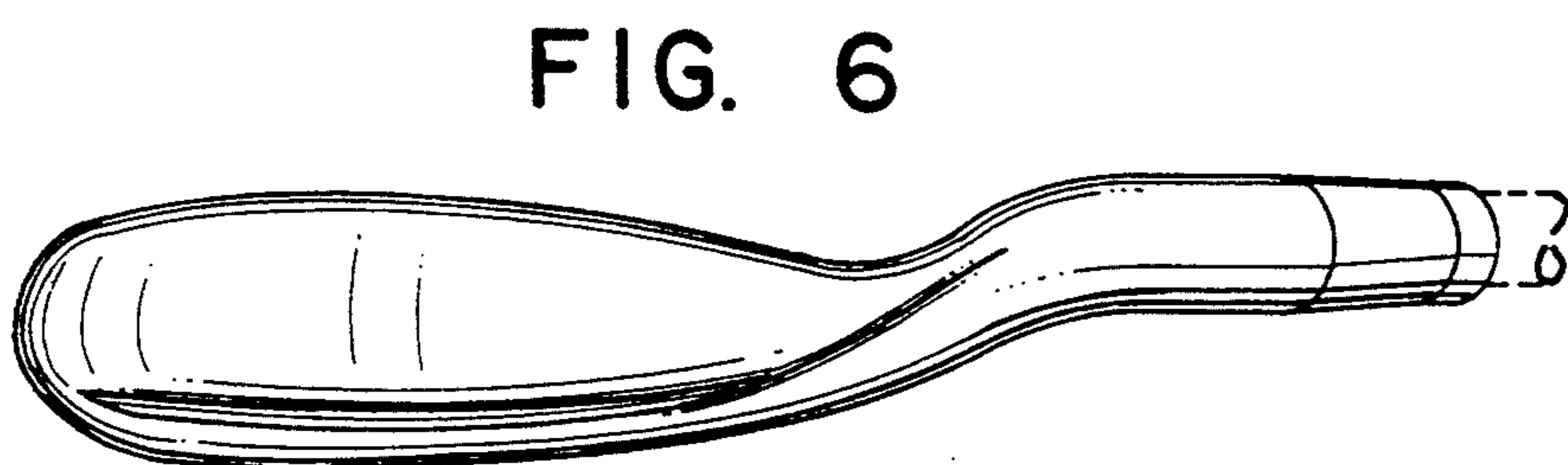
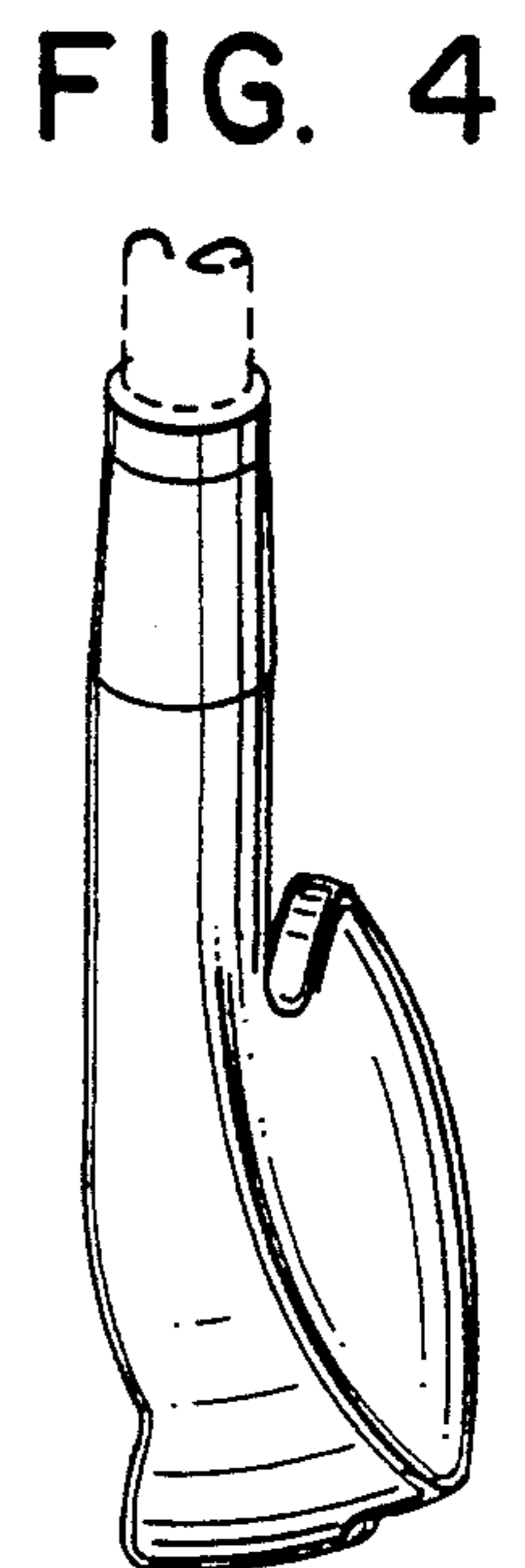
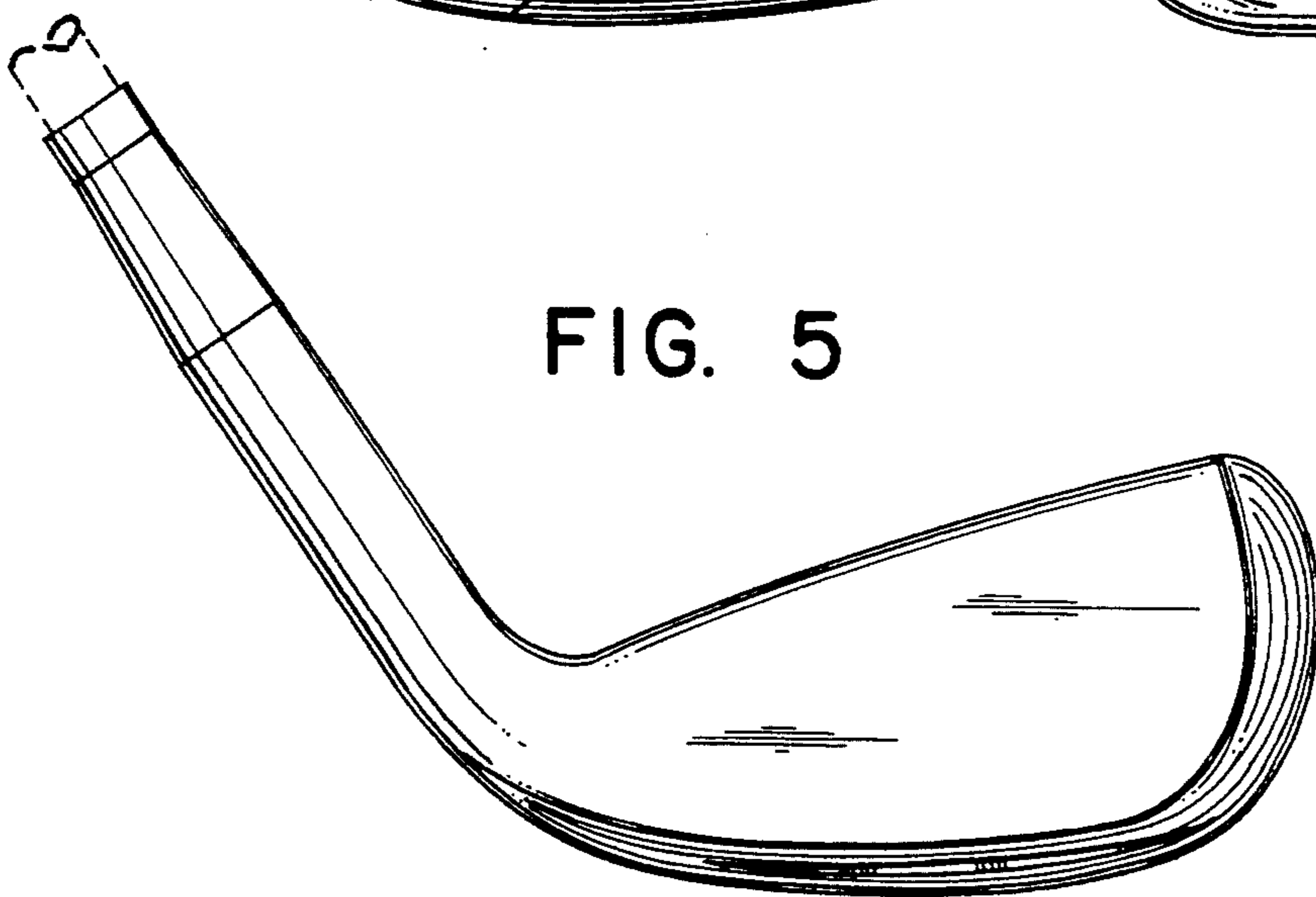
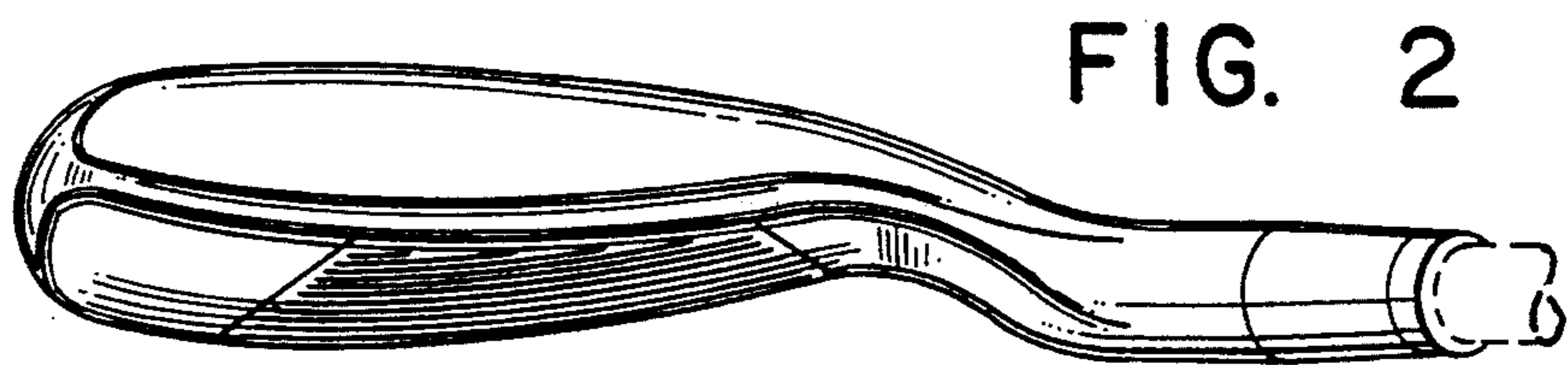
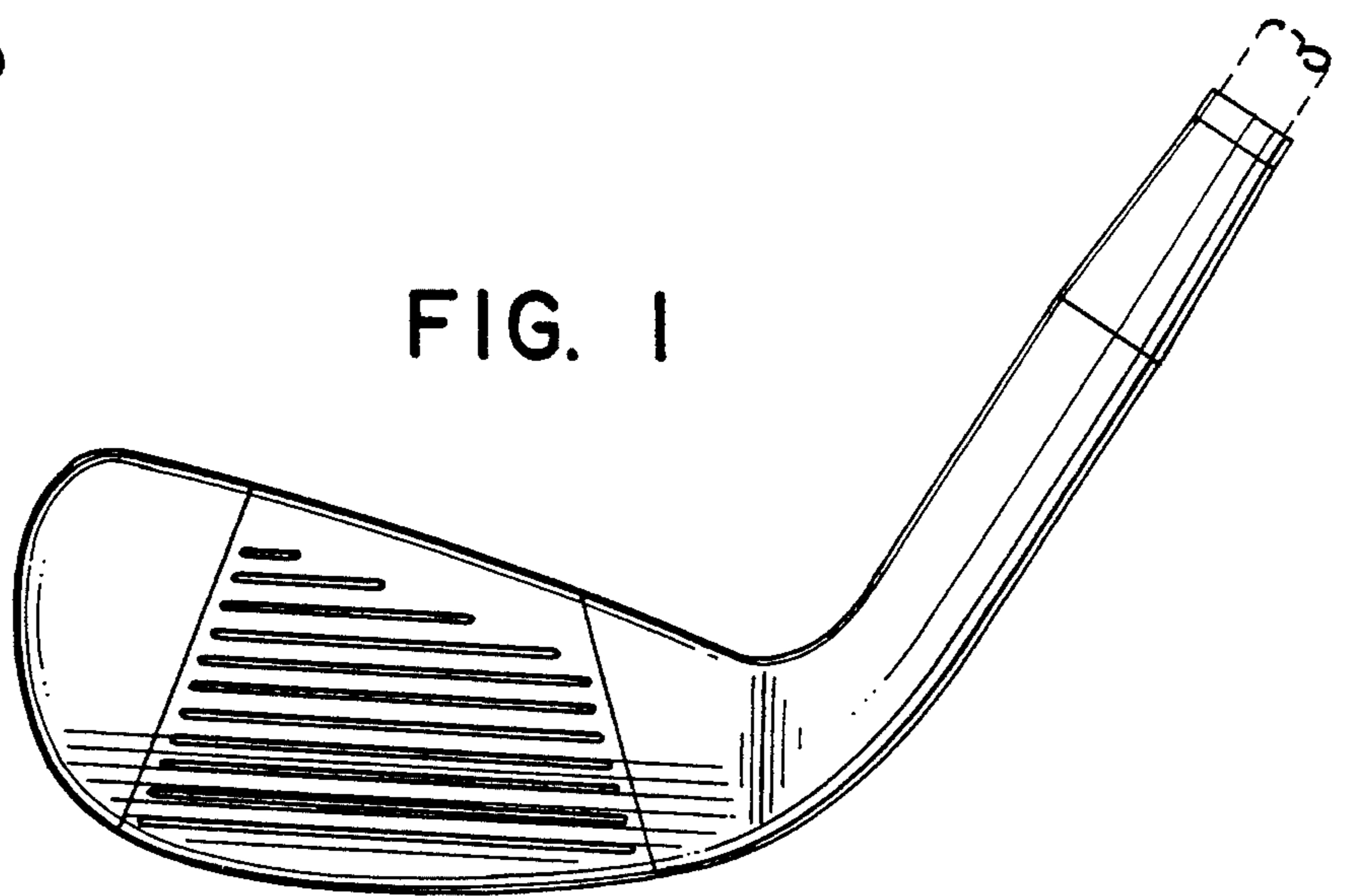
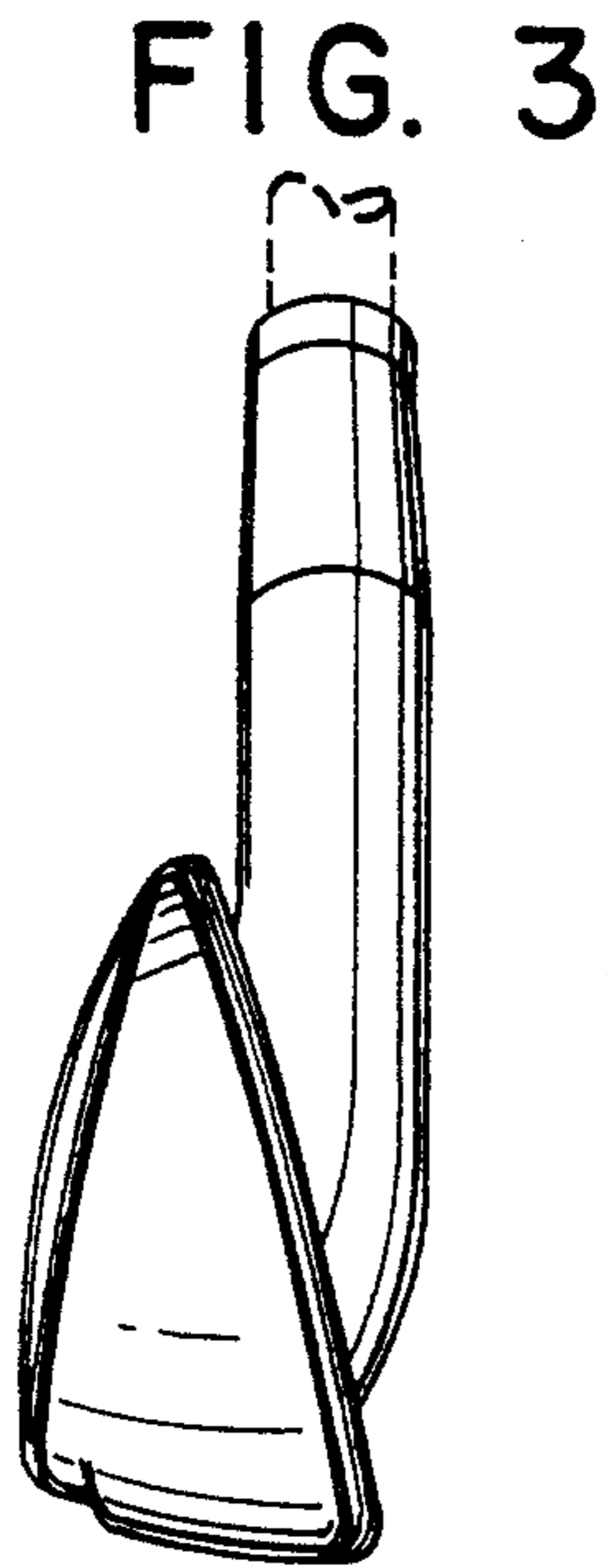


FIG. 9

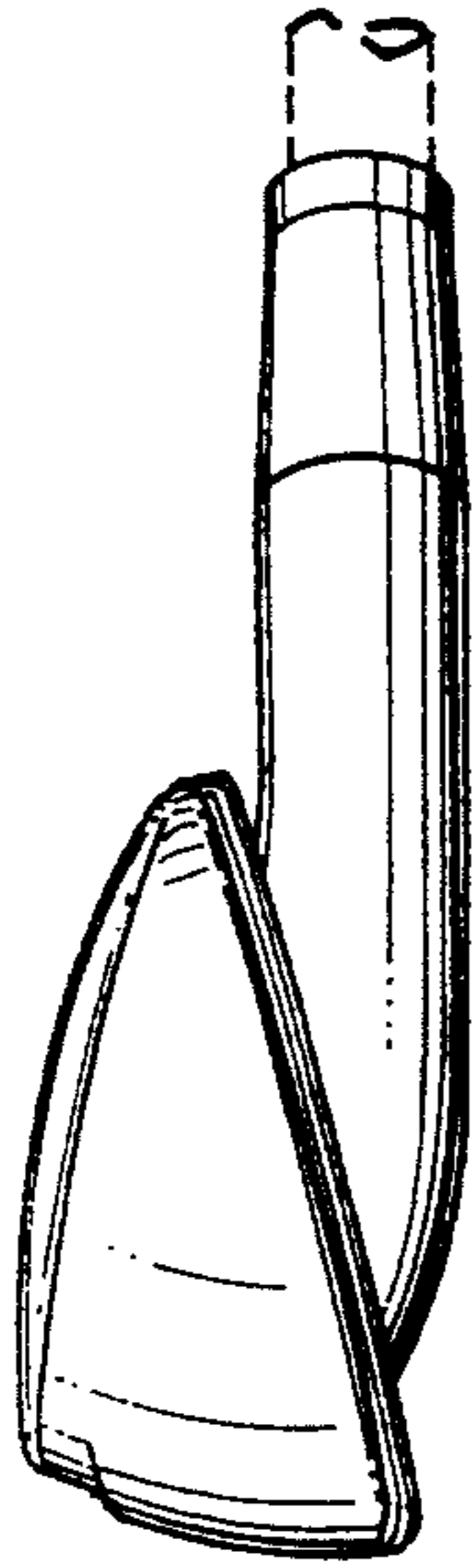


FIG. 7

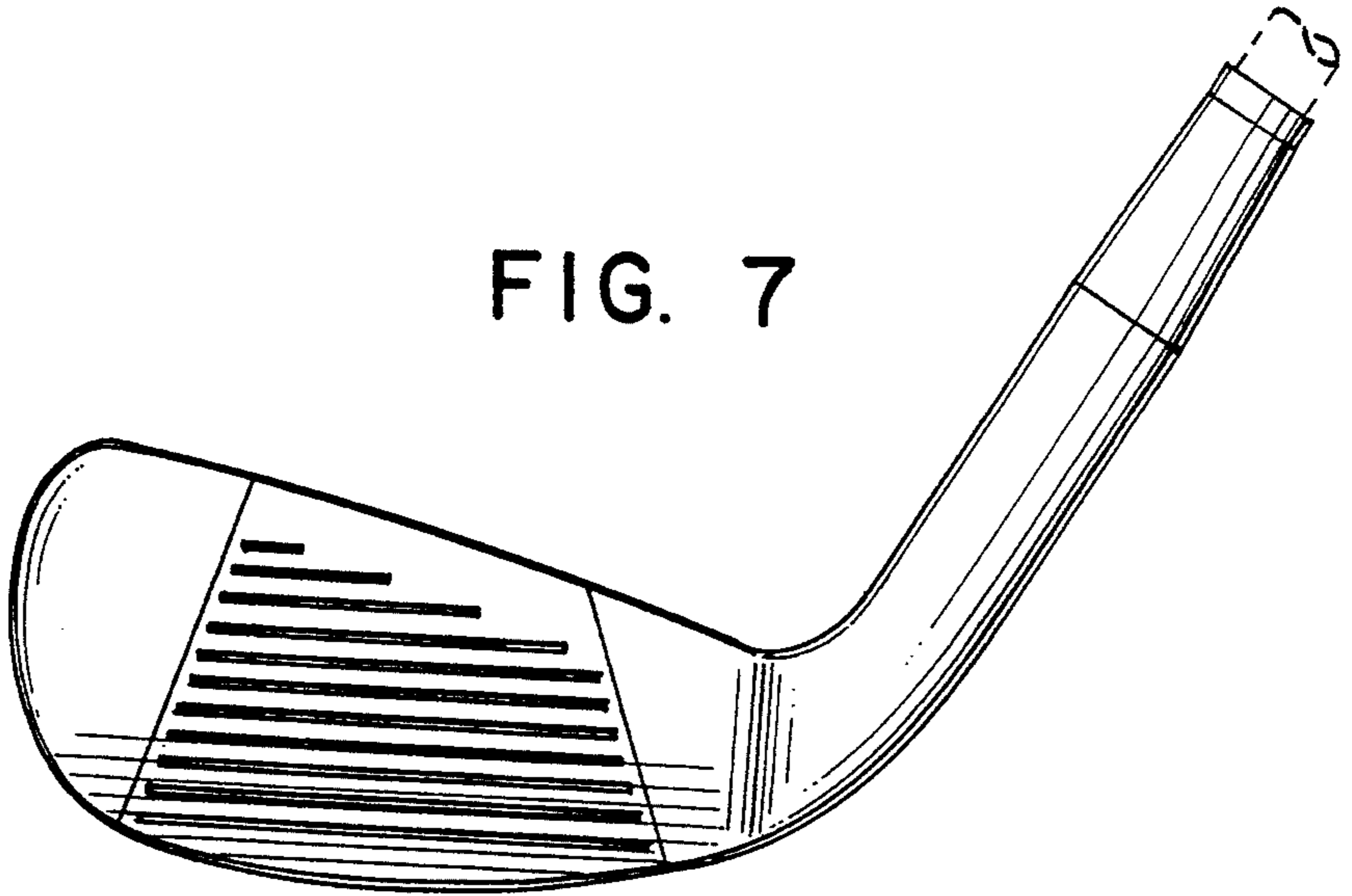


FIG. 8

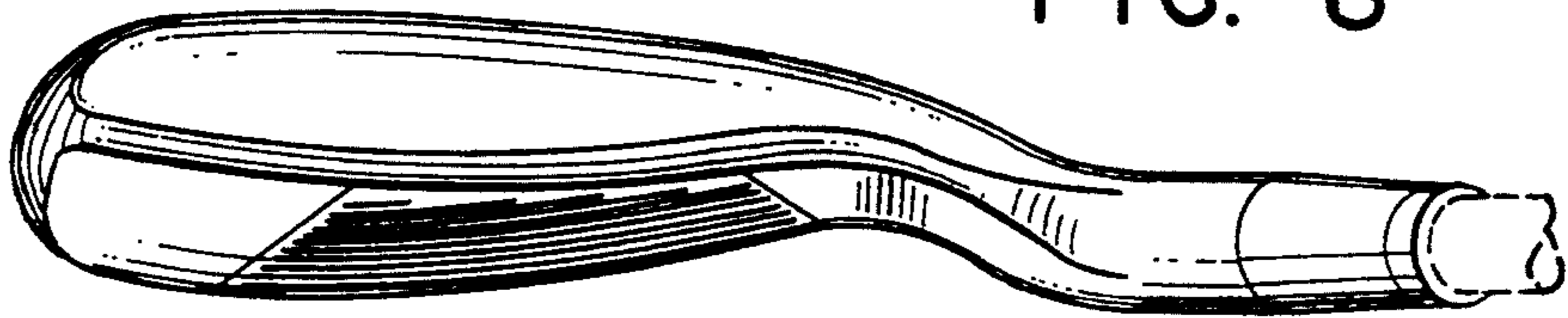


FIG. 10

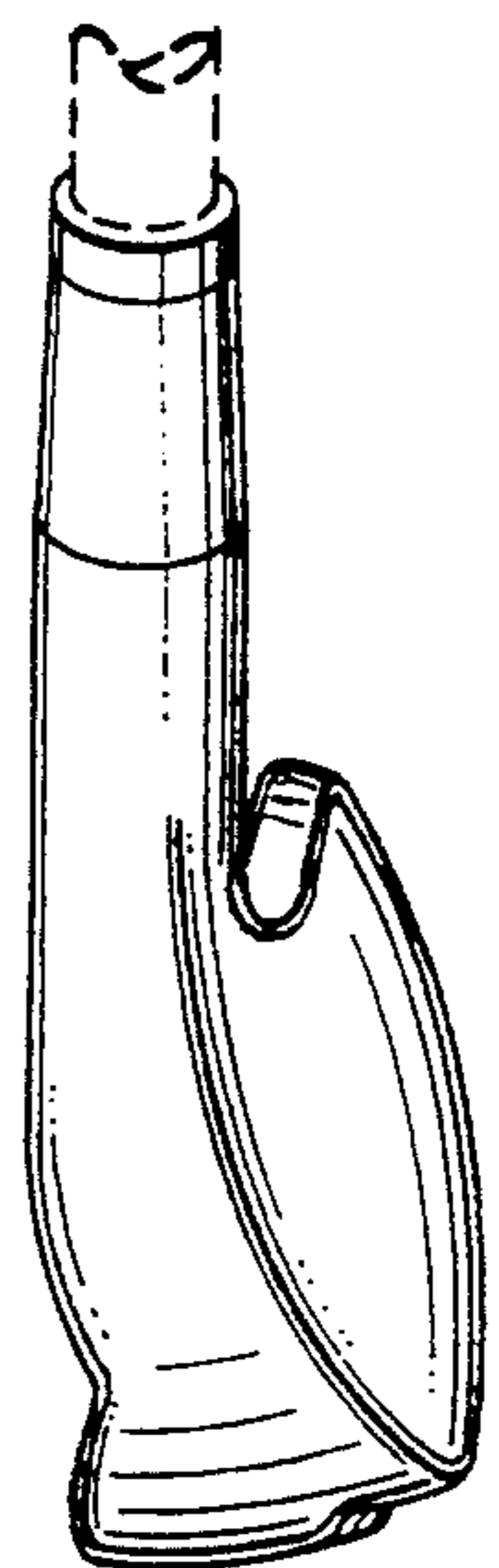


FIG. 11

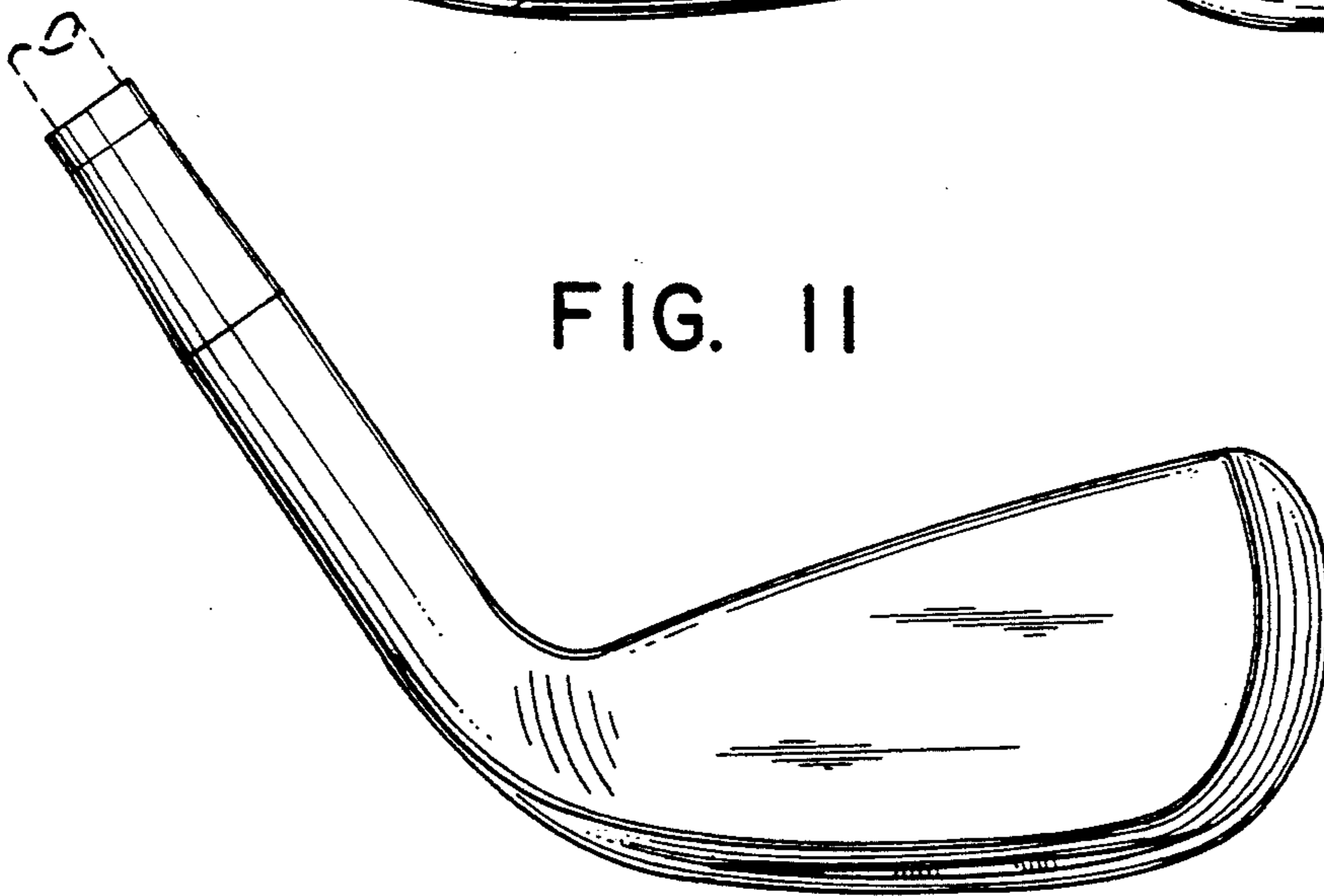


FIG. 12



FIG. 15

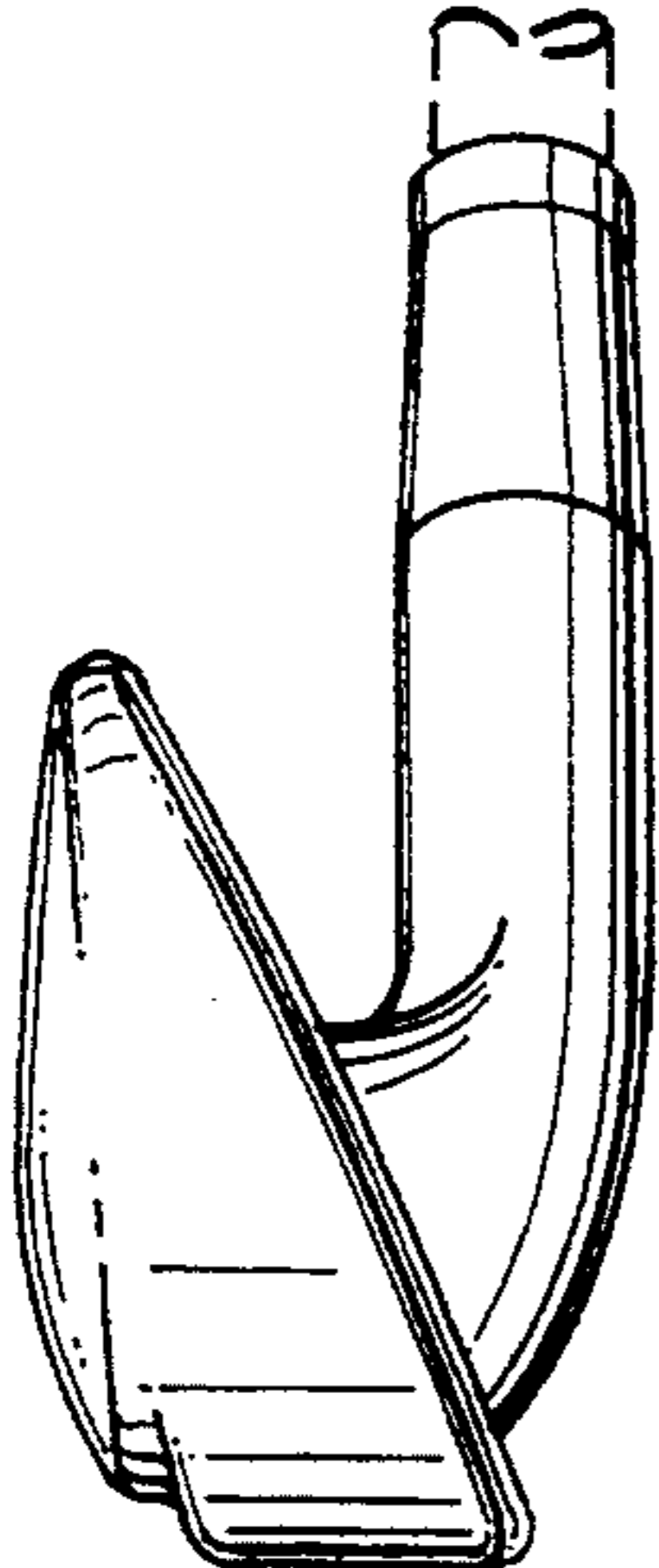


FIG. 13

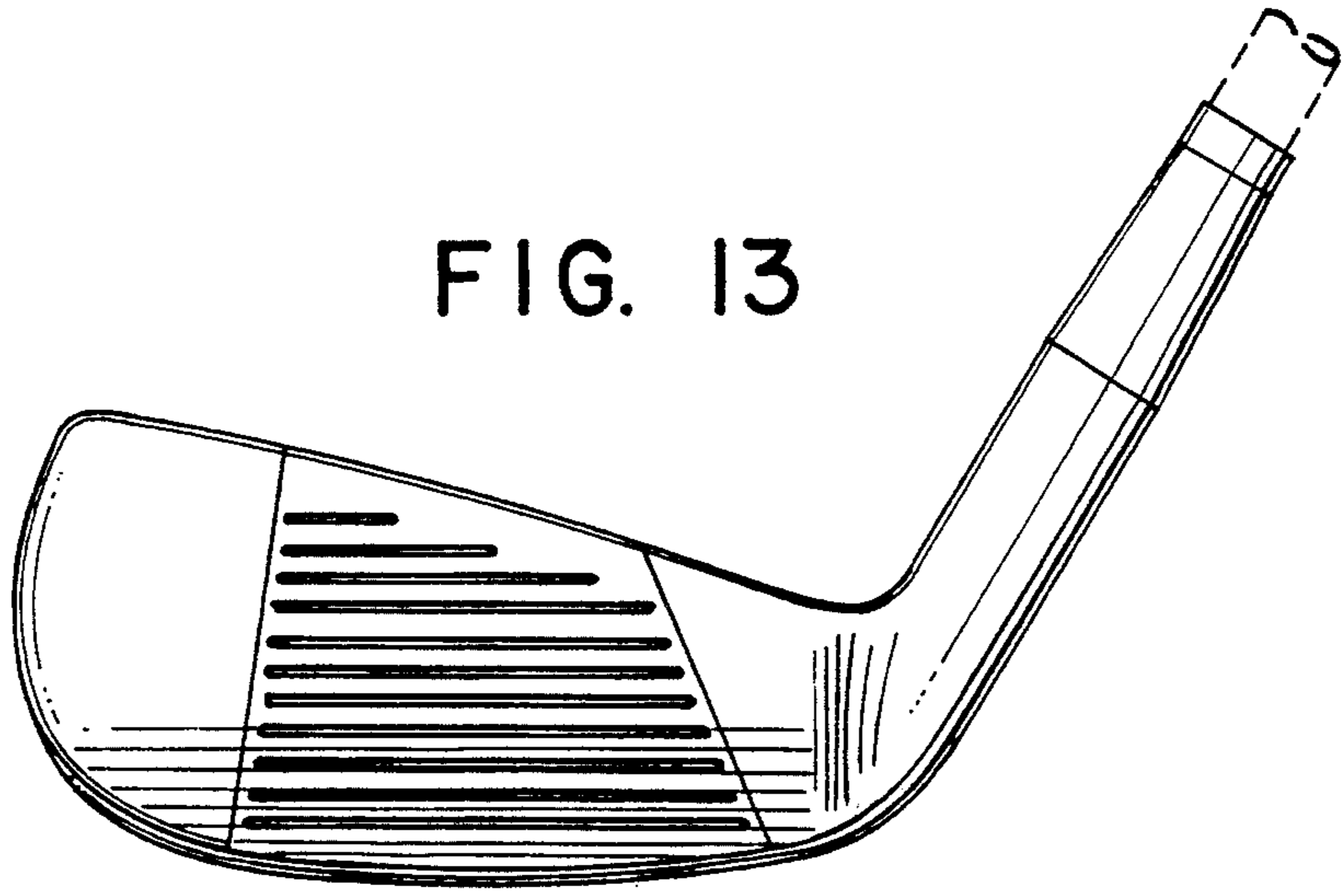


FIG. 14

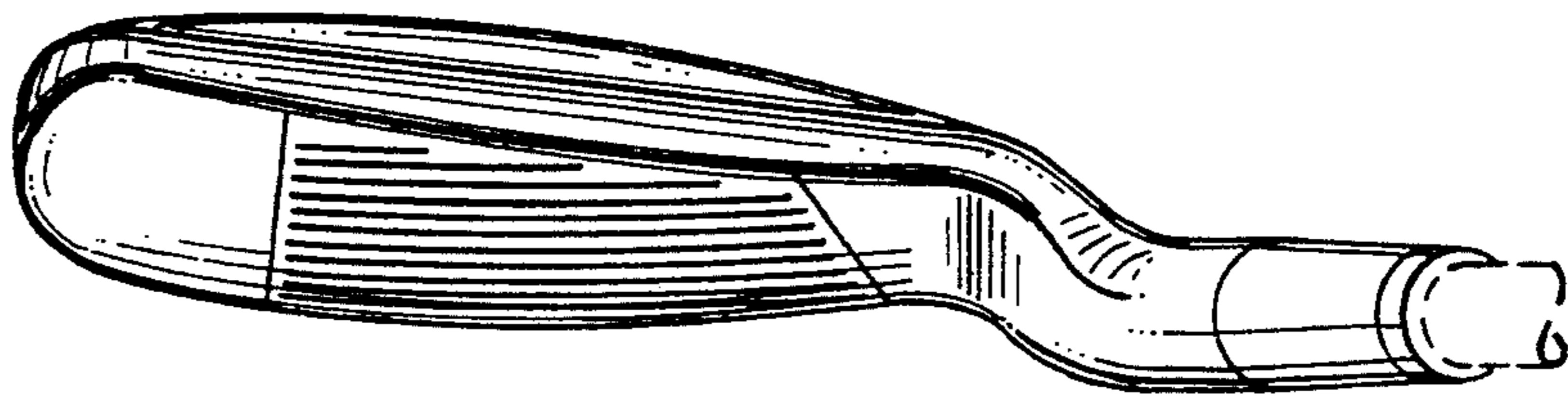


FIG. 16

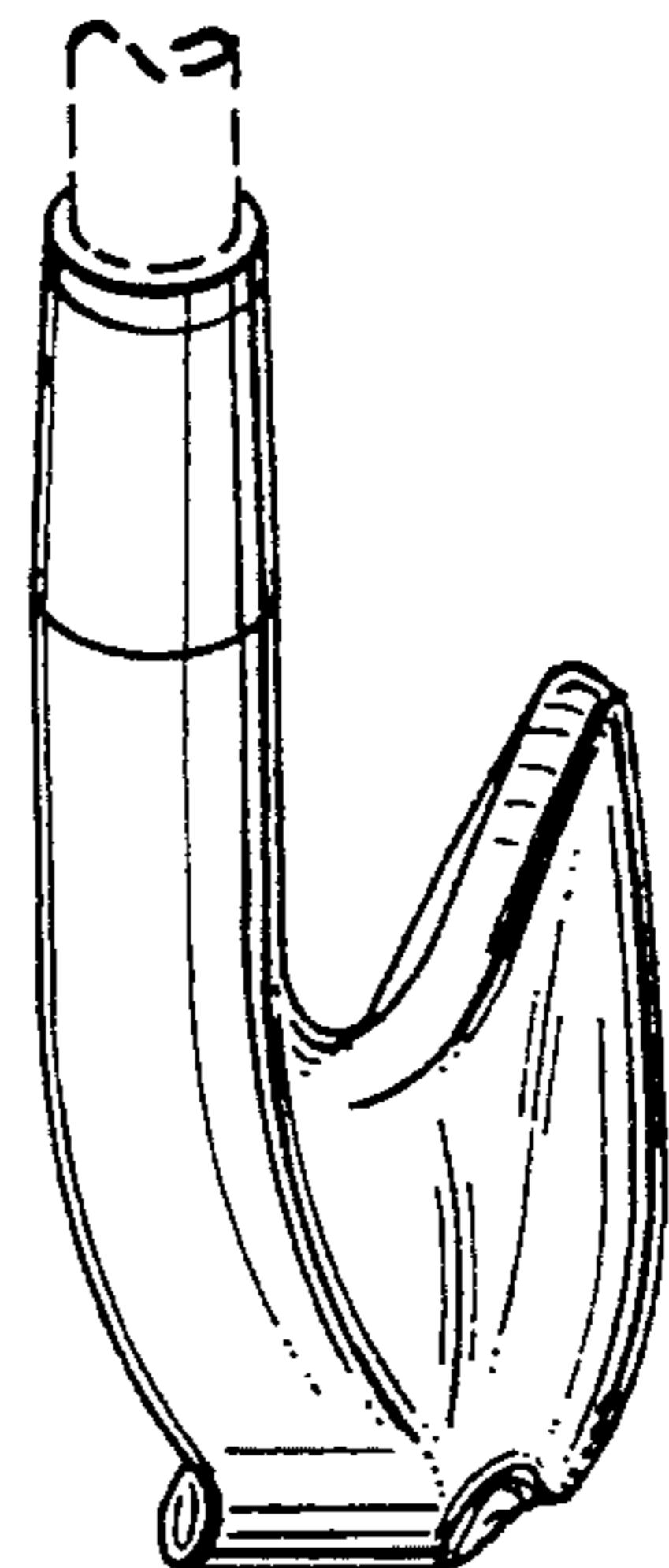


FIG. 17

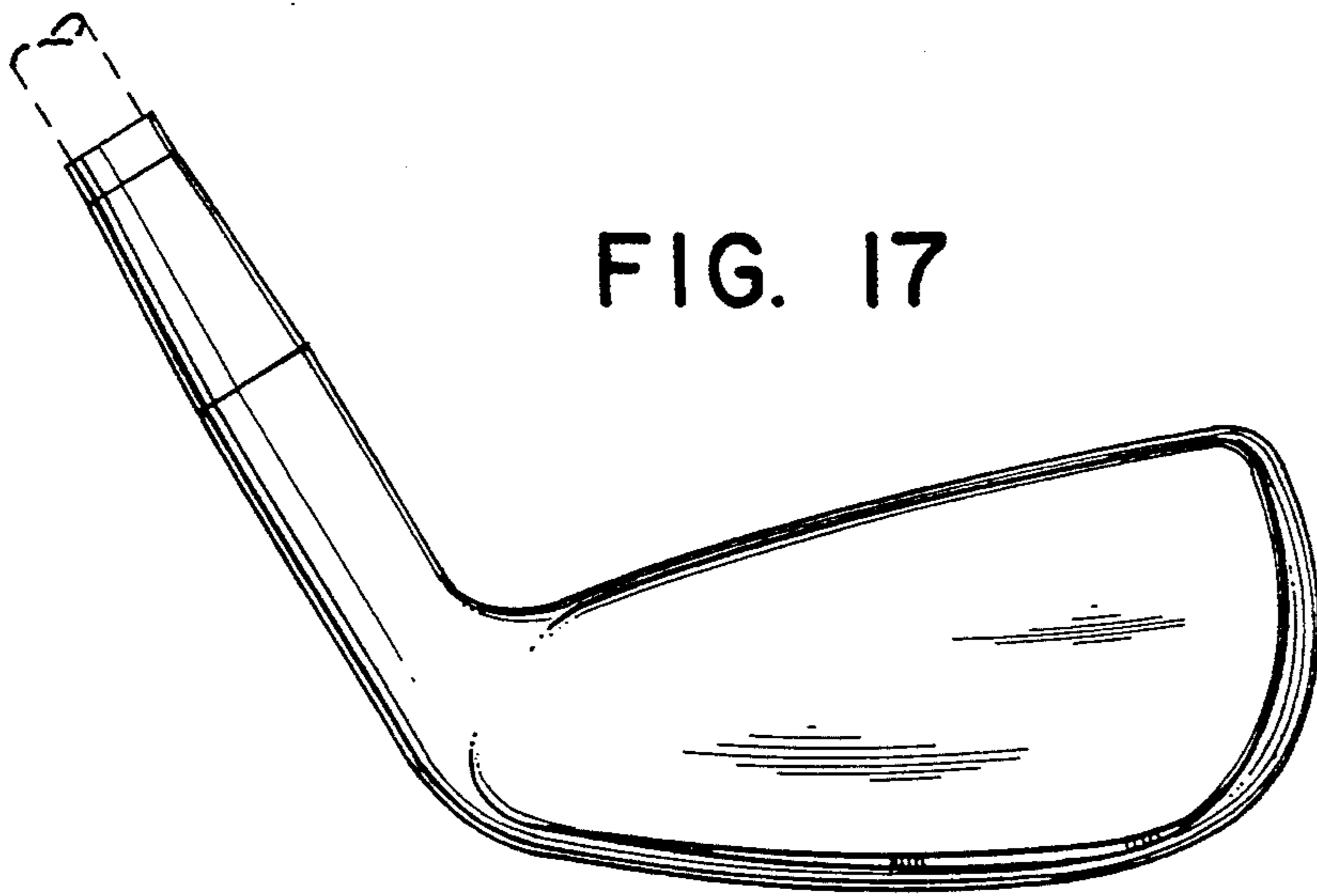


FIG. 18

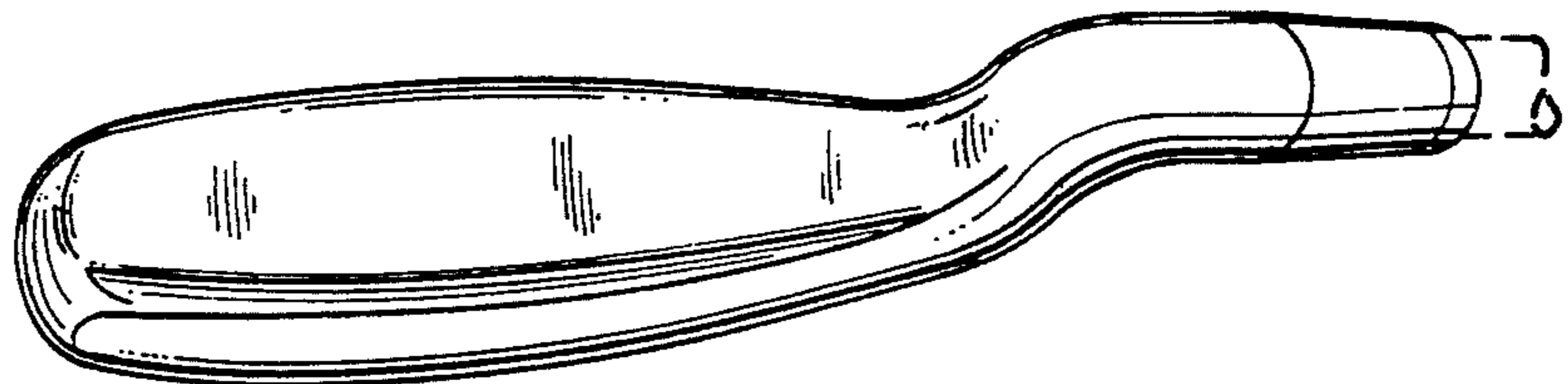


FIG. 21

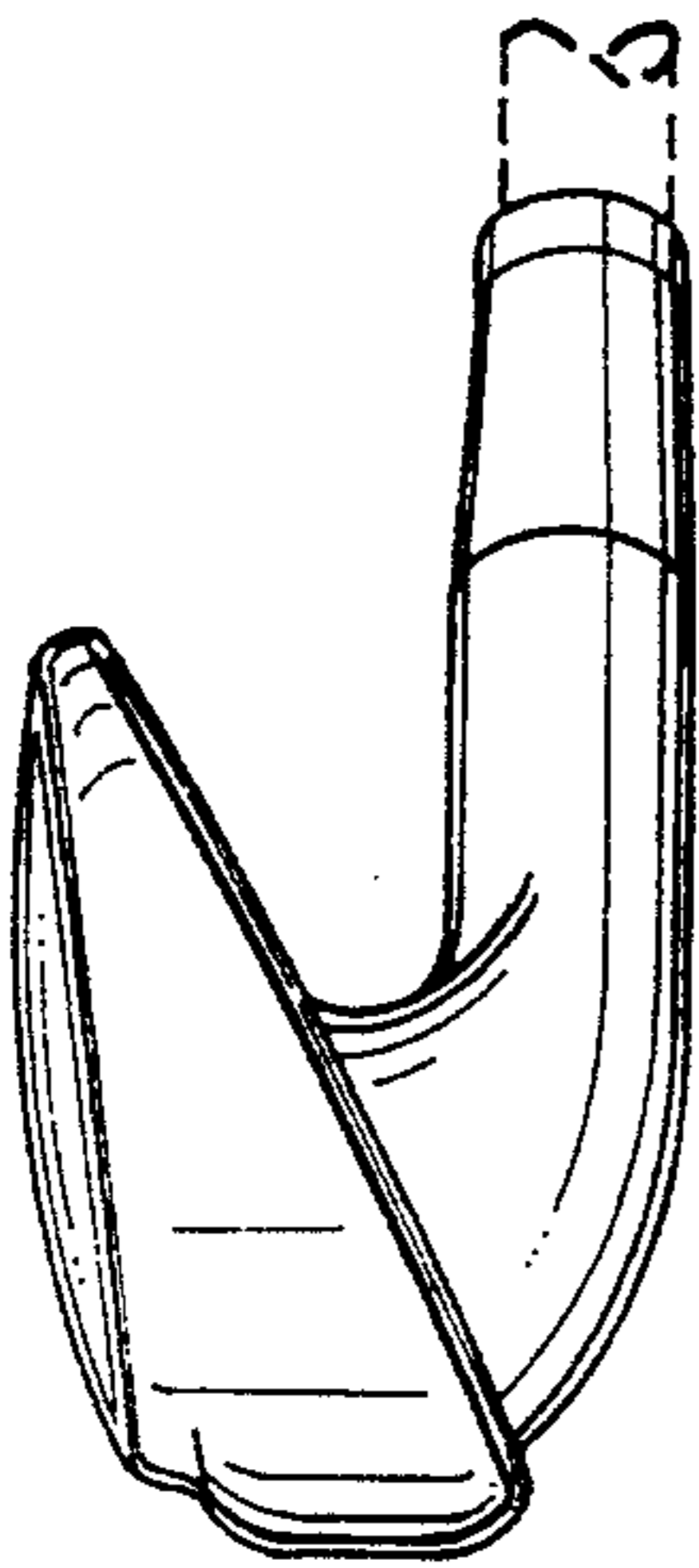


FIG. 19

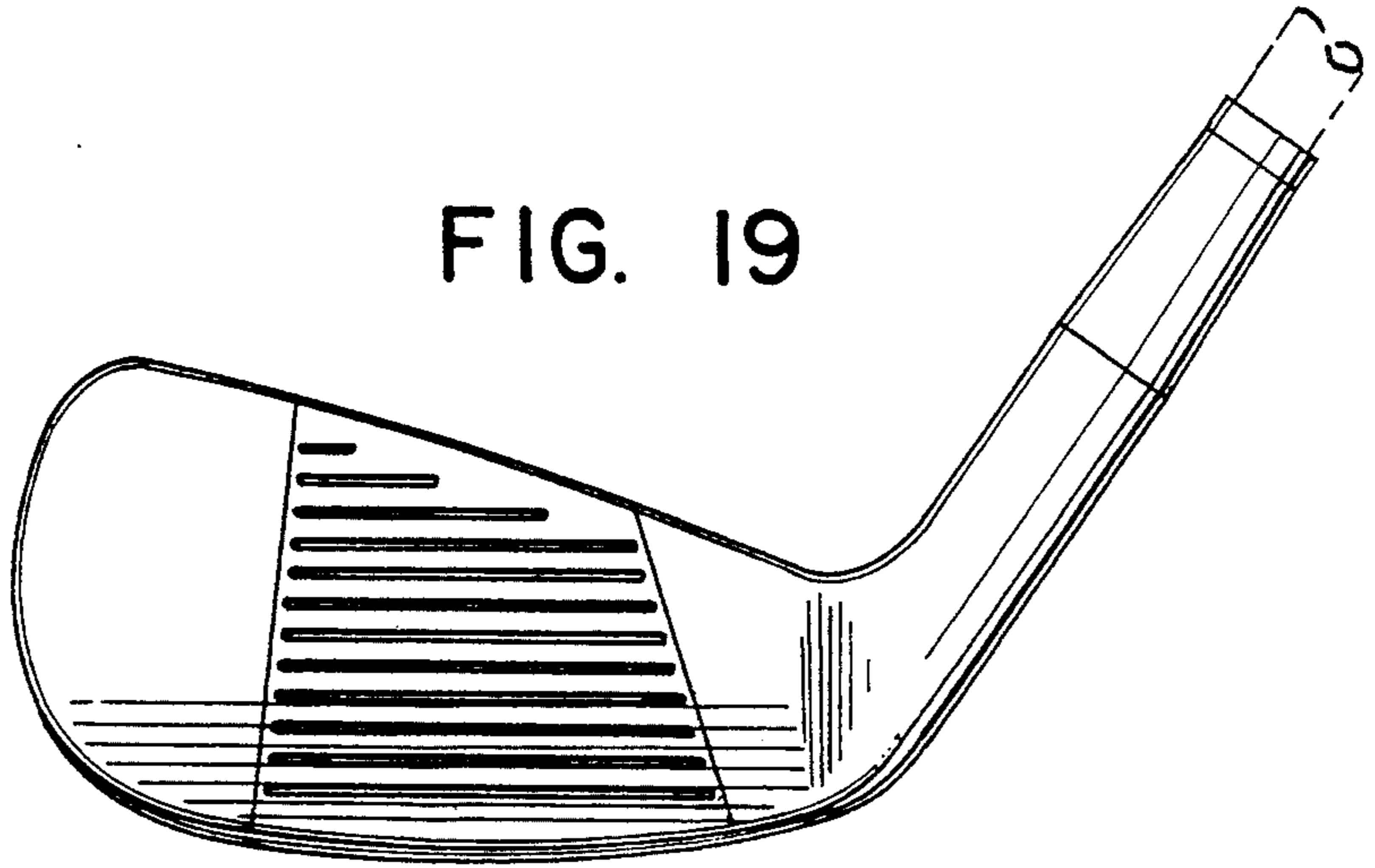


FIG. 20

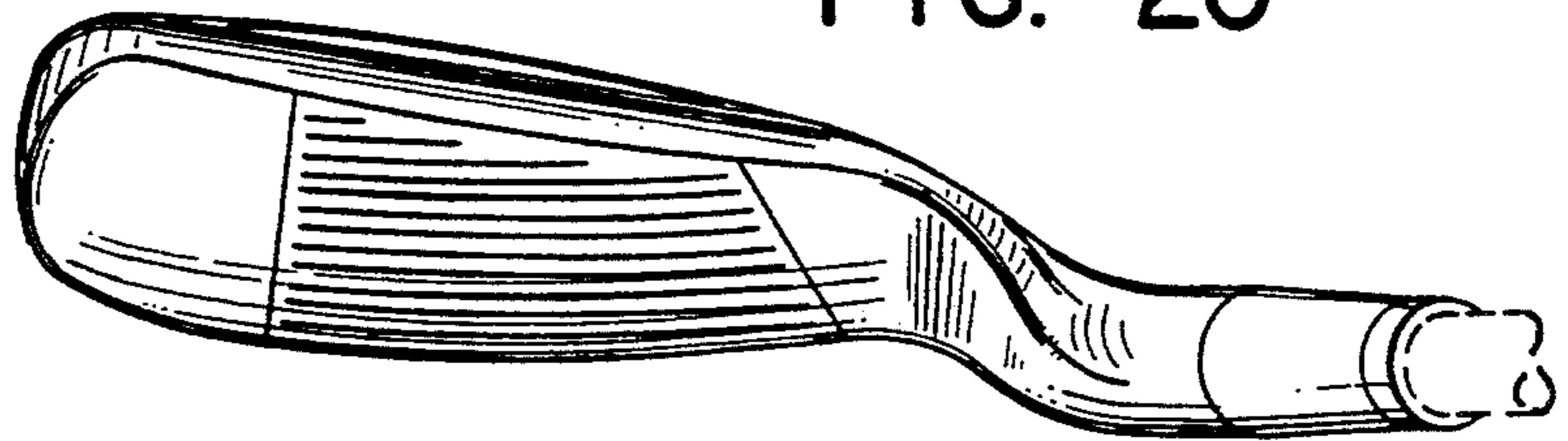


FIG. 22

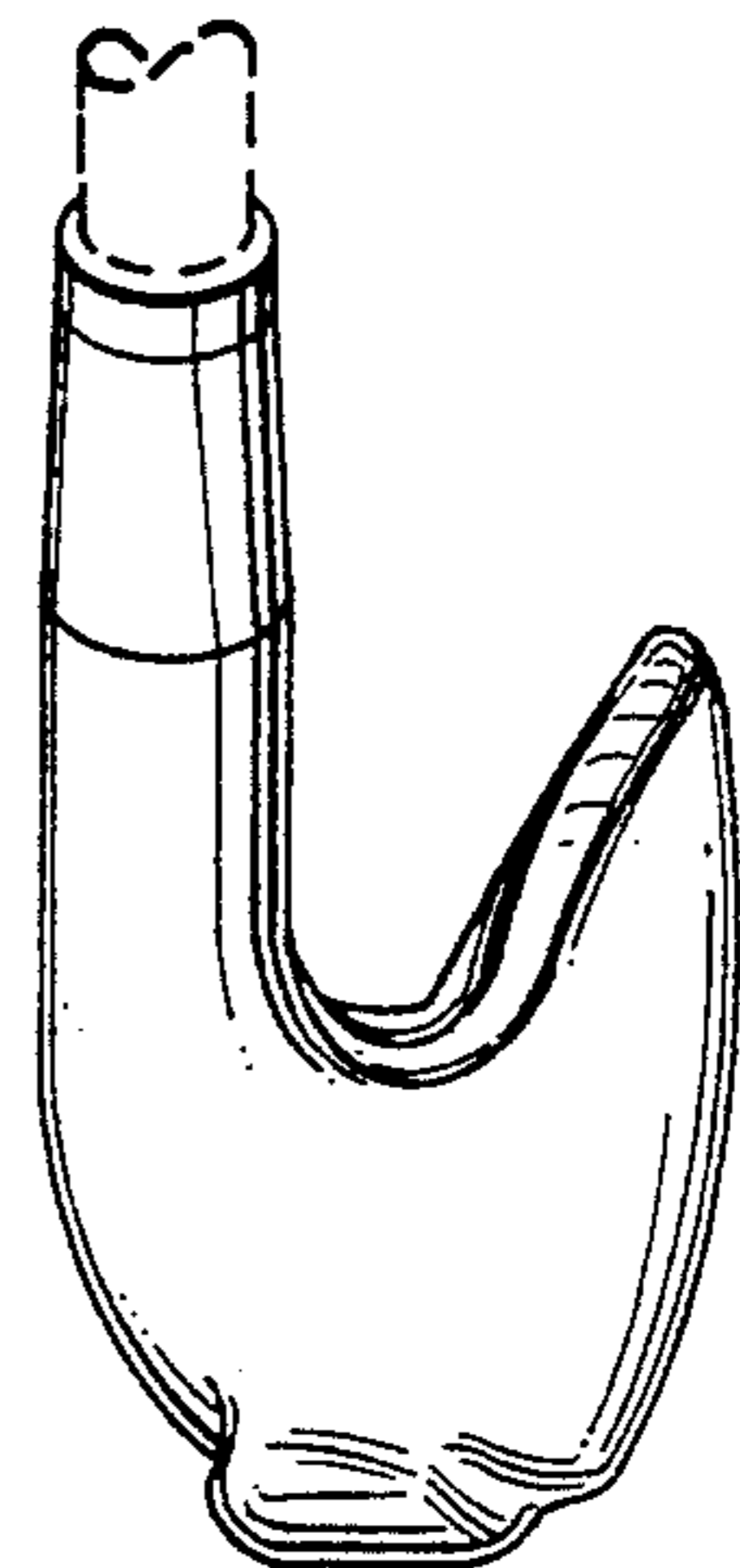


FIG. 23

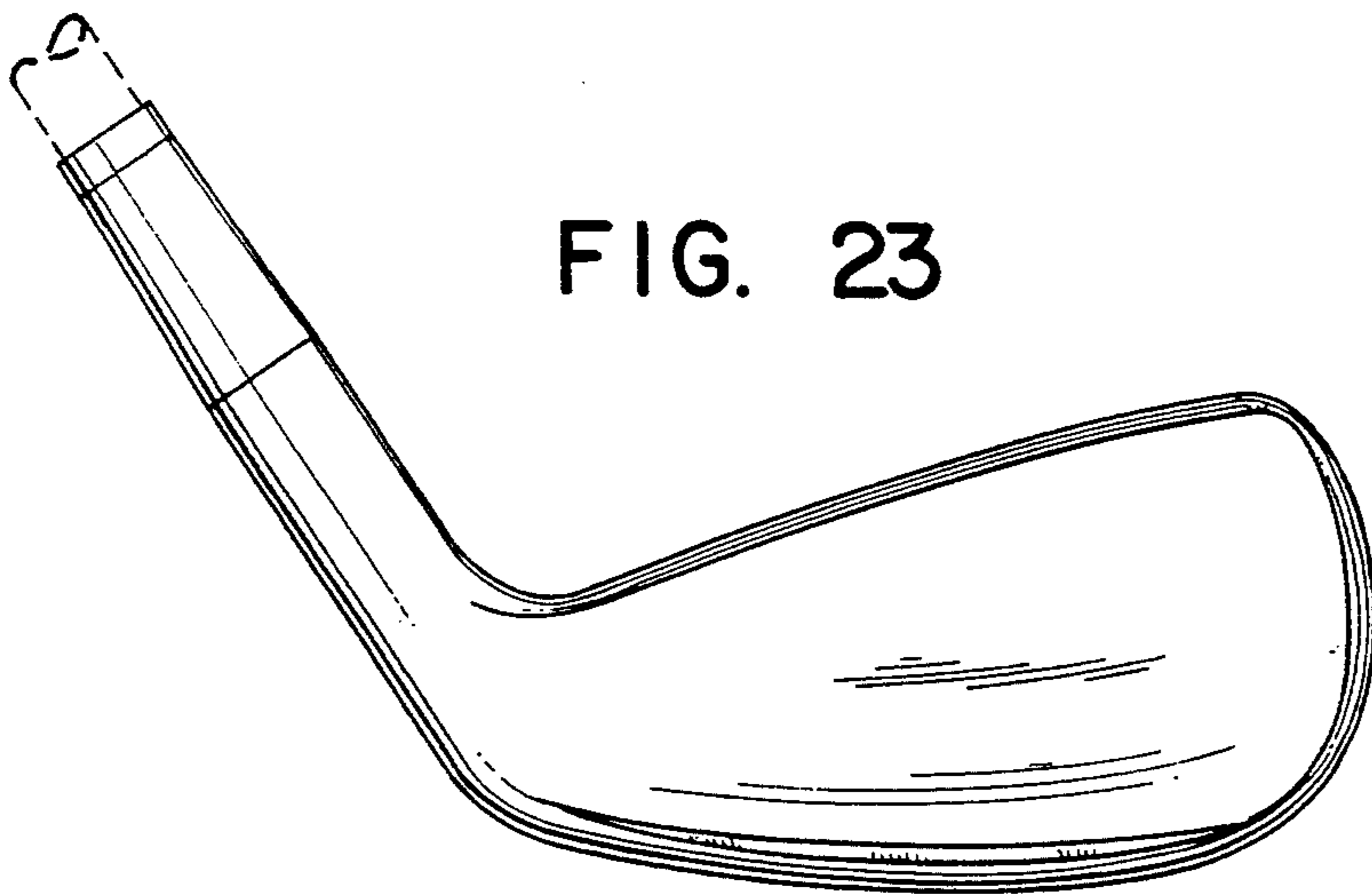


FIG. 24

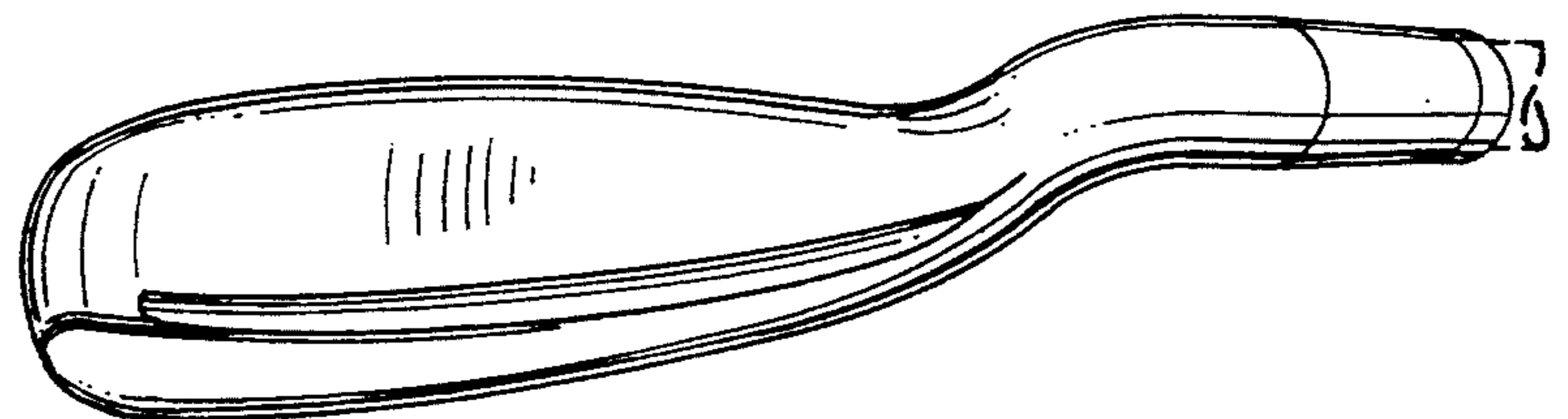


FIG. 27

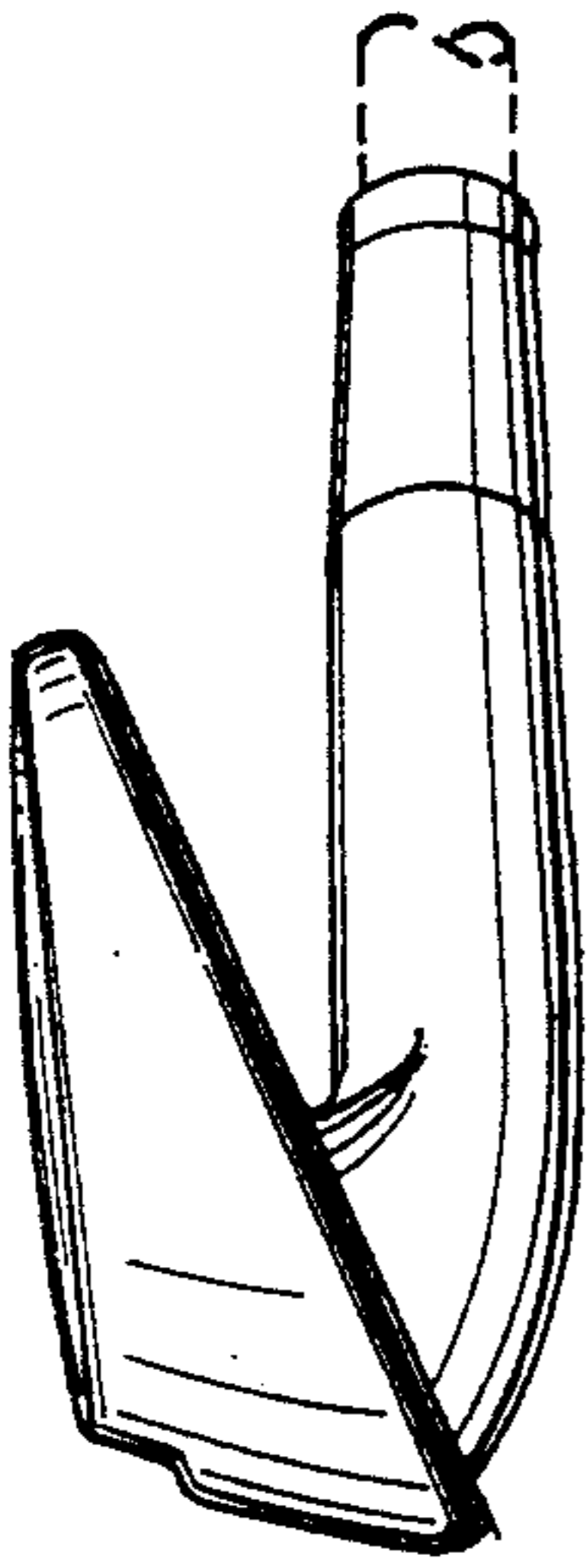


FIG. 25

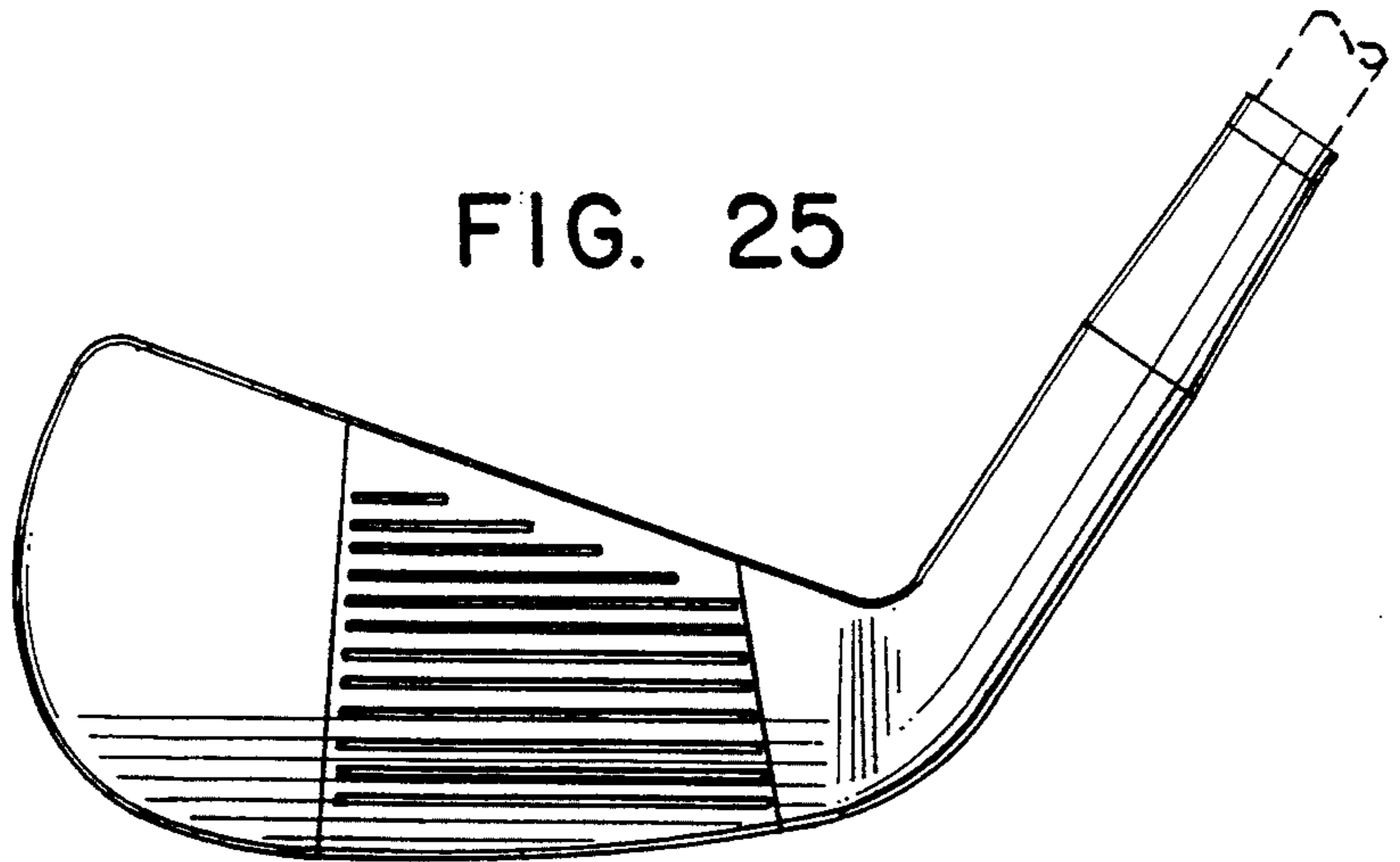


FIG. 26

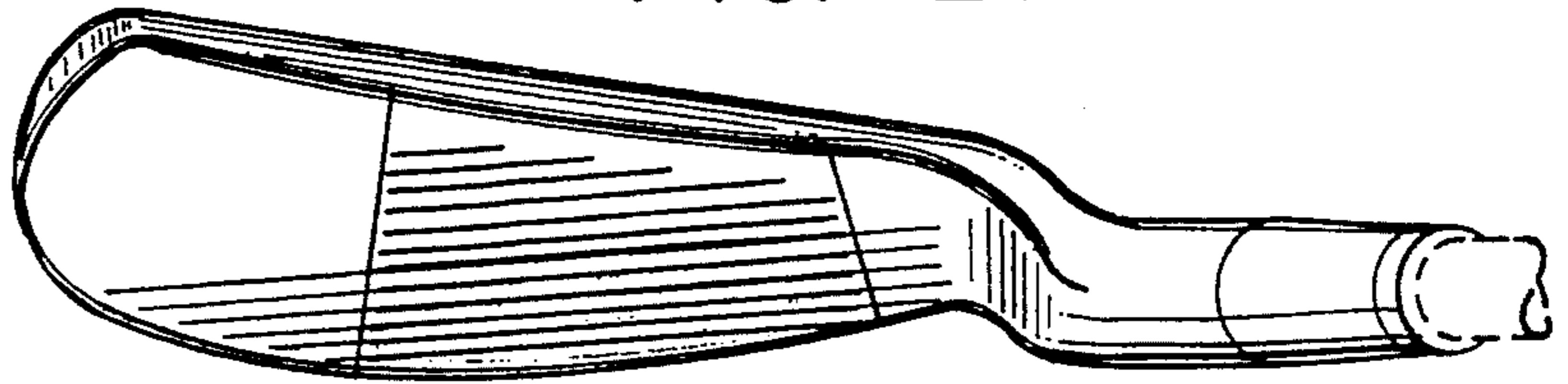


FIG. 29

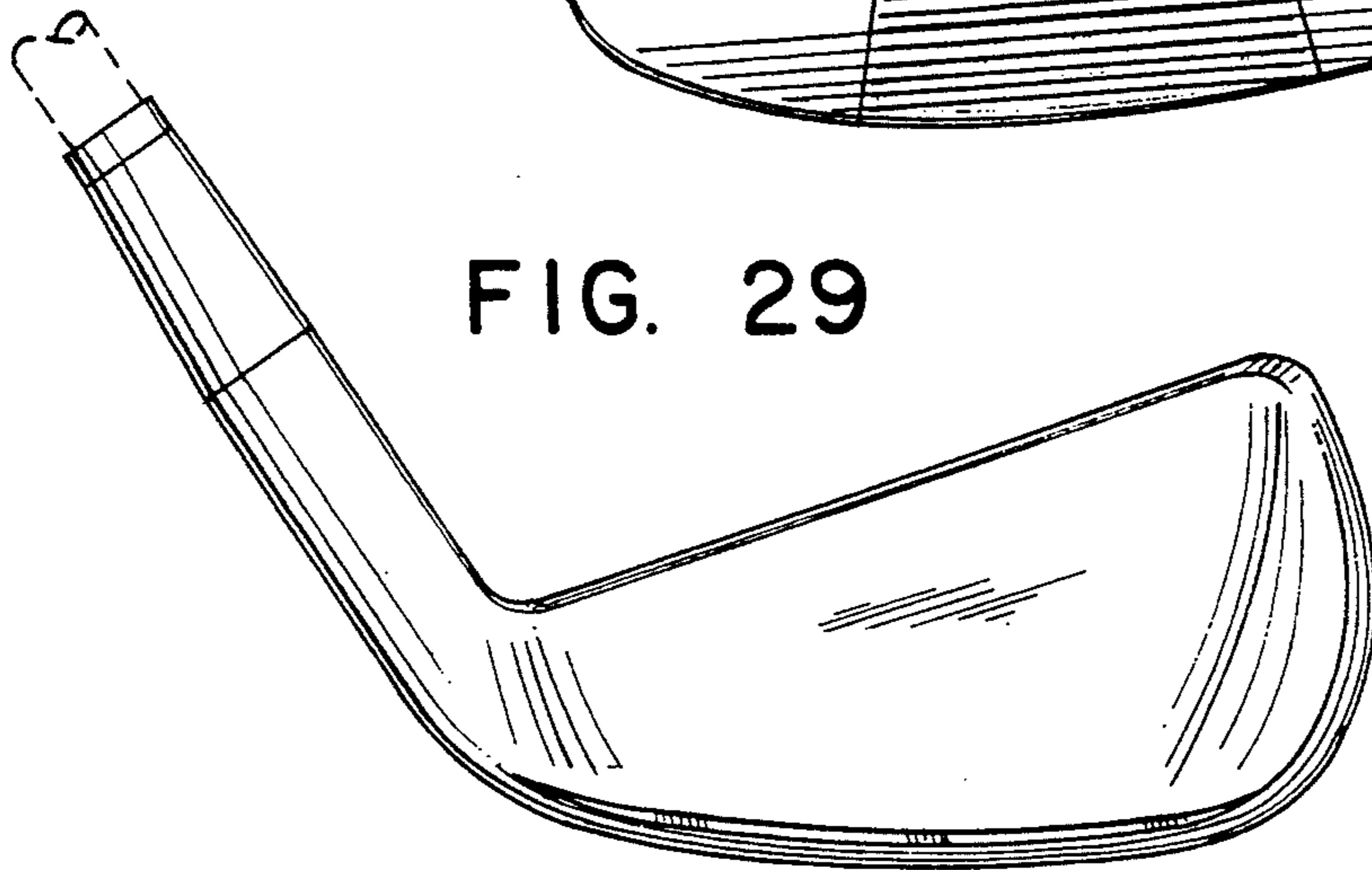


FIG. 28

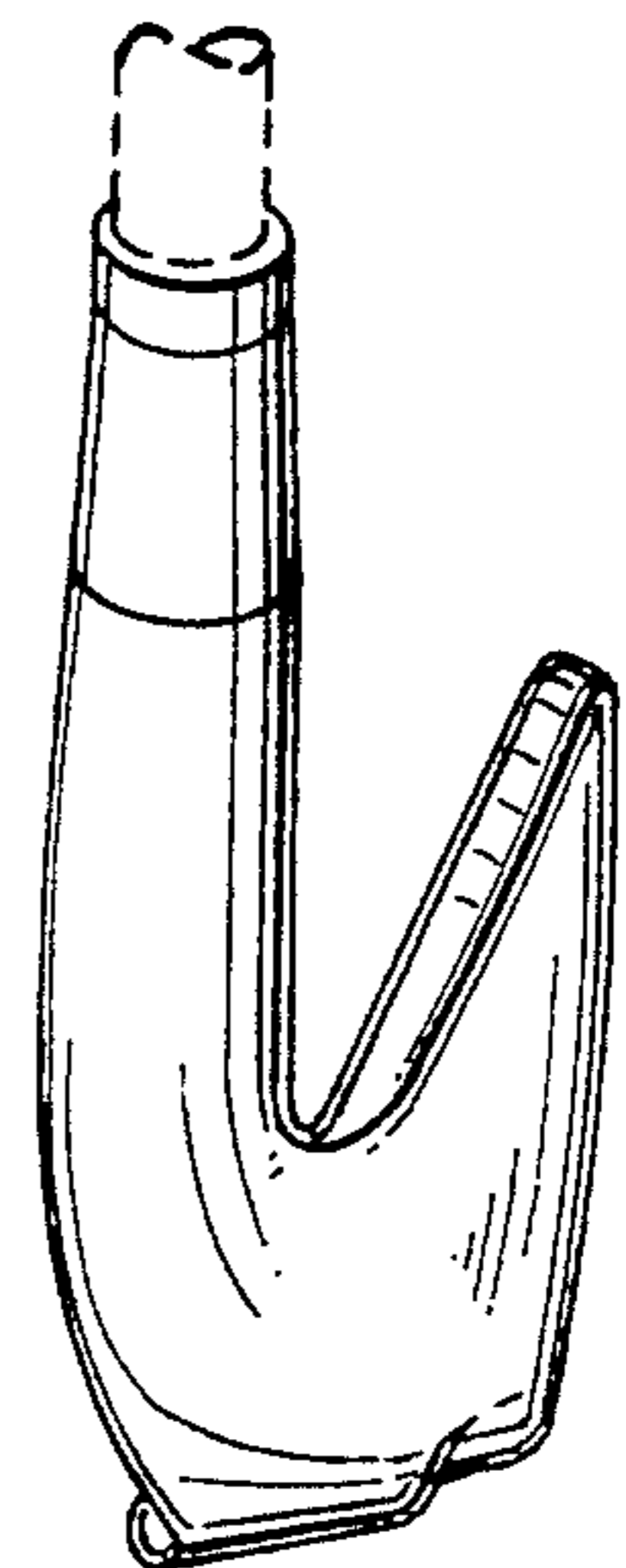


FIG. 30

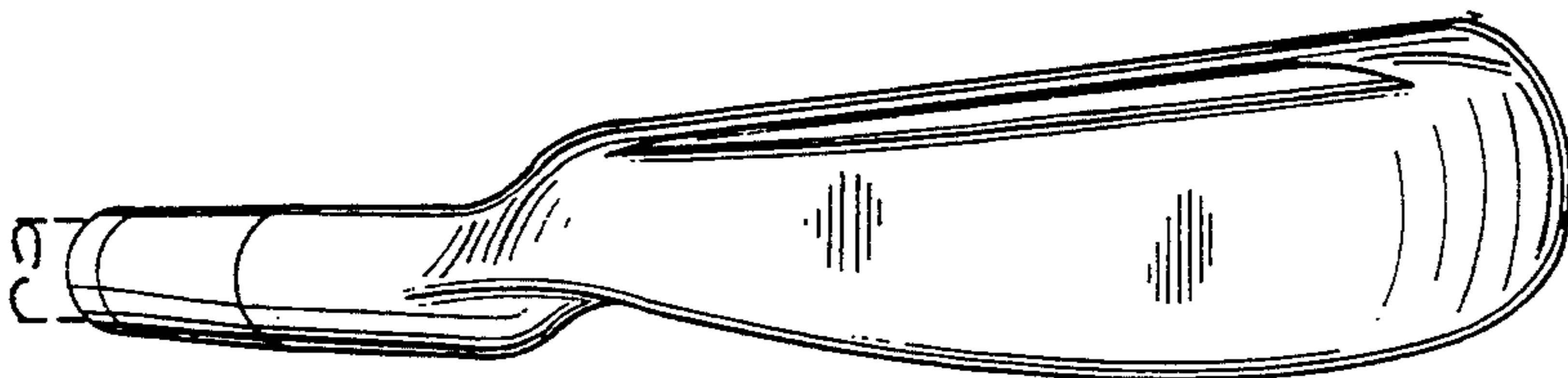


FIG. 33

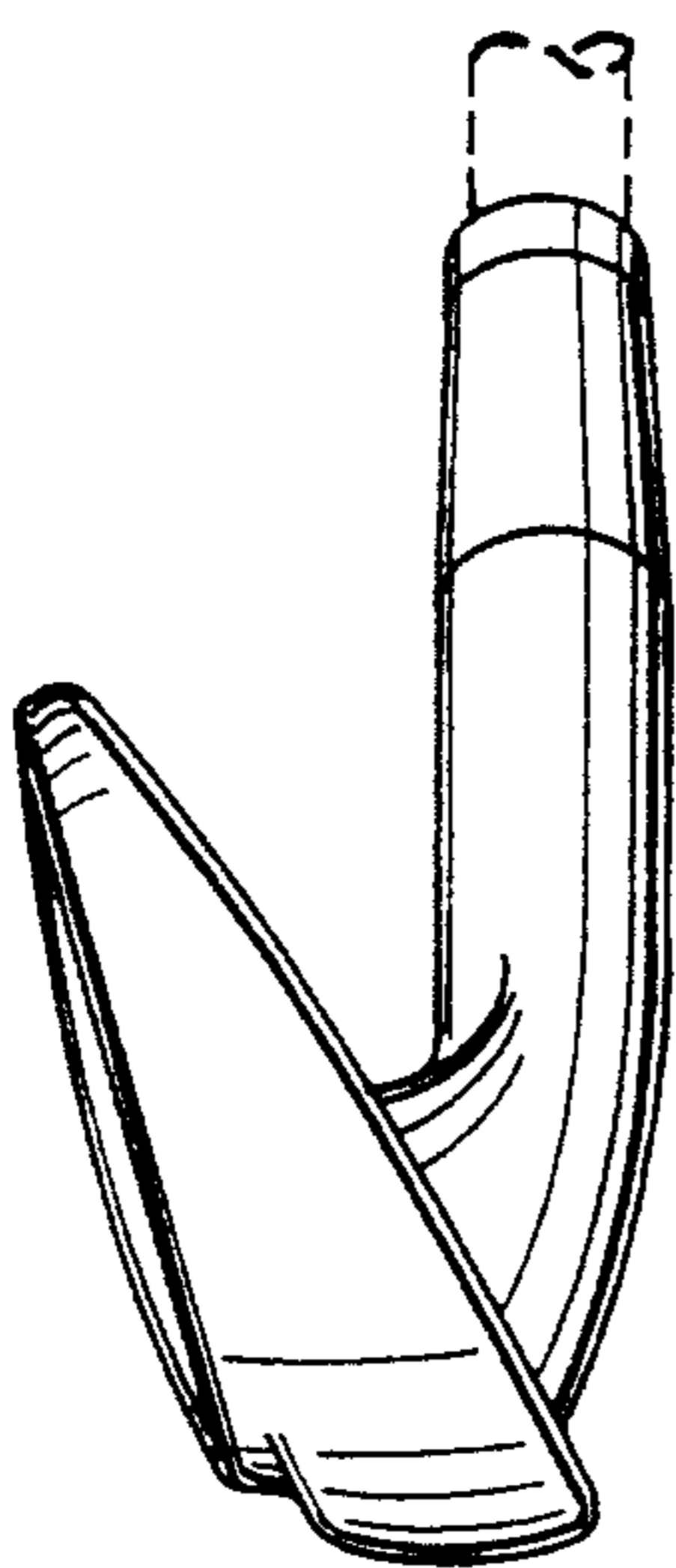


FIG. 31

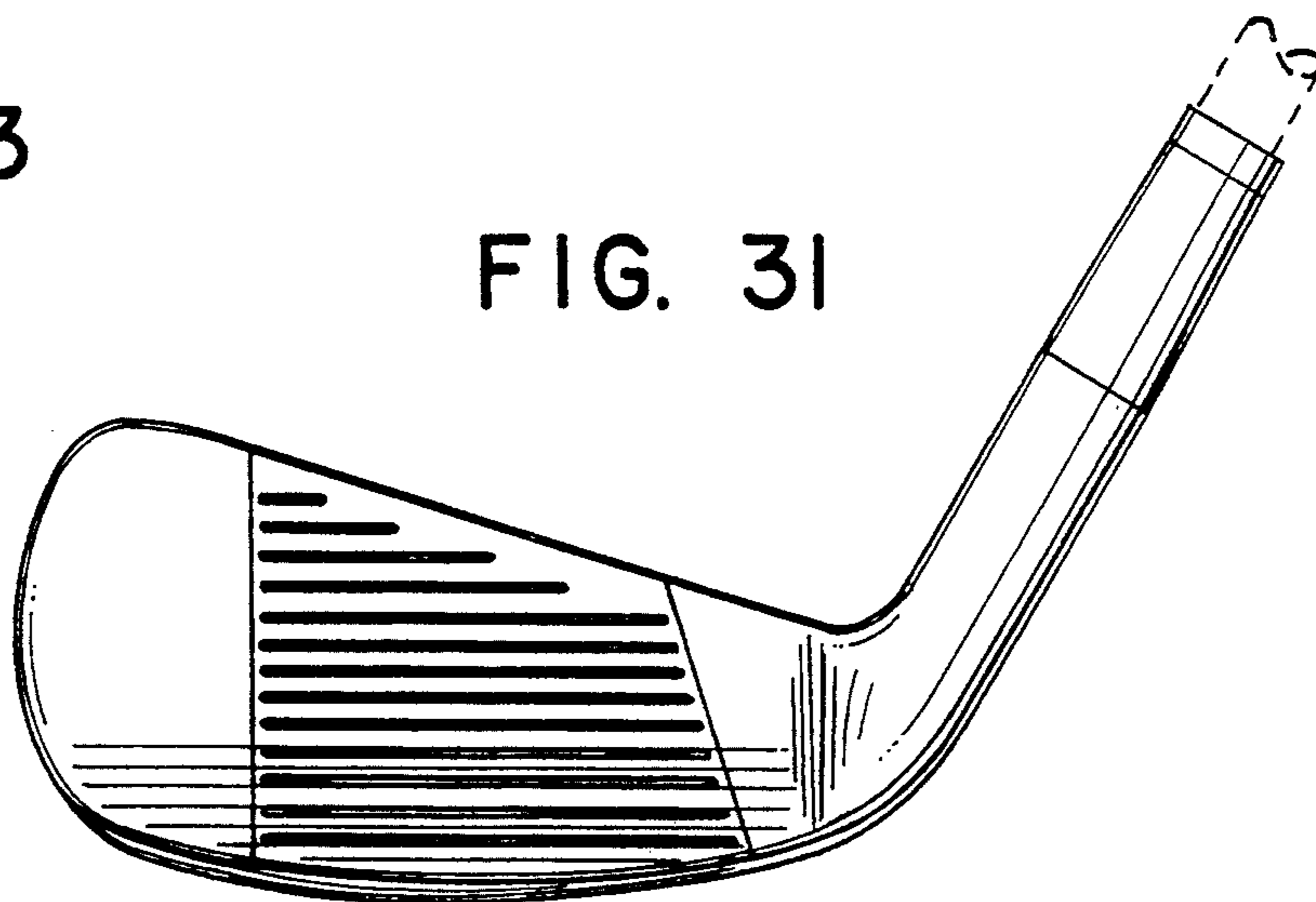


FIG. 32

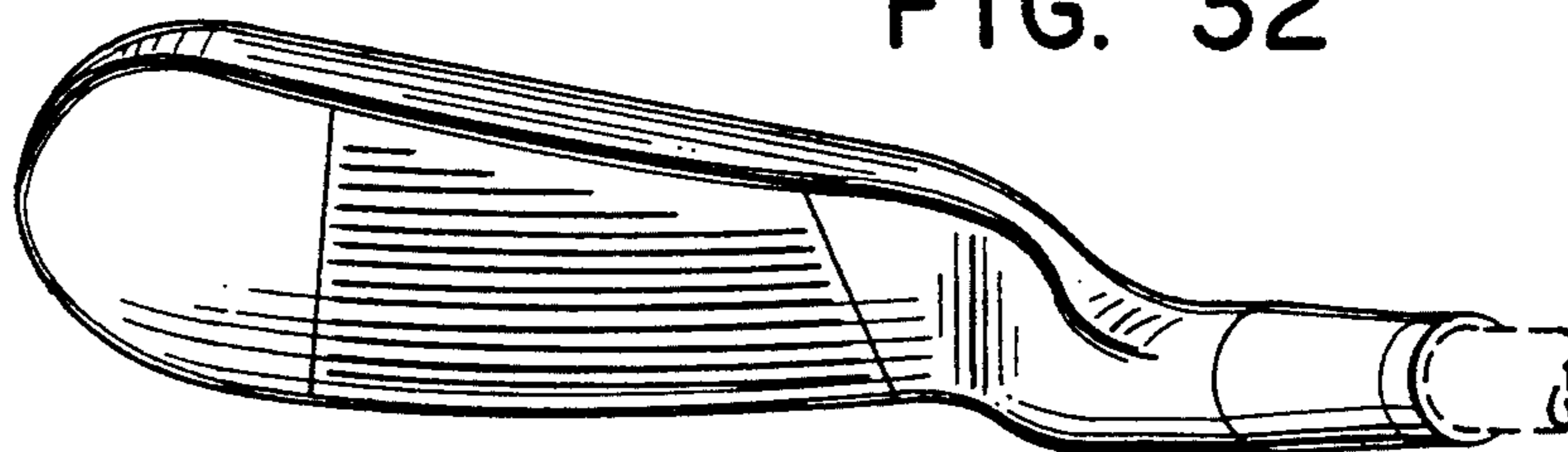


FIG. 34

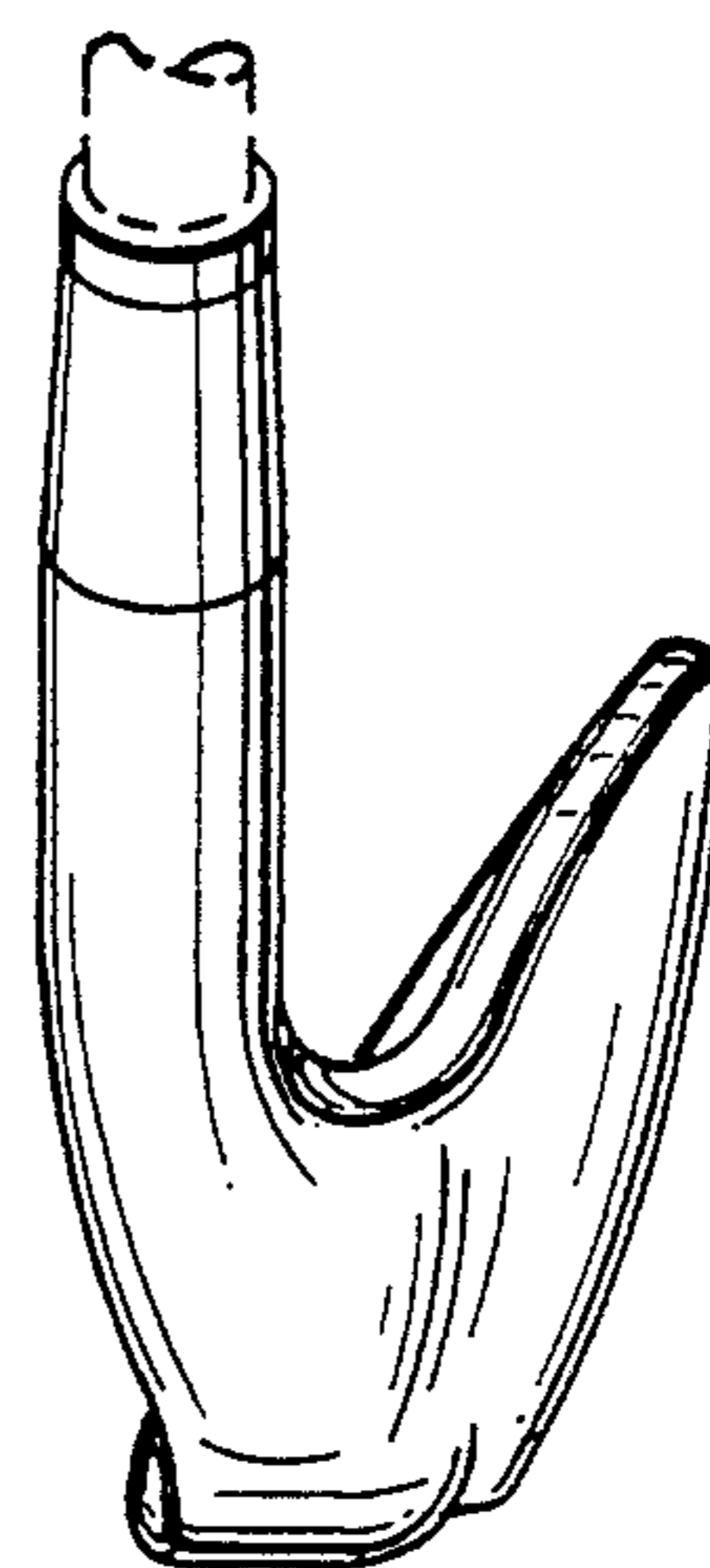


FIG. 35

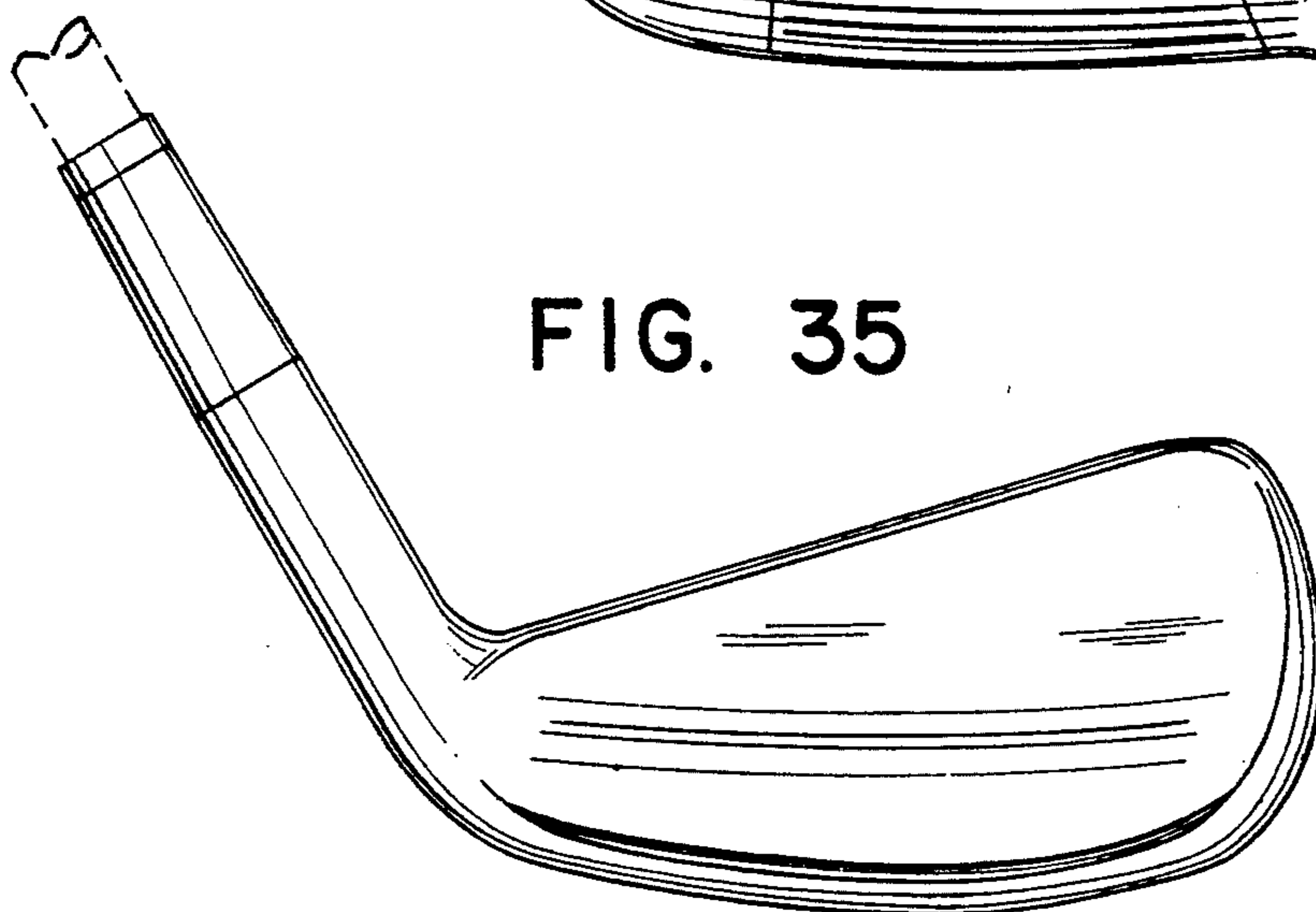


FIG. 36

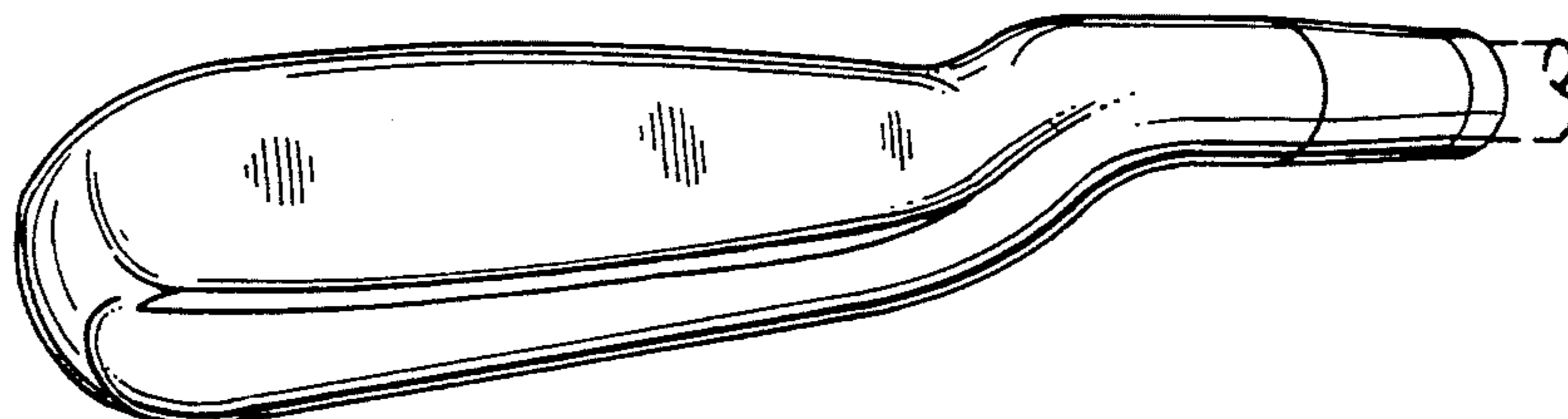


FIG. 39

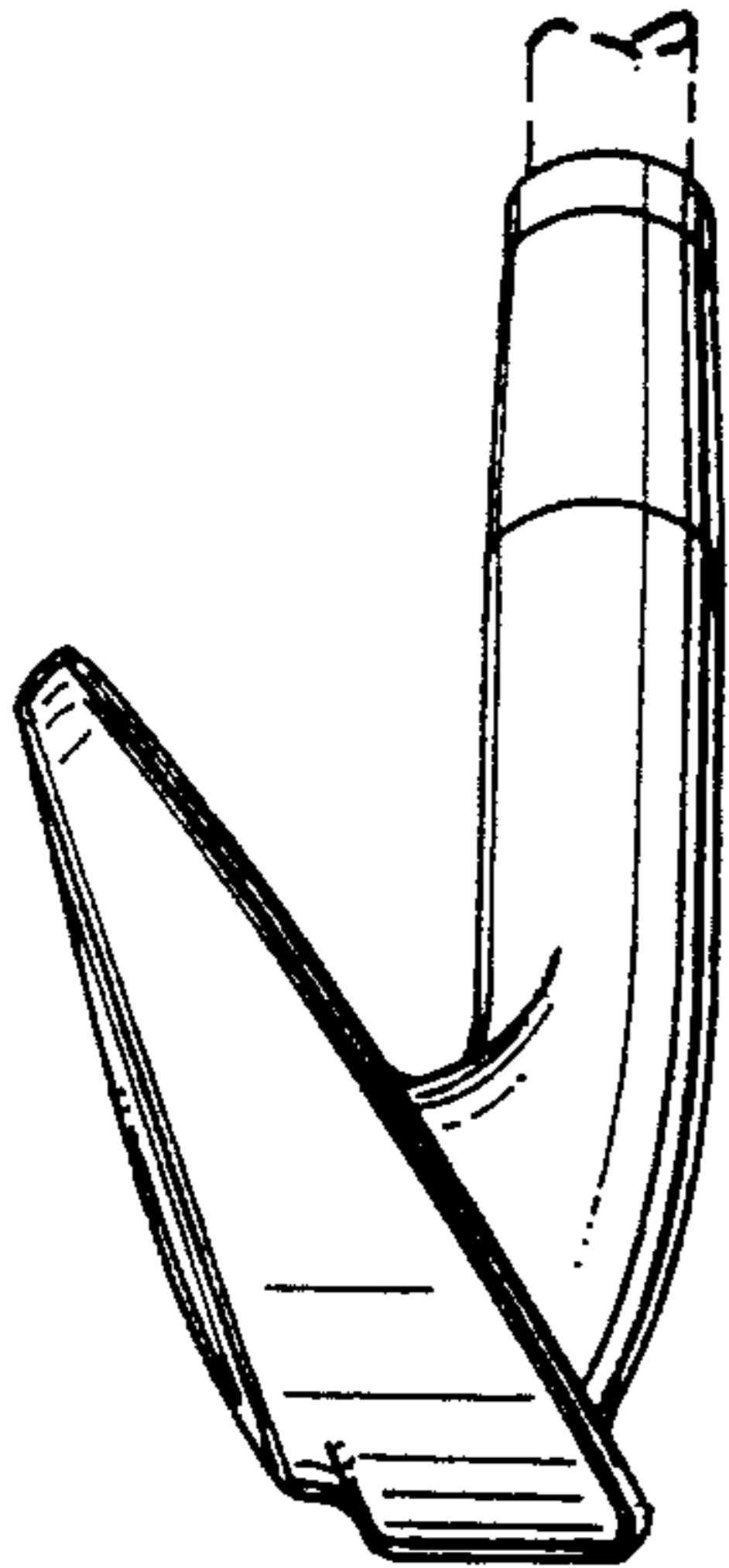


FIG. 37

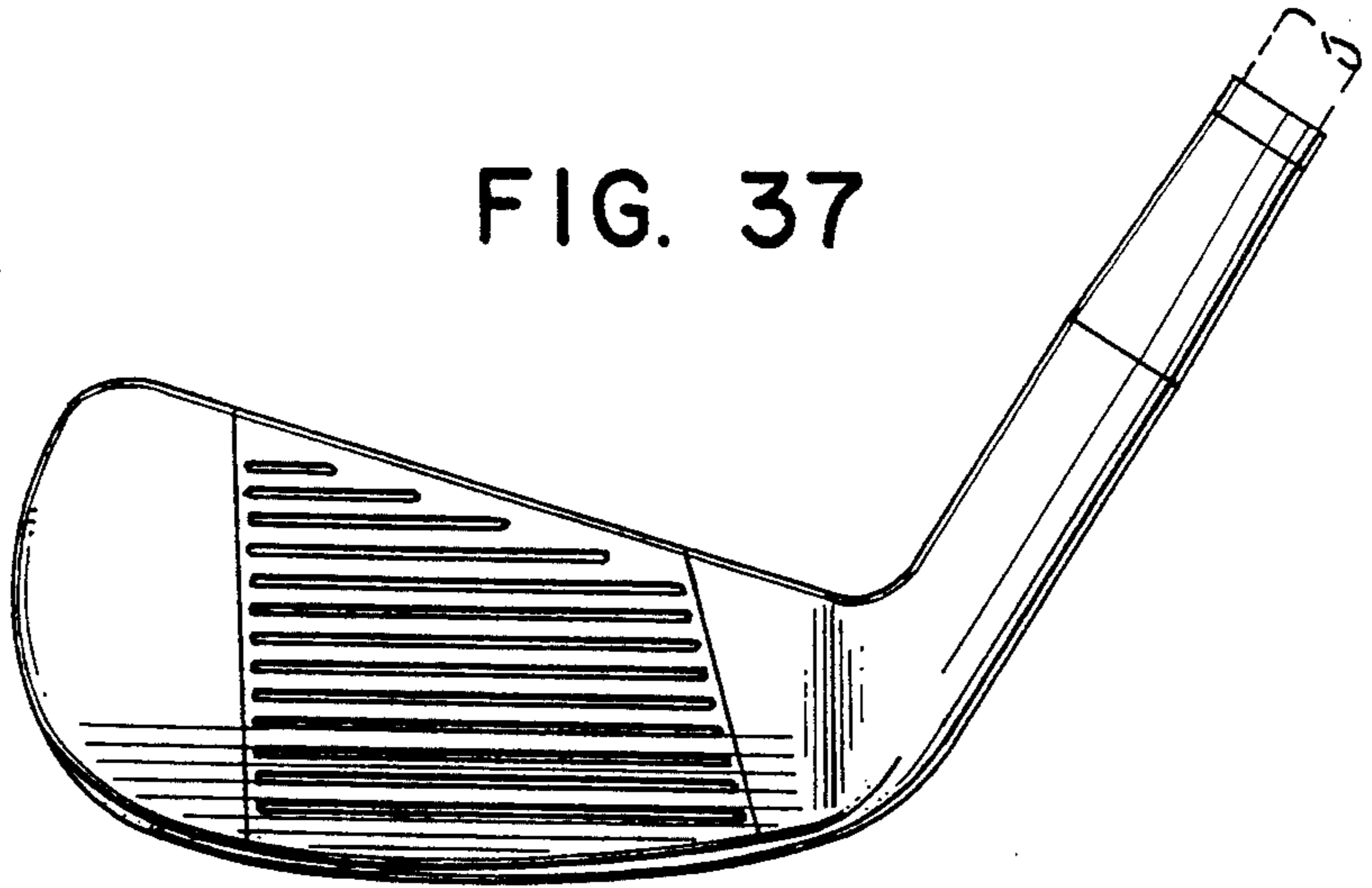


FIG. 38

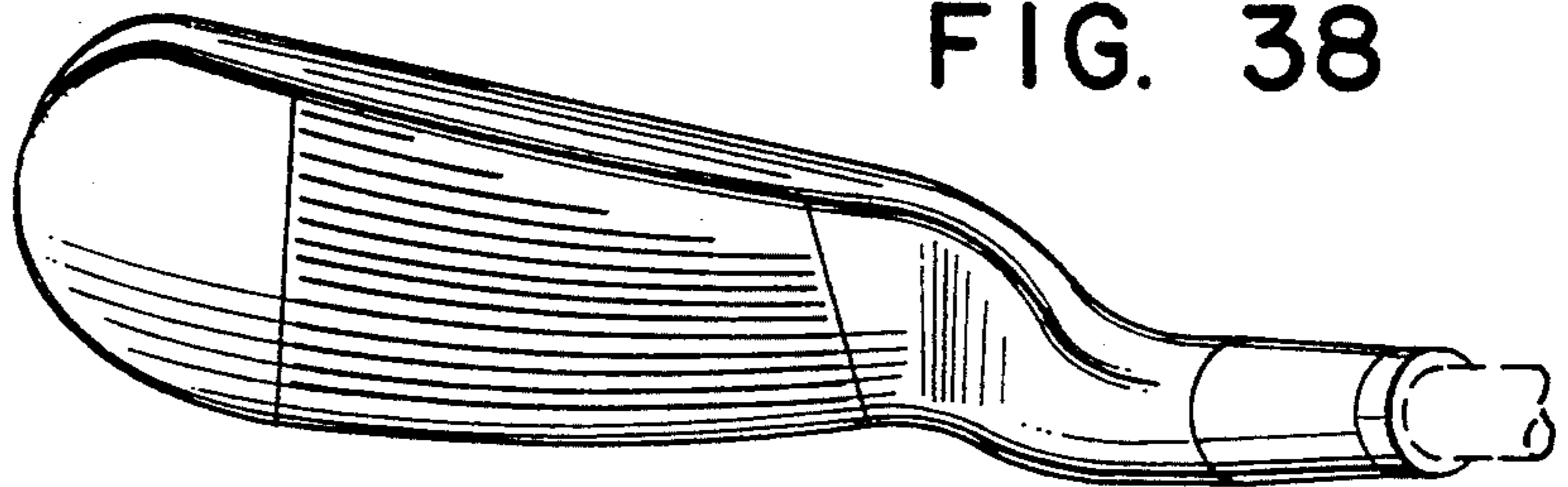


FIG. 40

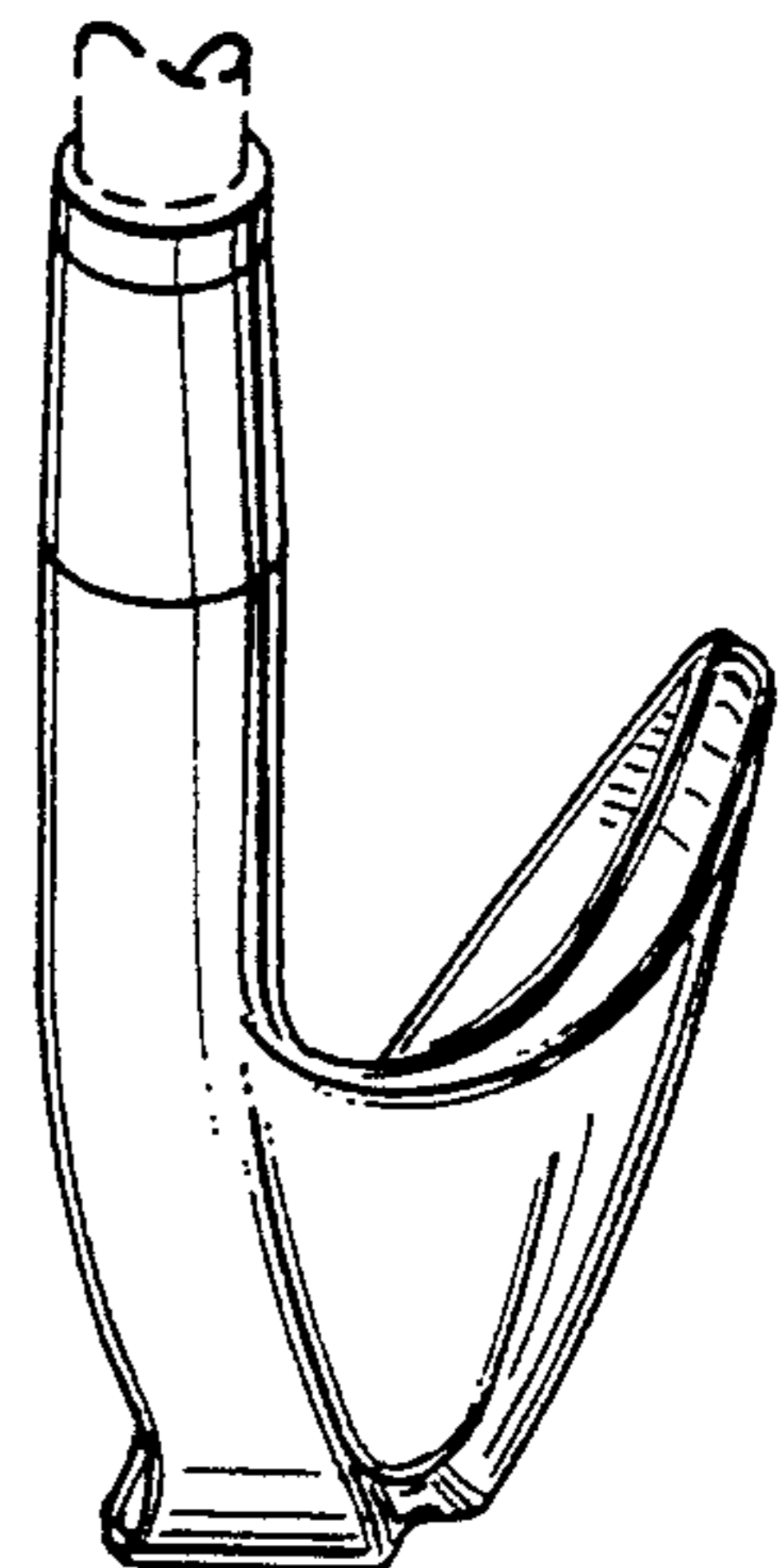


FIG. 41

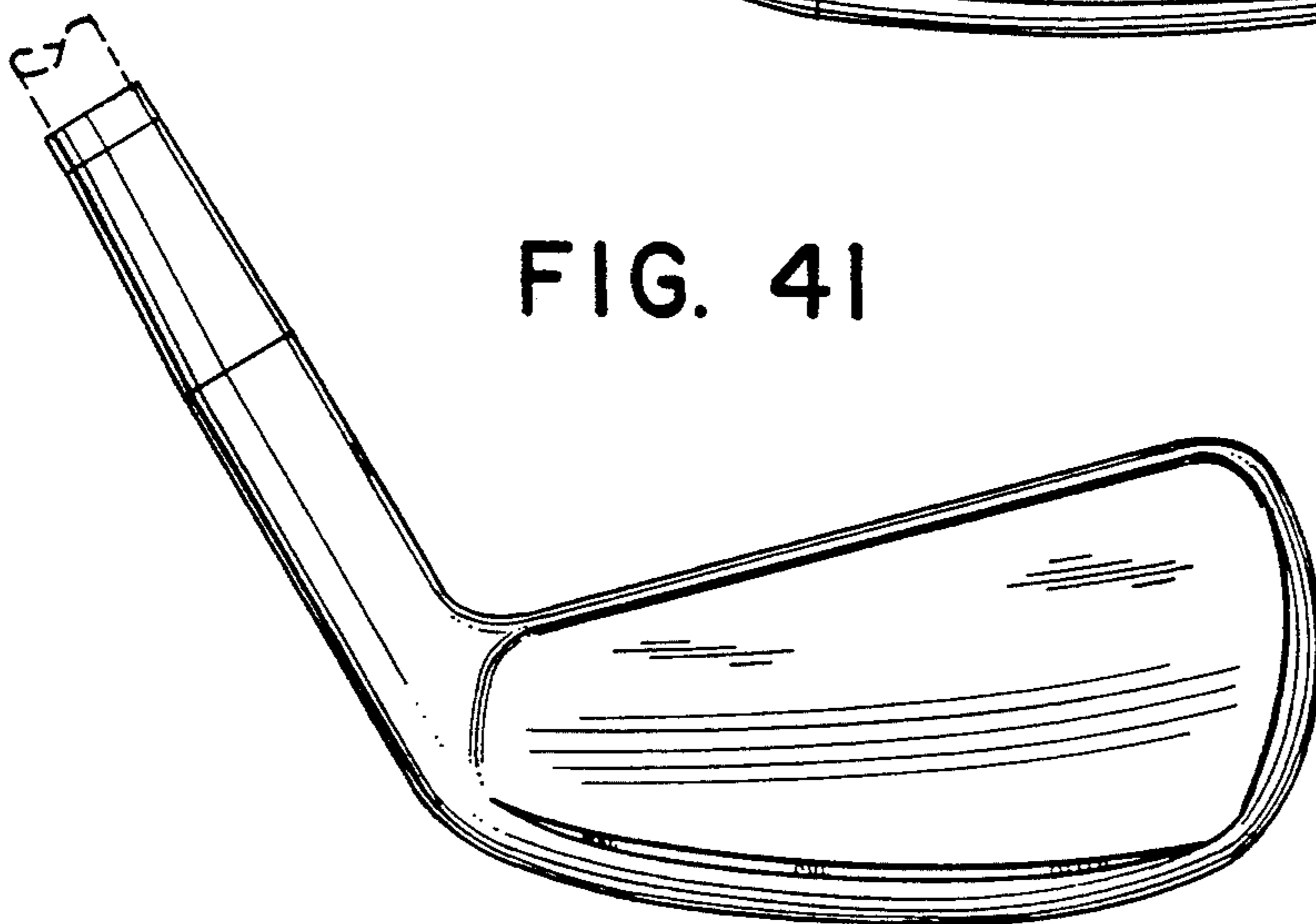


FIG. 42

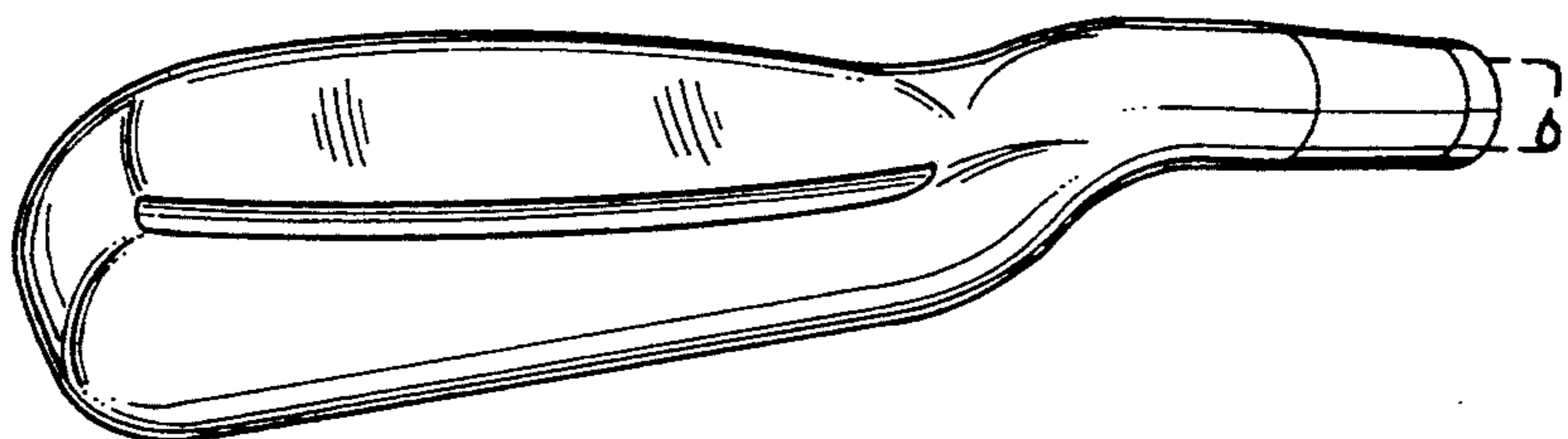


FIG. 45

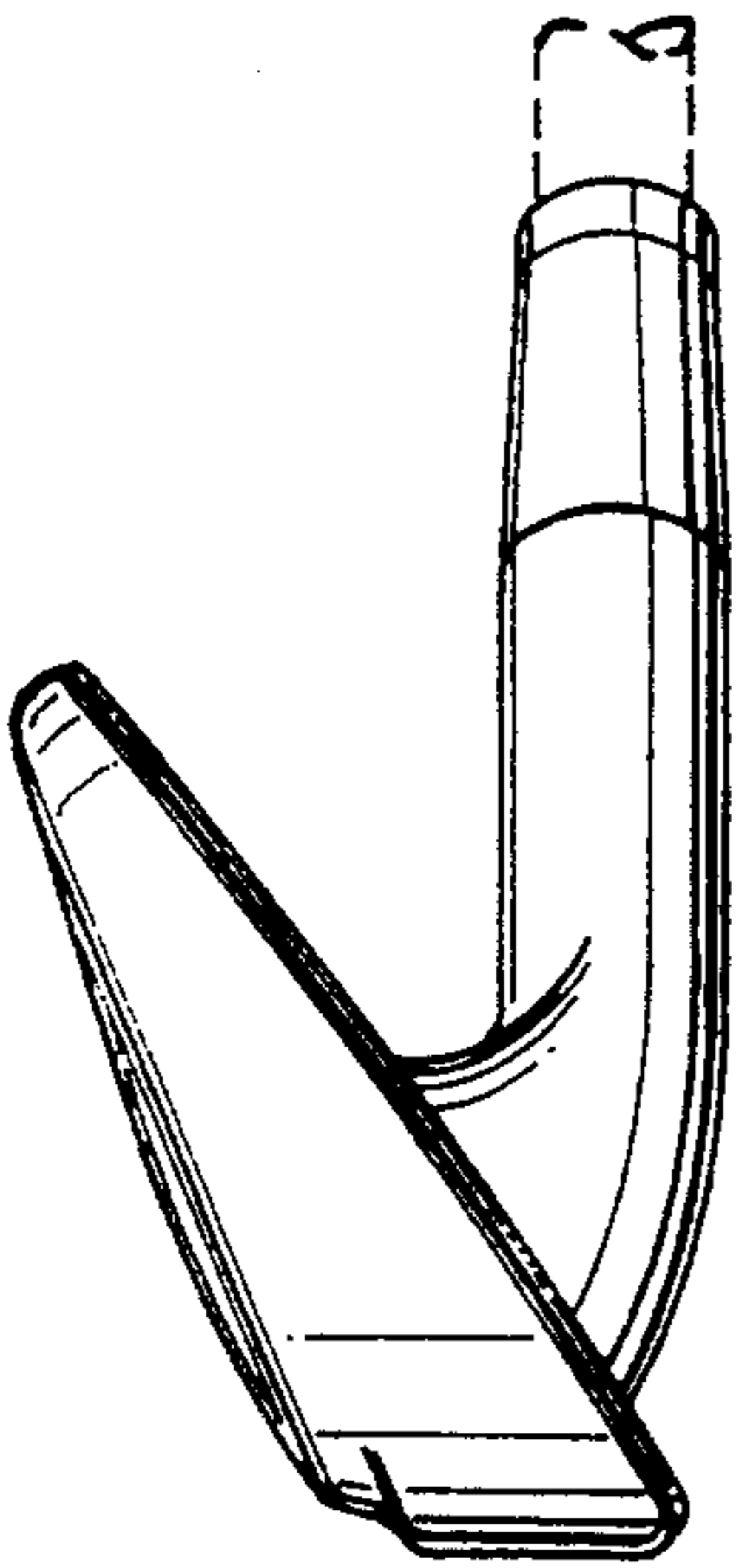


FIG. 43

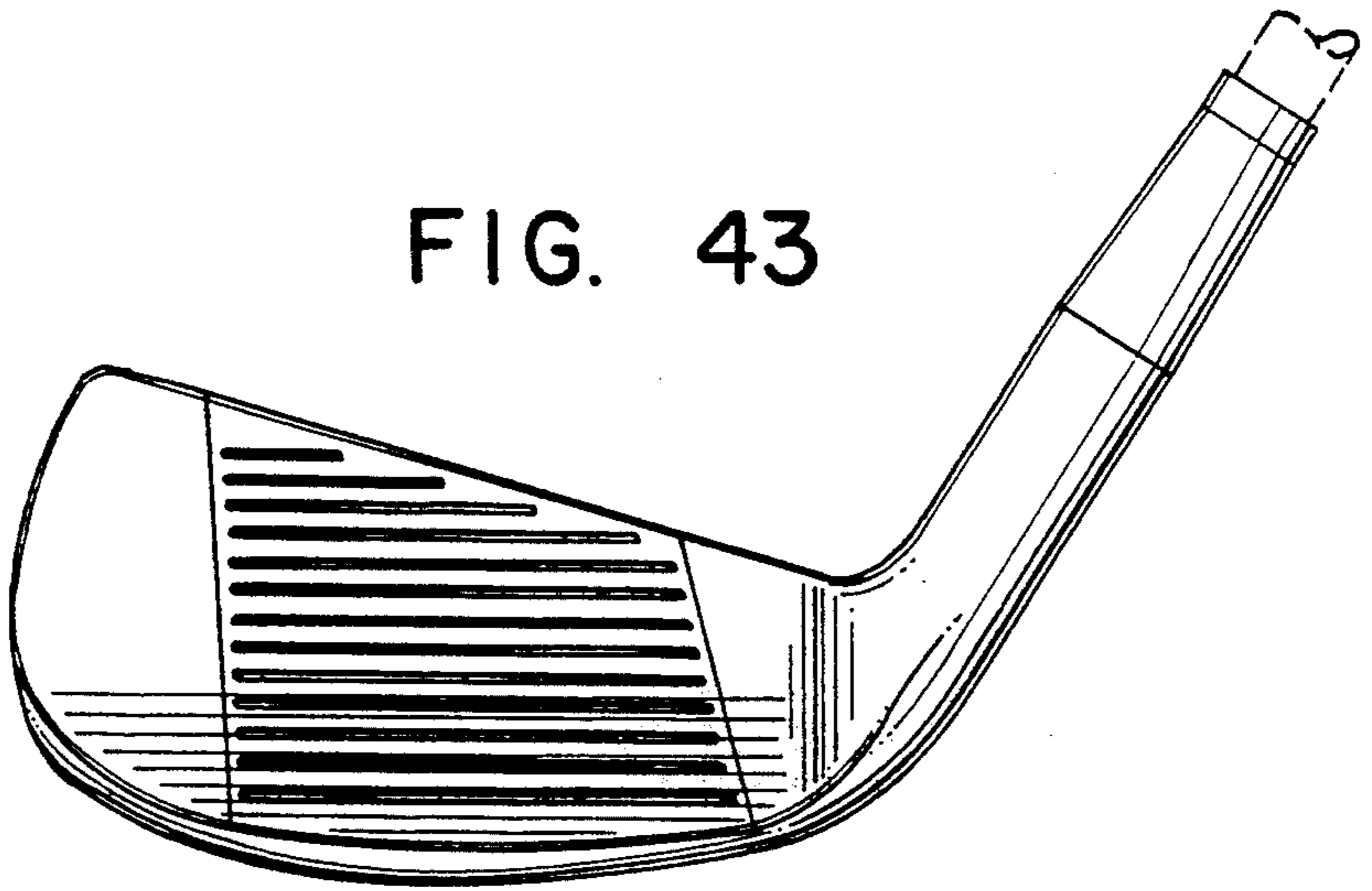


FIG. 44

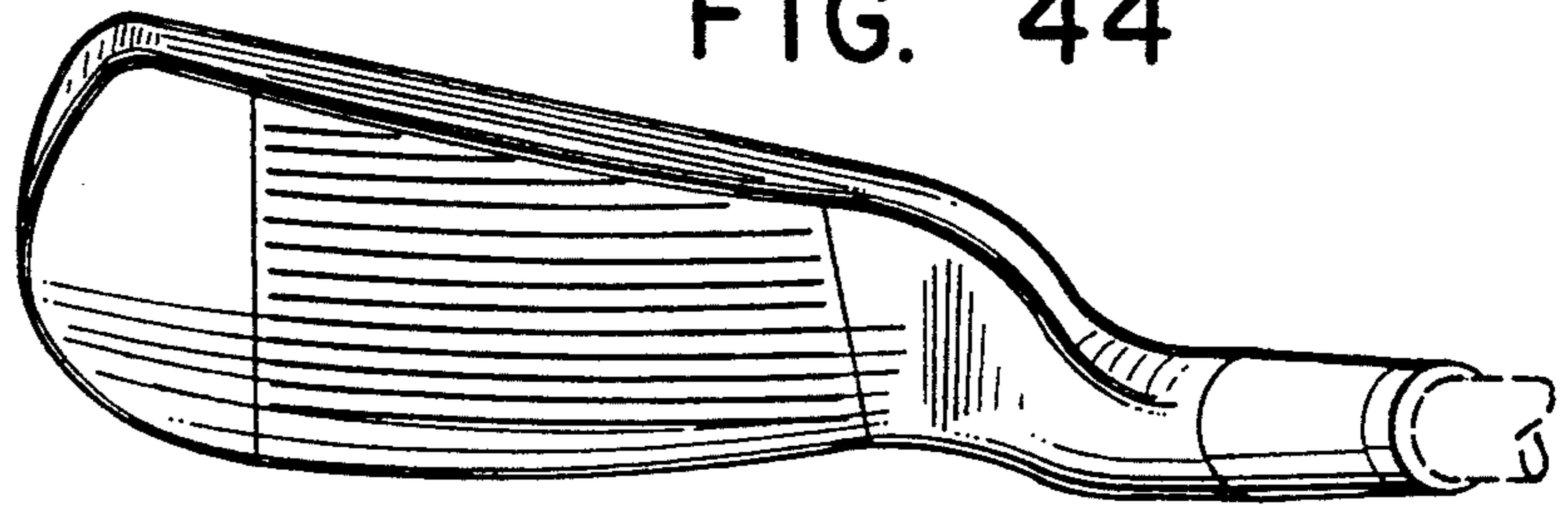


FIG. 46

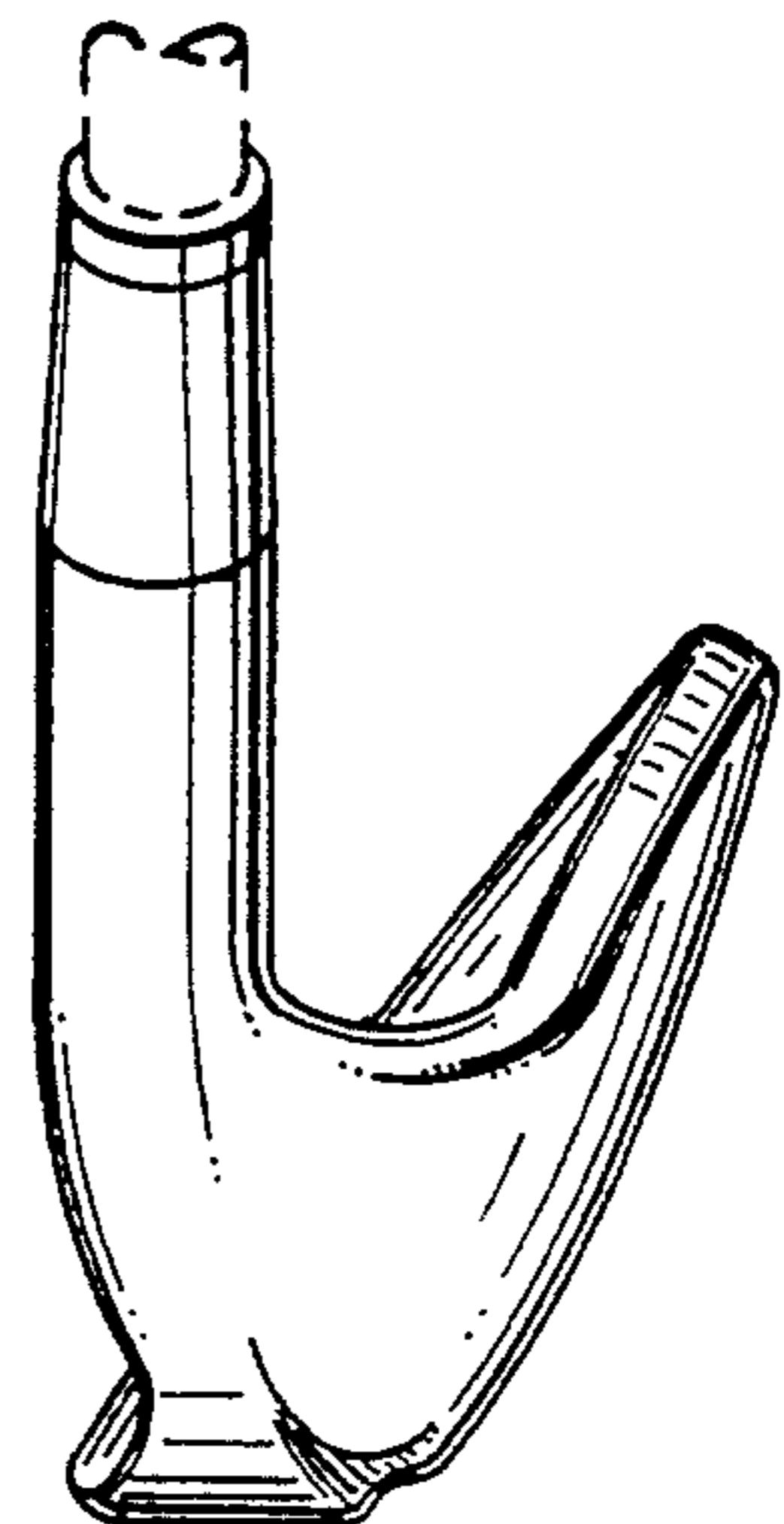


FIG. 47

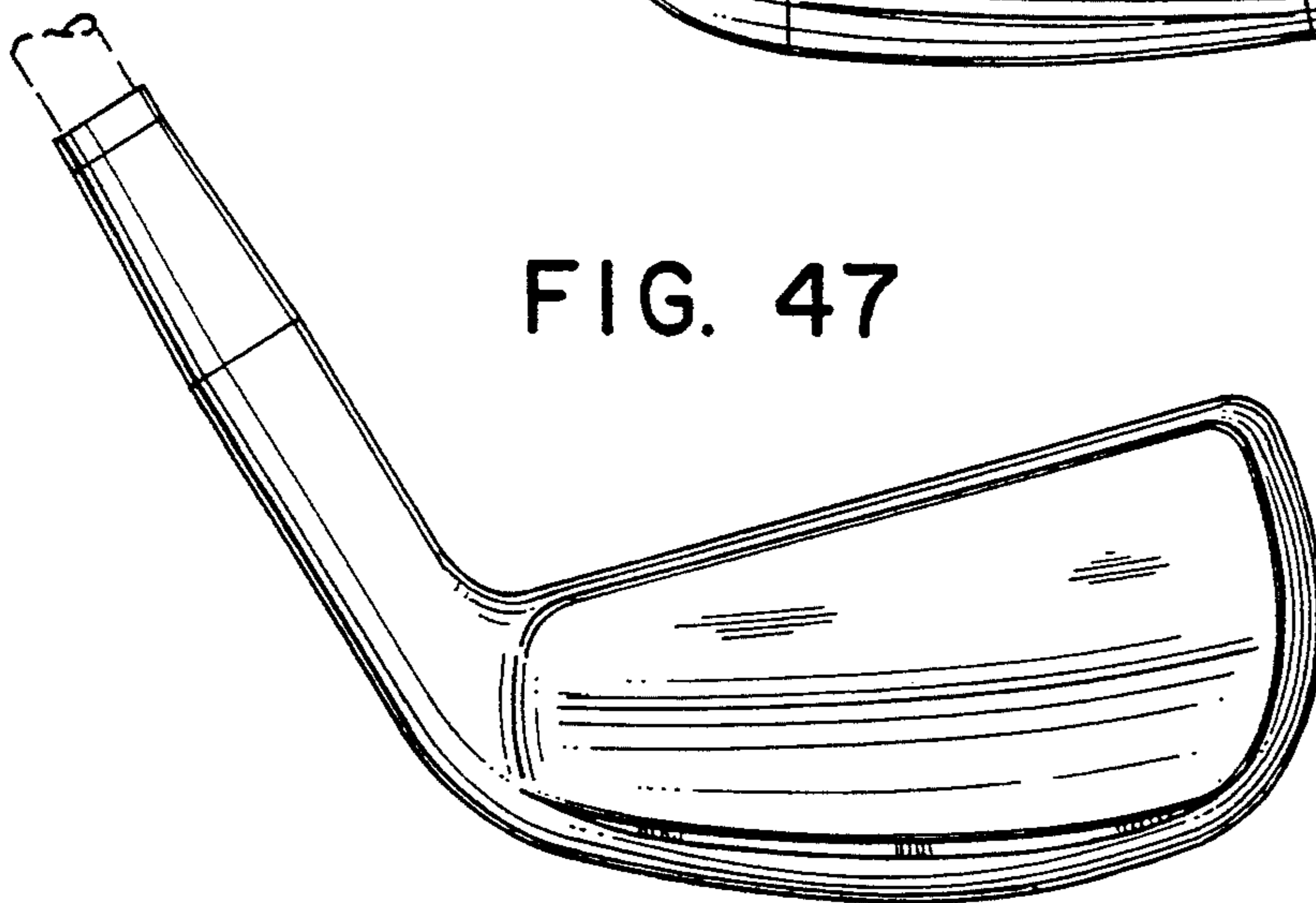


FIG. 48

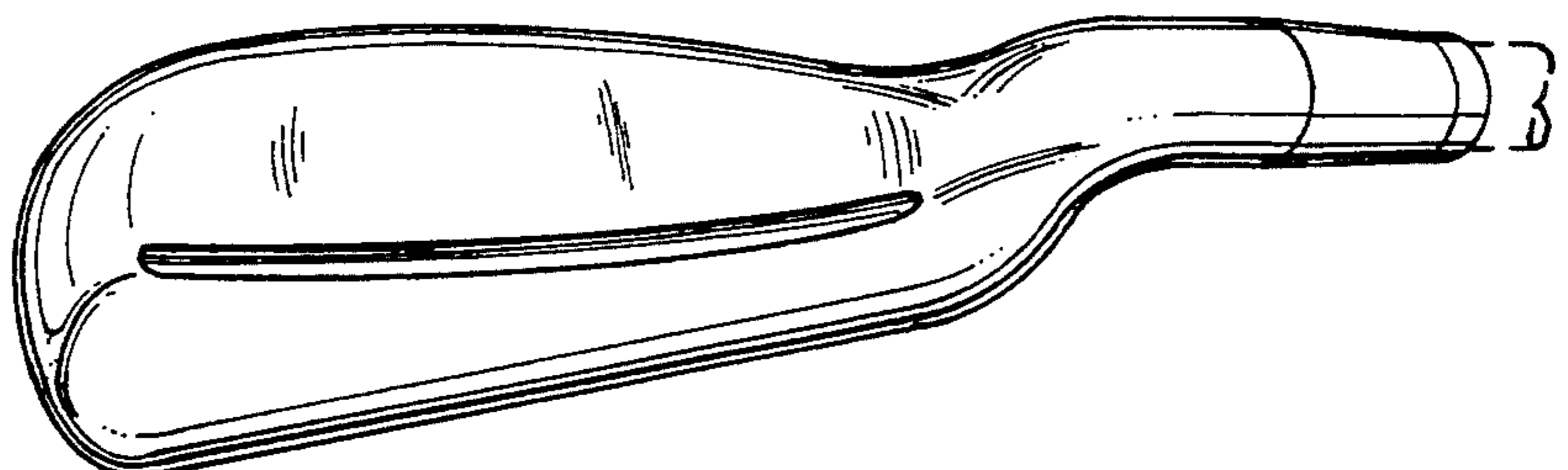


FIG. 51

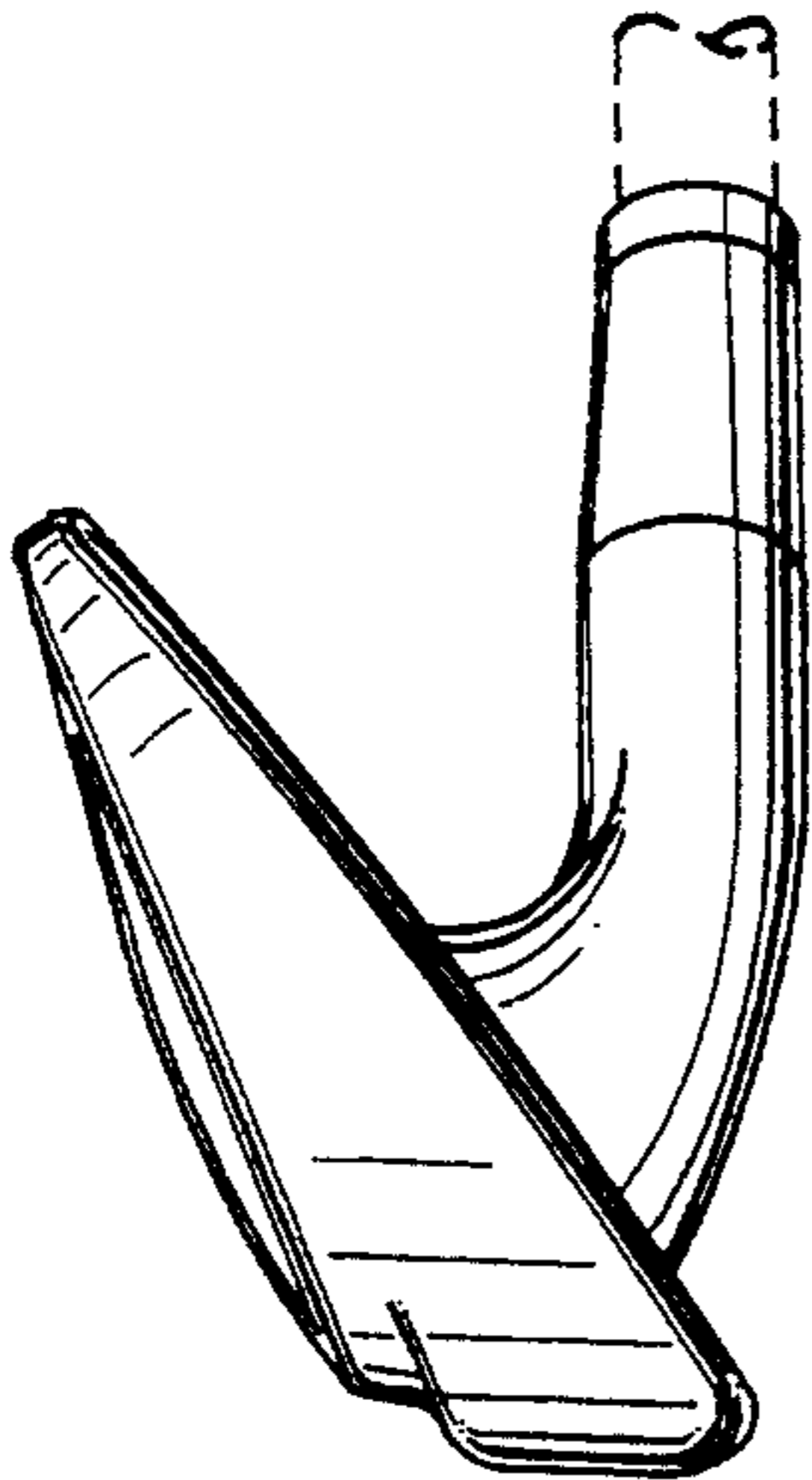


FIG. 49

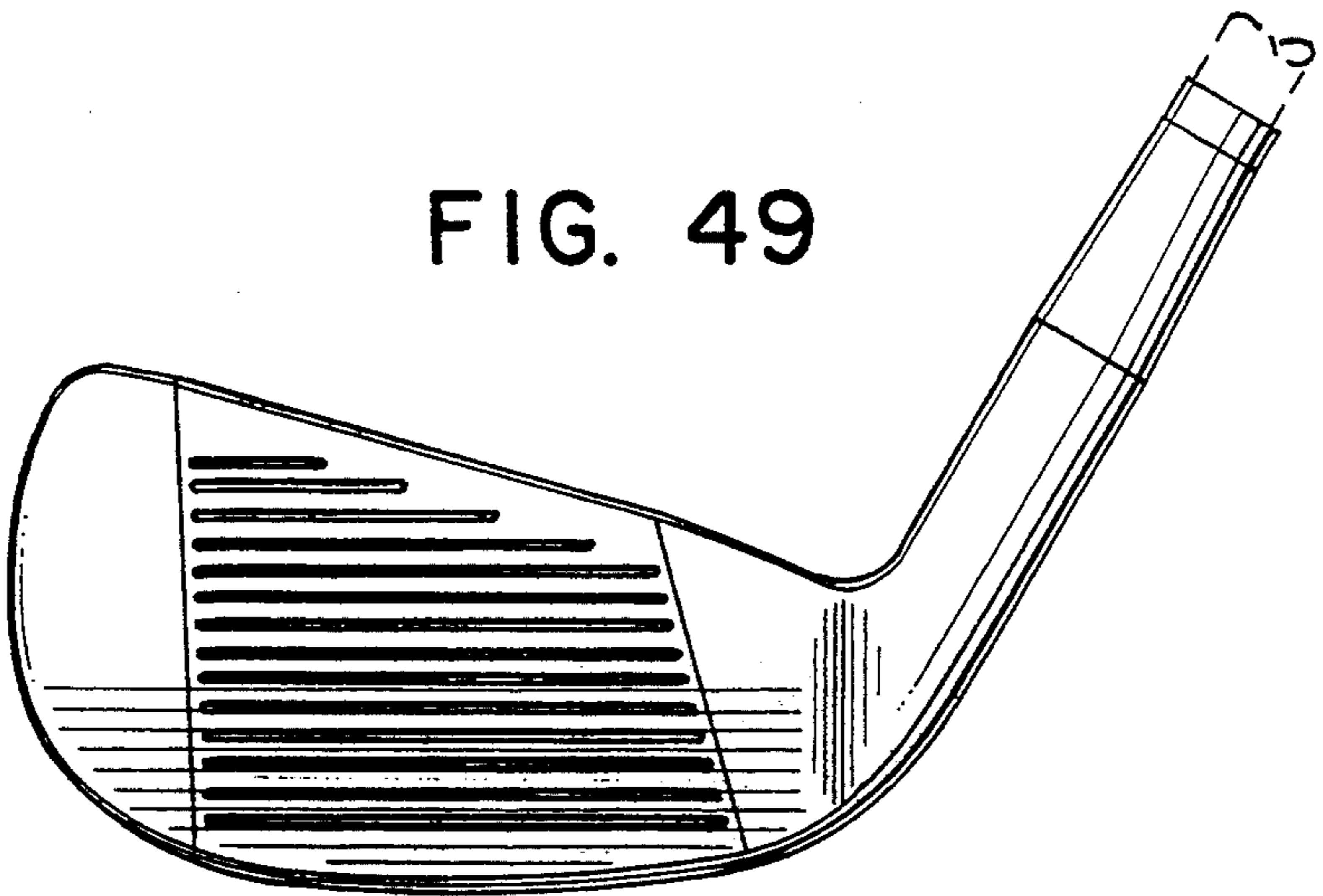


FIG. 50

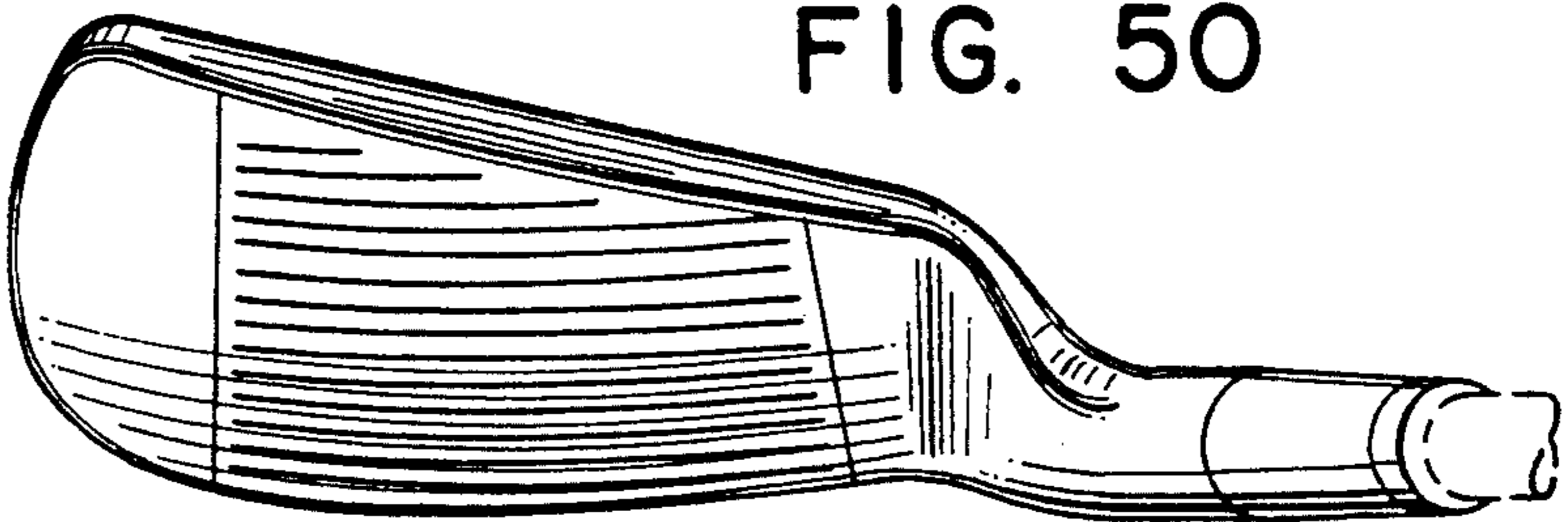


FIG. 52

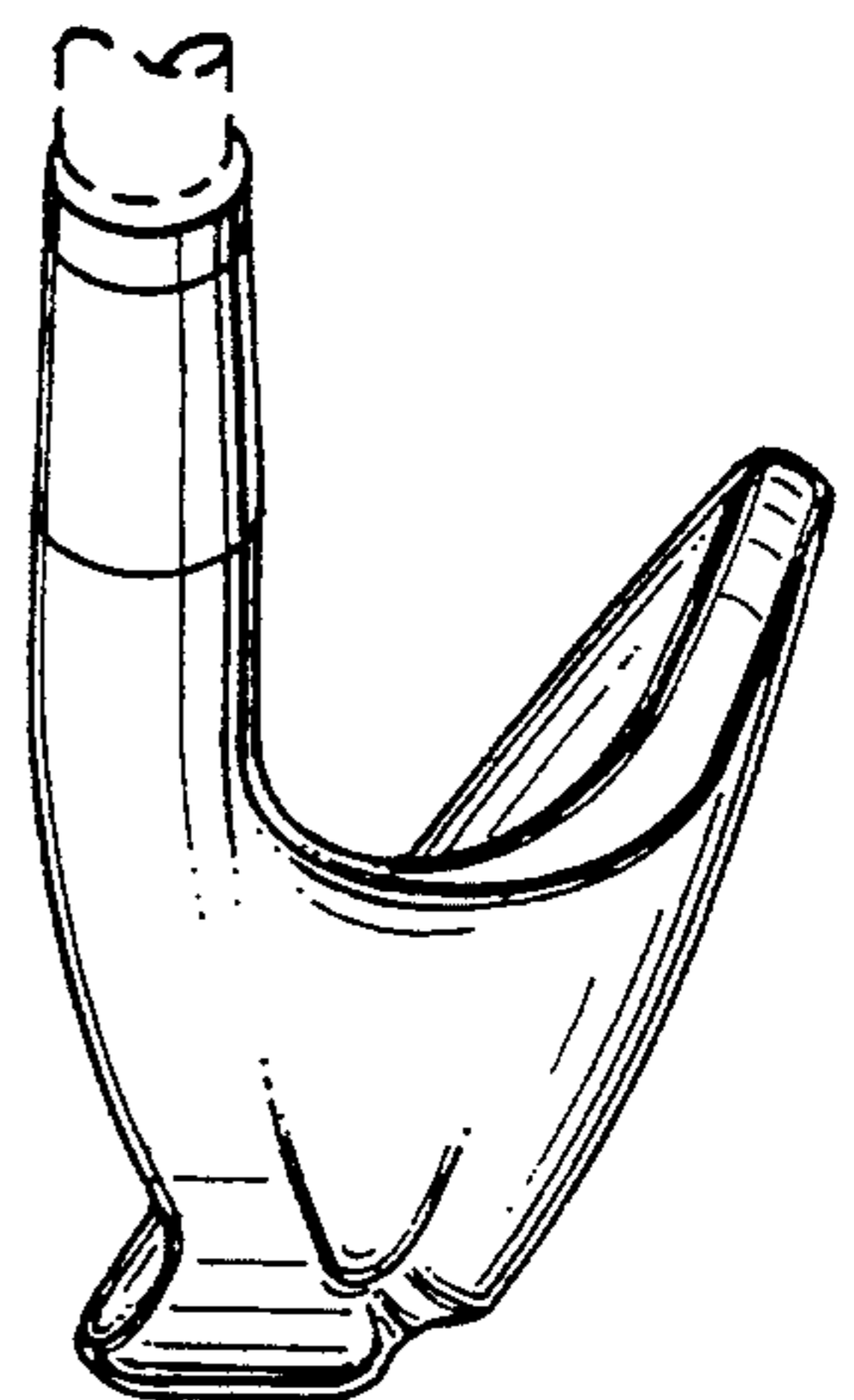


FIG. 53

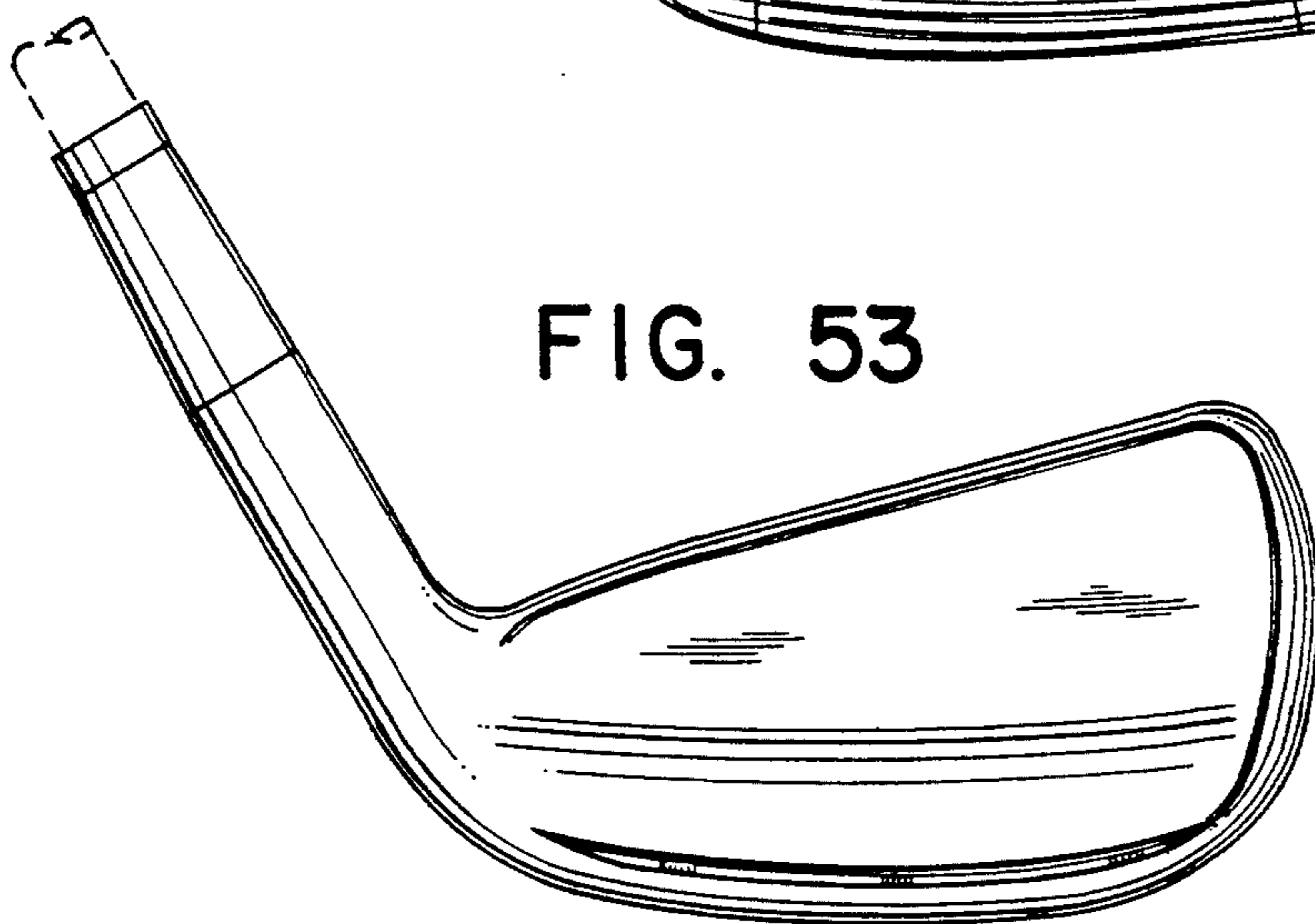


FIG. 54

