



US00D350799S

United States Patent [19] Kaity

[11] Patent Number: **Des. 350,799**

[45] Date of Patent: **** Sep. 20, 1994**

[54] GAME BAT

[75] Inventor: **Nandor Kaity**, Queensland, Australia

[73] Assignee: **Artur Maros**, New South Wales, Australia

[**] Term: **14 Years**

[21] Appl. No.: **4,651**

[22] Filed: **Feb. 10, 1993**

[30] **Foreign Application Priority Data**

Aug. 11, 1992 [AU] Australia 2180/92

[52] U.S. Cl. **D21/211; D21/210**

[58] Field of Search 273/76, 67 R, 67 B, 273/107, 346; 446/486; D21/210, 211

[56]

References Cited

U.S. PATENT DOCUMENTS

2,771,294 11/1956 MacChesney 273/326
5,178,576 1/1993 Ayers 273/67 R

FOREIGN PATENT DOCUMENTS

20805 11/1904 United Kingdom 273/67 R

Primary Examiner—Terry A. Wallace
Attorney, Agent, or Firm—Helfgott & Karas

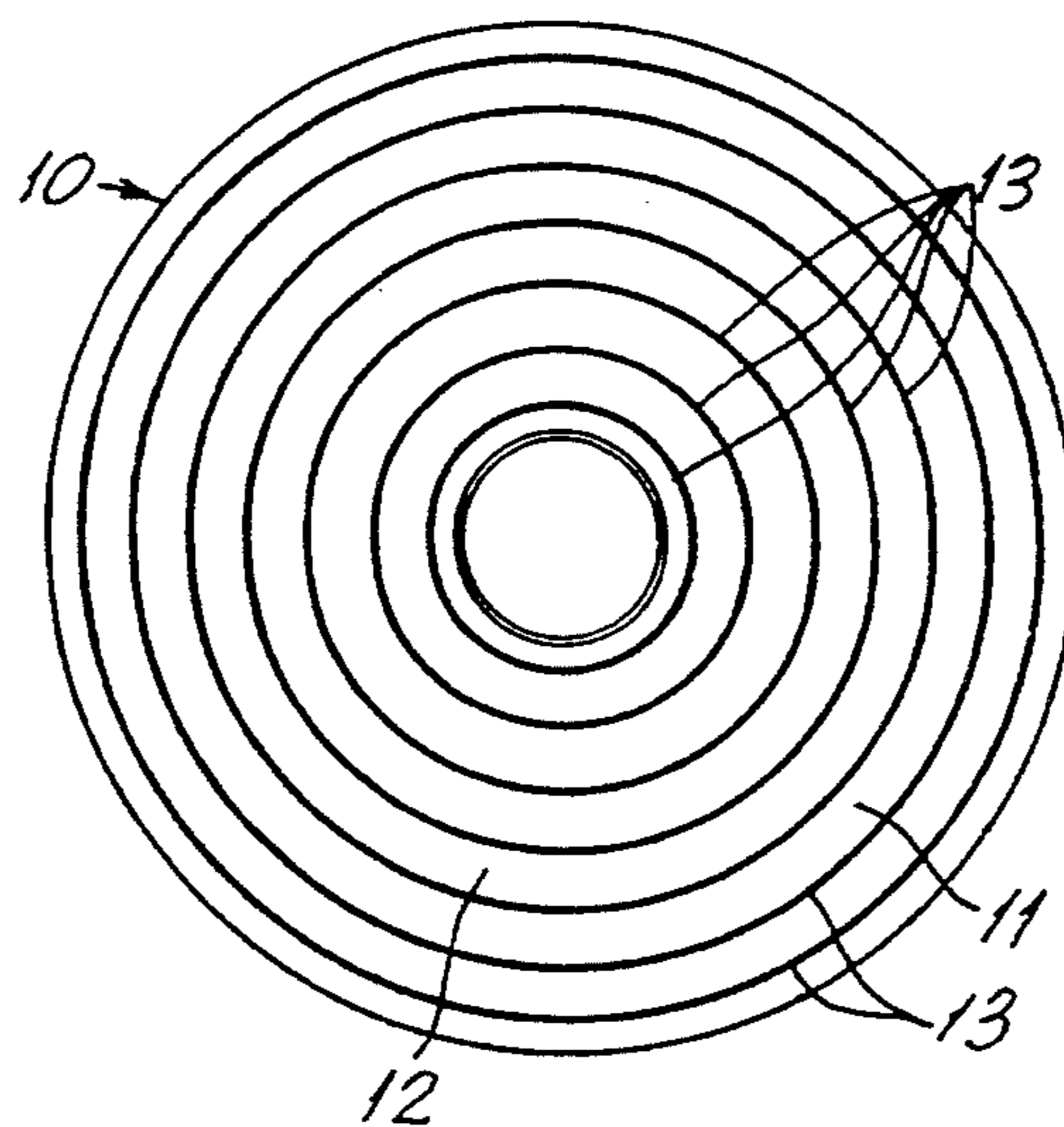
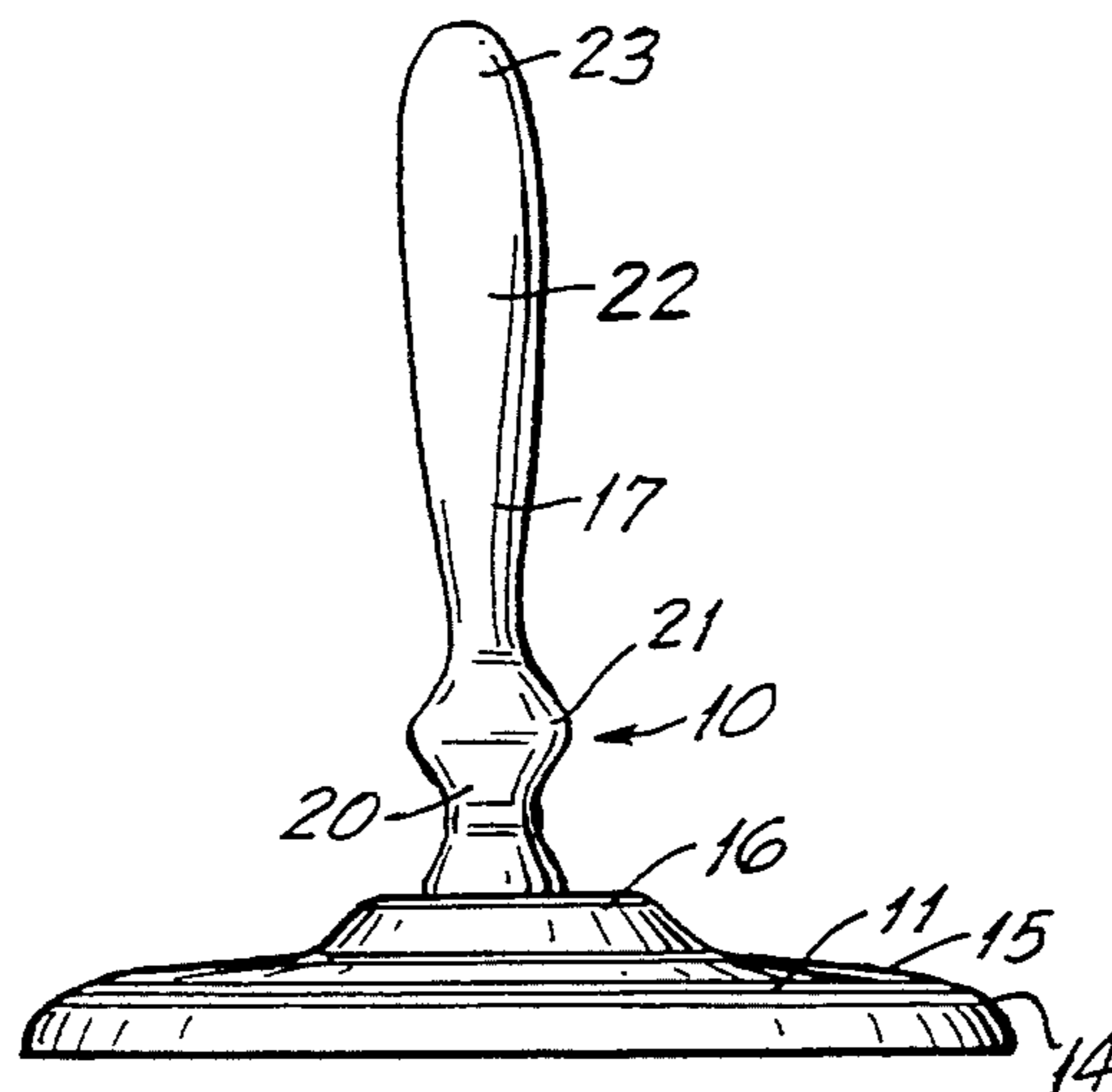
[57]

CLAIM

The ornamental design for a game bat, as shown and described

DESCRIPTION

FIG. 1 is a perspective view of a game bat showing my new design;
FIG. 2 is a side elevational view thereof, the remaining sides being identical; and,
FIG. 3 is a bottom plan view thereof.



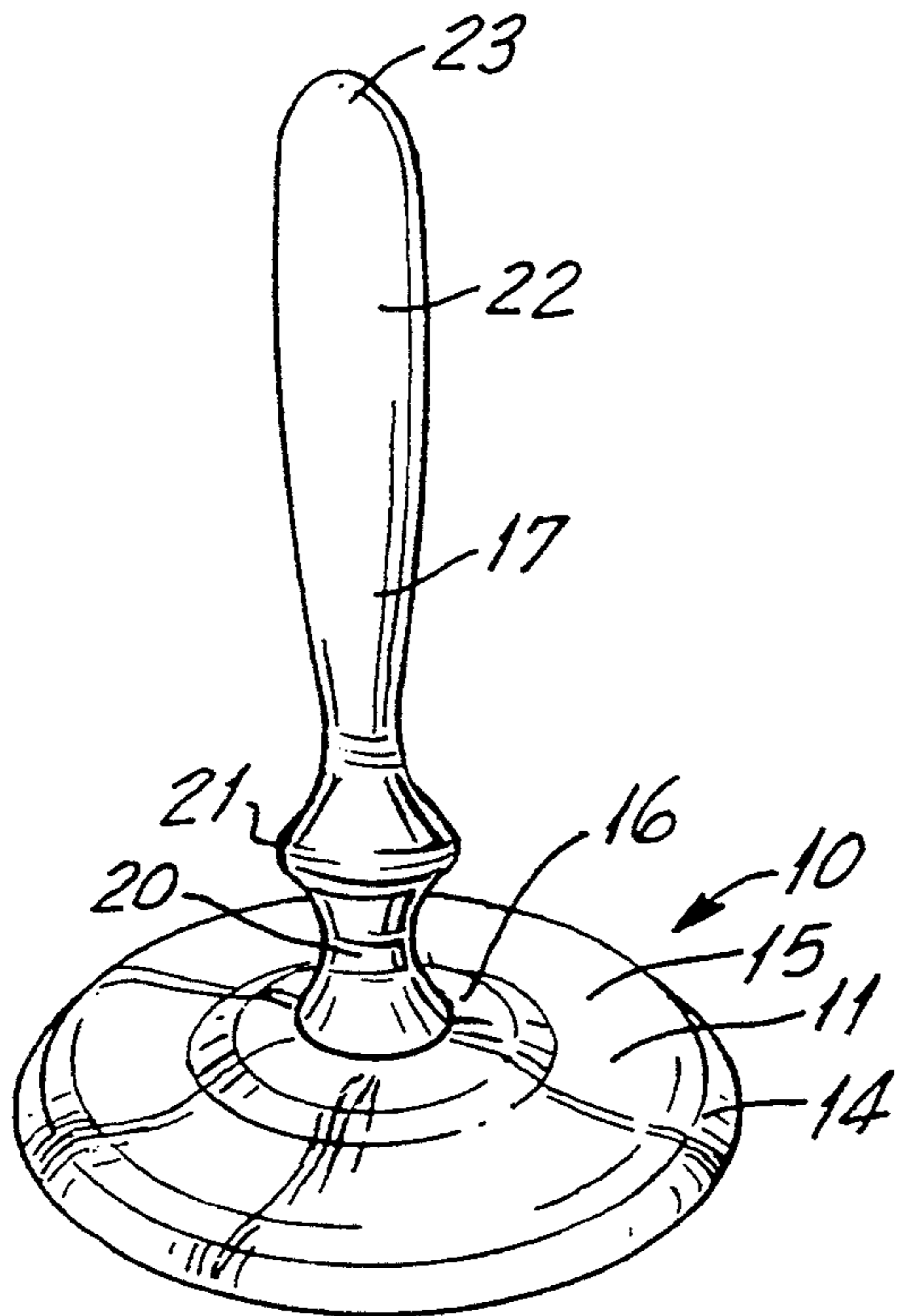


FIG. 1

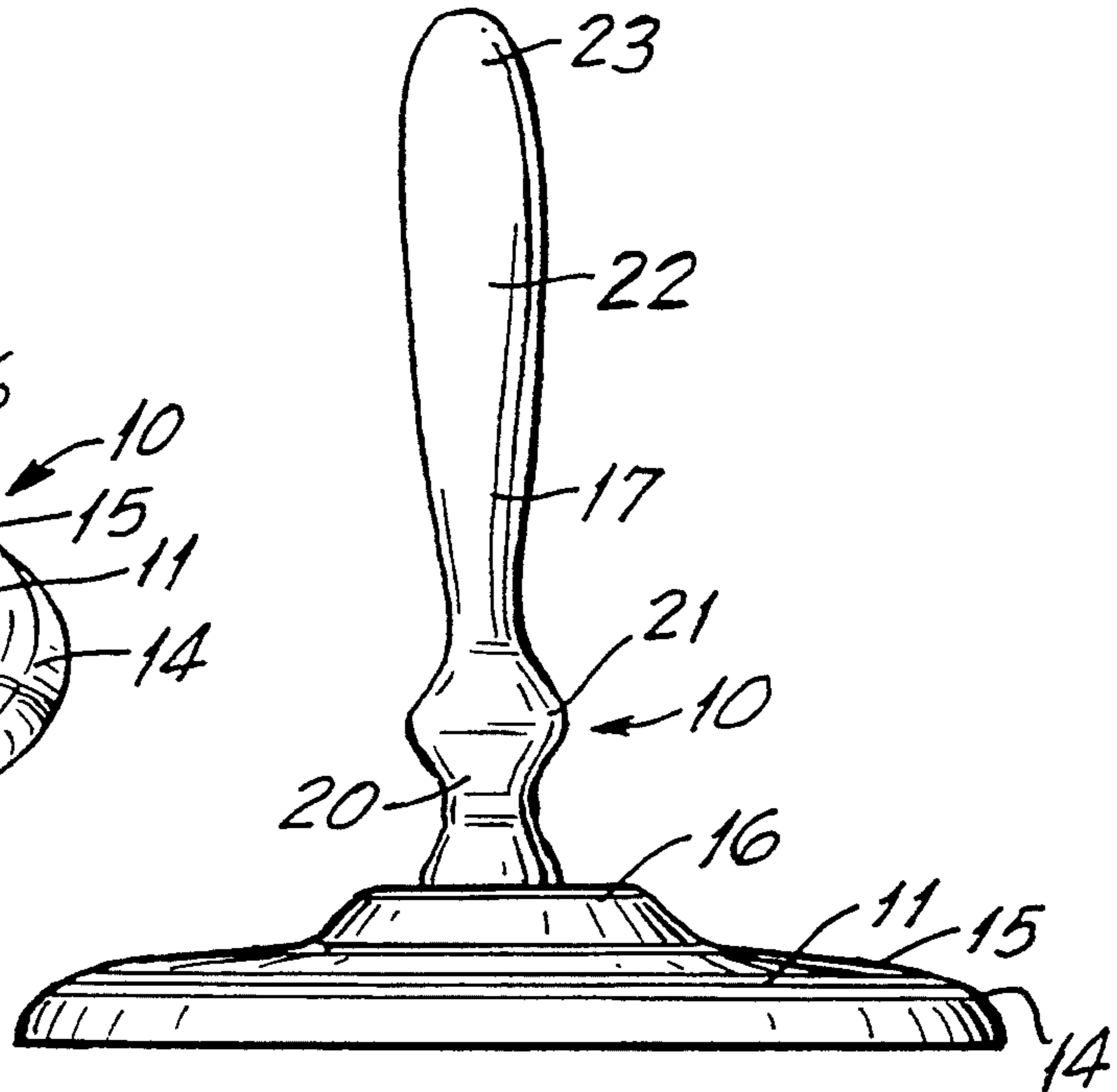


FIG. 2

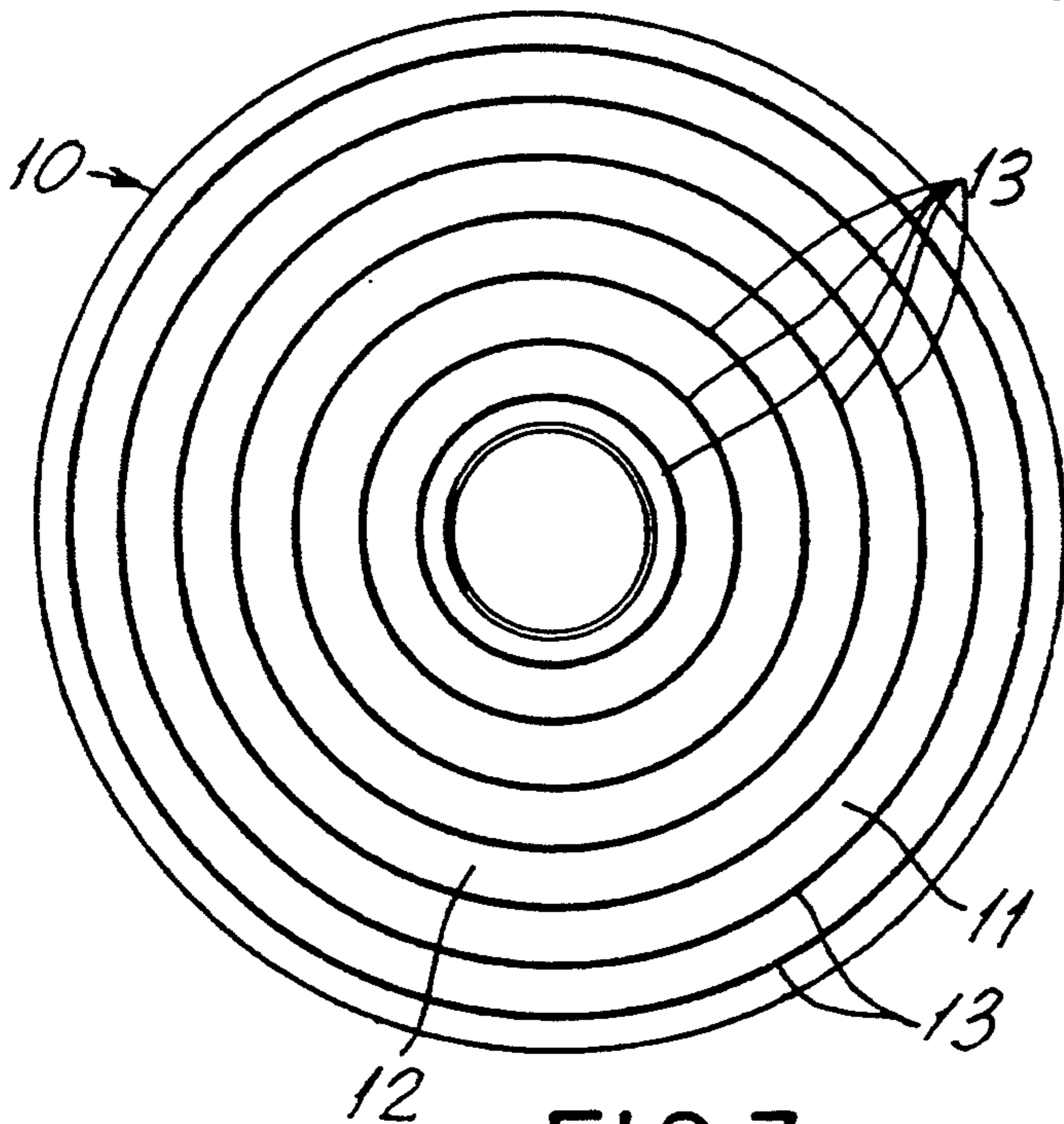


FIG. 3