



US00D350798S

# United States Patent [19]

[11] Patent Number: **Des. 350,798**

Luther

[45] Date of Patent: **\*\* Sep. 20, 1994**

[54] **GOLF TEE HOLDER**

3,203,700 8/1965 Antonious ..... D21/208 X

[76] Inventor: **Stephen J. Luther**, 6164 27th St.,  
Sacramento, Calif. 95822

*Primary Examiner*—Melvin B. Feifer  
*Assistant Examiner*—Cheri Cohen

[\*\*] Term: **14 Years**

[57] **CLAIM**

[21] Appl. No.: **6,688**

The ornamental design for a golf tee holder, as shown and described.

[22] Filed: **Apr. 5, 1993**

### DESCRIPTION

[52] U.S. Cl. .... **D21/208**

[58] Field of Search ..... 273/33, 32.5, 32 A,  
273/32 B, 35 R, 185 C, 195 A, 195 R, 196,  
201-212; 248/545; 434/252; D21/208, 234

FIG. 1 is a top perspective view of a golf tee holder showing my new design, holding a golf tee shown in broken lines for illustrative purposes and which forms no part of the claimed design;

FIG. 2 is a front elevational view thereof;

FIG. 3 is a rear elevational view thereof;

FIG. 4 is a left side elevational view thereof; the right side elevational view appears the same as the left side elevational view;

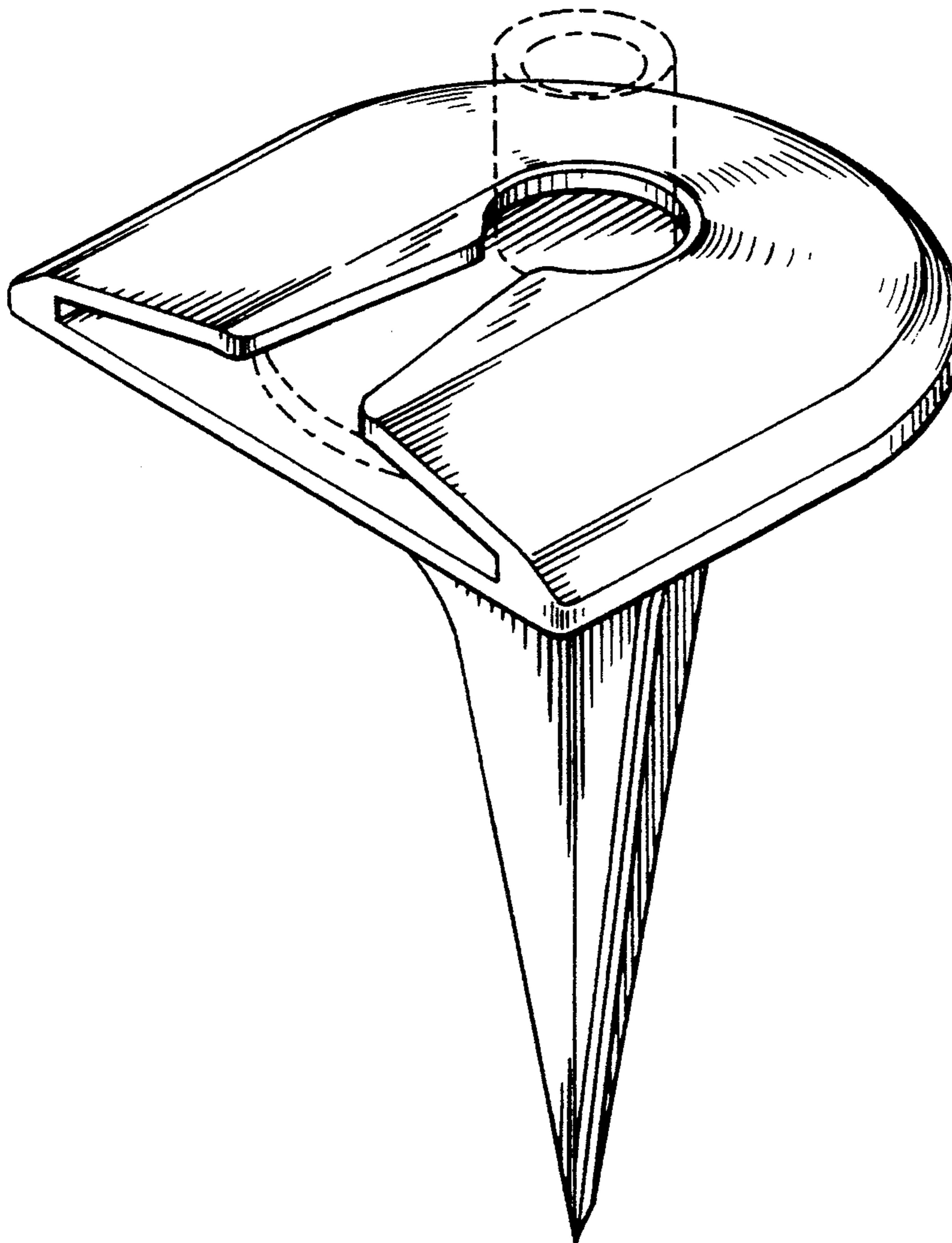
FIG. 5 is a top plan view thereof; and,

FIG. 6 is a bottom plan view thereof.

### [56] References Cited

#### U.S. PATENT DOCUMENTS

D. 75,984	8/1928	Reich	.....	D21/234
1,535,181	4/1925	Sawyer	.....	D21/208 X
1,616,683	2/1927	Eddy	.....	D21/208 X
1,675,335	7/1928	Drevitson	.....	D21/208 X



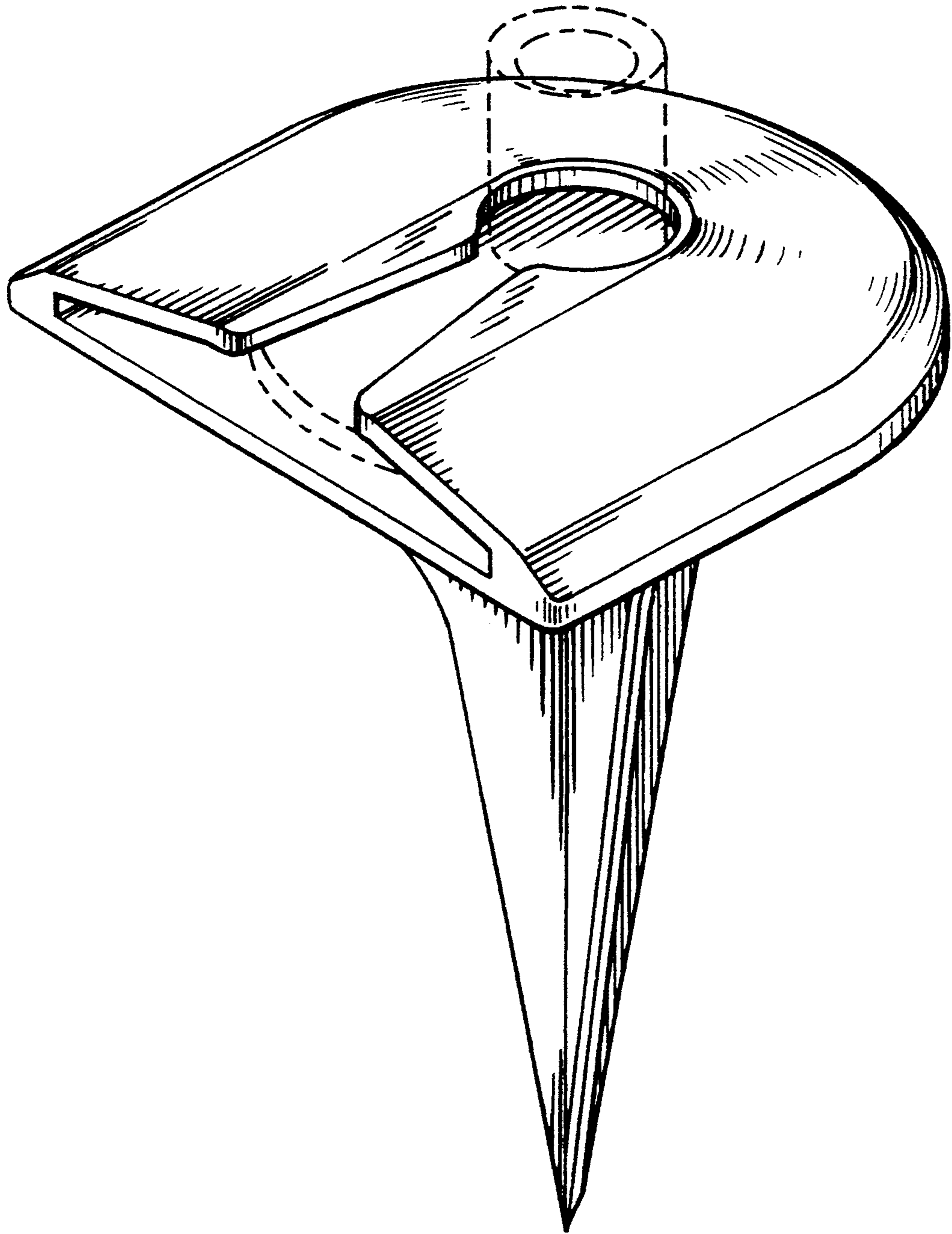


FIG. 1

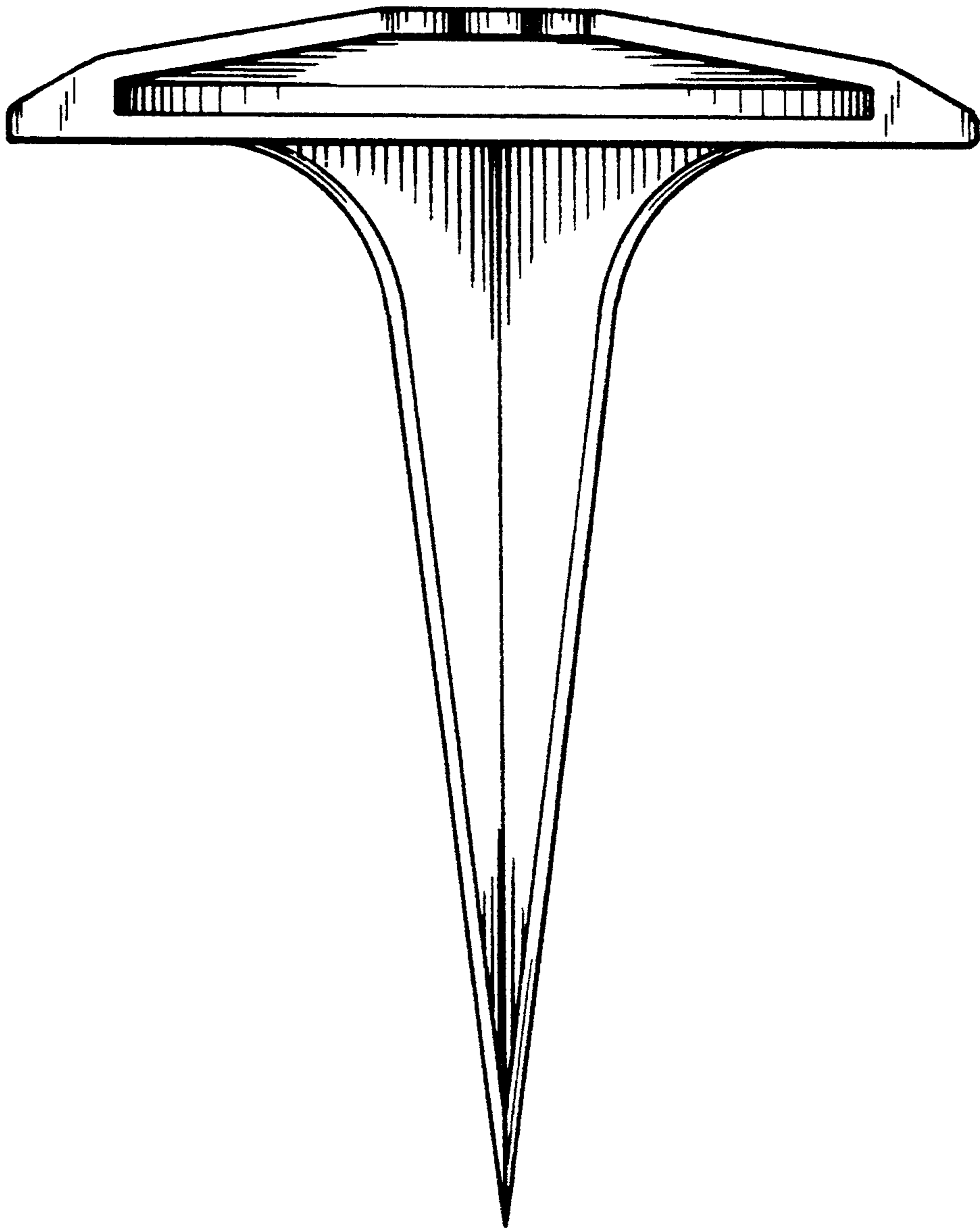


FIG. 2

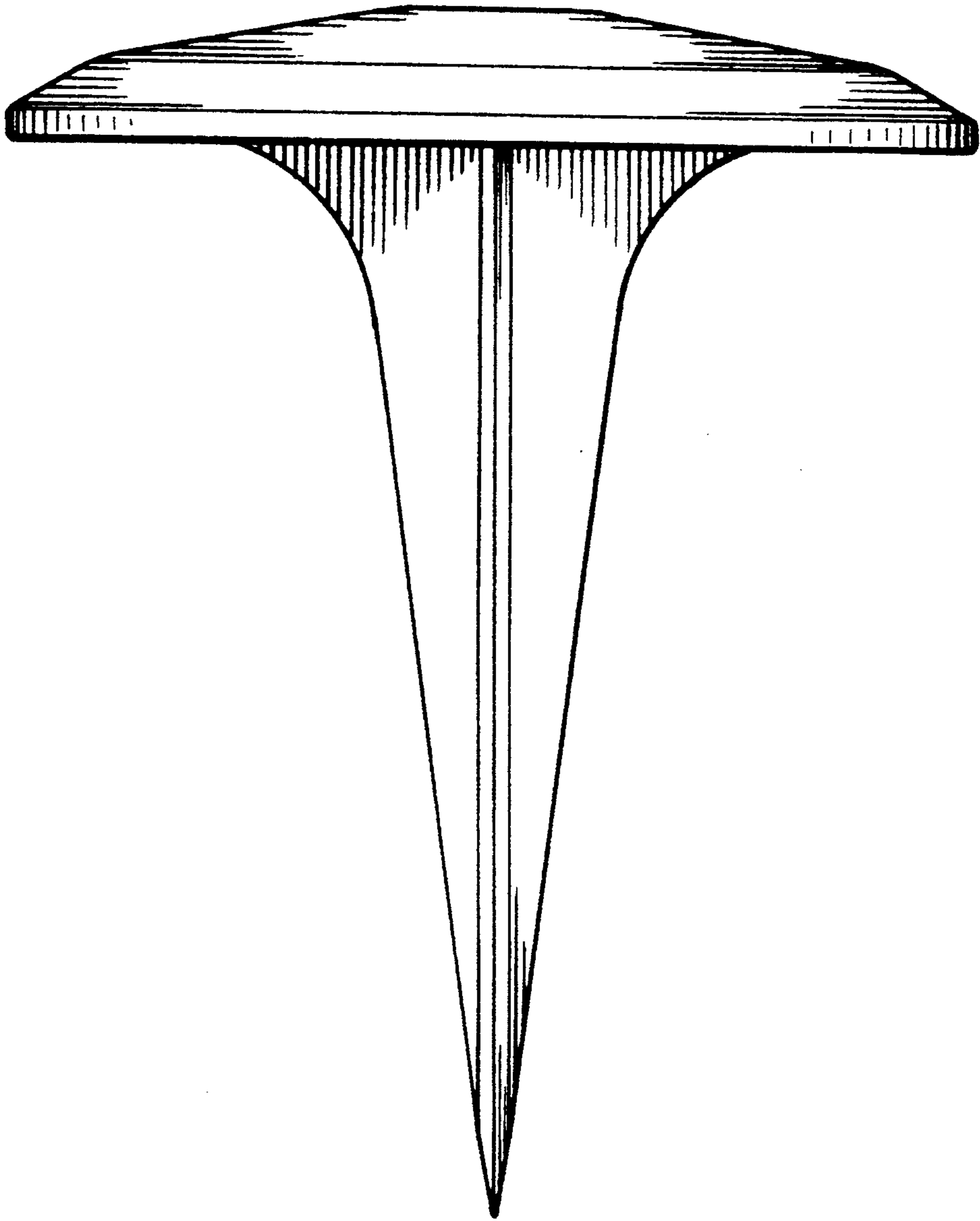


FIG. 3

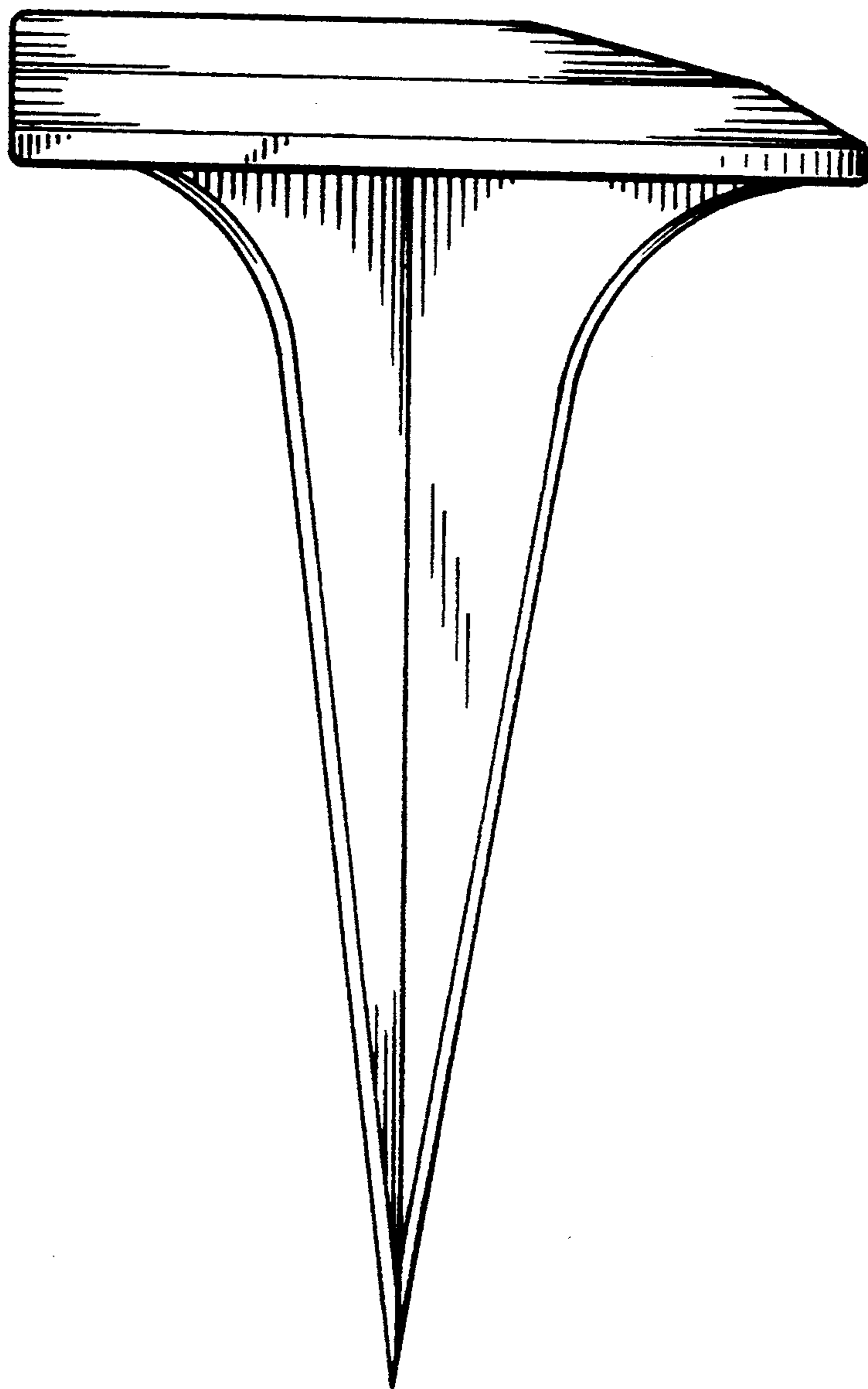


FIG. 4

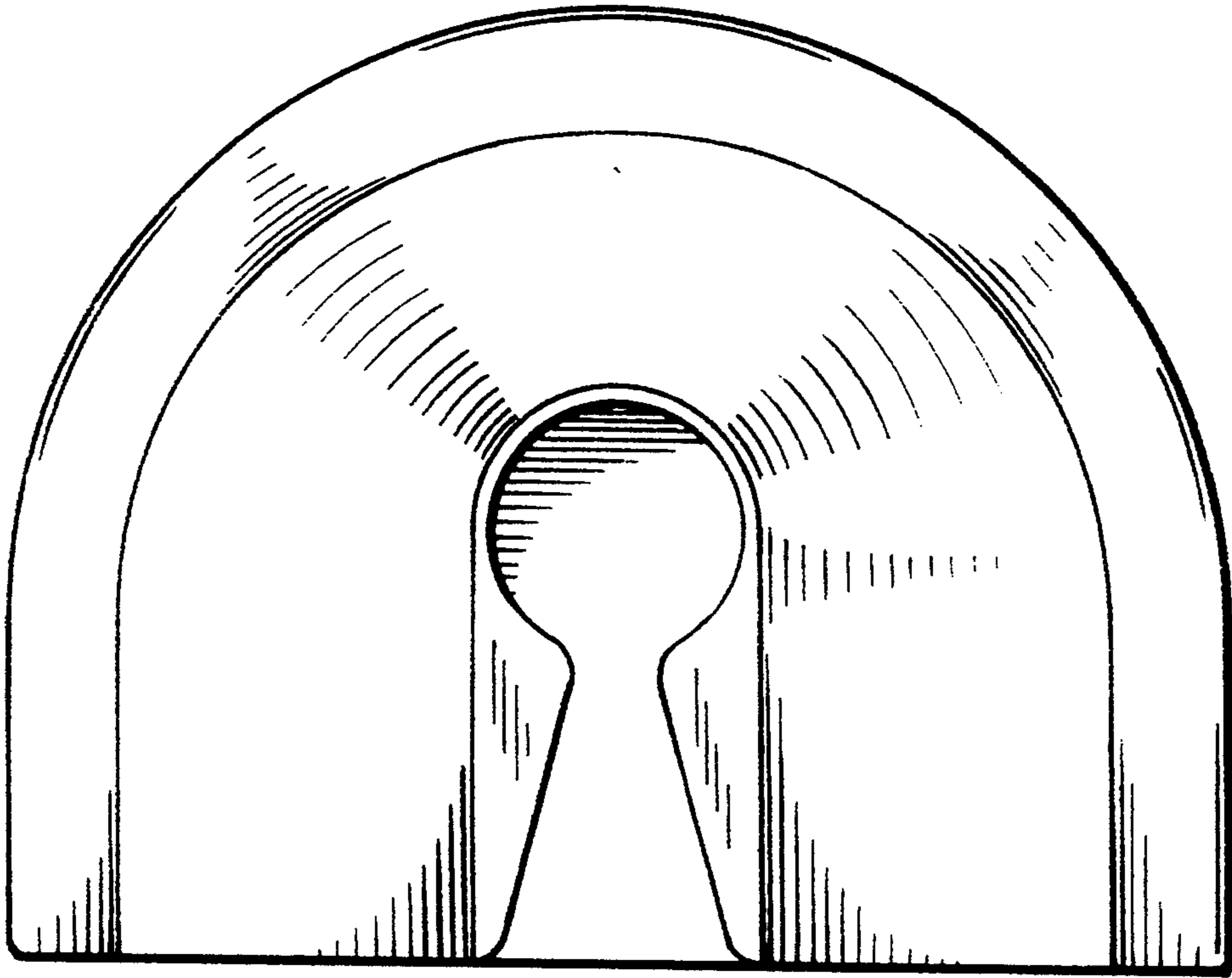


FIG. 5

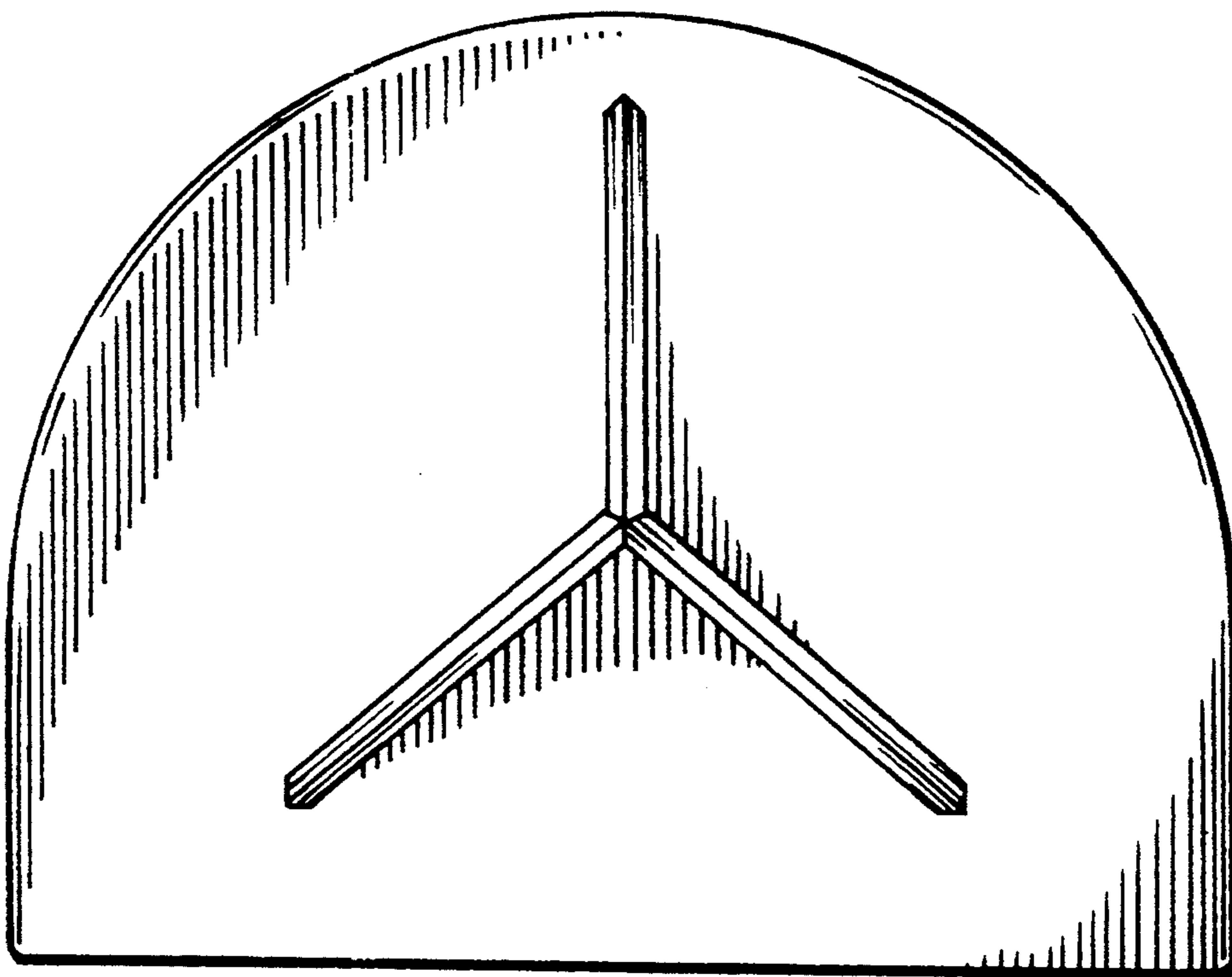


FIG. 6