



US00D350796S

# United States Patent [19]

[11] Patent Number: **Des. 350,796**

**Pravitz**

[45] Date of Patent: **\*\* Sep. 20, 1994**

[54] **GYROSCOPIC EXERCISER**

4,684,124 8/1987 Escher ..... 482/110  
5,150,625 9/1992 Mishler ..... 446/233

[76] Inventor: **Kenneth L. Pravitz**, 51 E. Grand Blvd., Corona, Calif. 91719

*Primary Examiner*—Bernard Ansher  
*Assistant Examiner*—Philip Hyder  
*Attorney, Agent, or Firm*—Willie Krawitz

[\*\*] Term: **14 Years**

[21] Appl. No.: **5,817**

[57] **CLAIM**

[22] Filed: **Mar. 11, 1993**

The ornamental design for a gyroscopic exerciser, as shown.

[52] U.S. Cl. .... **D21/198; D21/92**

[58] Field of Search ..... 74/5 R; 446/233, 235, 446/236, 419; 482/45, 46, 109, 110, 115; D21/191, 198, 92

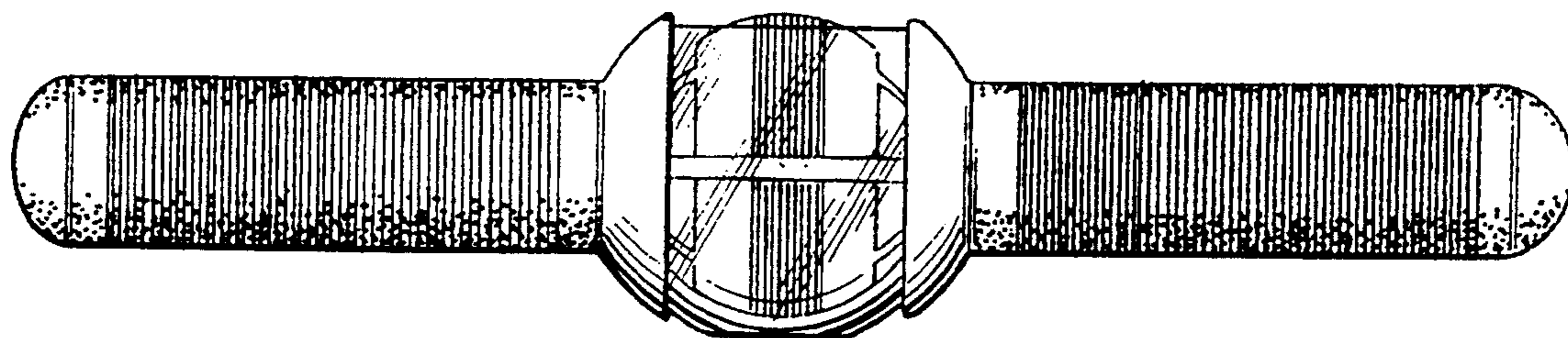
**DESCRIPTION**

[56] **References Cited**

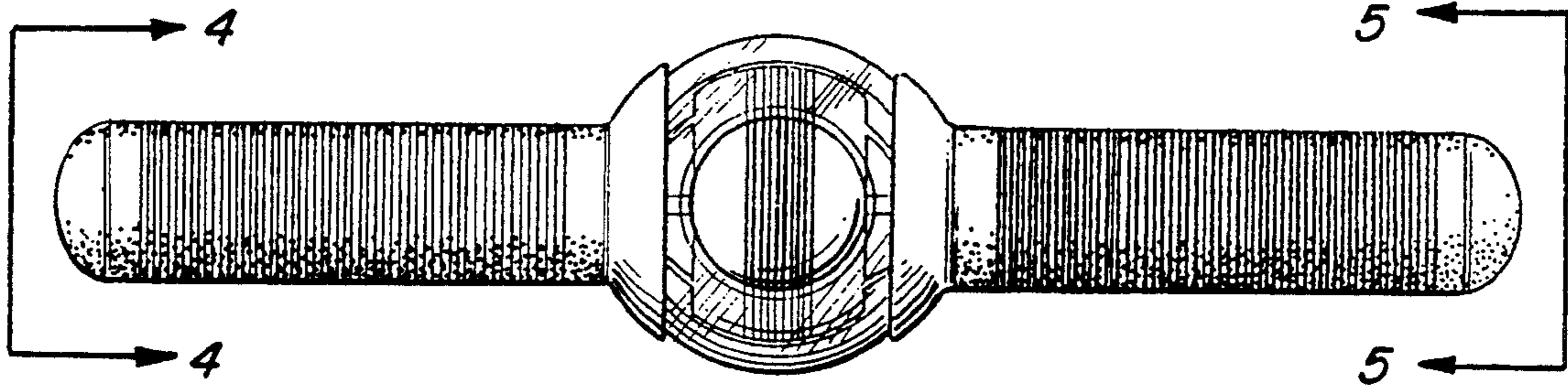
**U.S. PATENT DOCUMENTS**

2,920,418 1/1960 Britt ..... 482/46  
2,973,962 3/1961 Griffin ..... 482/46  
4,150,580 4/1979 Silkebakken et al. .... 446/233

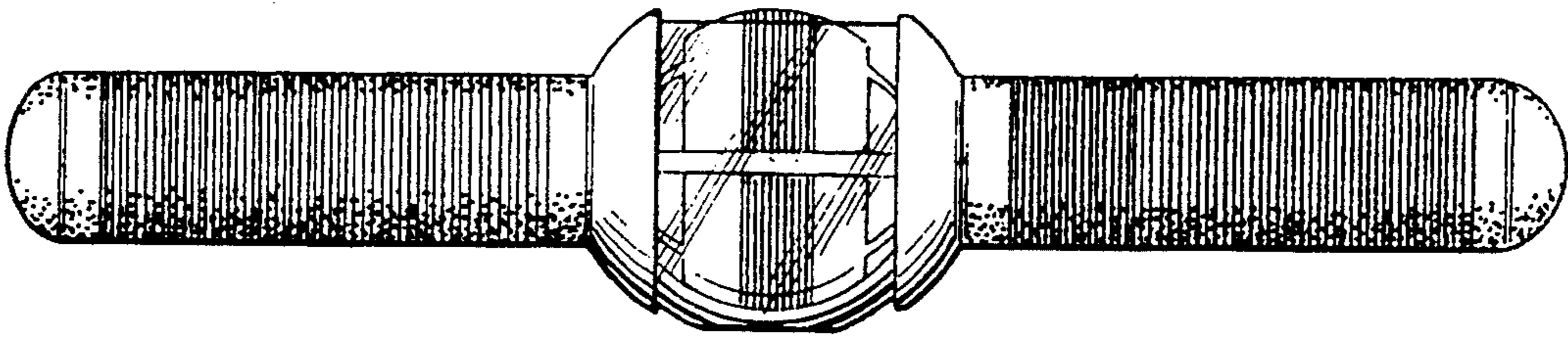
FIG. 1 is a front elevation view of a gyroscopic exerciser showing my new design;  
FIG. 2 is a bottom plan view thereof;  
FIG. 3 is a rear elevation view thereof;  
FIG. 4 is an end view taken along lines 4—4 of FIG. 1; and,  
FIG. 5 is an end view taken along lines 5—5 of FIG. 1.



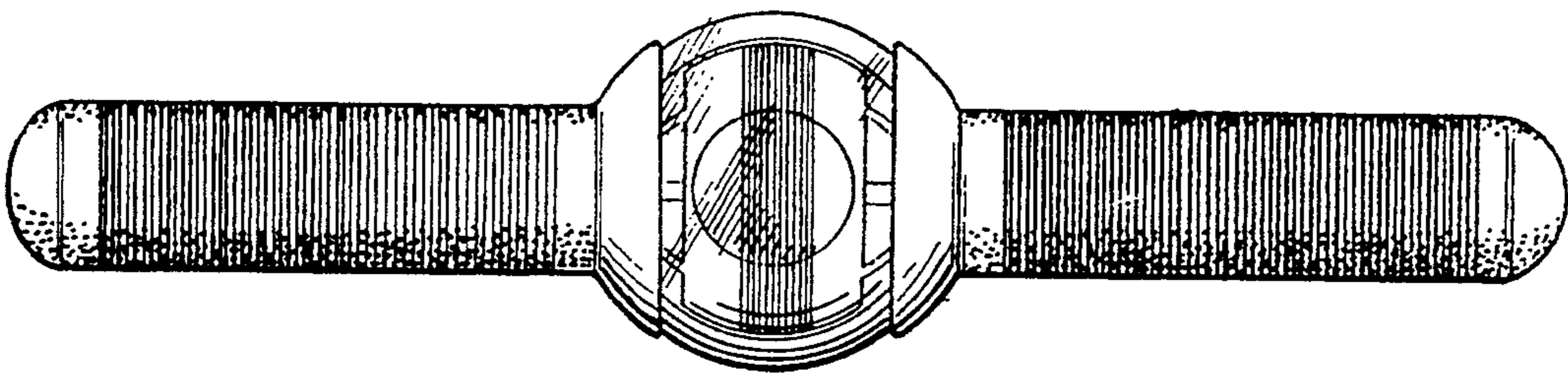
*FIG. 1*



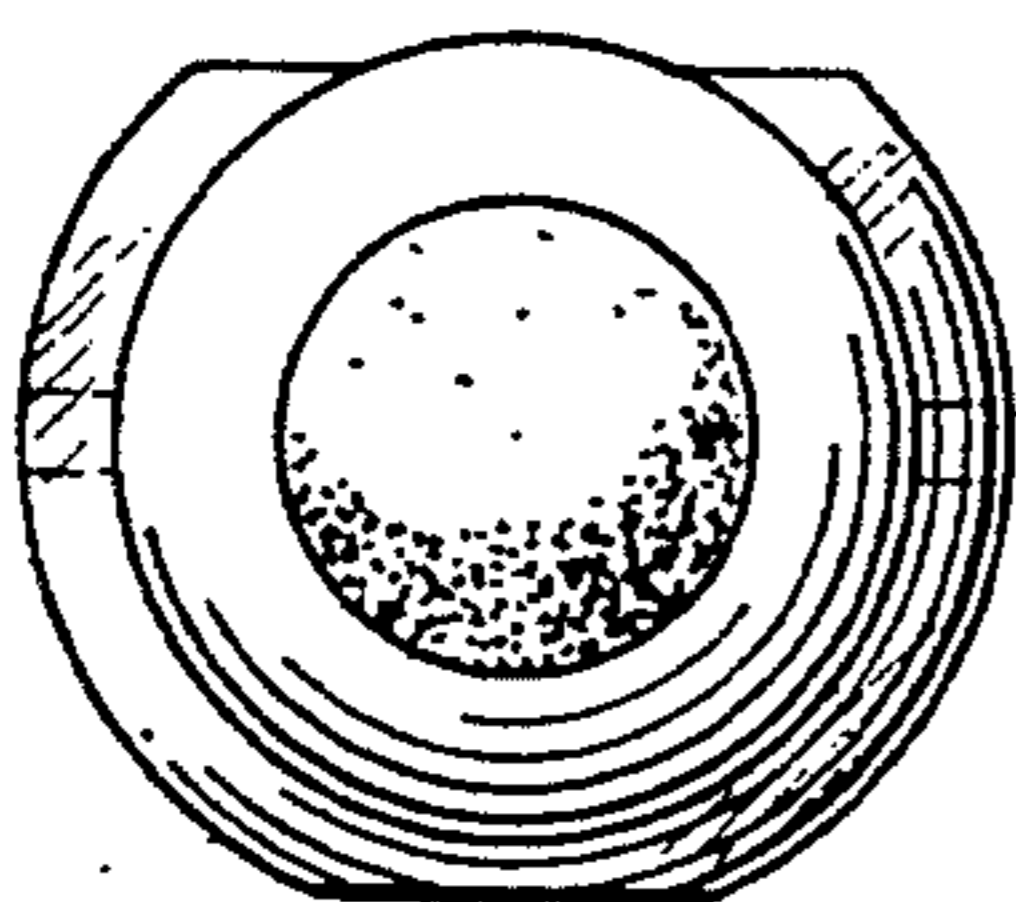
*FIG. 2*



*FIG. 3*



*FIG. 4*



*FIG. 5*

