



US00D350795S

United States Patent [19] Barbour

[11] Patent Number: Des. 350,795
[45] Date of Patent: ** Sep. 20, 1994

[54] PHYSICAL EXERCISER
[76] Inventor: Charles L. Barbour, 1618 Trailridge Rd., Charlottesville, Va. 22903
[**] Term: 14 Years
[21] Appl. No.: 9,203
[22] Filed: Jun. 8, 1993
[52] U.S. Cl. D21/191
[58] Field of Search 482/121, 122, 123, 124, 482/125, 126, 83; D2/627, 628, 629; D21/191, 198

4,865,316 9/1989 Yeaman 482/126
4,909,505 3/1990 Tee 482/129
4,911,439 3/1990 Kuhl 482/124
4,955,608 9/1990 Dougherty et al. 482/124
4,961,573 10/1990 Wehrell 482/83

Primary Examiner—Melvin B. Feifer
Assistant Examiner—Philip Hyder
Attorney, Agent, or Firm—Richard C. Litman

[57] CLAIM

The ornamental design for a physical exerciser, as shown and described.

DESCRIPTION

FIG. 1 is an environmental perspective view of a physical exerciser, showing my new design;
FIG. 2 is a top plan view thereof, the bottom view being a mirror image thereof;
FIG. 3 is a front elevational view thereof;
FIG. 4 is a rear view thereof;
FIG. 5 is a right side elevational view thereof; and,
FIG. 6 is a left side elevational view thereof.
The broken line showing of the man and dog figures and cord in FIG. 1 is for illustrative purposes only and forms no part of the claimed design.

[56] References Cited U.S. PATENT DOCUMENTS

1,432,013	10/1922	Blake	482/124
1,477,680	12/1923	Zetlin	24/3 M
1,618,273	2/1927	Davidson	482/124
2,097,376	10/1937	Marshman	482/124
3,184,883	5/1965	McCook	482/124
3,458,188	7/1969	Infante	24/3 R
4,415,106	11/1983	Connell et al.	24/3 A
4,441,707	4/1984	Bosch	482/131
4,540,173	9/1985	Hopkins, Jr.	482/124
4,685,671	8/1987	Hagerman et al.	482/129



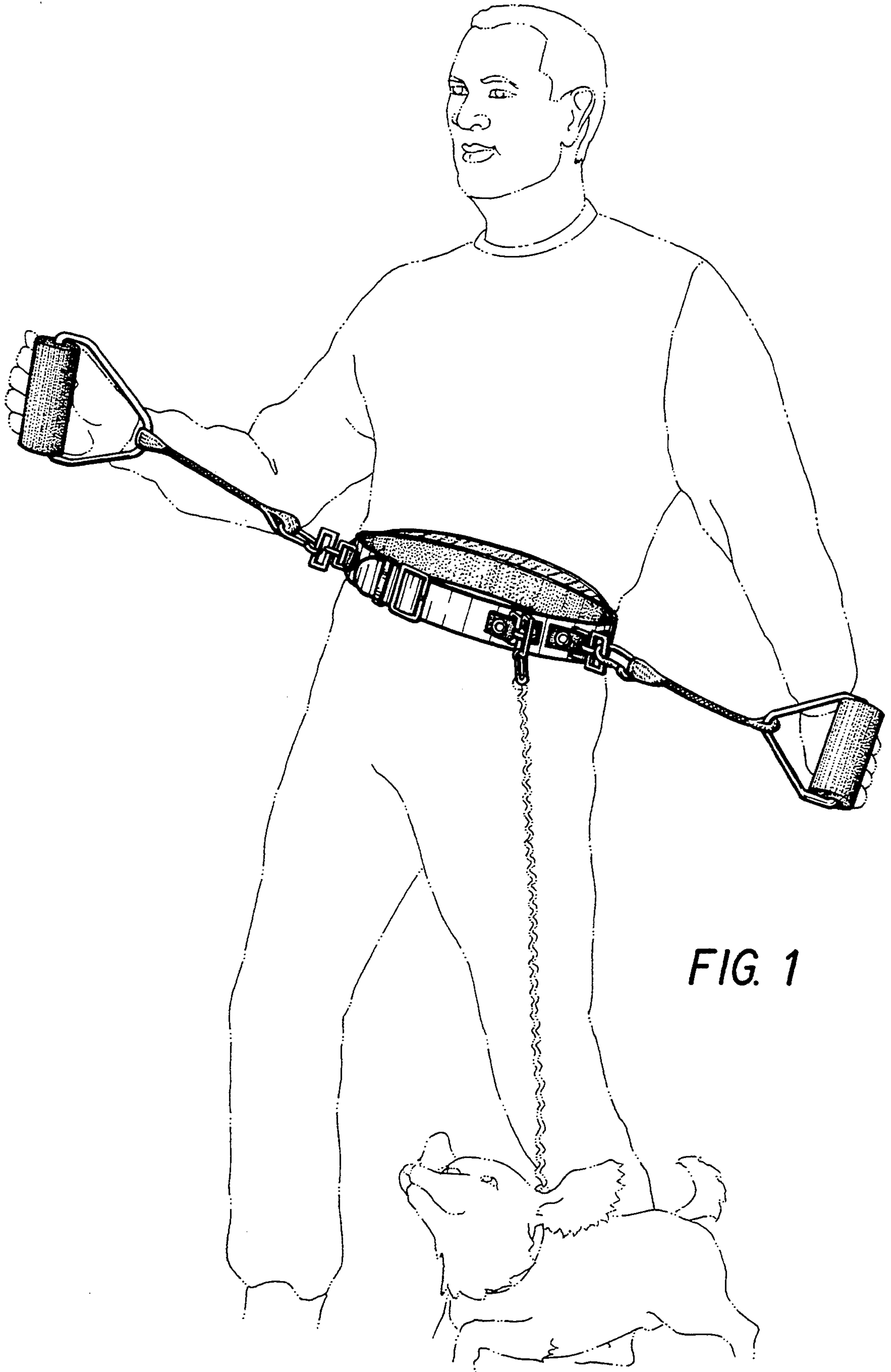


FIG. 1

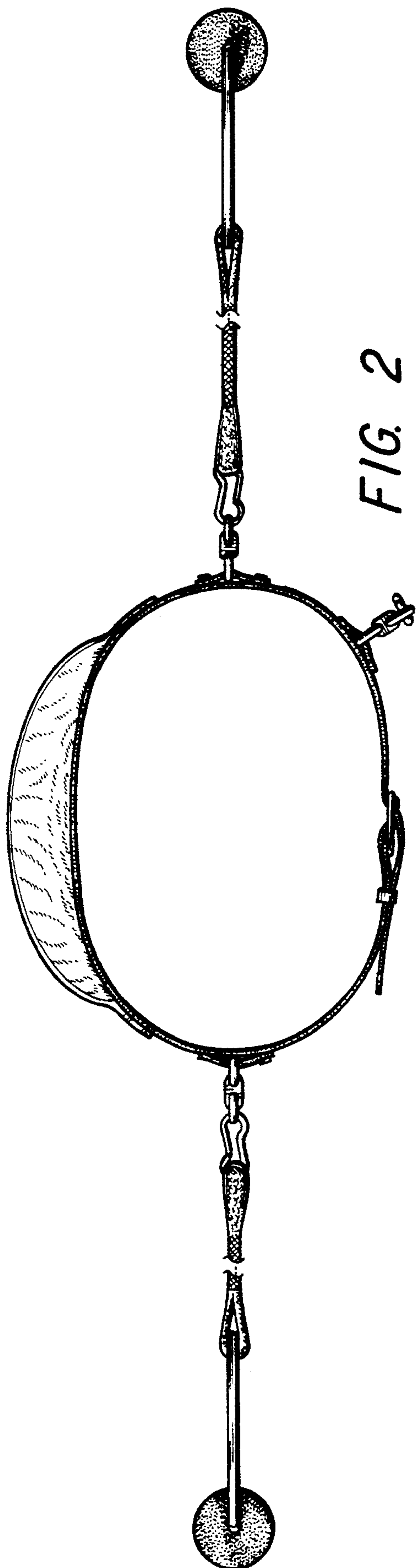


FIG. 2

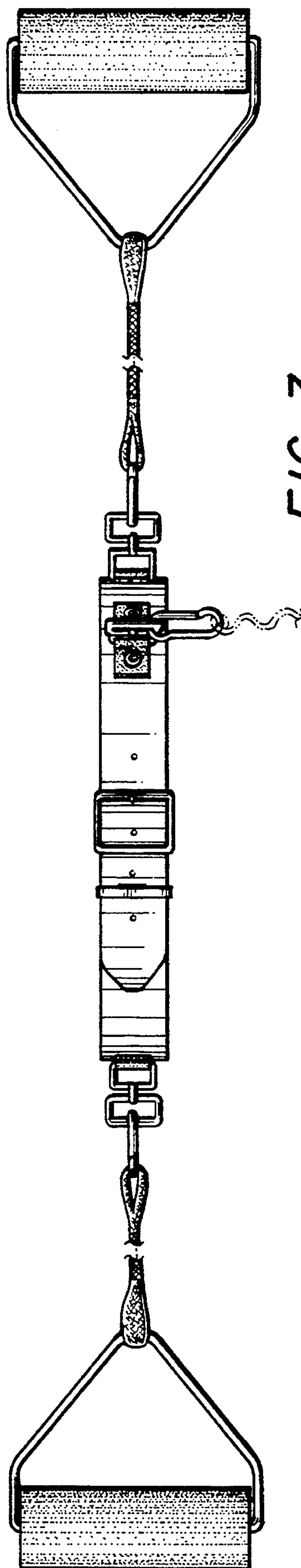


FIG. 3

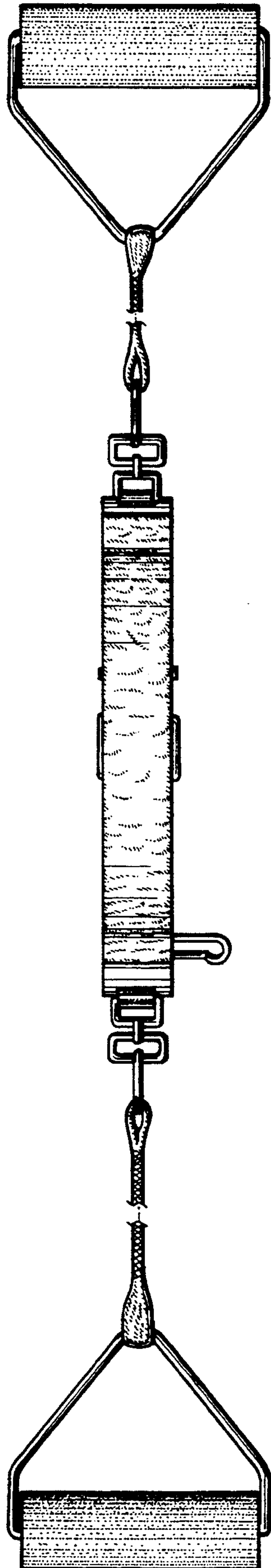


FIG. 4

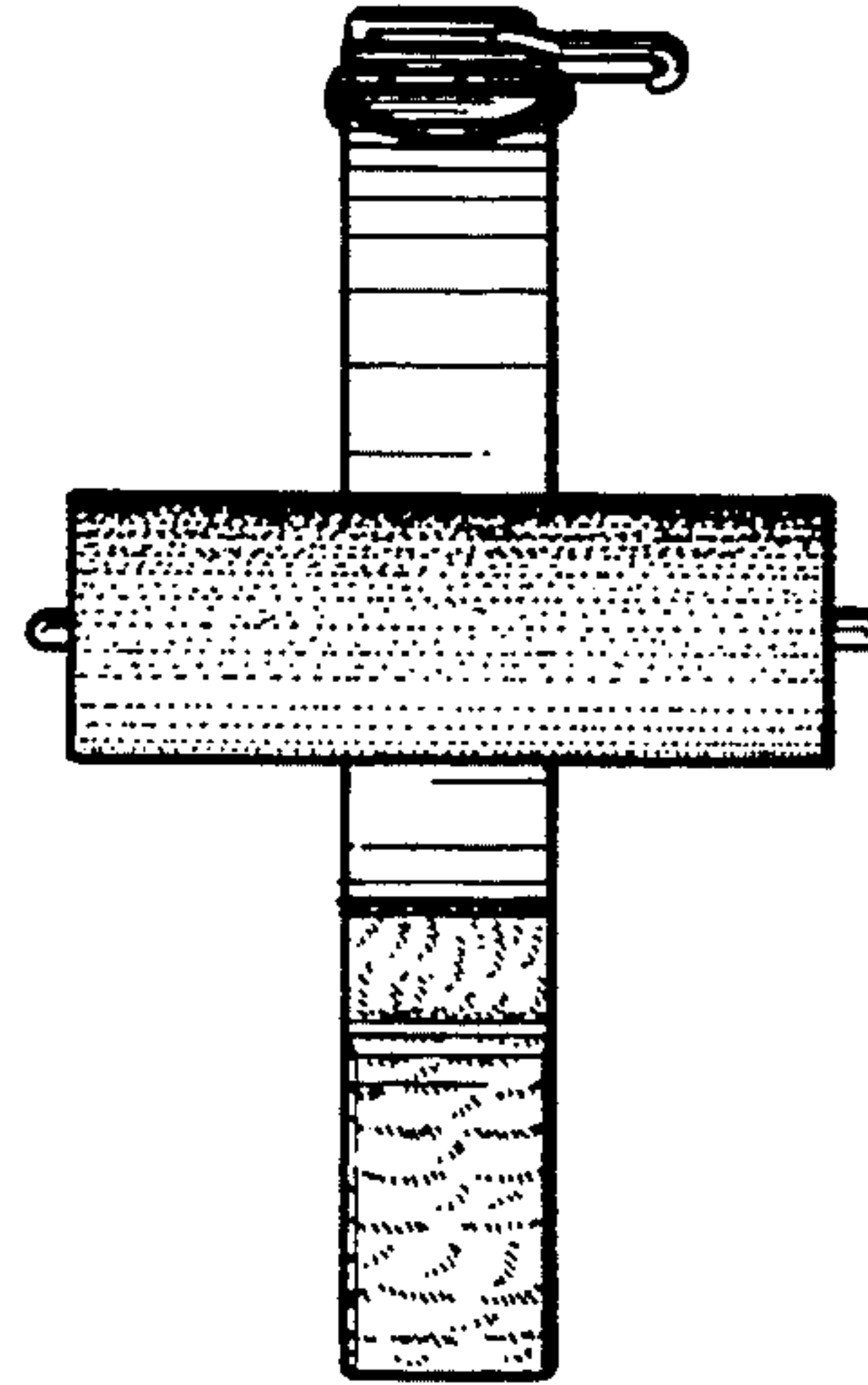


FIG. 6

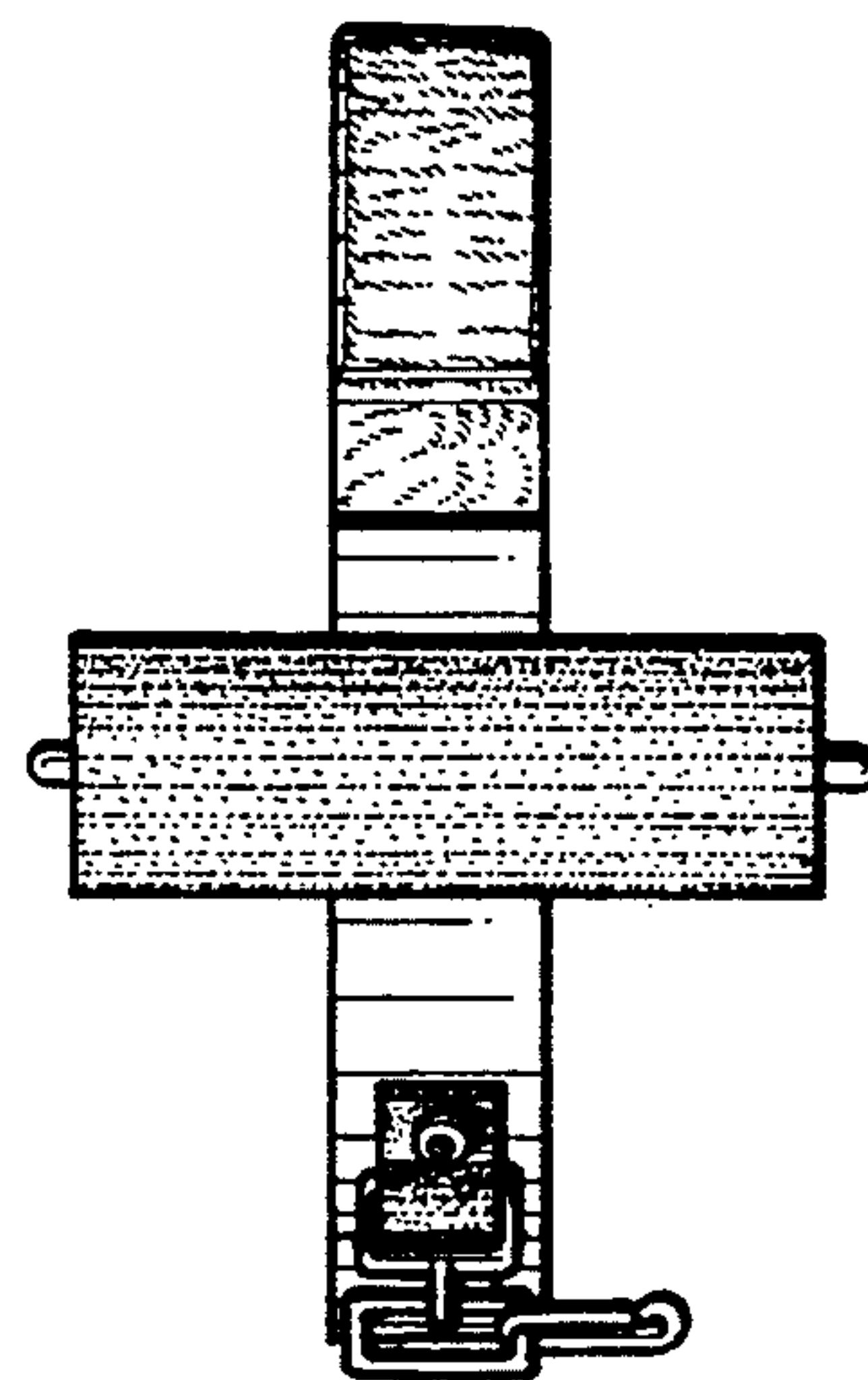


FIG. 5