



US00D350794S

United States Patent [19]

[11] Patent Number: Des. 350,794

Bro et al.

[45] Date of Patent: ** Sep. 20, 1994

[54] TOY PUPPY FIGURE

[75] Inventors: Jay M. Bro; Philip M. Baerenwald,
both of Plano, Tex.

[73] Assignee: Today's Kids, Inc., Booneville, Ark.

[**] Term: 14 Years

[21] Appl. No.: 4,448

[22] Filed: Feb. 5, 1993

[52] U.S. Cl. D21/161; D19/59

[58] Field of Search 434/259; 273/97;
D19/59; D21/161

[56] **References Cited**

U.S. PATENT DOCUMENTS

D. 143,703	2/1946	Berkowitz	D21/161
D. 267,896	2/1983	Nuttall et al.	D21/150
D. 292,012	9/1987	Thomson et al.	D21/159
3,375,604	4/1968	Alonso	46/22
3,545,798	12/1970	Swett	287/119
3,760,511	9/1973	Matsumoto	434/259
4,215,509	8/1980	Mariol	46/22

OTHER PUBLICATIONS

Hong Kong Toys, 1982, p. 184, left, Learn N'Play.
Copy of p. 860 of Official Gazette dated Nov. 28, 1926,
illustrated statuette for Studdy.

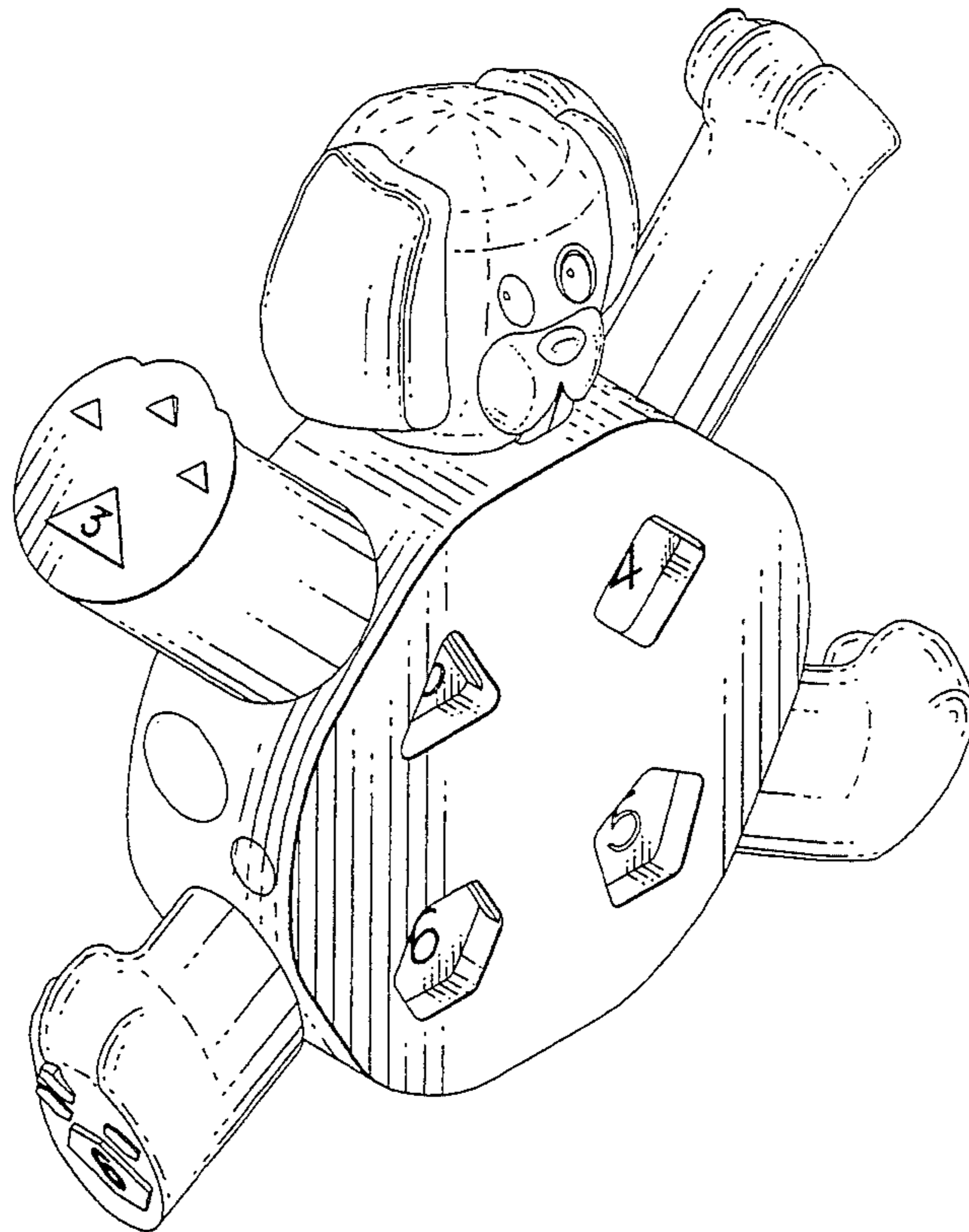
Primary Examiner—Melvin B. Feifer
Attorney, Agent, or Firm—Kirkpatrick & Lockhart

[57] **CLAIM**

The ornamental design for toy puppy figure, as shown and described.

DESCRIPTION

FIG. 1 is a perspective view of an embodiment of a toy puppy figure showing our new design;
 FIG. 2 is a front elevational view of the toy puppy figure of FIG. 1;
 FIG. 3 is a back elevational view of the toy puppy figure of FIG. 1;
 FIG. 4 is a right side elevational view of the toy puppy figure of FIG. 1;
 FIG. 5 is a left side elevational view of the toy puppy figure of FIG. 1;
 FIG. 6 is a top view of the toy puppy figure of FIG. 1;
 FIG. 7 is a bottom view of the toy puppy figure of FIG. 1;
 FIG. 8 is a perspective view of another embodiment of a toy puppy figure showing our new design;
 FIG. 9 is a front elevational view of the toy puppy figure of FIG. 8;
 FIG. 10 is a back elevational view of the toy puppy figure of FIG. 8;
 FIG. 11 is a right side elevational view of the toy puppy figure of FIG. 8;
 FIG. 12 is a left side elevational view of the toy puppy figure of FIG. 8;
 FIG. 13 is a top view of the toy puppy figure of FIG. 8;
 and,
 FIG. 14 is a bottom view of the toy puppy figure of FIG. 8.



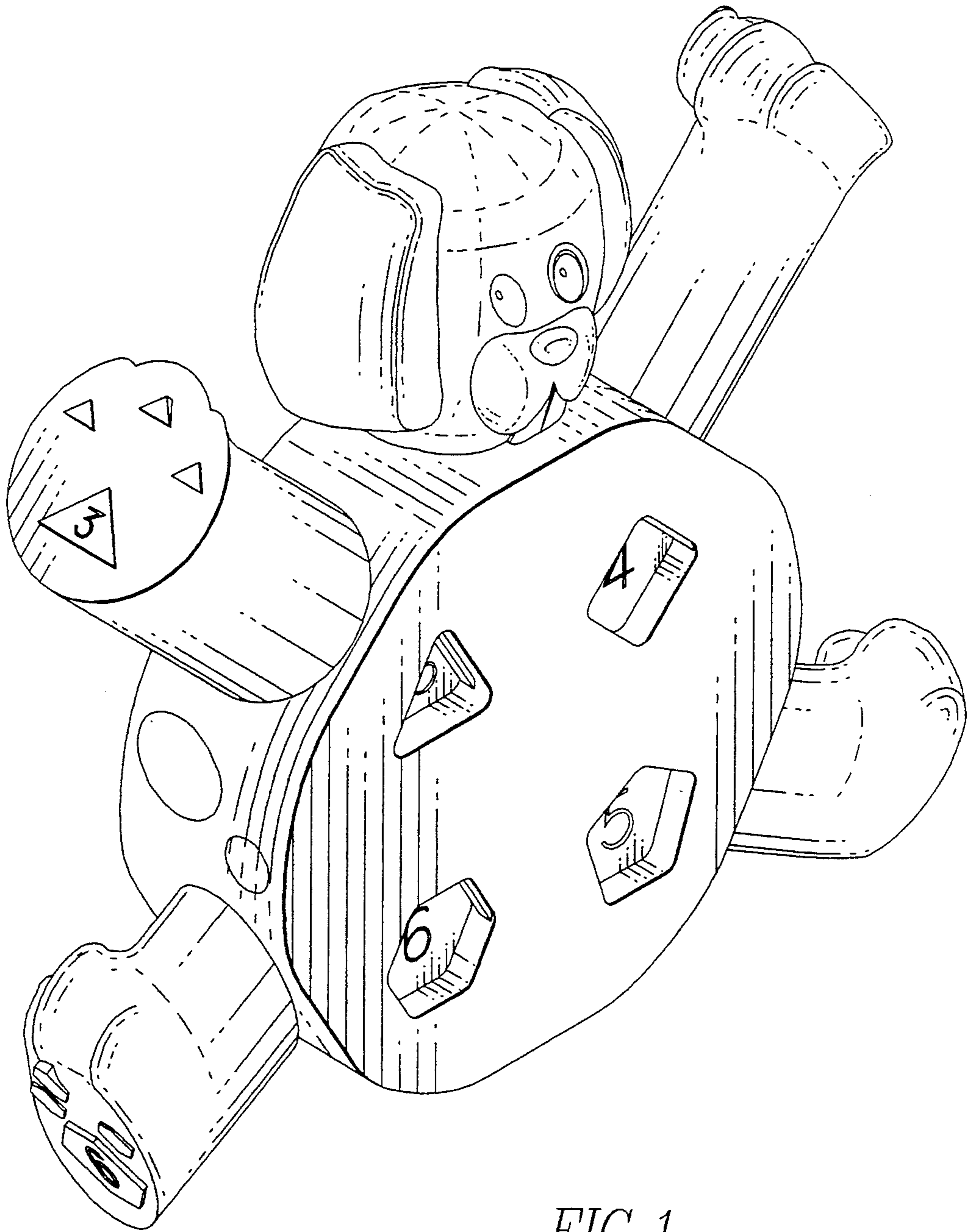


FIG. 1

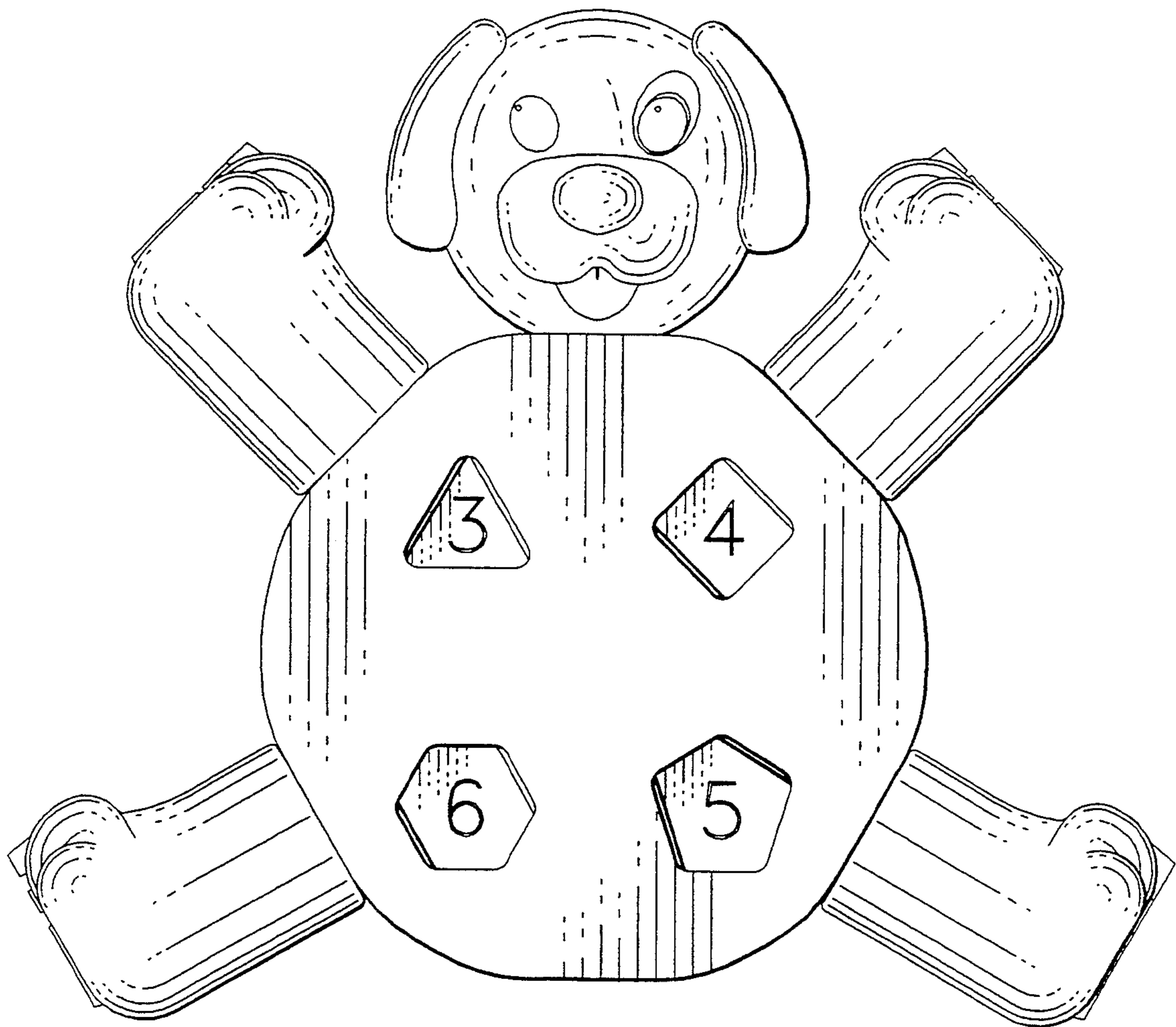


FIG. 2

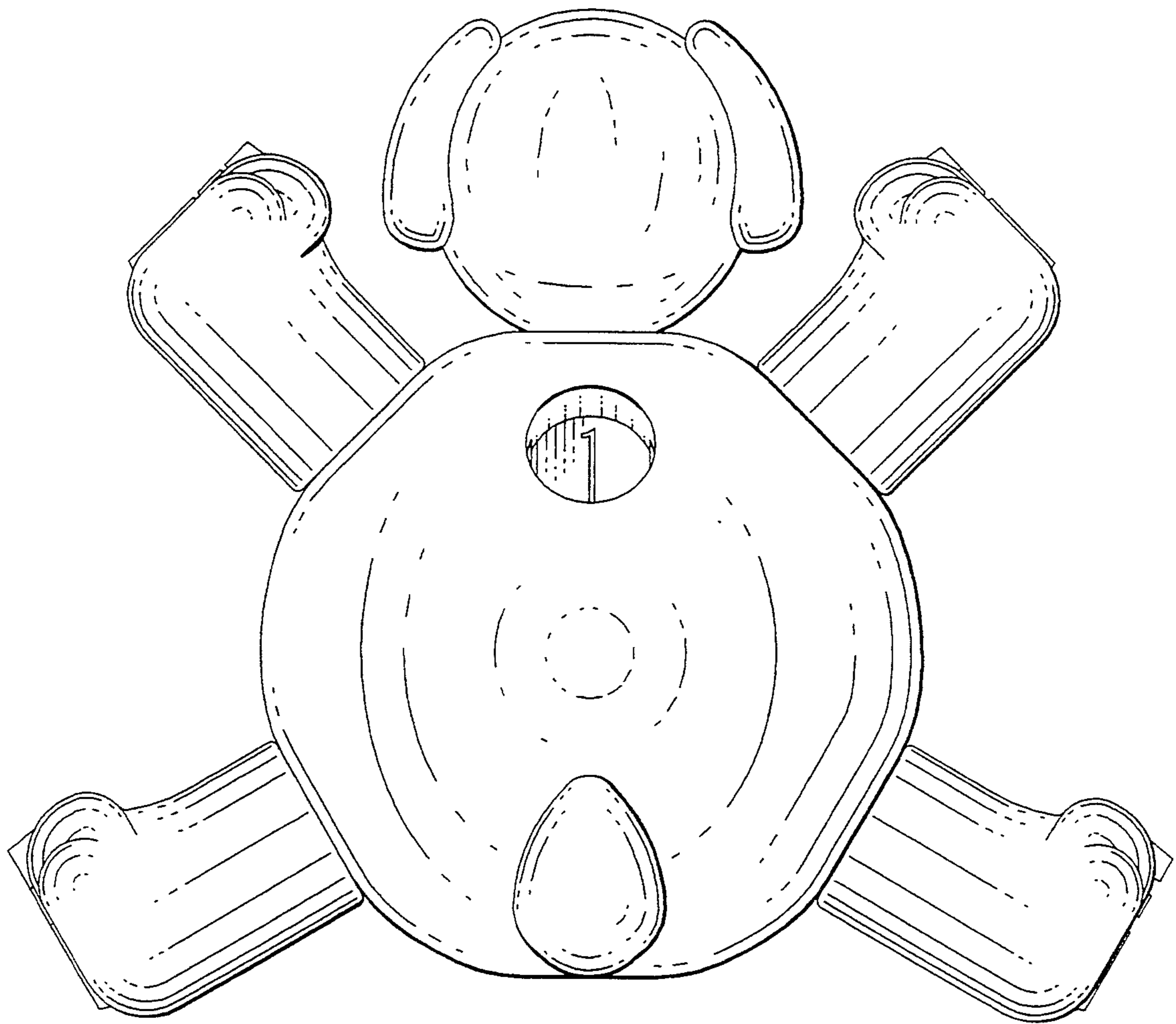


FIG. 3

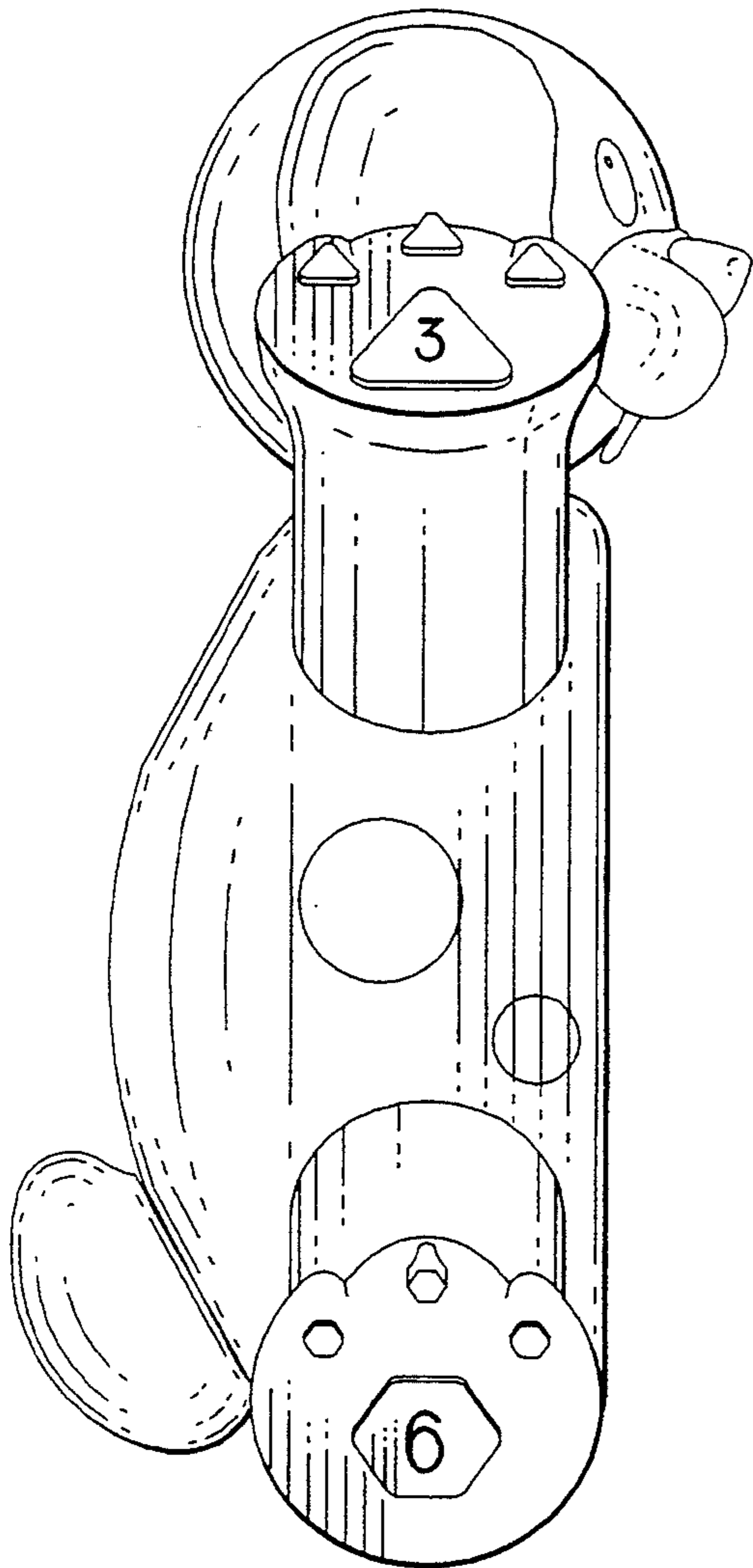


FIG. 5

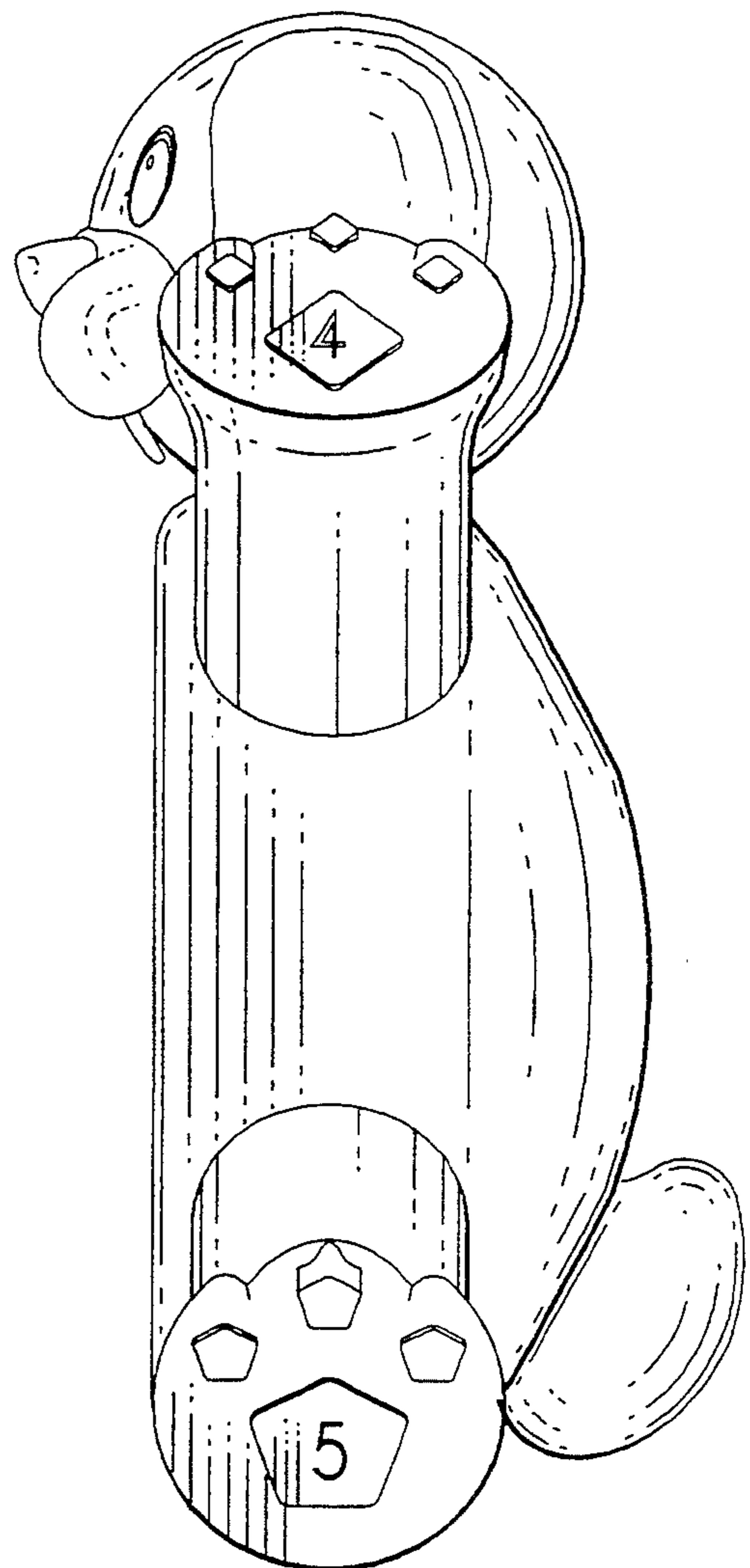


FIG. 4

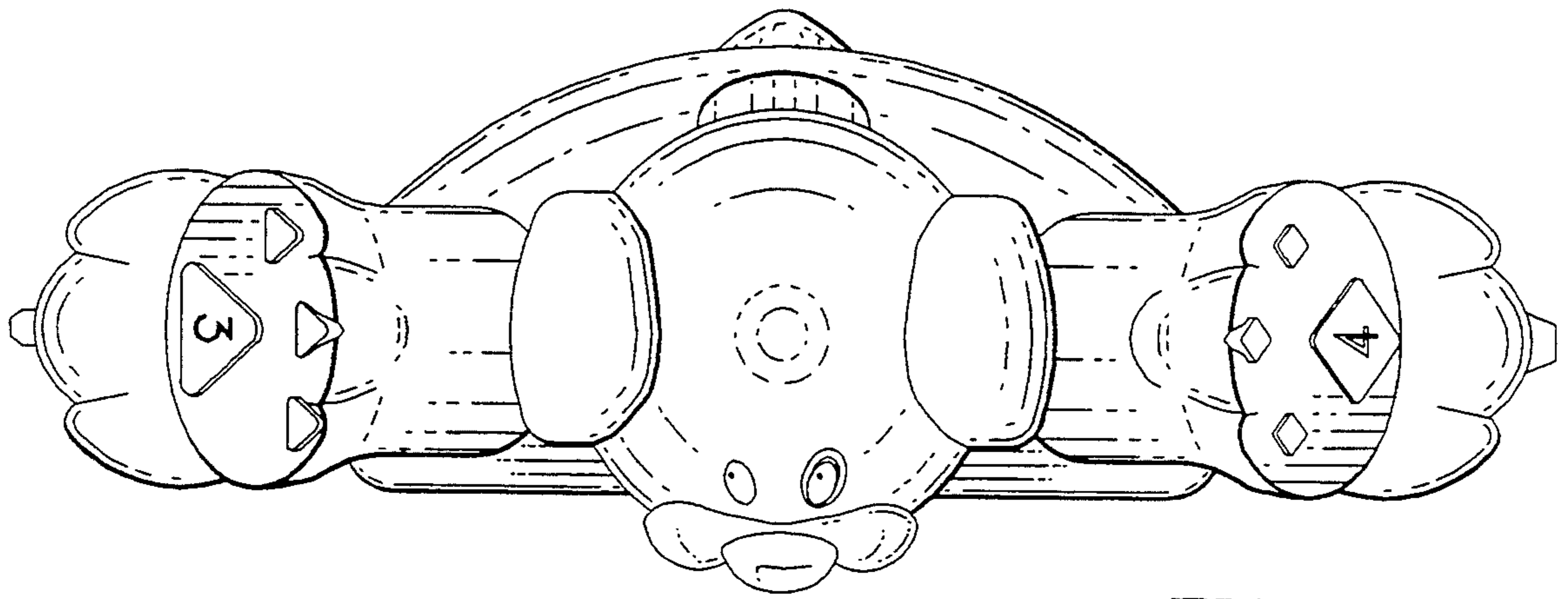


FIG. 6

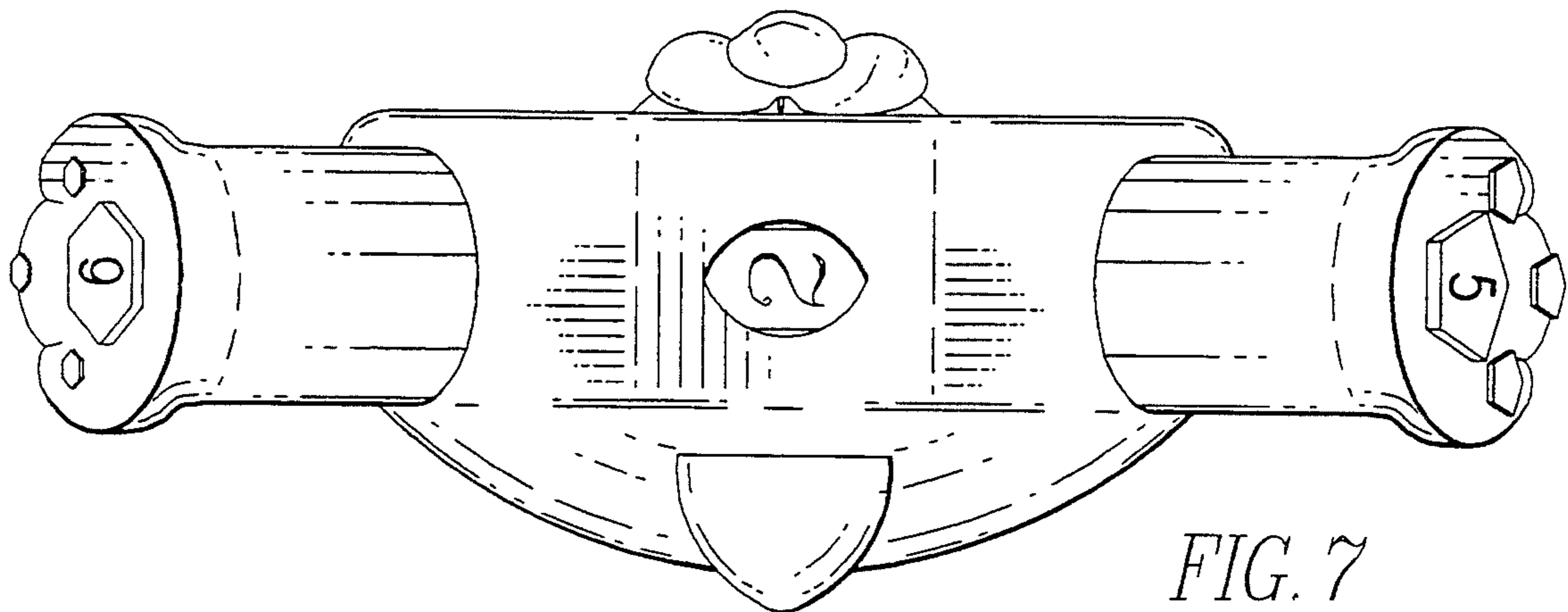


FIG. 7

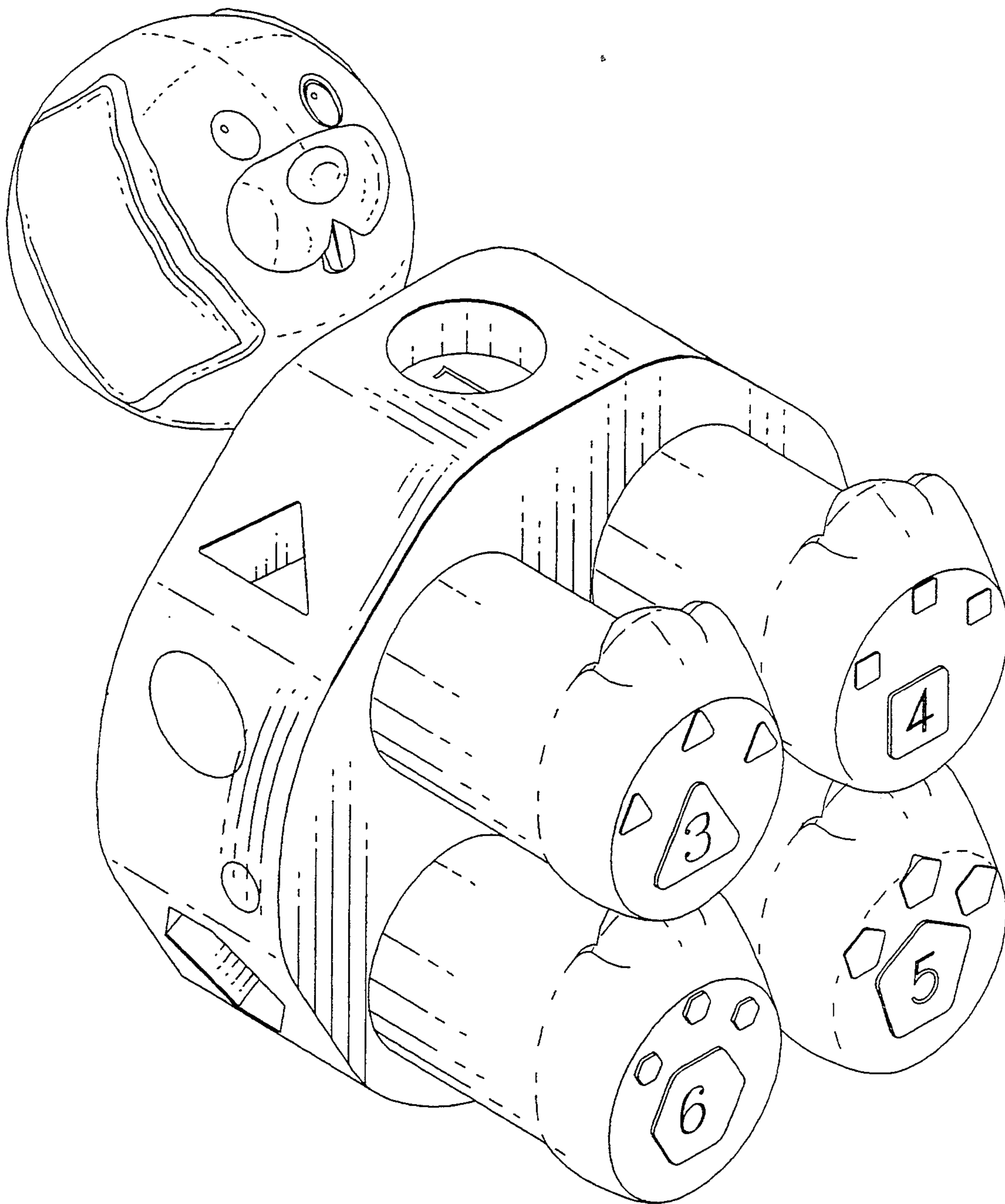


FIG. 8

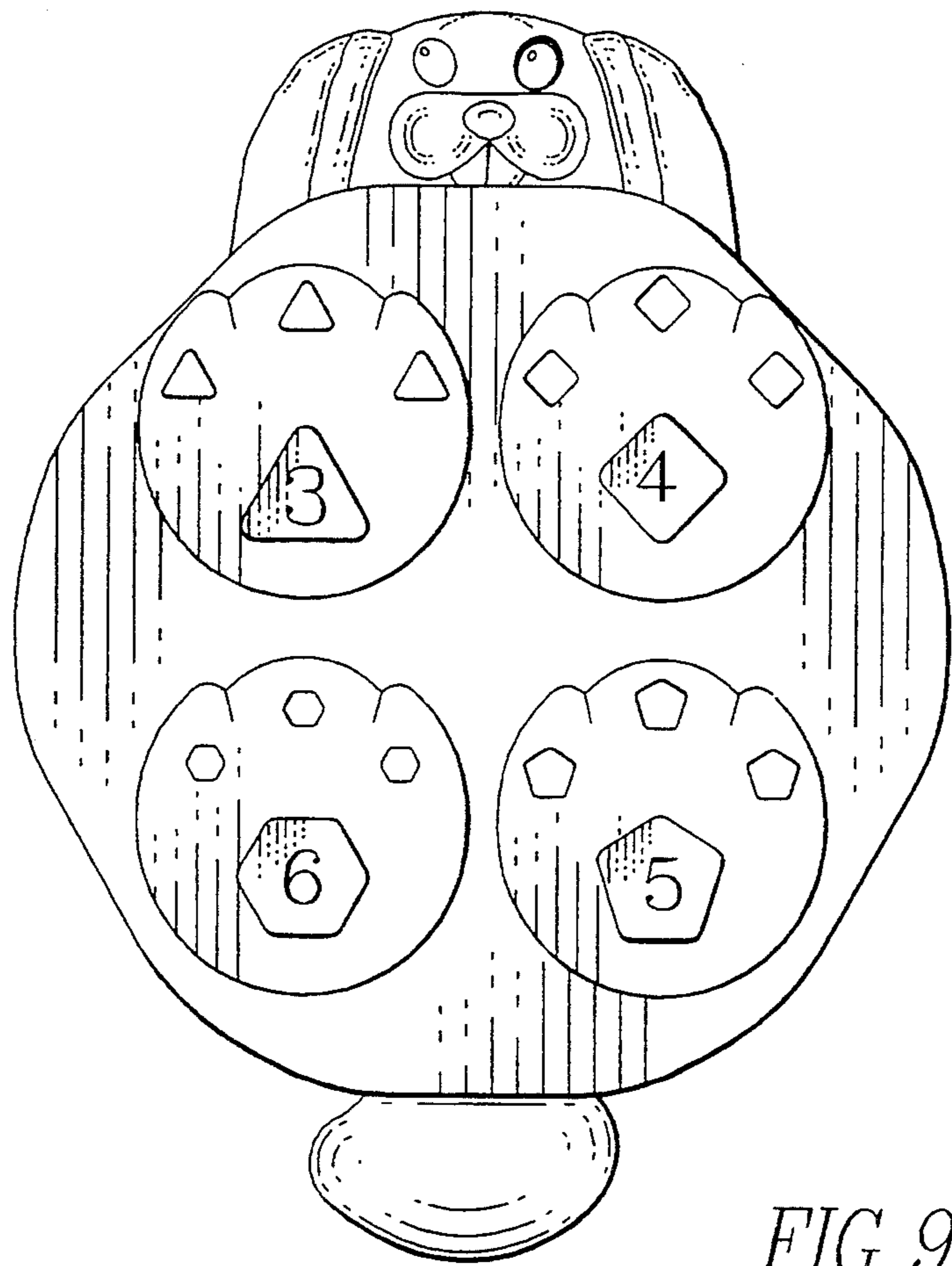


FIG. 9

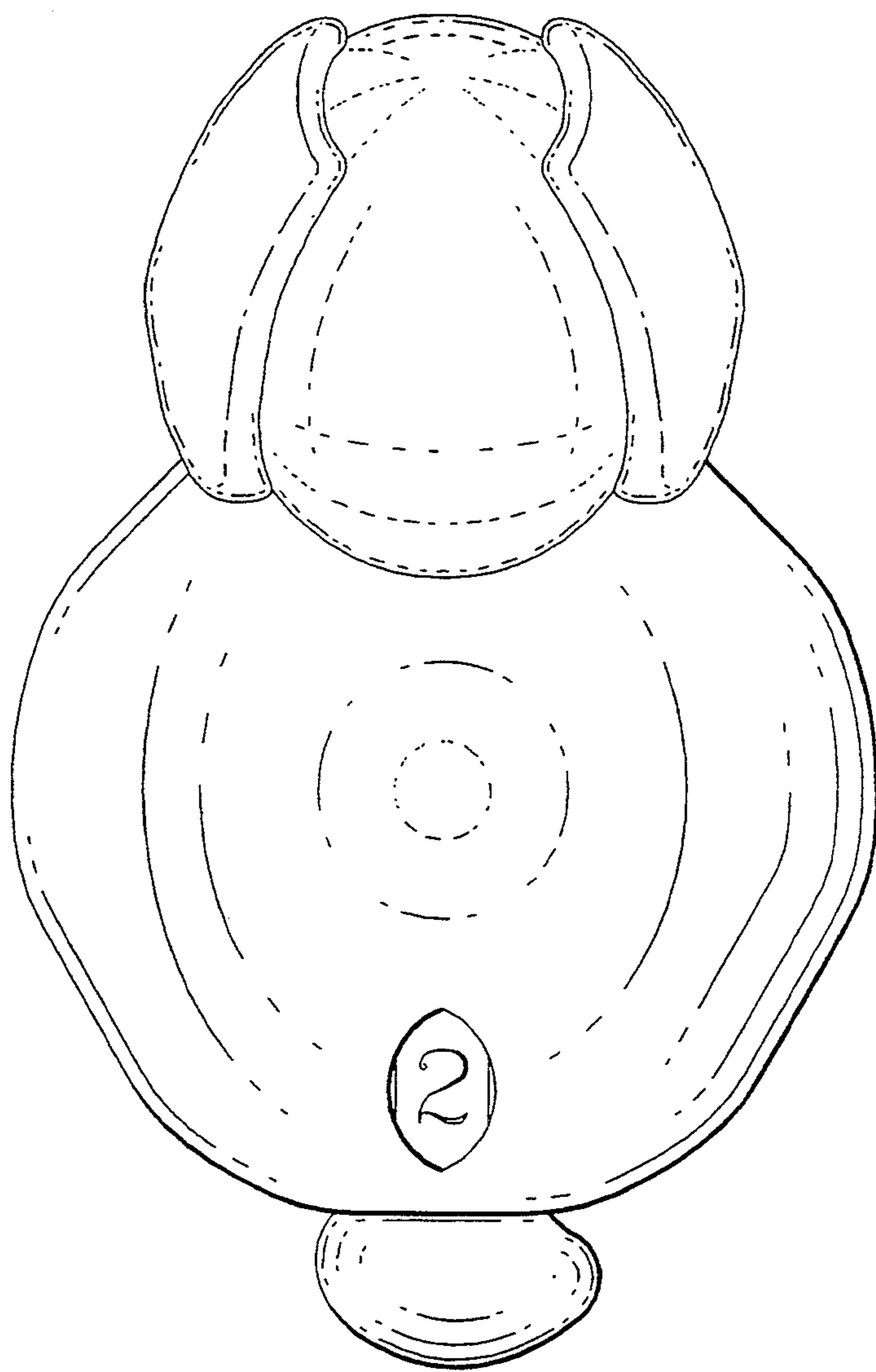


FIG. 10

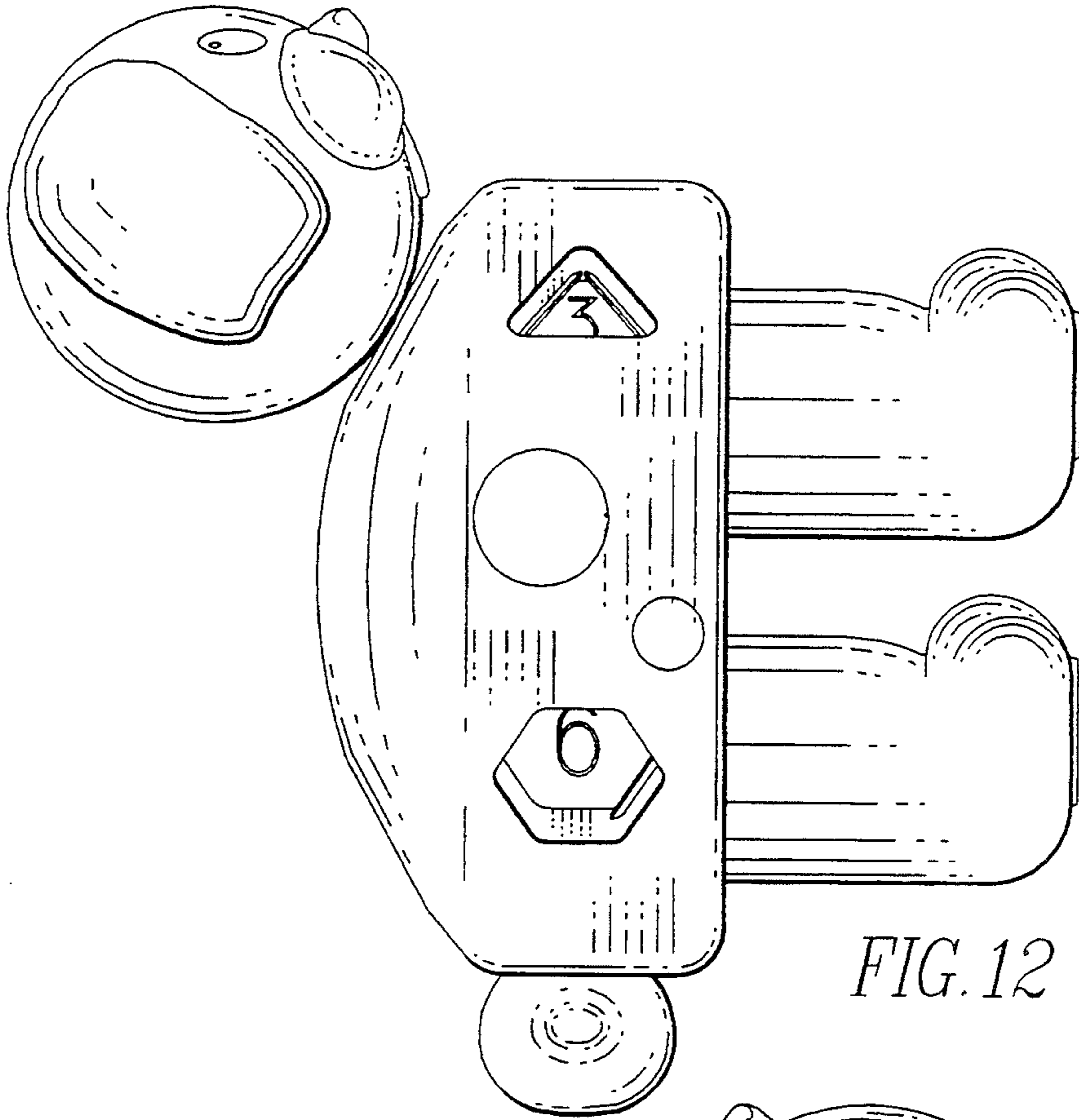


FIG. 12

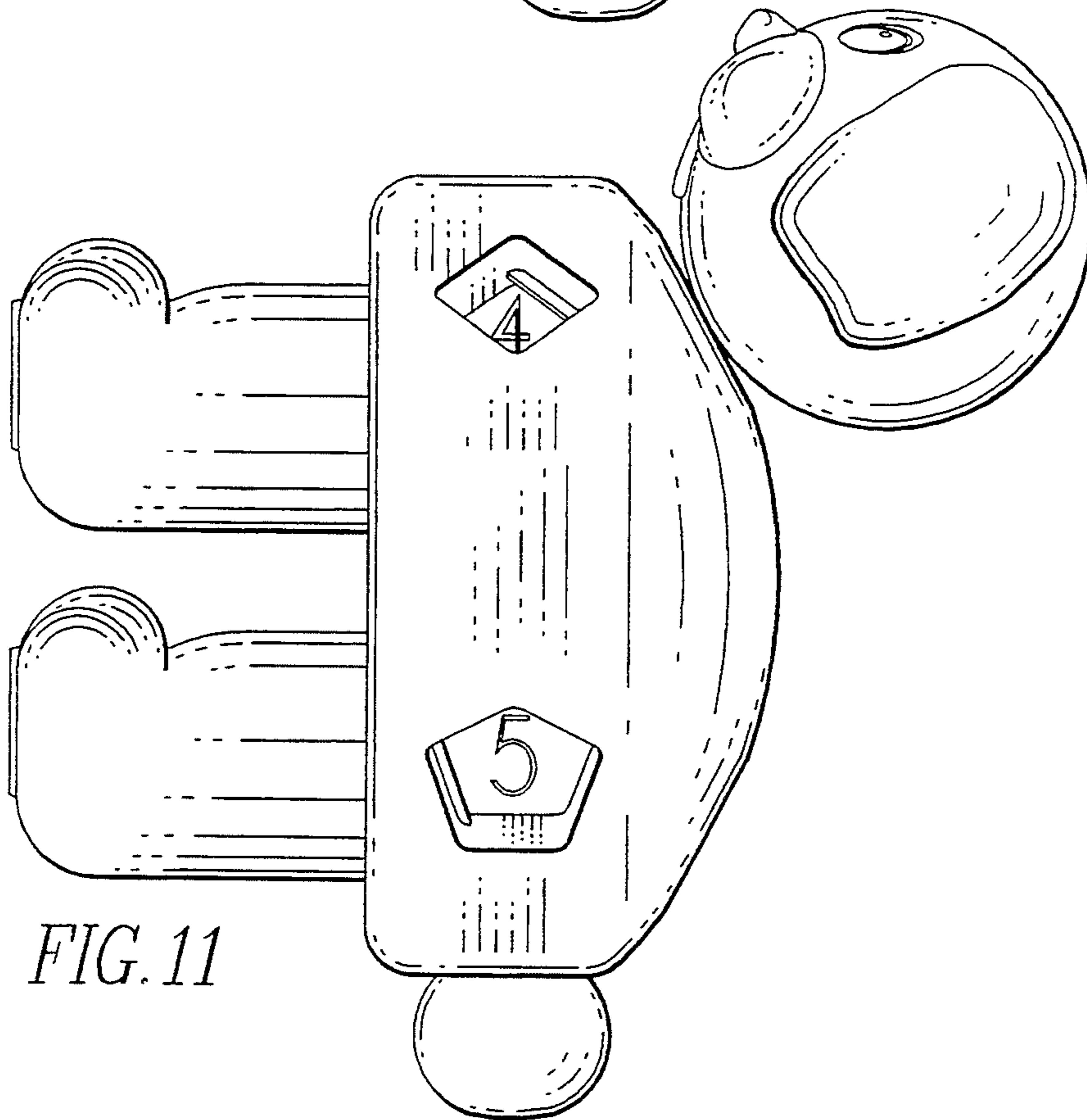


FIG. 11

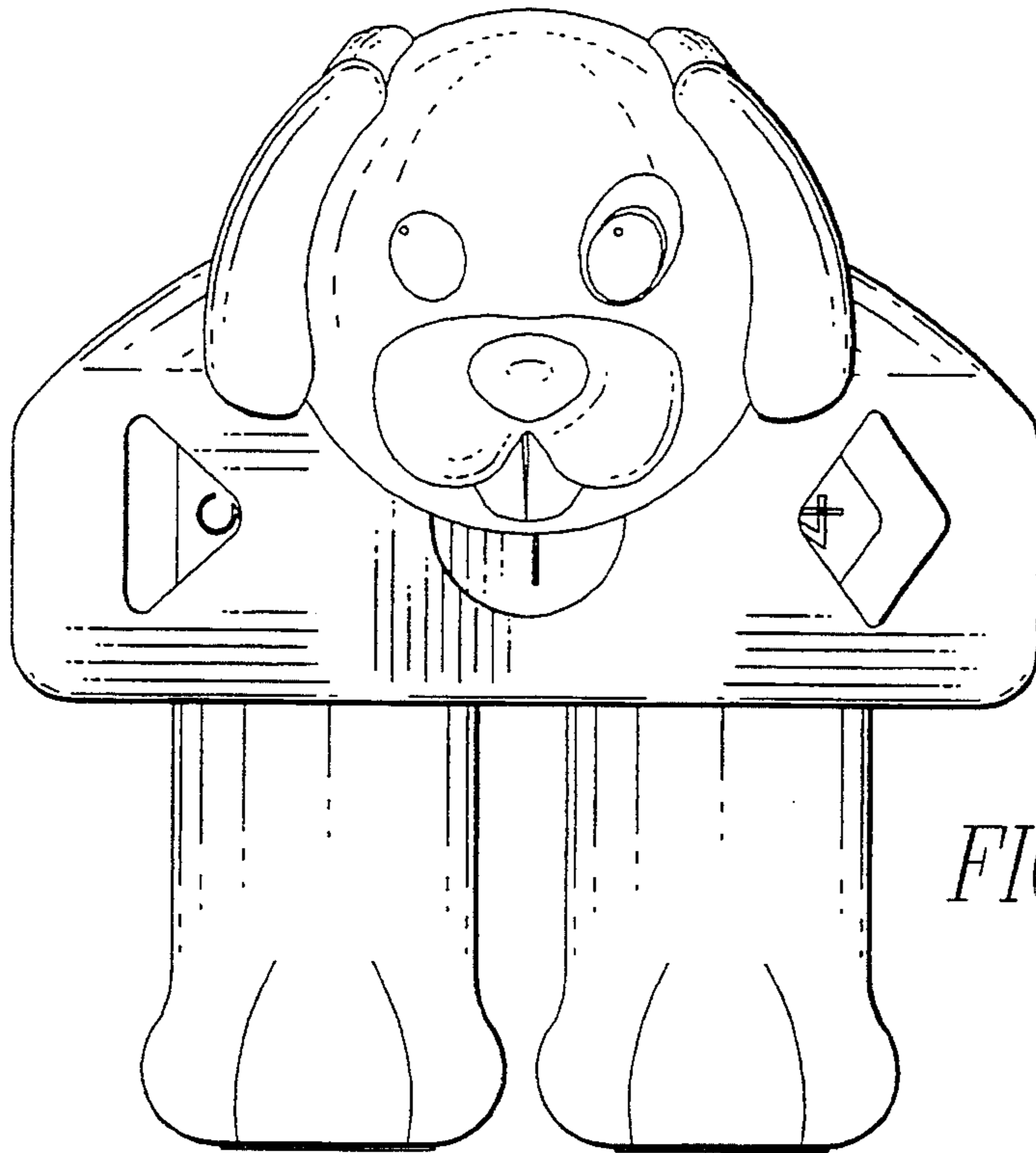


FIG. 13

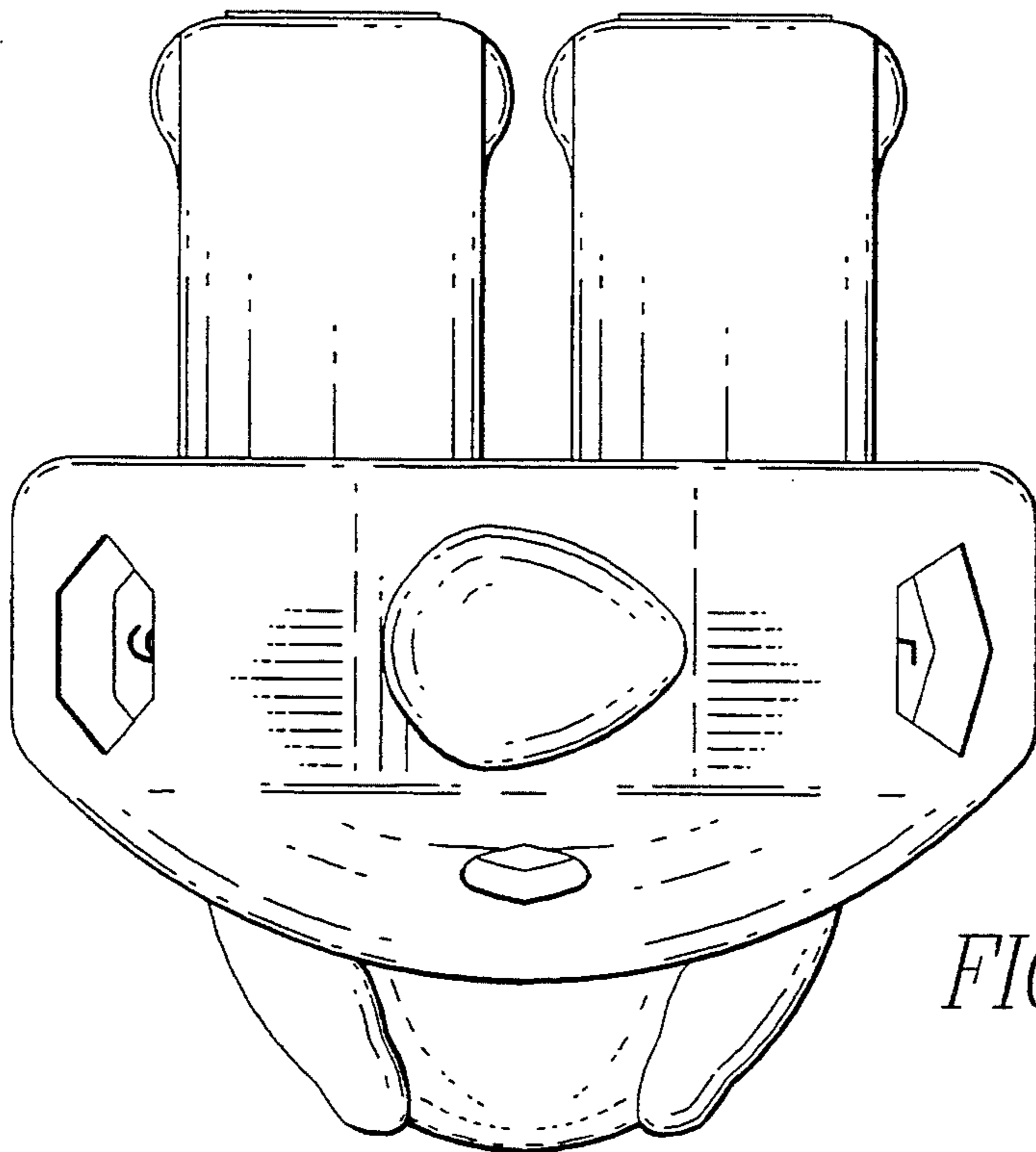


FIG. 14