



US00D350792S

United States Patent [19]

[11] Patent Number: **Des. 350,792**

Caminos et al.

[45] Date of Patent: **** Sep. 20, 1994**

[54] SINGLE TANK WATER PISTOL

[76] Inventors: **Frank Caminos**, 124 Christie St.,
Leonia, N.J. 07605; **Bruce M. D'Andrade**, 3 Ten Eyck Rd.,
Whitehouse Sta., N.J. 08889

[**] Term: **14 Years**

[21] Appl. No.: **10,388**

[22] Filed: **Jul. 2, 1993**

[52] U.S. Cl. **D21/147**

[58] Field of Search D7/649, 650, 696;
446/267, 473; 124/24.1, 25; 482/83, 12;
89/1.816; D21/145-147; D22/107, 108, 118;
D23/225

[56] References Cited

U.S. PATENT DOCUMENTS

D. 206,670	1/1967	Hirsch	D21/146
D. 286,661	11/1986	Barthropp	D21/147
D. 286,900	11/1986	Barthropp	D21/147
D. 303,130	8/1989	Noble	D21/146
D. 337,627	7/1993	Moran	D21/147
3,218,745	11/1965	Golden	D21/146
5,074,437	12/1991	D'Andrade et al.	446/473
5,150,819	9/1992	Johnson et al.	446/473

OTHER PUBLICATIONS

Ser. No. 772,044 filed Oct. 7, 1991 to Bruce M. D'Andrade.

Ser. No. 864,969 filed Apr. 7, 1992 to Bruce M. D'Andrade.

Ser. No. 864,971 filed Apr. 7, 1992 to Bruce M. D'Andrade.

Ser. No. 901,512 filed Jun. 19, 1992 to Robert W. Salmon et al.

Ser. No. 901,513 filed Jun. 19, 1992 to Robert W. Salmon et al.

Ser. No. 901,583 filed Jun. 19, 1992 to Bruce M. D'Andrade.

Ser. No. 901,584 filed Jun. 19, 1992 to Robert W. Salmon et al.

Ser. No. 901,585 filed Jun. 19, 1992 to Bruce M. D'Andrade.

Ser. No. 901,663 filed Jun. 19, 1992 to Robert W. Salmon et al.

Ser. No. 902,295 filed Jun. 19, 1992 to Robert W. Salmon et al.

Primary Examiner—Bernard Ansher

Assistant Examiner—R. Barkai

Attorney, Agent, or Firm—Kenneth P. Glynn

[57] CLAIM

The ornamental design for a single tank water pistol, as shown and described.

DESCRIPTION

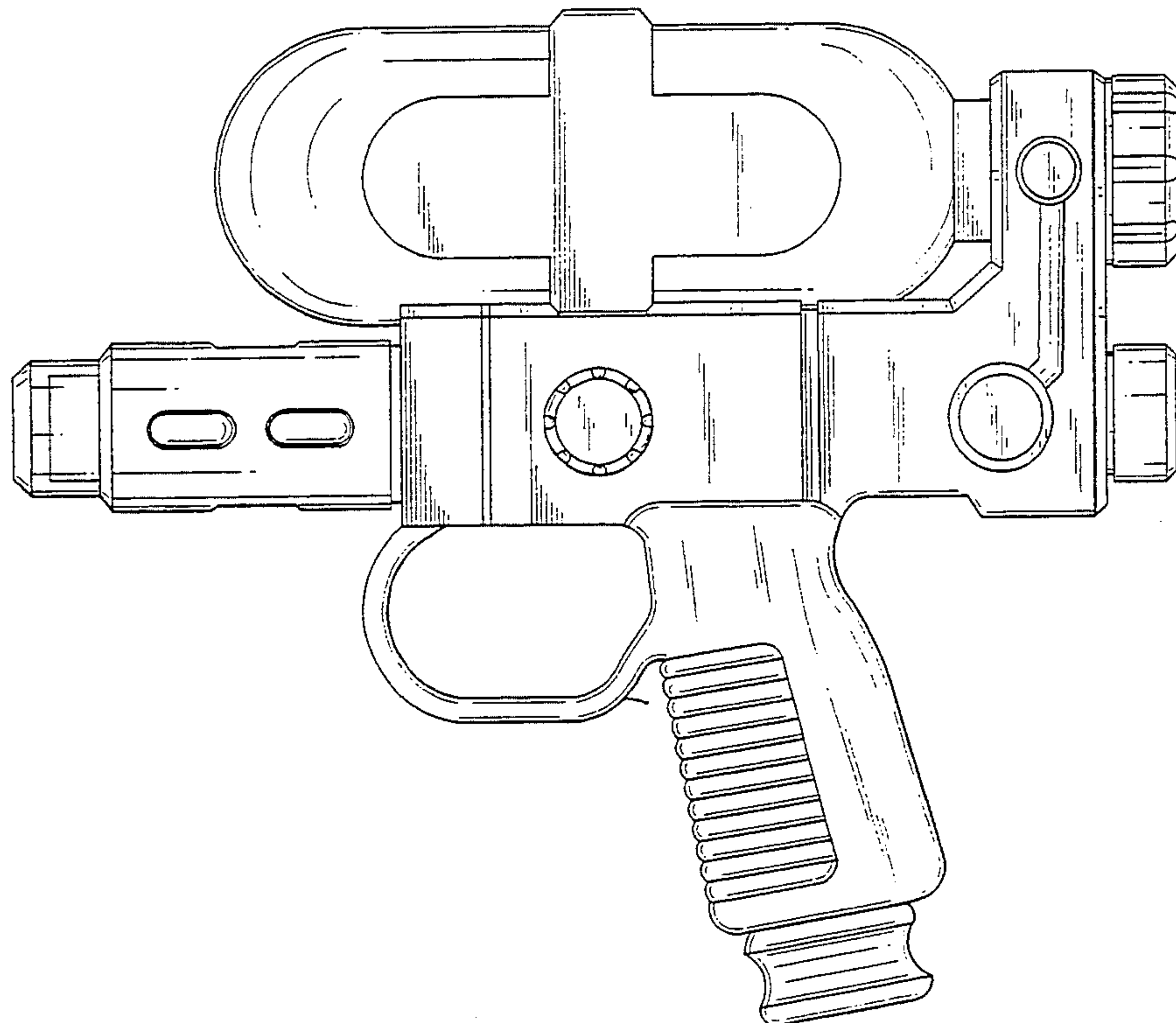
FIG. 1 is a front elevational view of a single tank water pistol showing our new design;

FIG. 2 is a rear elevational view thereof;

FIG. 3 is a left side elevational view thereof with the right side elevational view being a mirror image thereof;

FIG. 4 is a top plan view thereof; and,

FIG. 5 is a bottom plan view thereof.



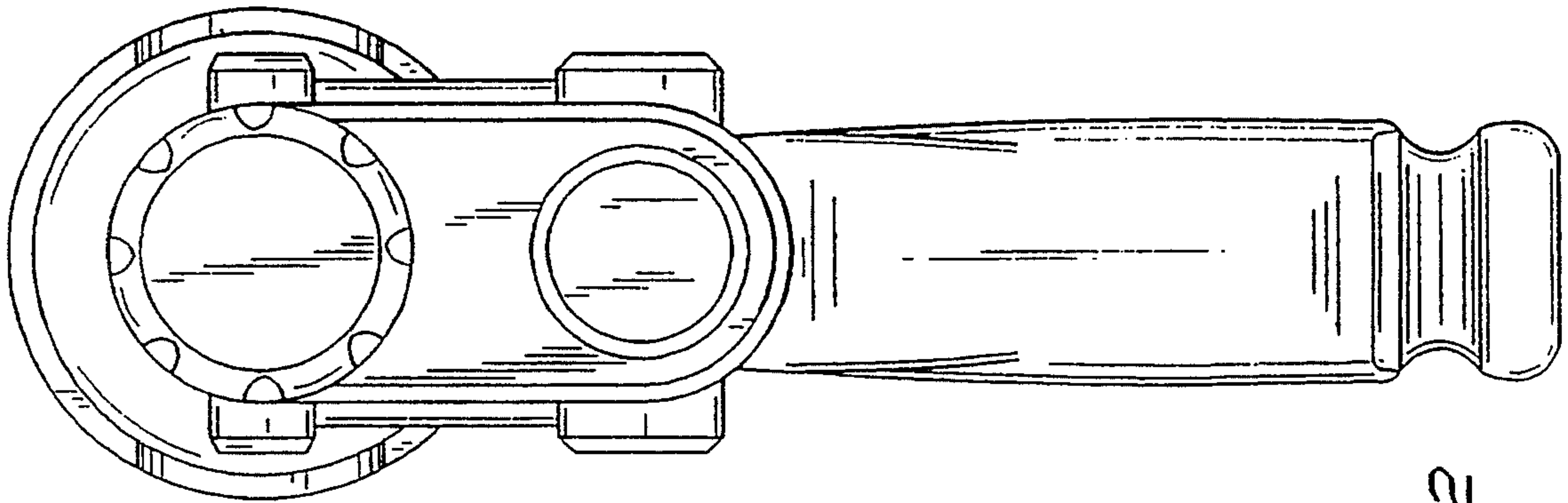


FIG. 2

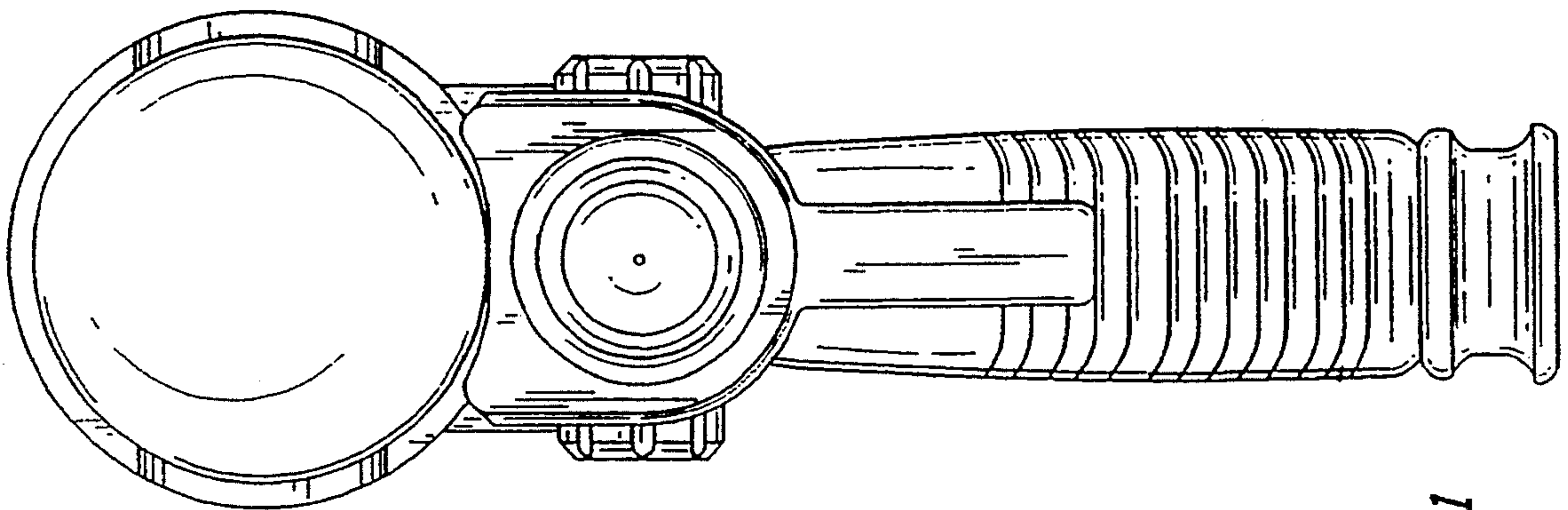


FIG. 1

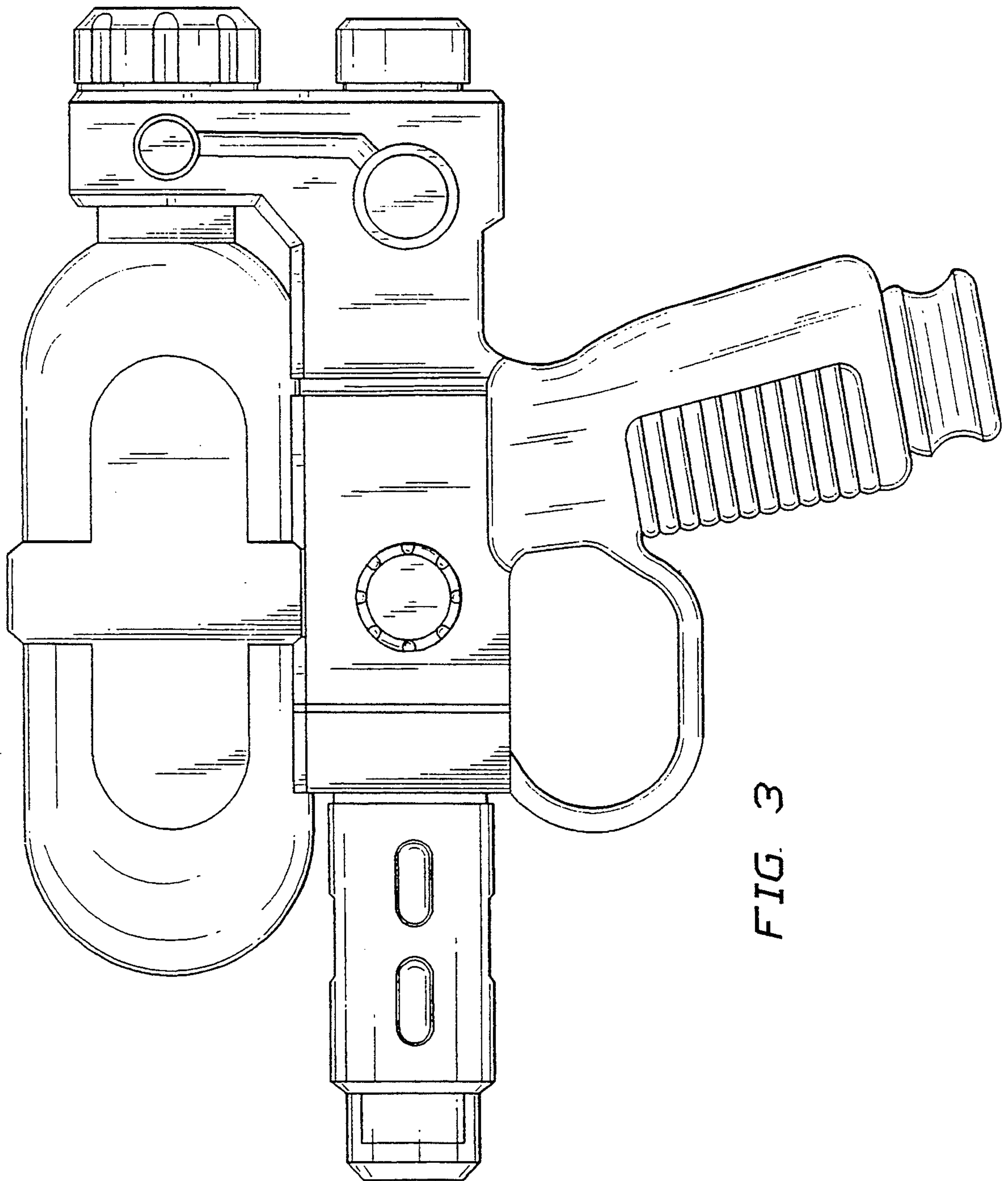


FIG. 3

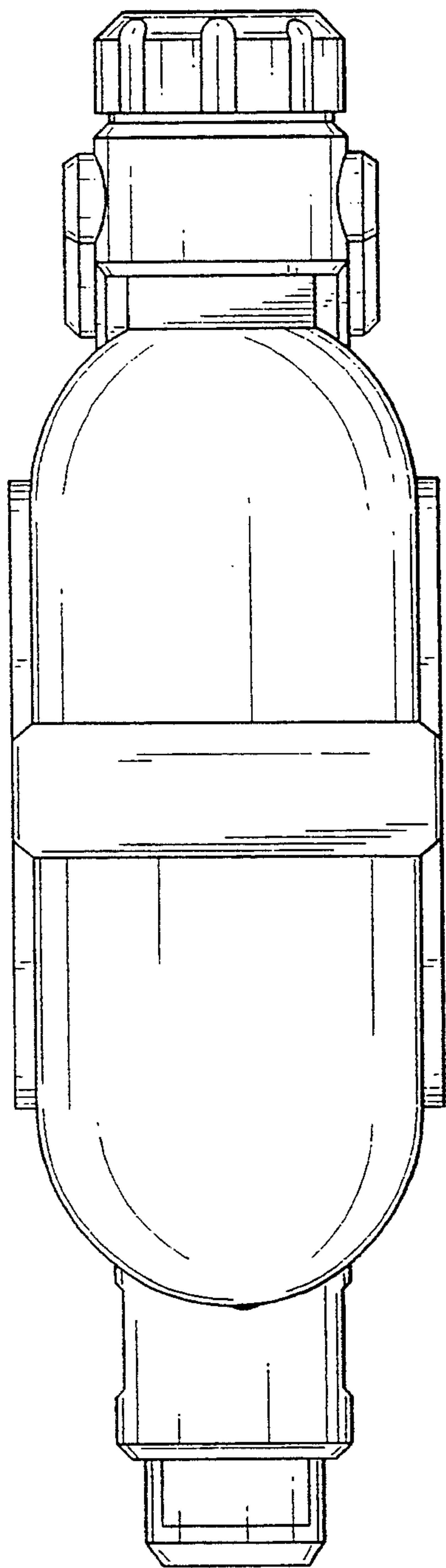


FIG. 4

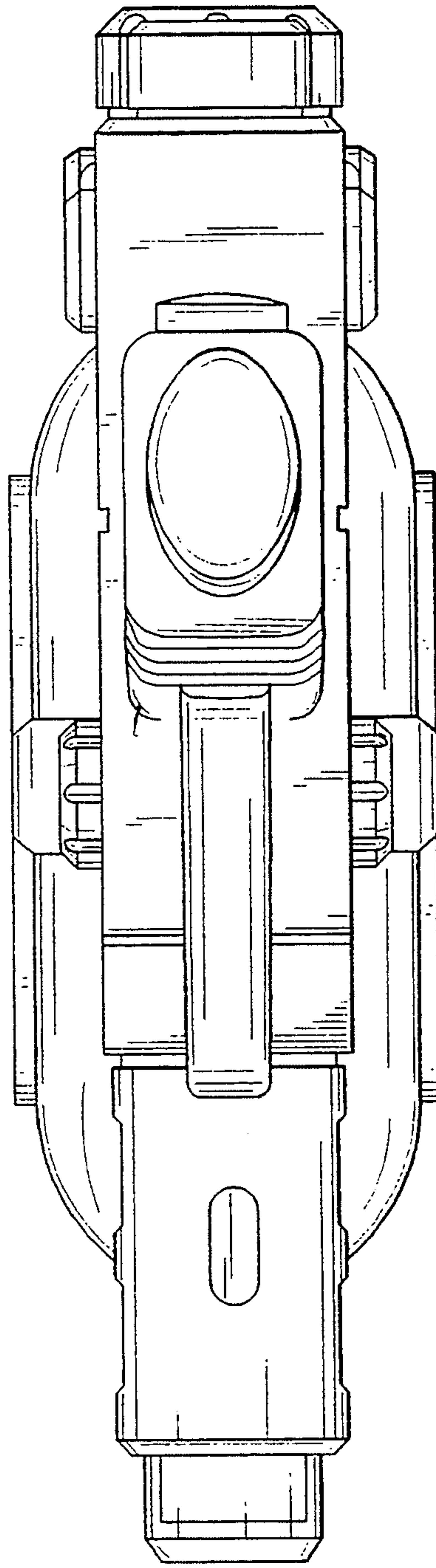


FIG. 5