



US00D350790S

United States Patent [19]

[11] Patent Number: **Des. 350,790**

Ryaa et al.

[45] Date of Patent: **** Sep. 20, 1994**

[54] ELEMENT FOR A TOY BUILDING SET

[75] Inventors: **Jan Ryaa**, Billund; **Lene Köhler**, Jelling, both of Denmark

[73] Assignee: **Interlego, A.G.**, Baar, Switzerland

[**] Term: **14 Years**

[21] Appl. No.: **13,287**

[22] Filed: **Sep. 22, 1993**

[52] U.S. Cl. **D21/108**

[58] Field of Search 446/108, 110, 115, 116, 446/120, 122, 124, 125, 128, 478; 434/172; D21/108, 141; D19/59

[56] **References Cited**

U.S. PATENT DOCUMENTS

D. 311,938	11/1990	Andersen	D4/108
D. 312,009	11/1990	Andersen	D21/108
3,005,282	10/1961	Christiansen	446/128
4,552,541	11/1985	Bolli	446/128

OTHER PUBLICATIONS

Tyco Toy Catalog 1987 p. 24 middle left of page.

Primary Examiner—Bernard Ansher

Assistant Examiner—R. Barkai

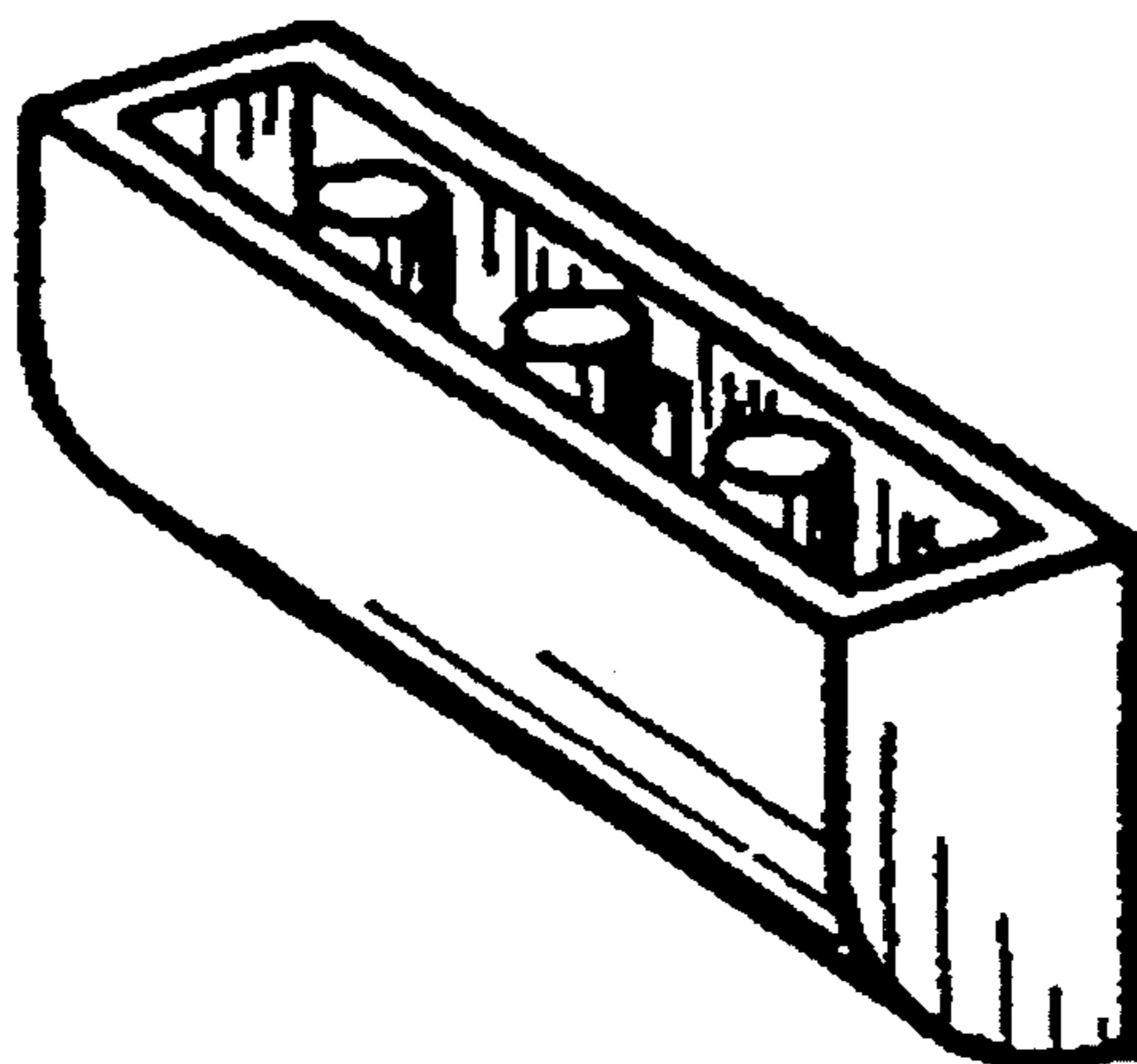
Attorney, Agent, or Firm—Kane, Dalsimer, Sullivan, Kurucz, Levy, Eisele and Richard

[57] **CLAIM**

The ornamental design for an element for a toy building set, as shown and described.

DESCRIPTION

FIG. 1 is a top perspective view of the element for a toy building set showing our new design; FIG. 2 is a bottom perspective view thereof; FIG. 3 is a right elevational view thereof; FIG. 4 is a front side elevational view thereof; FIG. 5 is a left elevational view thereof; FIG. 6 is a rear side elevational view thereof; FIG. 7 is a bottom plan view thereof; and, FIG. 8 is a top plan view thereof.



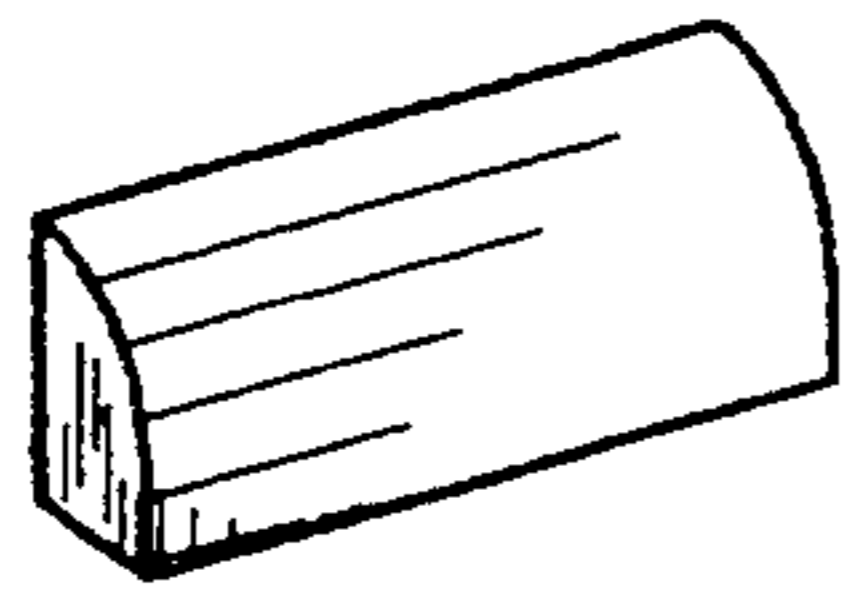


FIG. 1

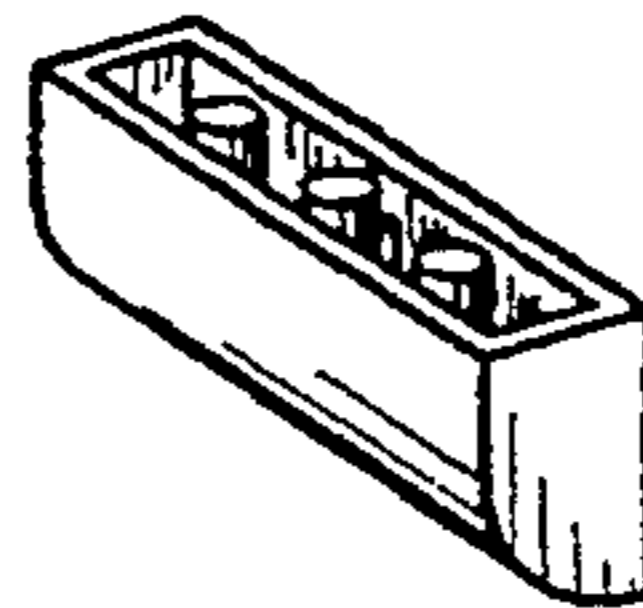


FIG. 2



FIG. 8



FIG. 6



FIG. 5



FIG. 4



FIG. 7

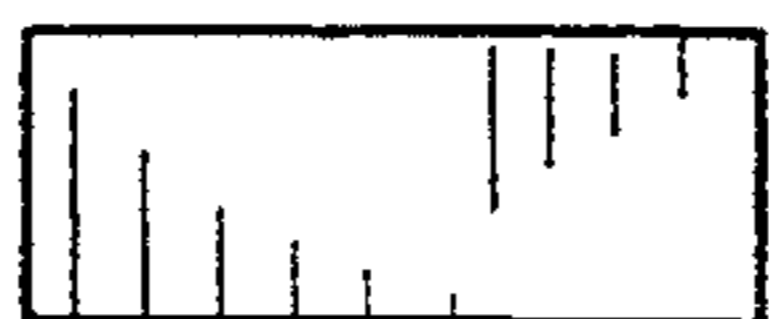


FIG. 3