



US00D350785S

United States Patent [19]

[11] Patent Number: **Des. 350,785**

Kushner et al.

[45] Date of Patent: **** Sep. 20, 1994**

[54] **BUILDING ELEMENT FOR A TOY BUILDING SET**

3,005,282 10/1961 Christiansen 446/128
4,744,780 5/1988 Volpe 446/128

[75] Inventors: **Philip M. Kushner**, Greve Strand;
Kenn Rasmussen, Valby; **Niels Ohrwald**, Espergarde, all of Denmark

Primary Examiner—Bernard Ansher
Assistant Examiner—R. Barkai
Attorney, Agent, or Firm—Kane, Dalsimer, Sullivan, Kurucz, Levy, Eisele and Richard

[73] Assignee: **Interlego, A.G.**, Baar, Switzerland

[57] **CLAIM**

[**] Term: **14 Years**

The ornamental design for a building element for a toy building set, as shown and described.

[21] Appl. No.: **13,267**

DESCRIPTION

[22] Filed: **Sep. 22, 1993**

[52] U.S. Cl. **D21/108**

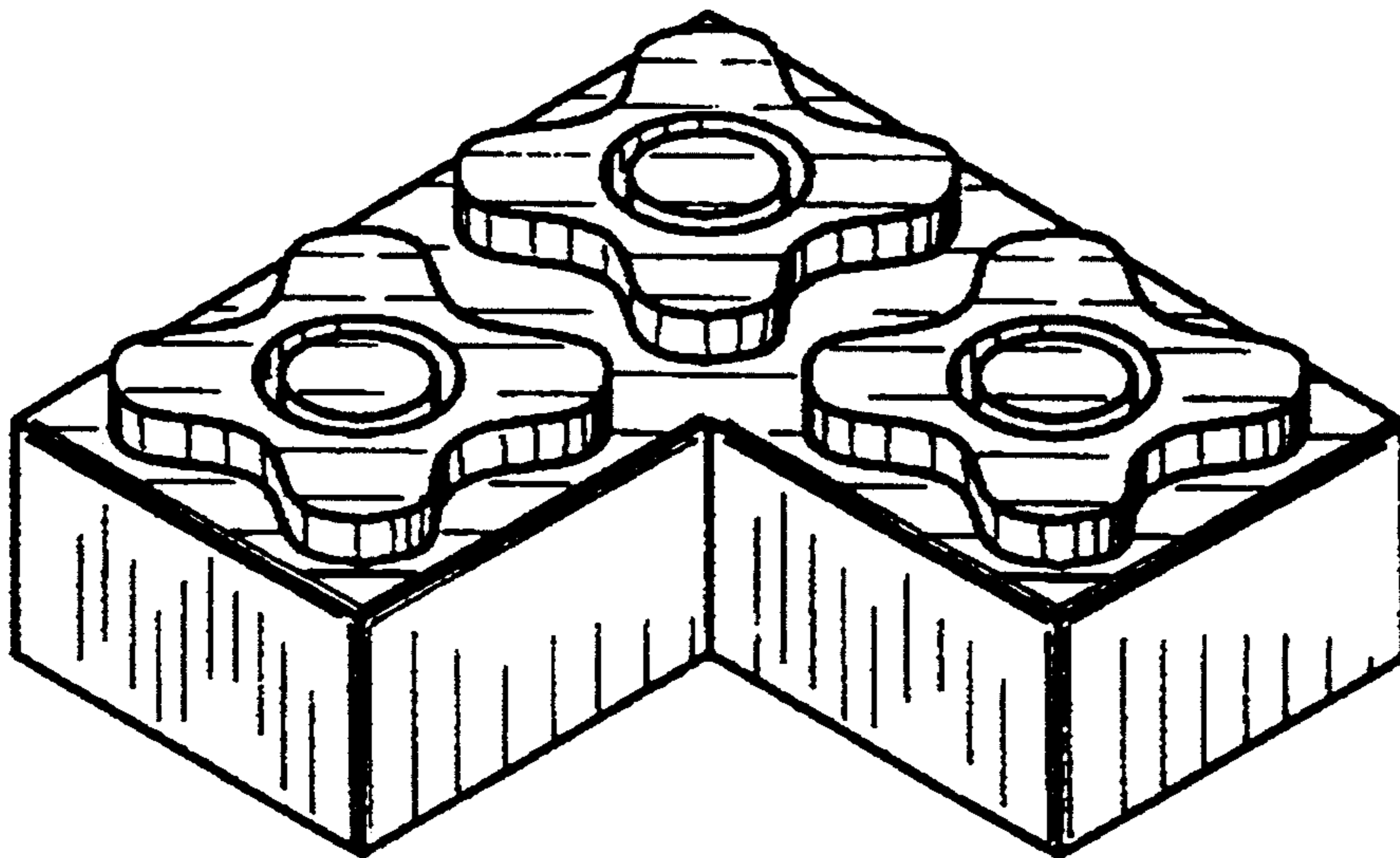
[58] Field of Search 446/108, 110, 115-116,
446/120, 122, 124, 125, 128, 478; 434/172;
D21/108, 141; D19/59

FIG. 1 is a top perspective view of the building element for a toy building set showing our new design; FIG. 2 is a bottom perspective view thereof; FIG. 3 is a right side elevational view thereof; FIG. 4 is a front elevational view thereof; FIG. 5 is a left side elevational view thereof; FIG. 6 is a rear elevational view thereof; FIG. 7 is a top plan view thereof; FIG. 8 is a bottom plan view thereof; and, FIG. 9 is a partial view of the top of the building element, shown separately for ease of illustration only.

[56] **References Cited**

U.S. PATENT DOCUMENTS

D. 270,800 10/1983 Fuller D21/108
1,894,605 1/1933 Wright 446/125



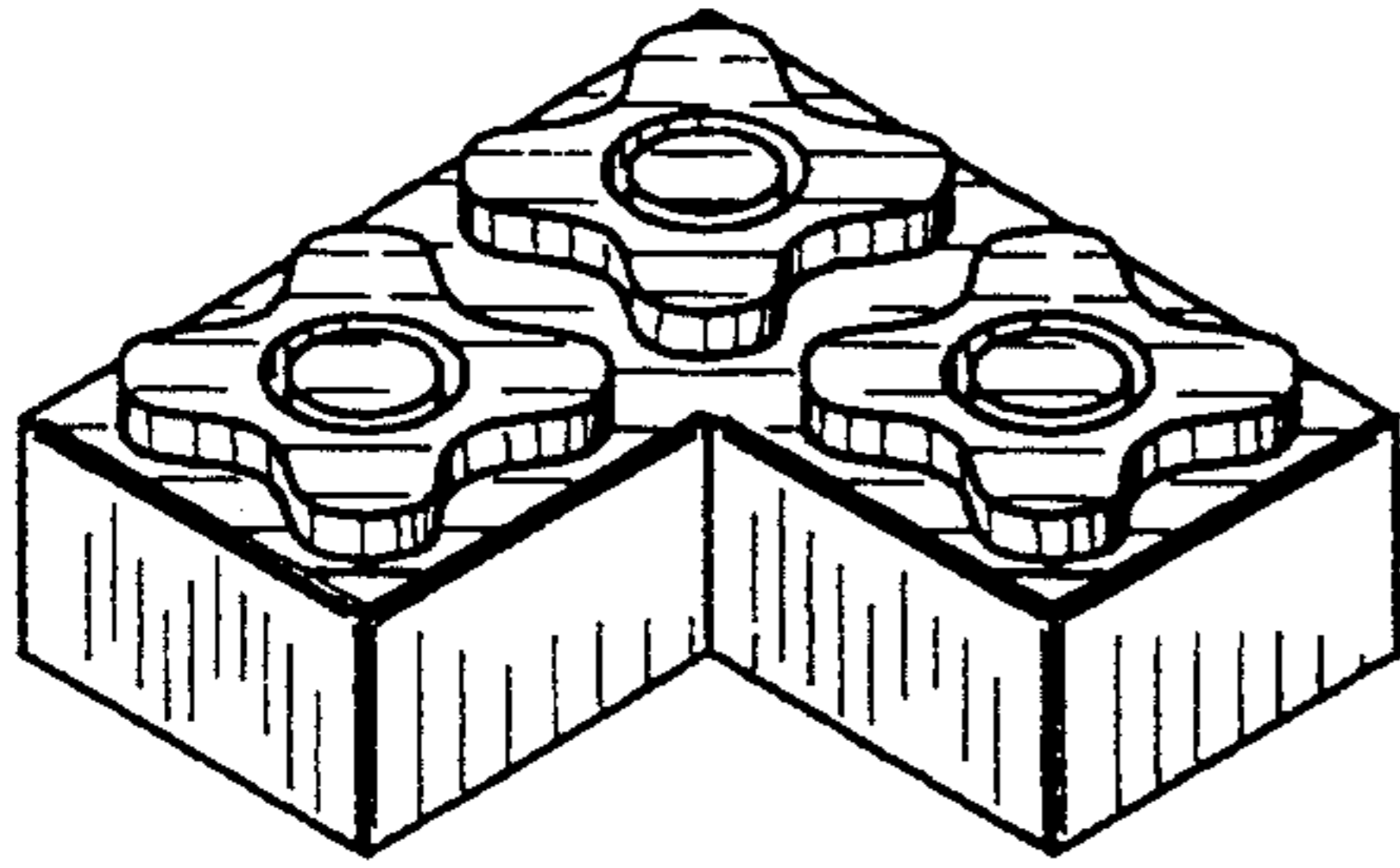


FIG. 1

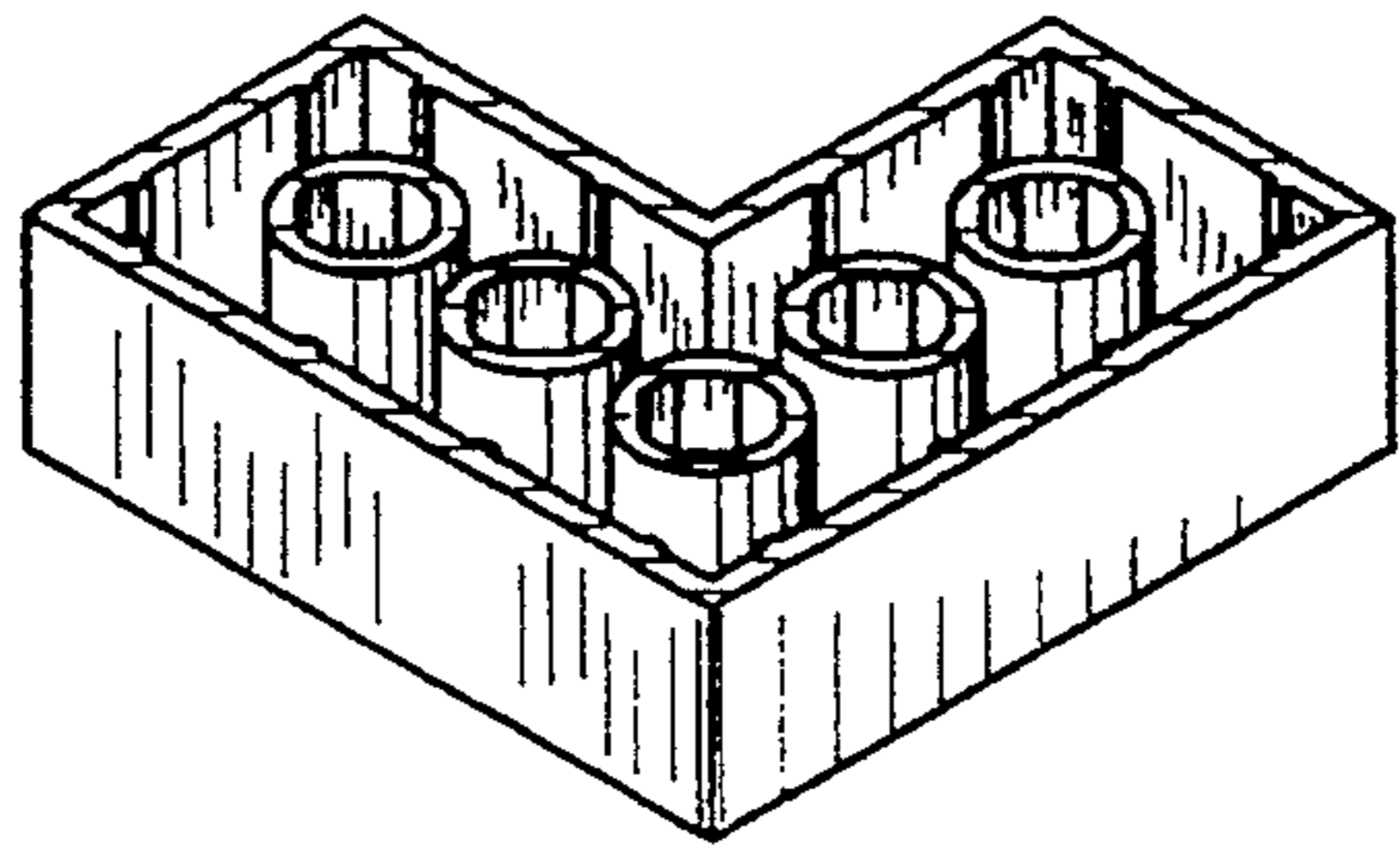


FIG. 2

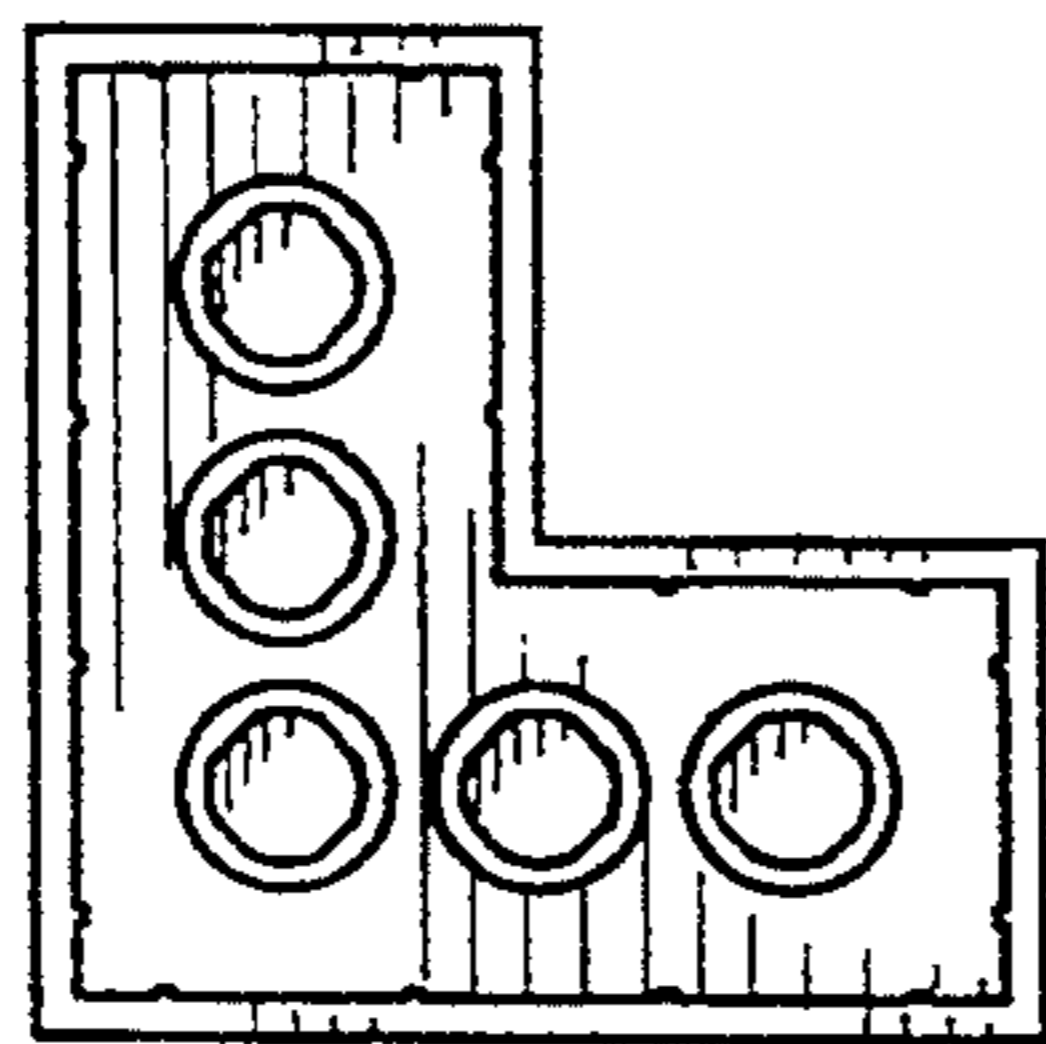


FIG. 8



FIG. 6



FIG. 5



FIG. 4



FIG. 3

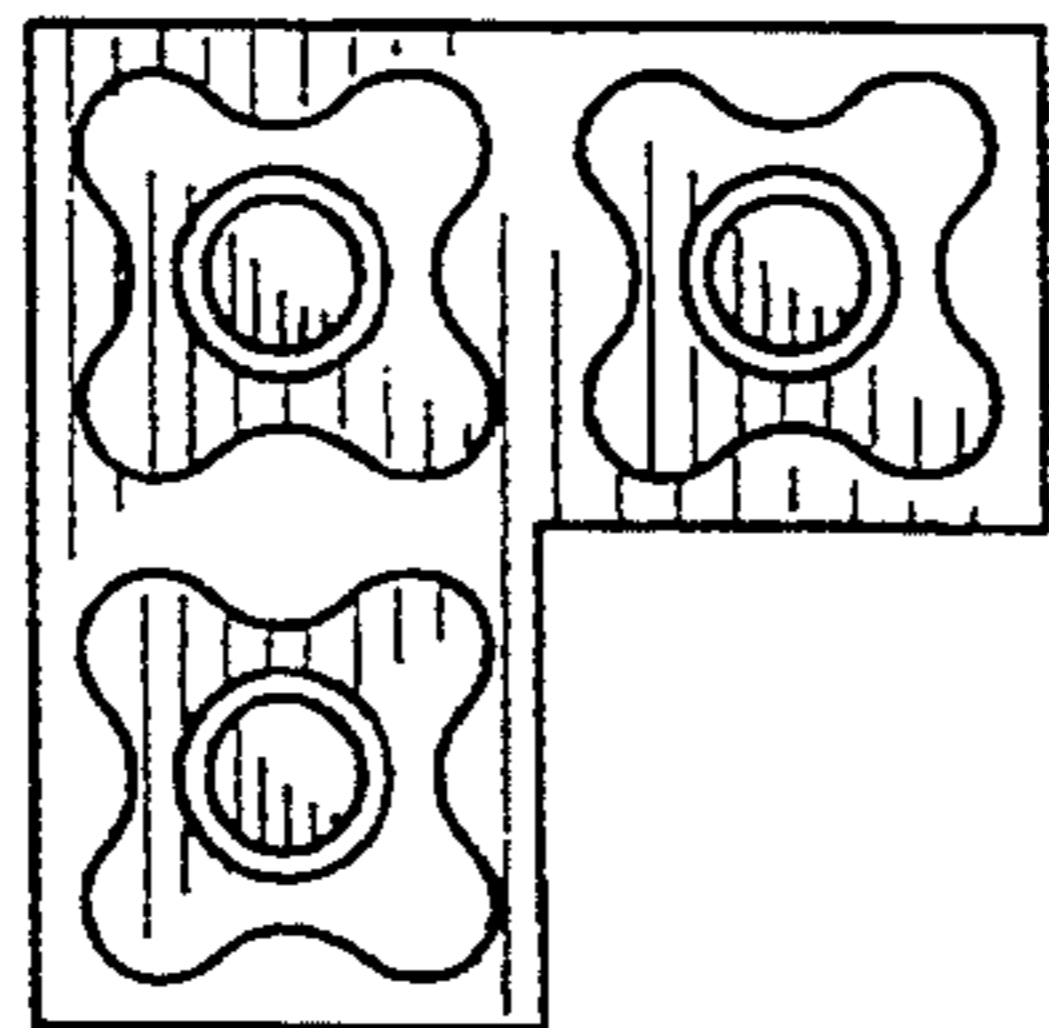


FIG. 7

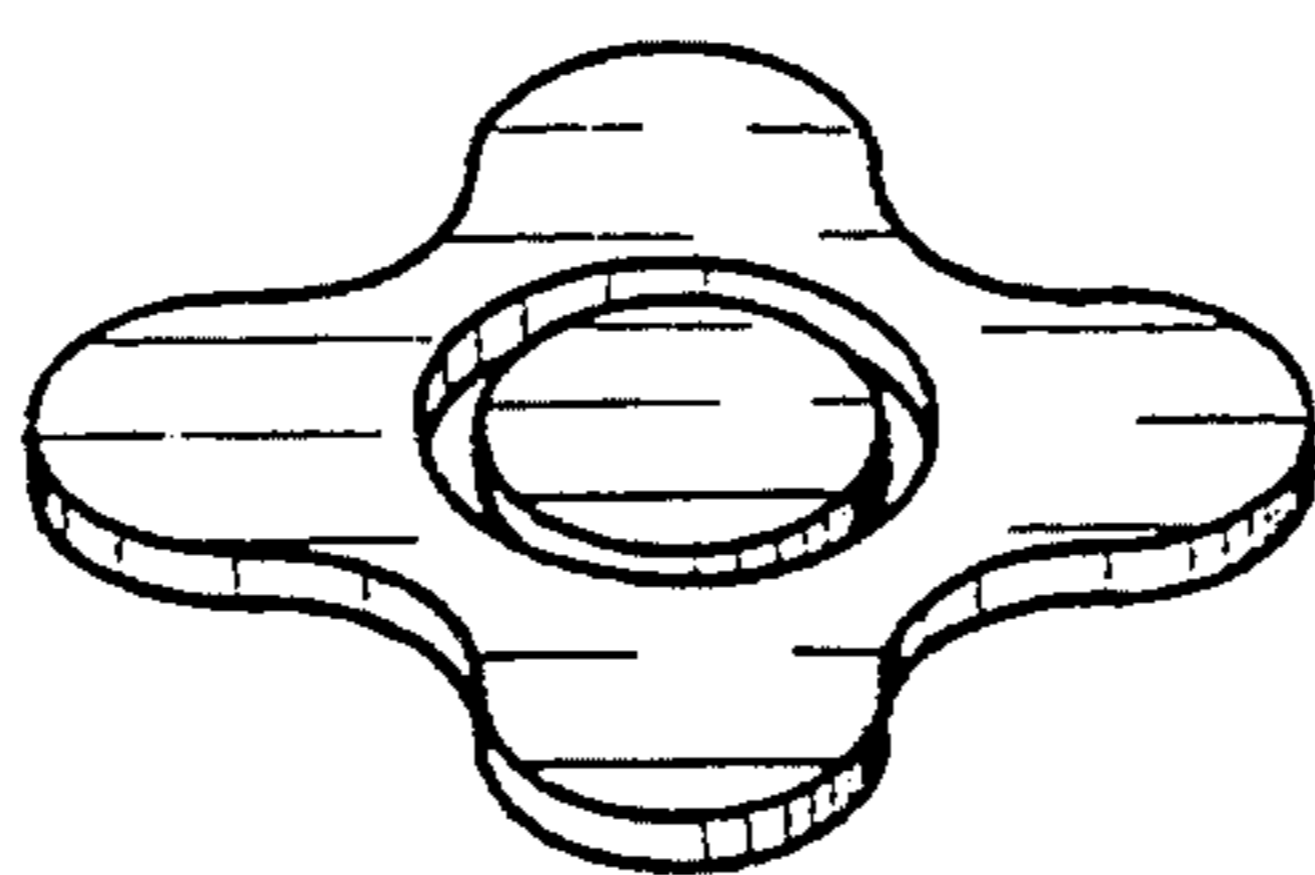


FIG. 9