



US00D350783S

# United States Patent [19]

[11] Patent Number: **Des. 350,783**

**Bacon**

[45] Date of Patent: **\*\* Sep. 20, 1994**

[54] **LIGHTED FLYING DISK**

[76] Inventor: **Jerry R. Bacon**, 405 W. Kentucky Ave., LaFollette, Tenn. 37766

[\*\*] Term: **14 Years**

[21] Appl. No.: **9,366**

[22] Filed: **Jun. 10, 1993**

[52] U.S. Cl. .... **D21/86; D21/82**

[58] Field of Search ..... **446/34, 46; 273/424, 273/425; D21/82, 86, 87**

4,814,949 3/1989 Elliot .  
5,067,051 11/1991 Ladyjensky .  
5,083,799 1/1992 Thill .

*Primary Examiner*—Bernard Ansher  
*Assistant Examiner*—Dominic Simone  
*Attorney, Agent, or Firm*—Luedeka, Neely & Graham

### [57] CLAIM

The ornamental design for a lighted flying disk, as shown.

### DESCRIPTION

FIG. 1 is a perspective view of the lighted flying disk of my new design;

FIG. 2 is a front elevational view of the lighted flying disk of my new design; it being understood that the rear elevational view, left side elevational view and right side elevational view are identical thereto;

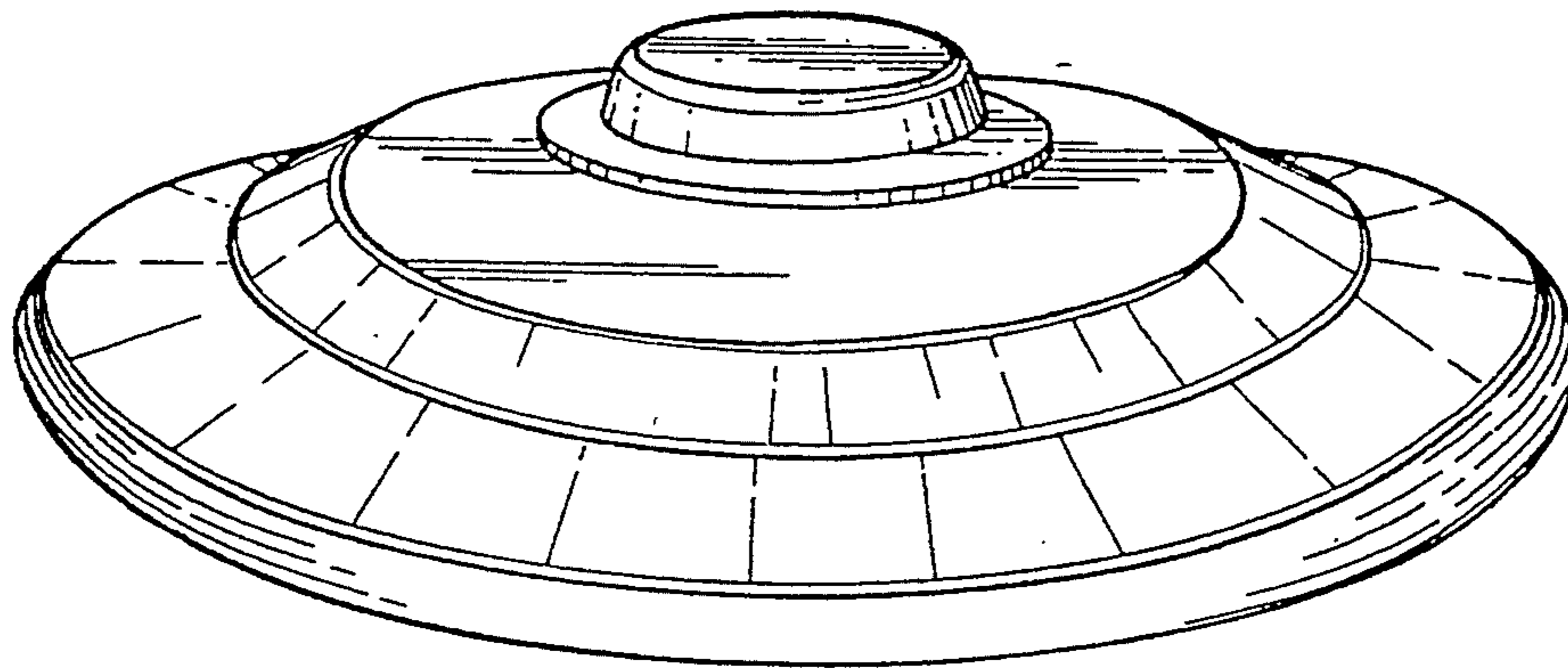
FIG. 3 is a bottom plan view of the lighted flying disk of my new design; and,

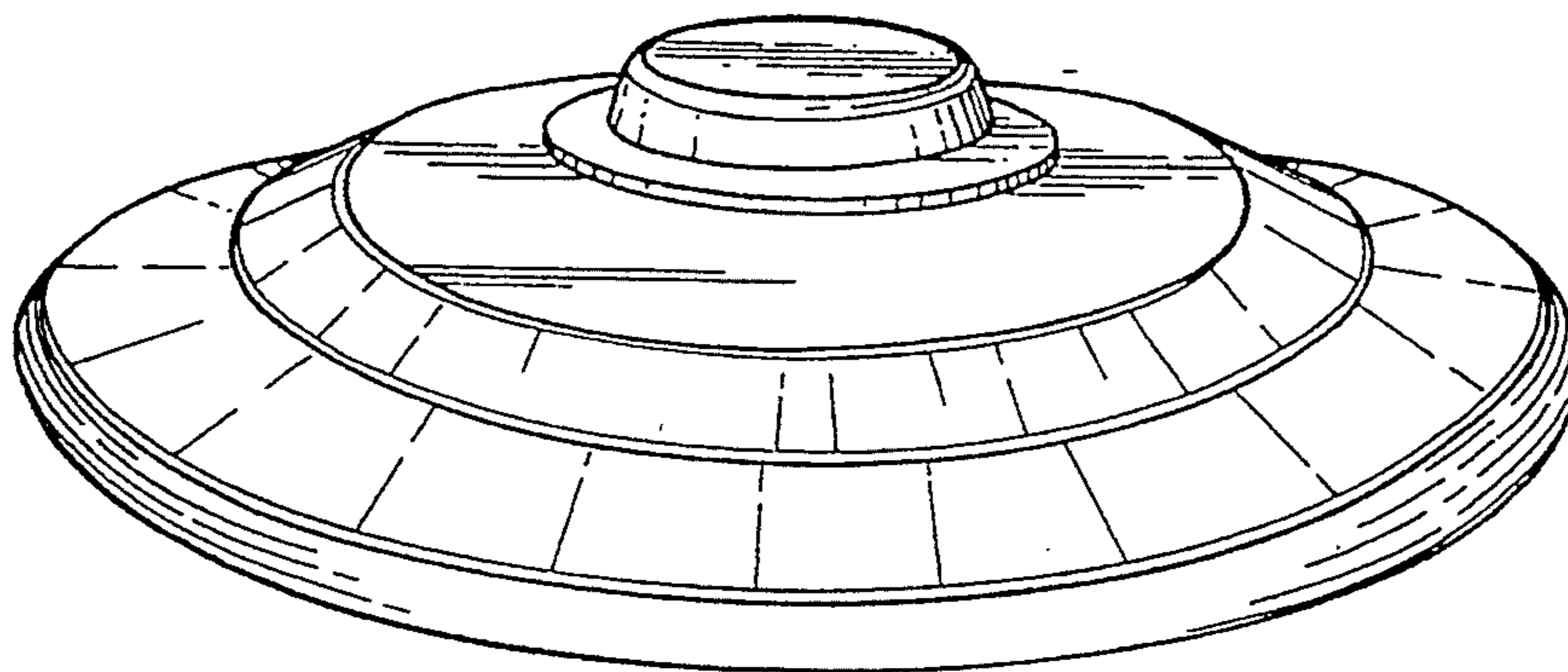
FIG. 4 is a top plan view of the lighted flying disk of my new design.

### [56] References Cited

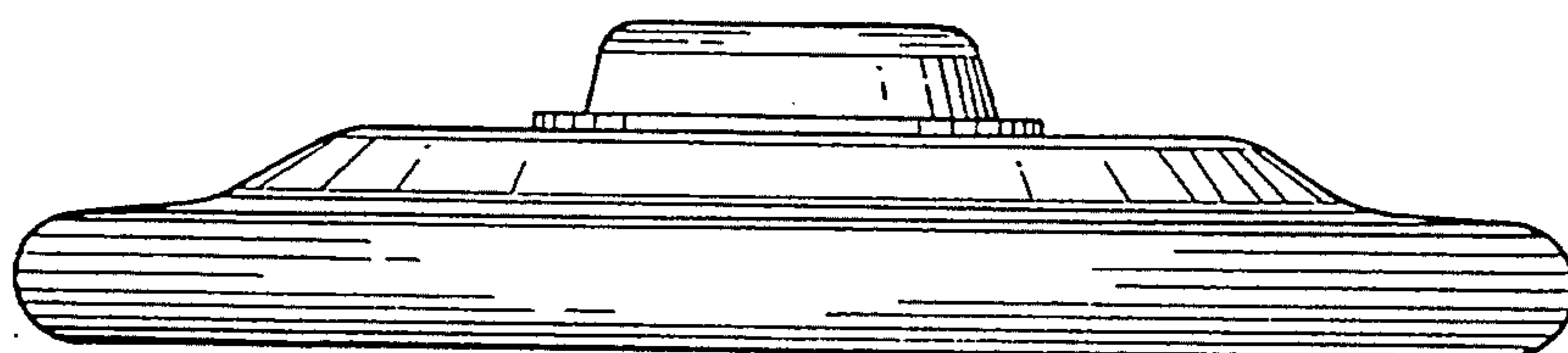
#### U.S. PATENT DOCUMENTS

3,359,678	12/1967	Headrick	.....	273/424	X
4,086,723	5/1978	Strawick	.		
4,132,030	1/1979	Lehman	.....	273/424	X
4,254,575	3/1981	Gould	.		
4,405,973	9/1983	Moscarillo	.		
4,515,570	5/1985	Beltran	.....	446/47	
4,516,947	5/1985	Pucher	.....	446/46	
4,635,166	1/1987	Cameron	.		

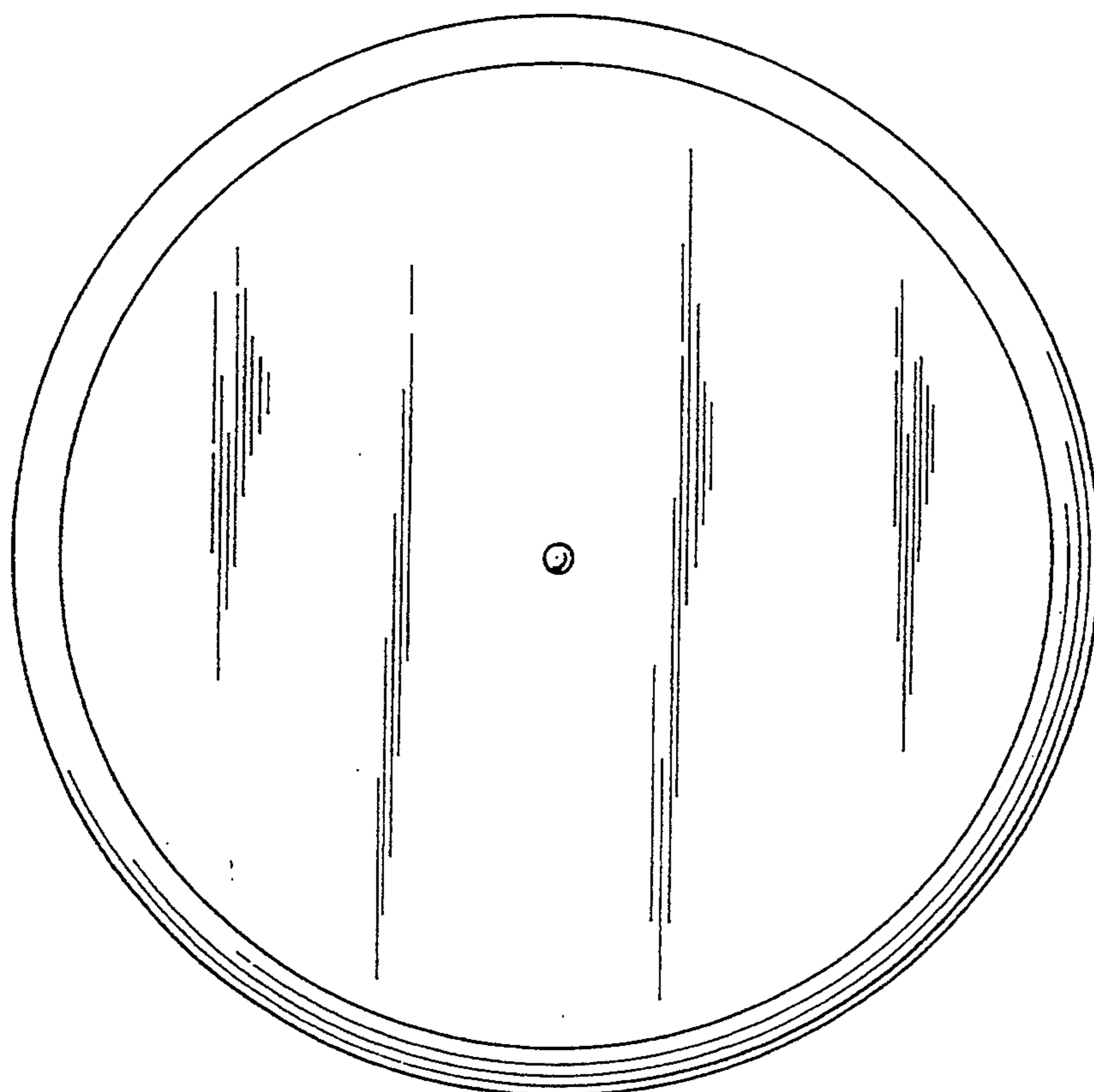




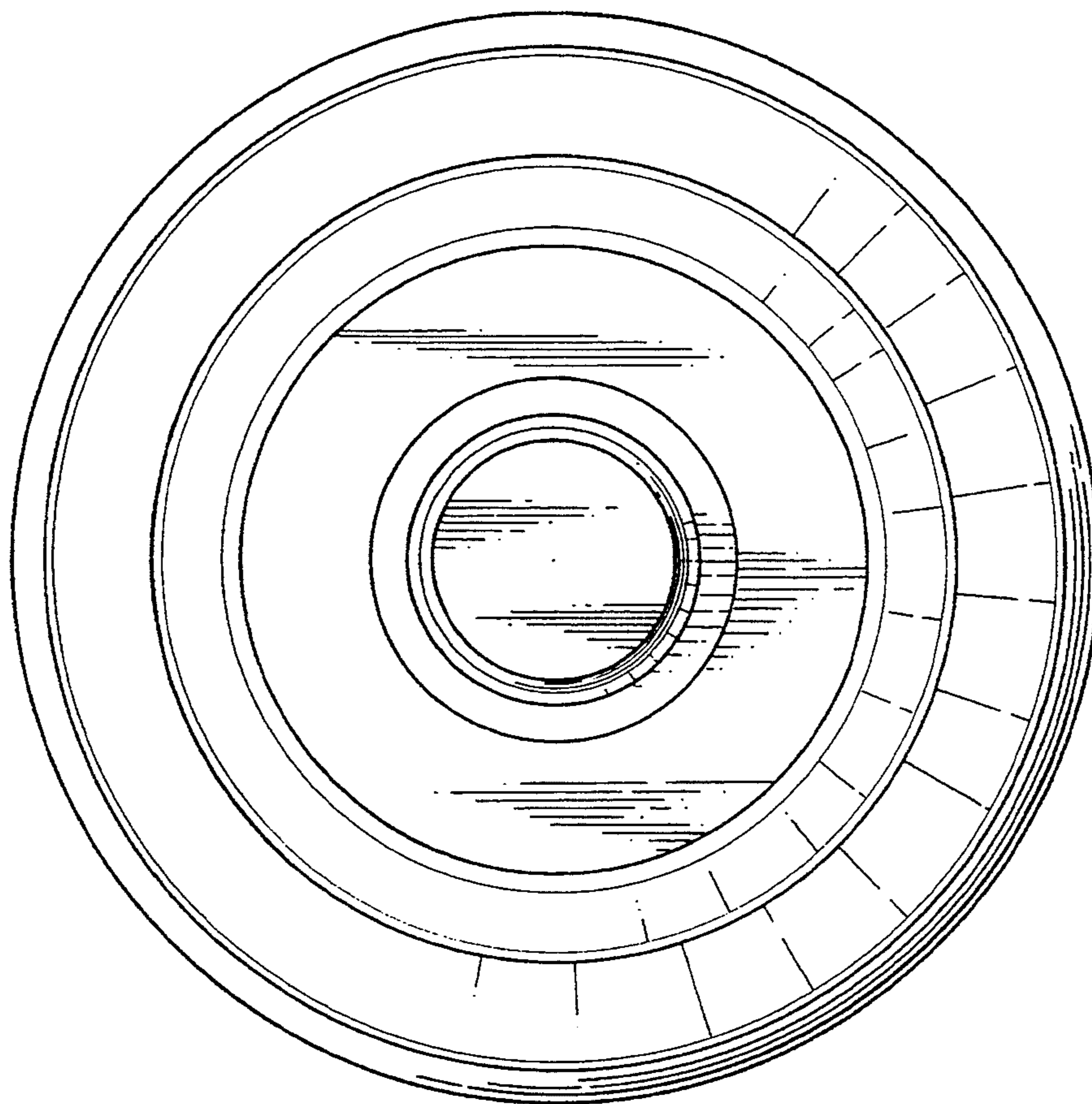
**Fig. 1**



**Fig. 2**



**Fig. 3**



**Fig. 4**