



US00D350782S

United States Patent [19]

[11] Patent Number: Des. 350,782

Barr

[45] Date of Patent: ** Sep. 20, 1994

[54] **CONTROLLER FOR VIDEO GAME MACHINE**

[75] Inventor: Lance Barr, Renton, Wash.

[73] Assignee: Nintendo of America Inc., Redmond, Wash.

[**] Term: 14 Years

[21] Appl. No.: 8,632

[22] Filed: May 24, 1993

[52] U.S. Cl. D21/48

[58] Field of Search 273/148 B, 433-438, 273/DIG. 28; D21/13, 48; D14/125, 126, 114

[56] **References Cited**

U.S. PATENT DOCUMENTS

- D. 253,234 10/1979 Cooke .
- D. 265,407 7/1982 Hanzawa .
- D. 295,042 4/1988 Steventon et al. .
- D. 302,544 8/1989 Spira .
- D. 303,127 8/1989 Biasotti D21/48
- D. 304,449 11/1989 Rodgers et al. .
- D. 310,390 9/1990 Besasie D21/13
- D. 325,225 4/1992 Adhida .
- D. 336,315 6/1993 Kitaue D21/13
- 4,285,517 8/1981 Morrison 273/433 X
- 4,969,647 11/1990 Mical et al. .
- 5,213,327 5/1993 Kitaue 273/434 X

FOREIGN PATENT DOCUMENTS

- 121649 10/1989 Japan .
- 798849 7/1990 Japan .
- 152087 2/1991 Japan .

OTHER PUBLICATIONS

Playthings, Sep. 1988, p. 49, item circled.

Playthings, Apr. 1981, p. 41, item circled.

Primary Examiner—Prbhakar G. Deshmukh
Attorney, Agent, or Firm—Nixon & Vanderhye

[57] **CLAIM**

The ornamental design for a controller for video game machine, as shown and described.

DESCRIPTION

FIG. 1 is a front, top and right side perspective view of a controller for video game machine showing my new design;

FIG. 2 is a rear, bottom and left side perspective view thereof;

FIG. 3 is a front elevational view thereof;

FIG. 4 is a rear elevational view thereof;

FIG. 5 is a right side elevational view thereof;

FIG. 6 is a left side elevational view thereof;

FIG. 7 is a top plan view thereof;

FIG. 8 is a bottom view thereof;

FIG. 9 is a front, top and right side perspective view of a second embodiment of a controller for video game machine illustrated in FIG. 1;

FIG. 10 is a rear, bottom and left side perspective view of the second embodiment;

FIG. 11 is a front elevational view of the second embodiment;

FIG. 12 is a rear elevational view of the second embodiment;

FIG. 13 is a right side elevational view of the second embodiment;

FIG. 14 is a left side elevational view of the second embodiment;

FIG. 15 is a top plan view of the second embodiment; and,

FIG. 16 is a bottom view of the second embodiment.

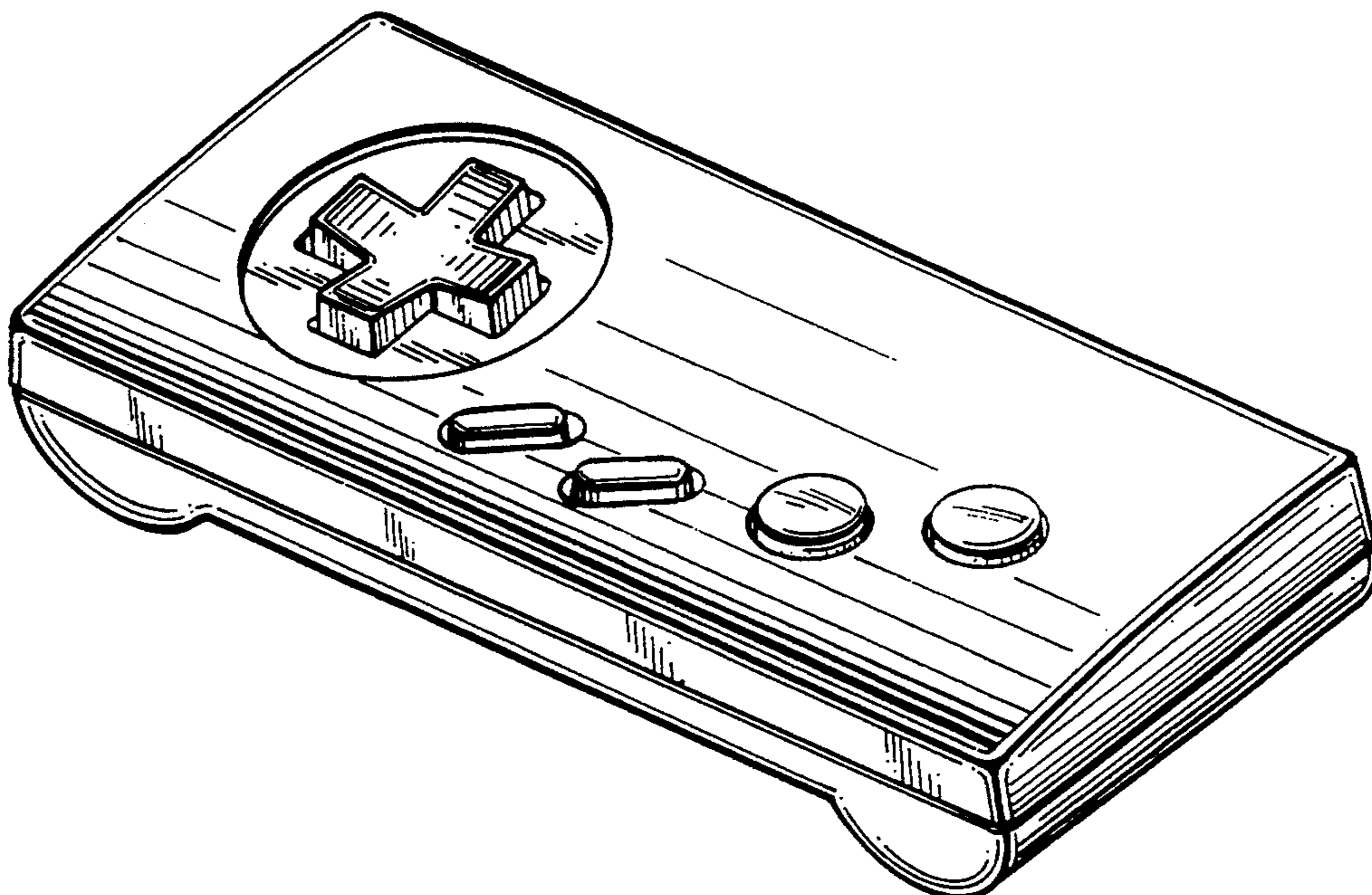


Fig. 1

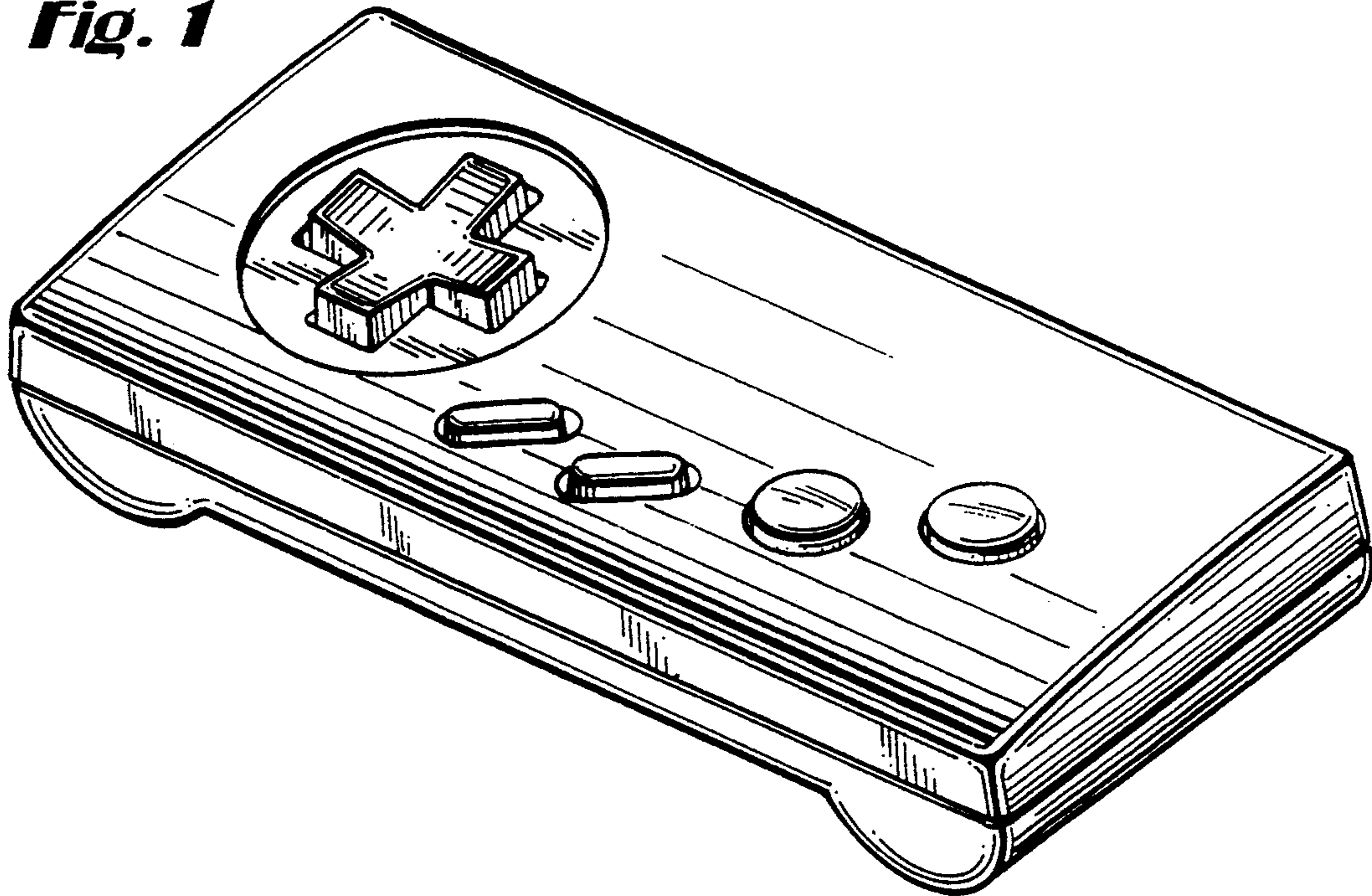


Fig. 2

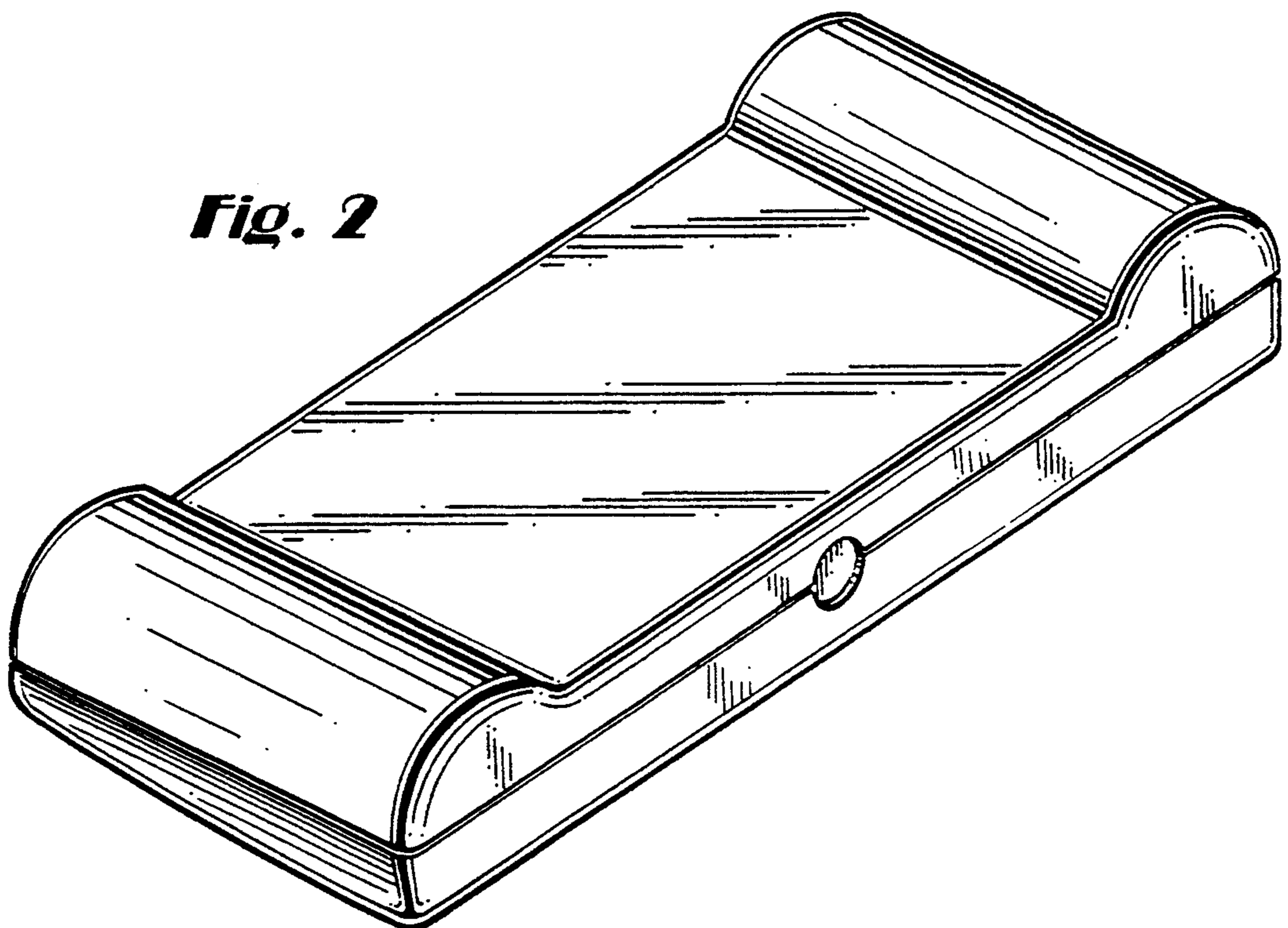


Fig. 3

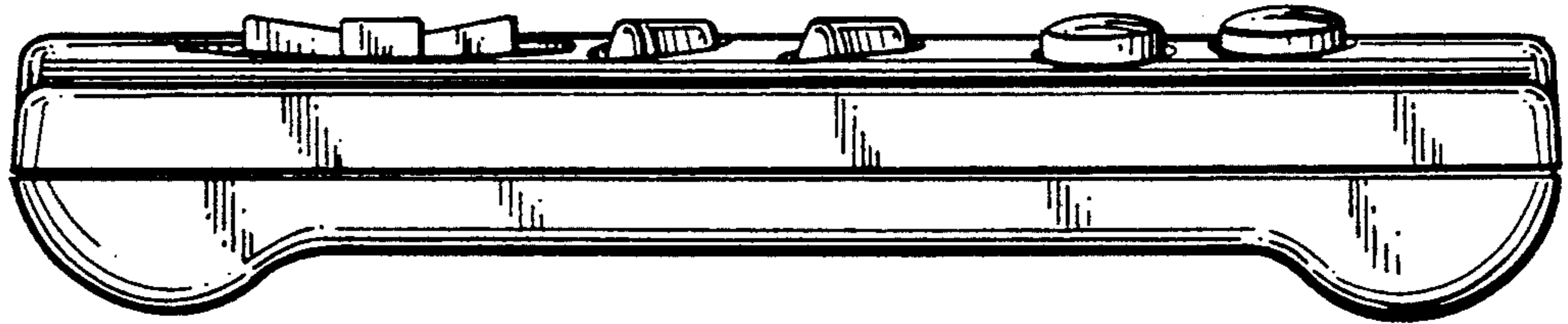


Fig. 4

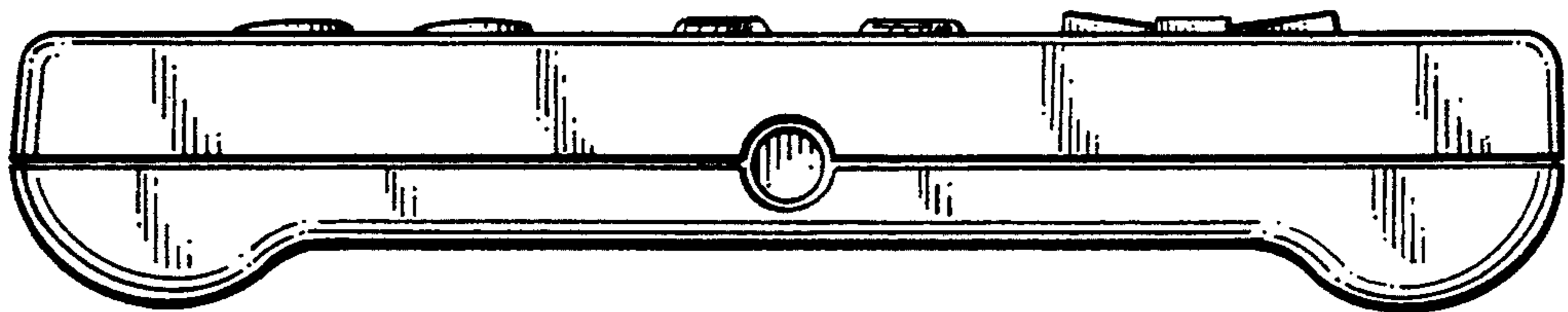


Fig. 5

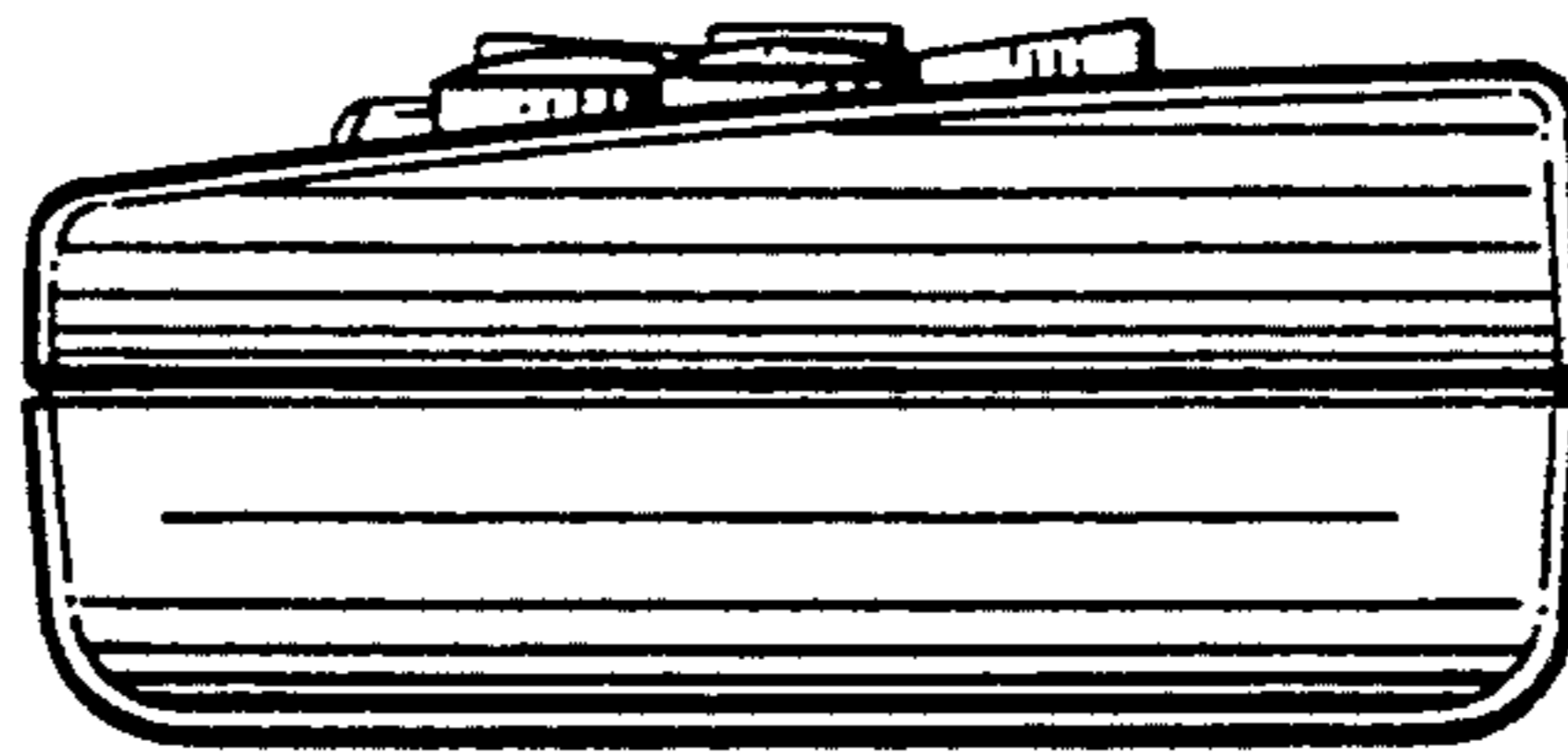


Fig. 6

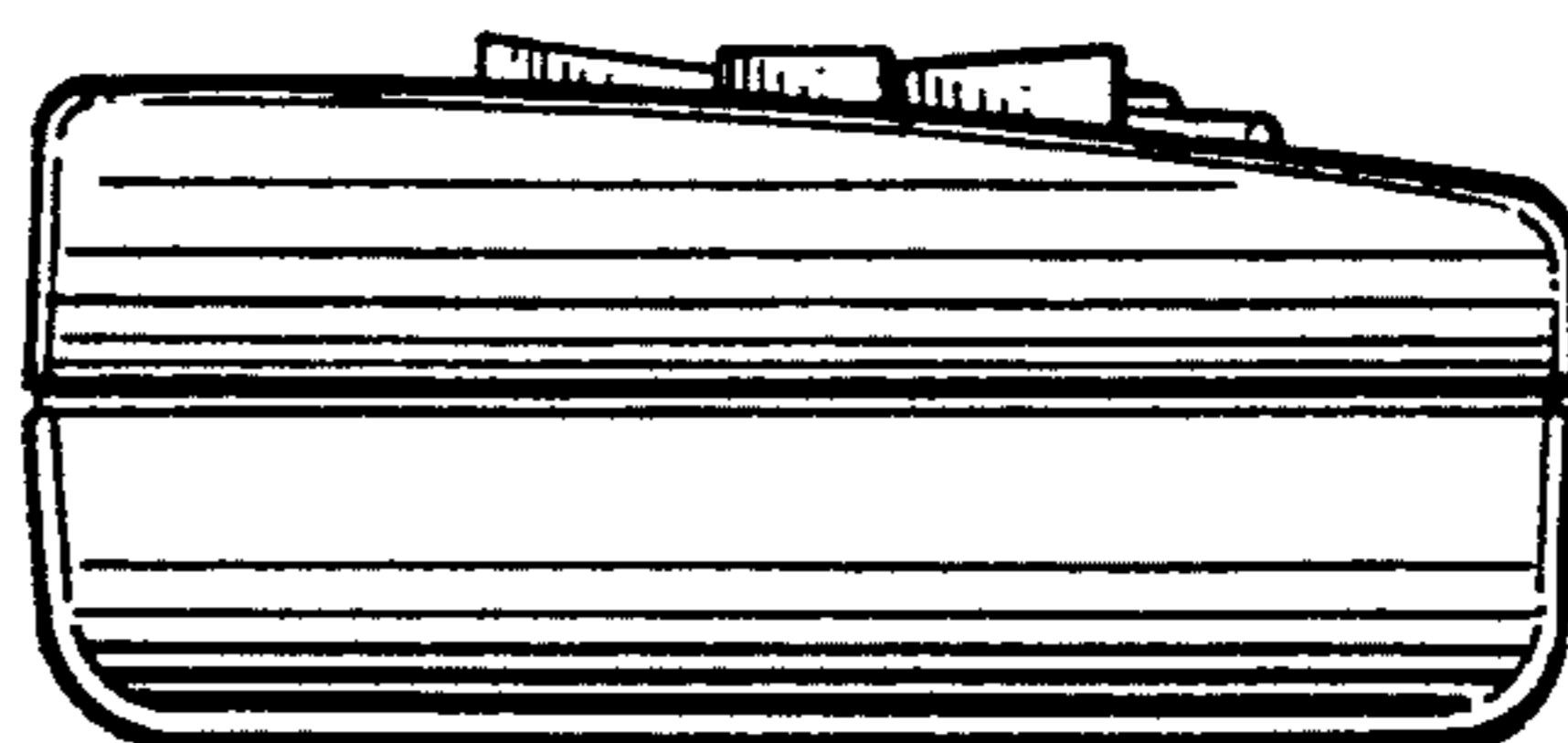


Fig. 7

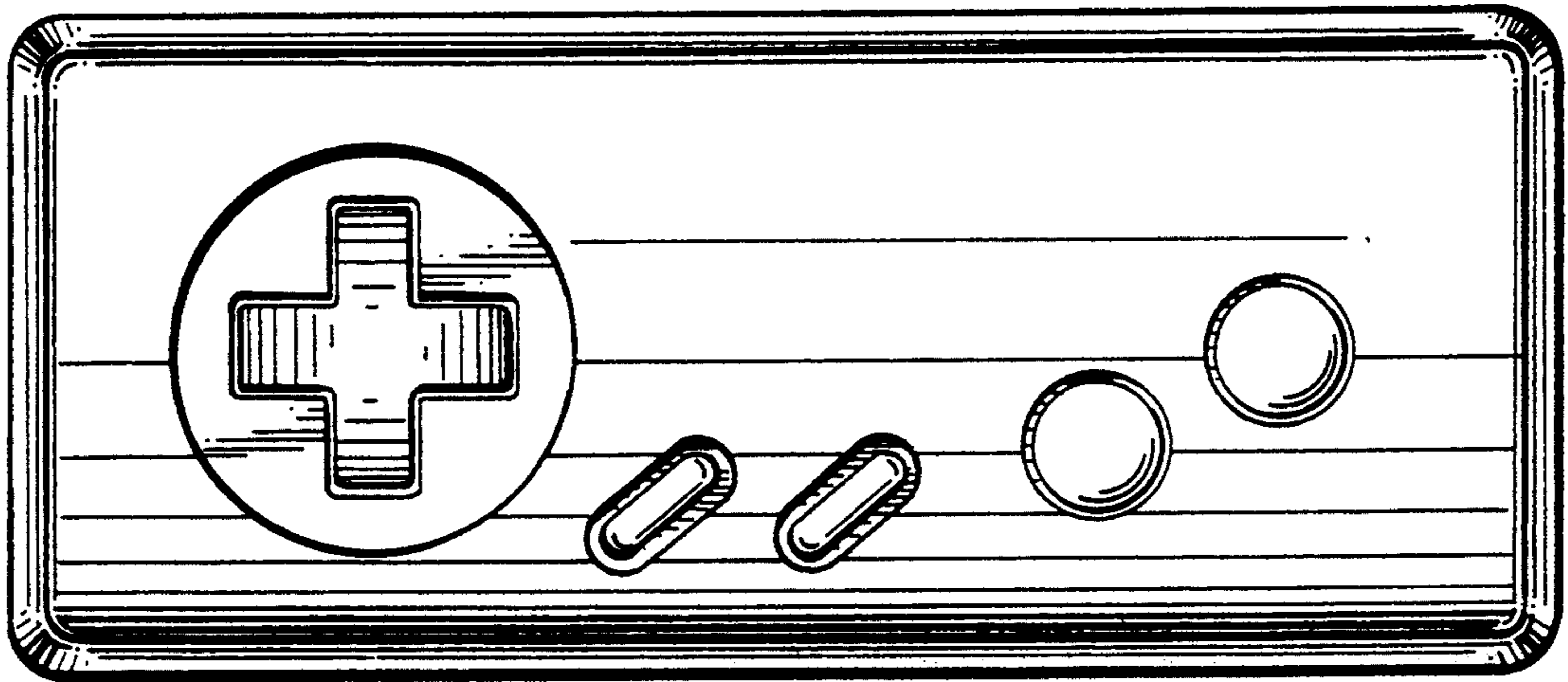
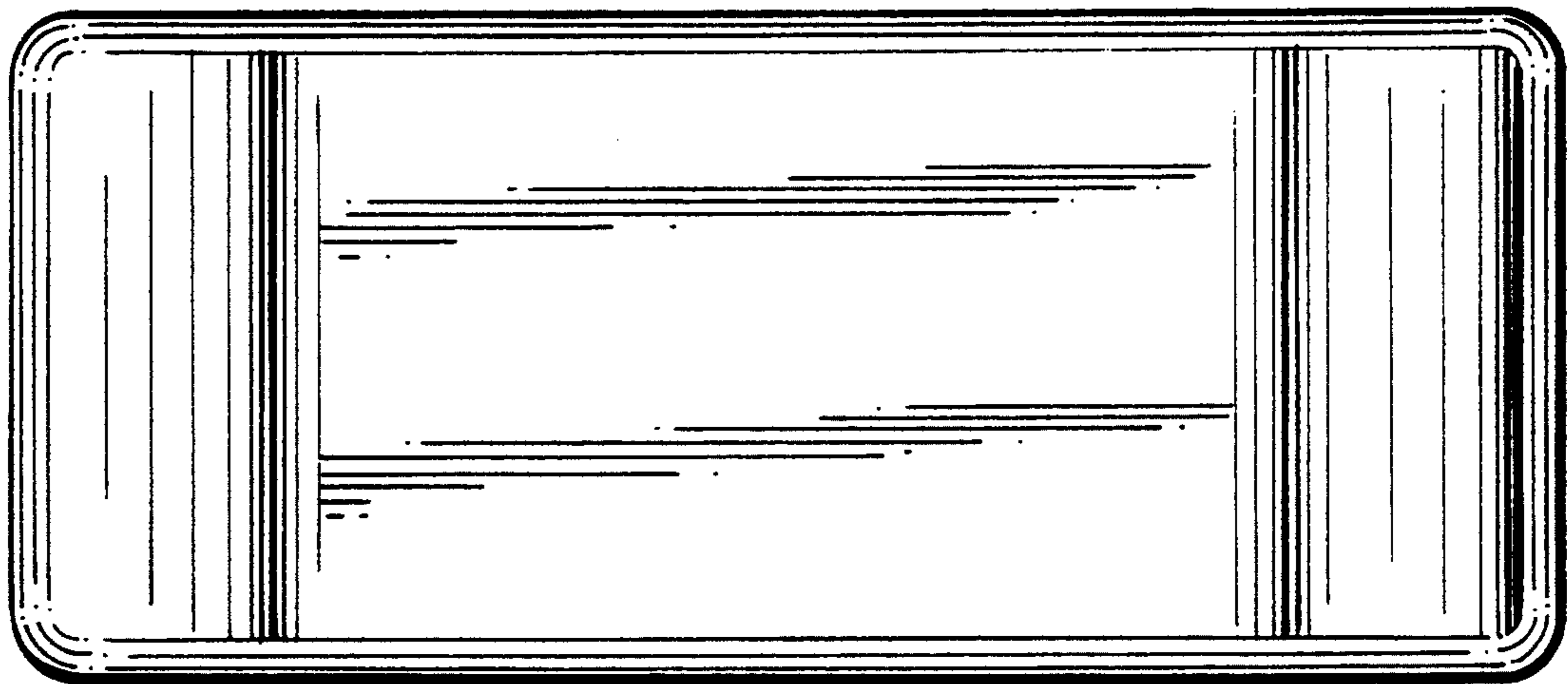


Fig. 8



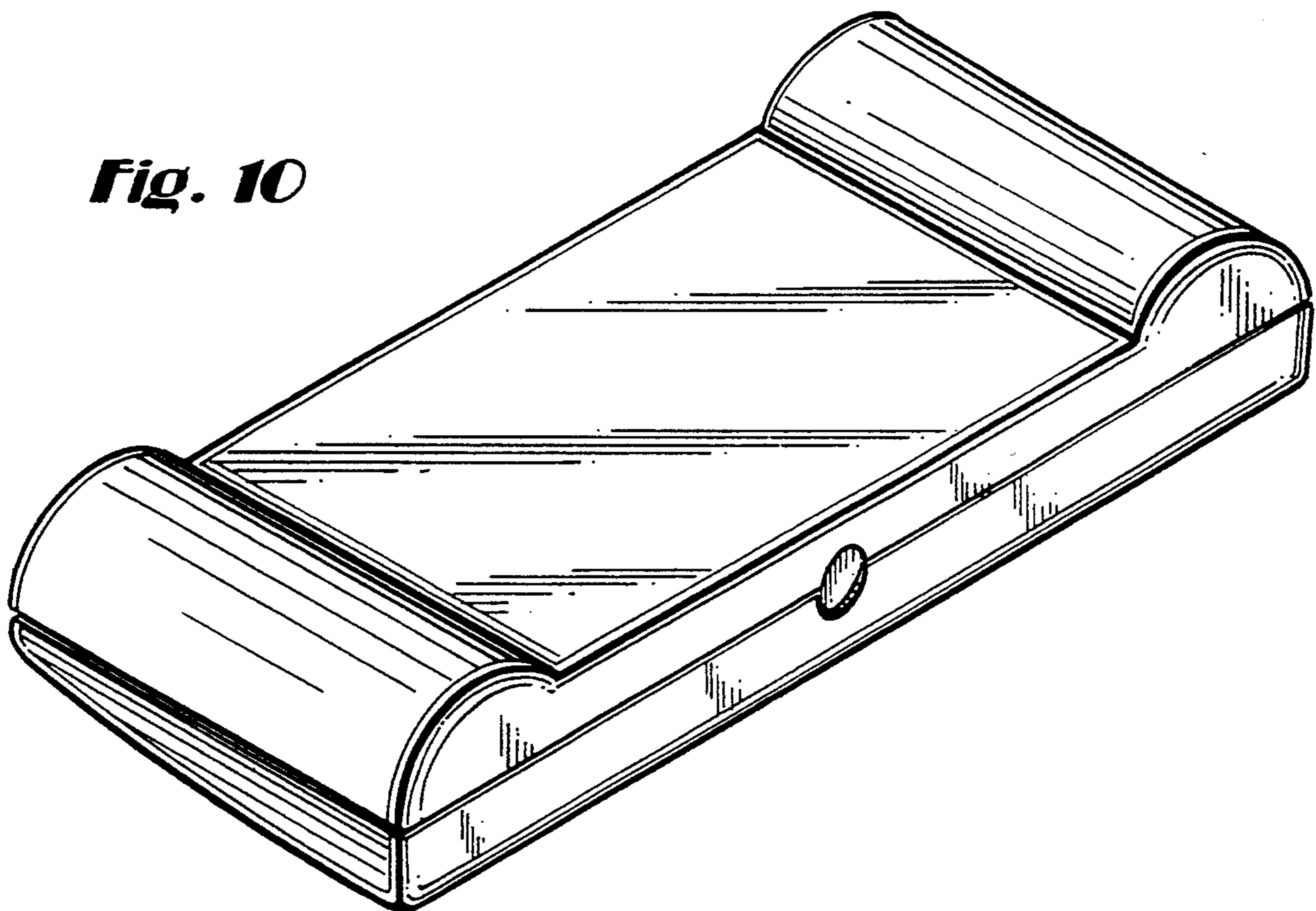
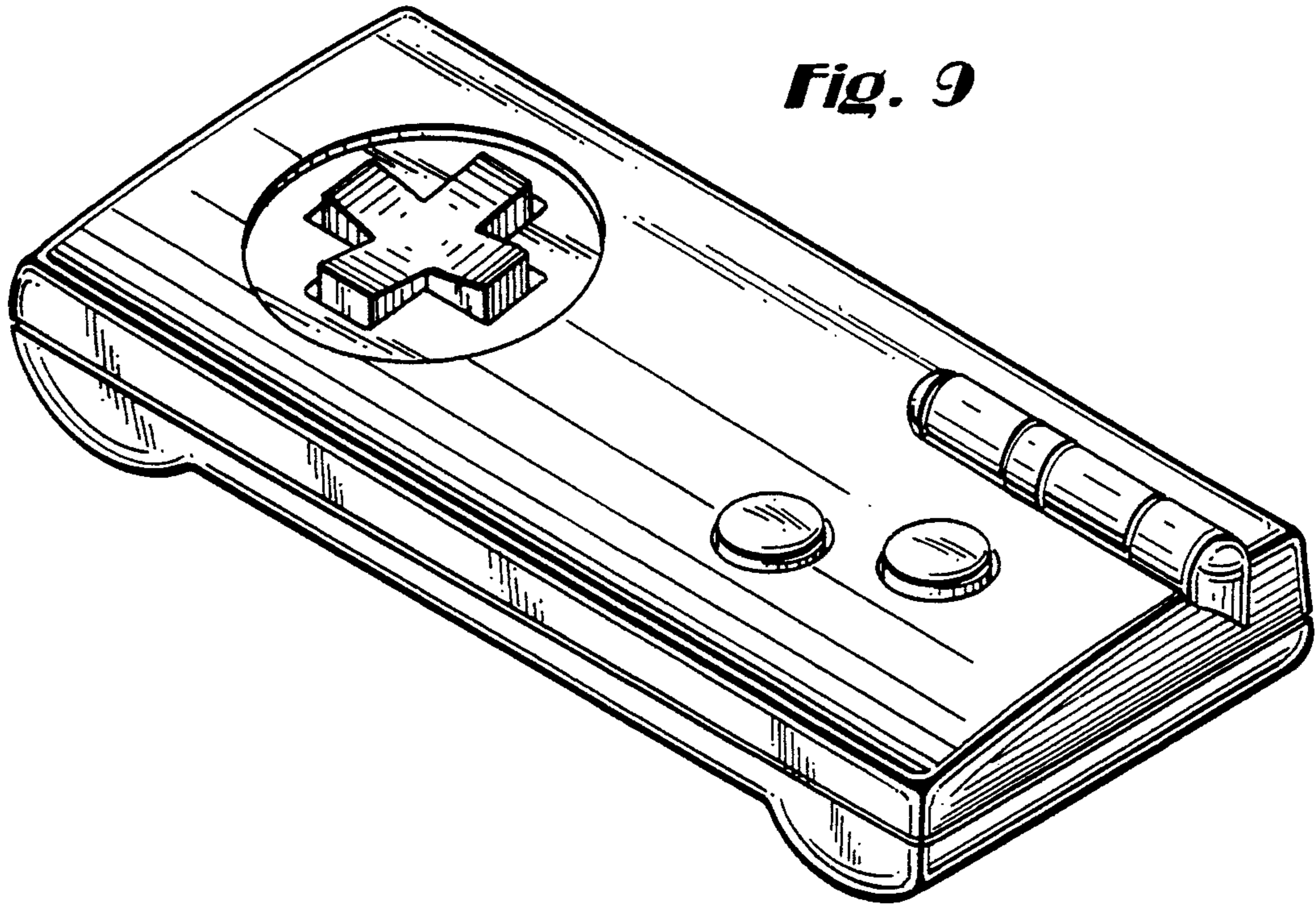


Fig. 11

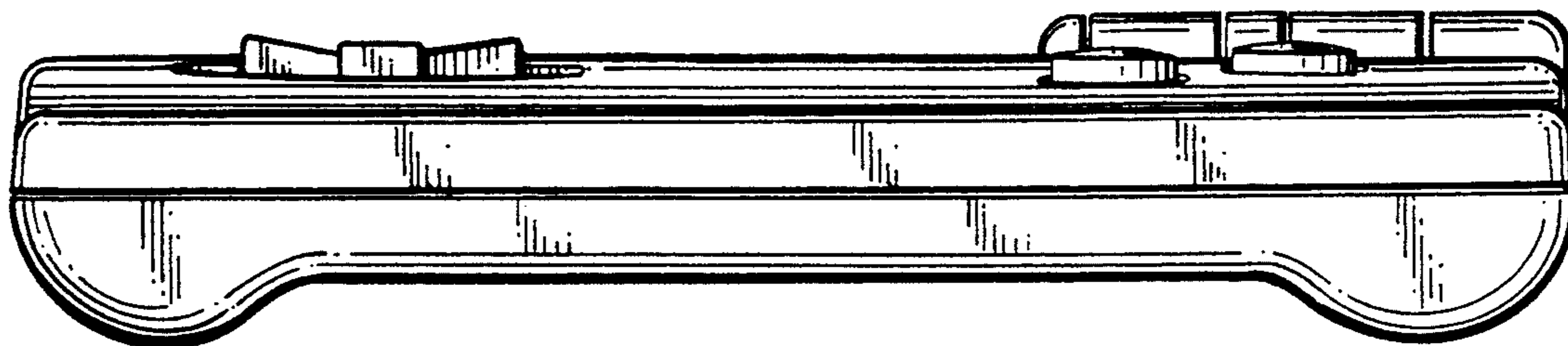


Fig. 12

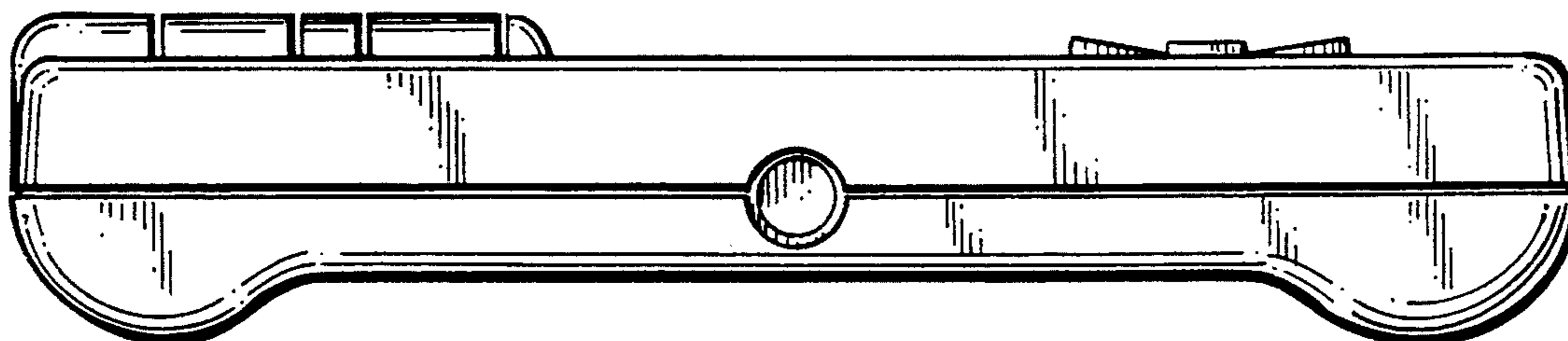


Fig. 13

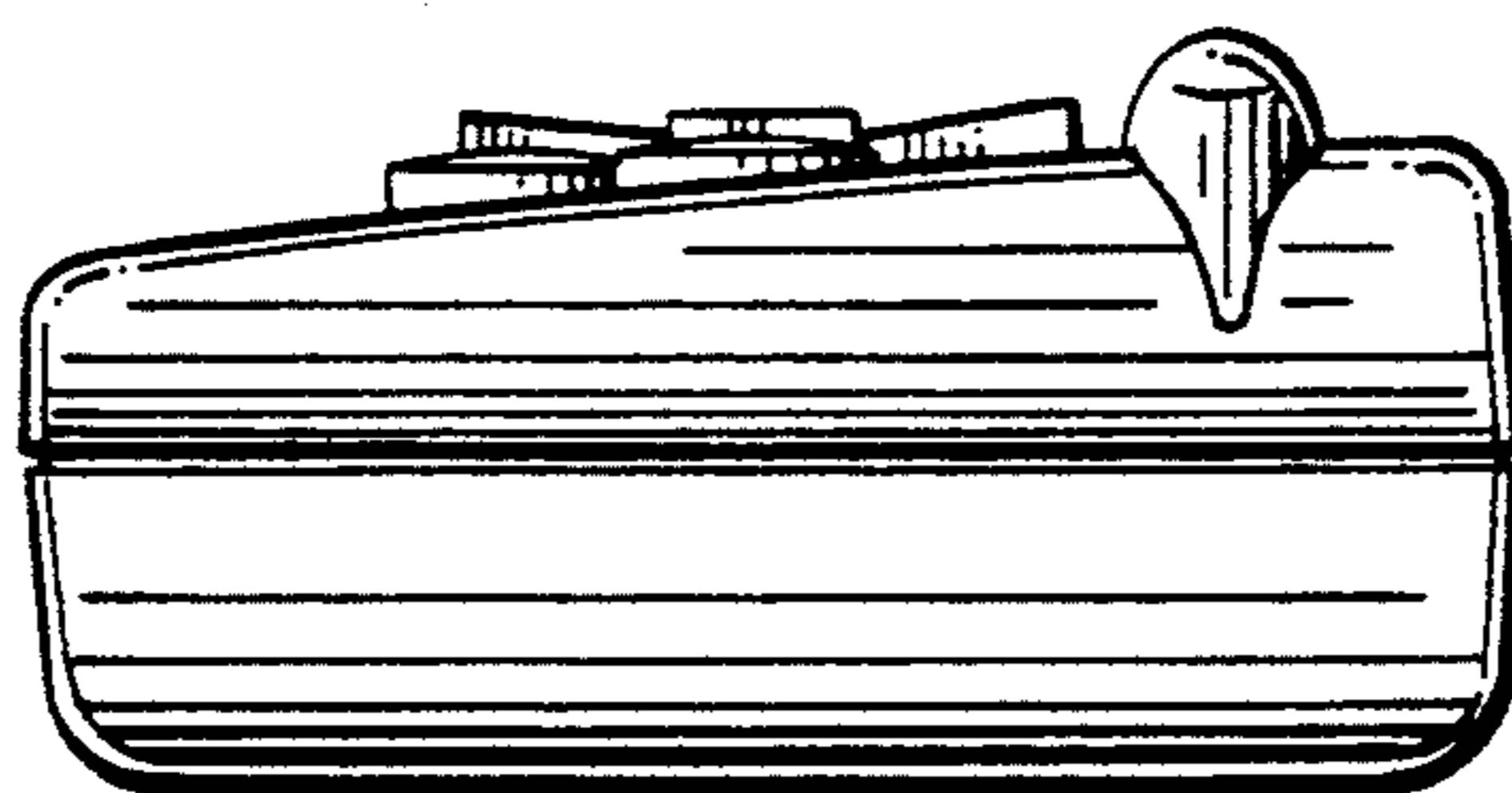


Fig. 14

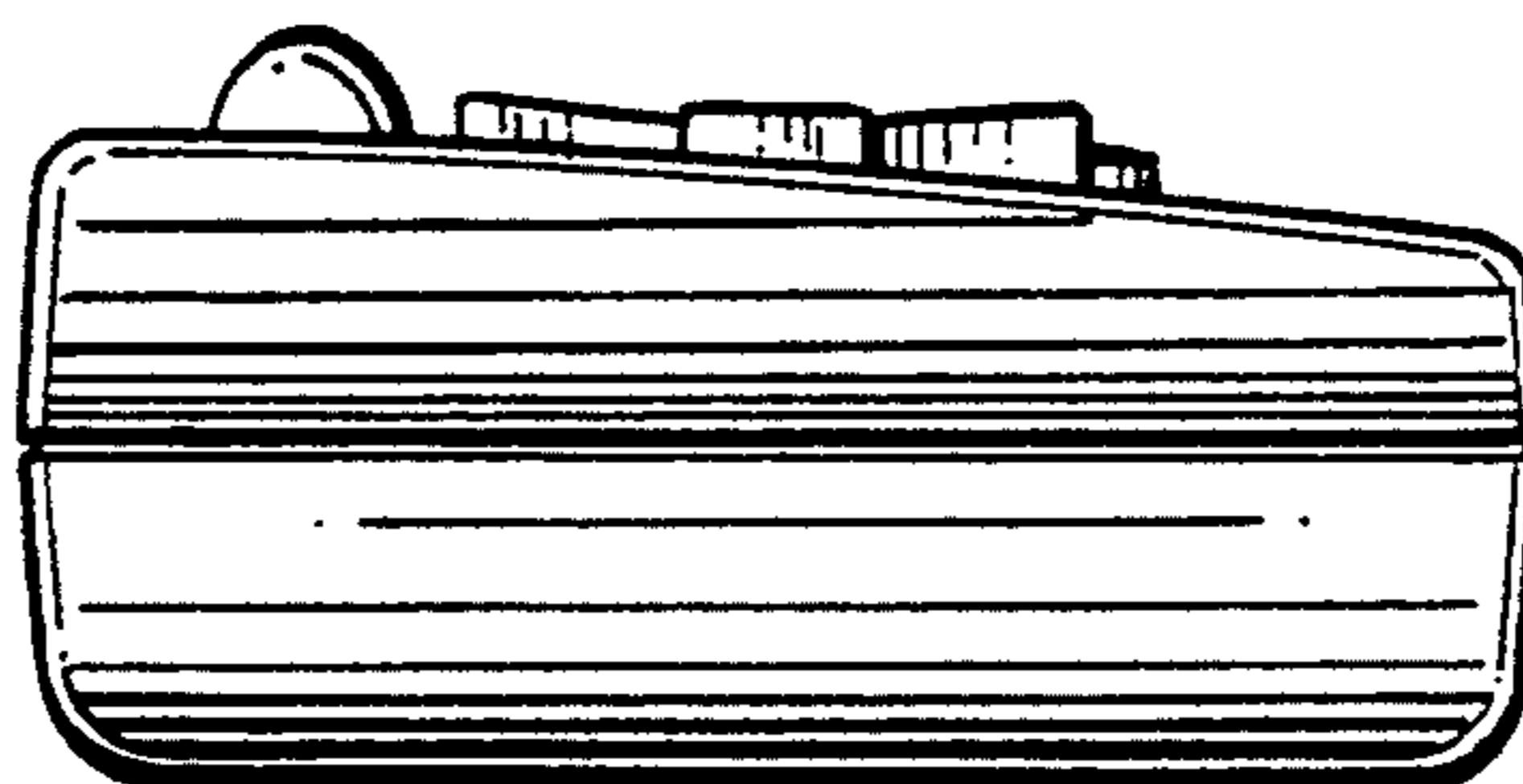


Fig. 15

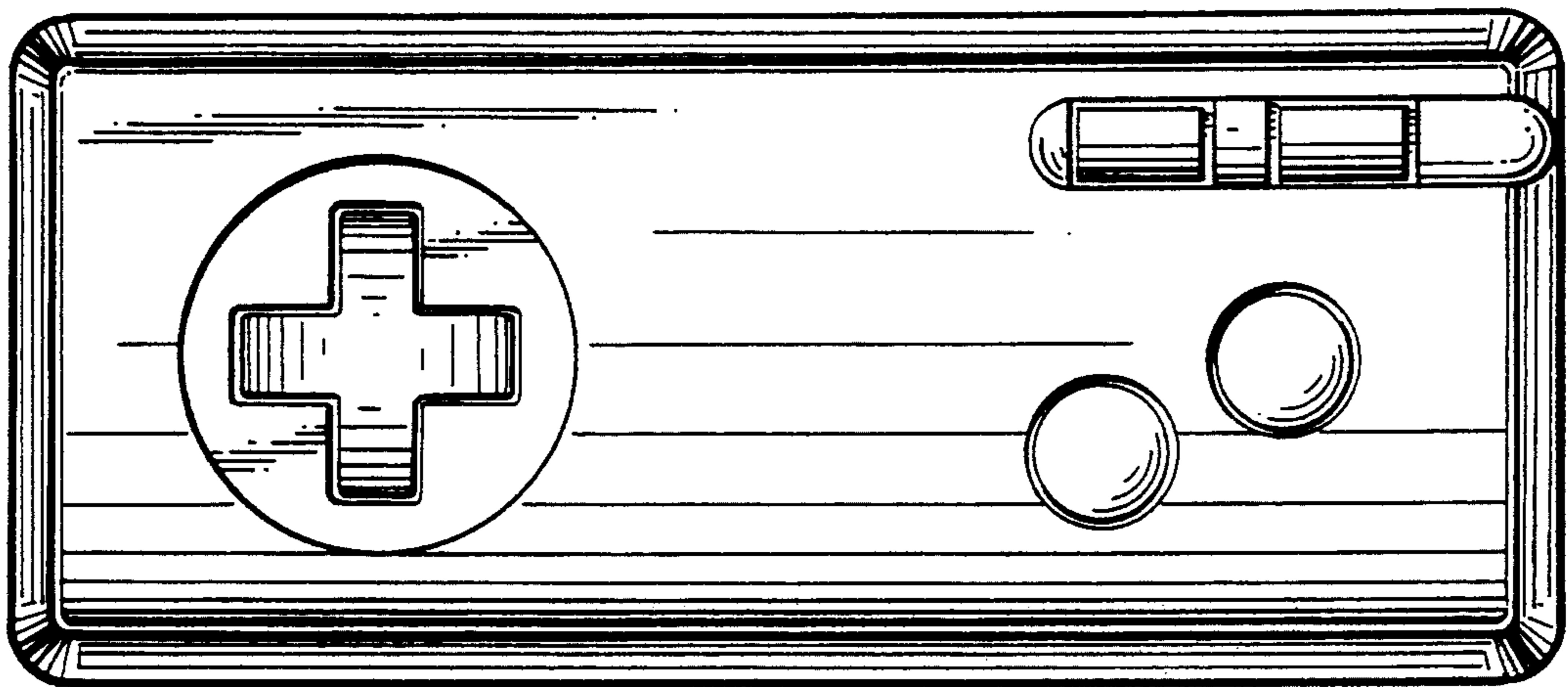


Fig. 16

