



US00D350773S

United States Patent [19]

Lincourt

[11] Patent Number: **Des. 350,773**

[45] Date of Patent: **** Sep. 20, 1994**

[54] **COMBINED DESK SET AND CLOCK**

[76] Inventor: **Alan E. Lincourt**, 20 Langdon Ave.,
P.O. Box 445, Richfield Springs,
N.Y. 13439

[**] Term: **14 Years**

[21] Appl. No.: **3,837**

[22] Filed: **Jan. 19, 1993**

[52] U.S. Cl. **D19/82; D10/2;**
D10/6; D19/84

[58] **Field of Search** 206/214, 224, 371;
211/69.1-69.9; 368/10; D10/2, 6; D11/131,
157; D19/36, 65, 81-85, 95, 99, 100

[56] **References Cited**

U.S. PATENT DOCUMENTS

- D. 194,363 1/1963 Fried .
- D. 208,314 8/1967 Guerrero, Sr. D19/97 X
- D. 221,463 8/1971 Polisky .
- D. 266,436 10/1982 Smith D19/82 X
- D. 270,899 10/1983 Huang D19/82 X

- D. 274,986 8/1984 Mermelstein .
- 4,505,597 3/1985 Flinn, Jr. .
- 4,702,614 10/1987 Copley et al. .

OTHER PUBLICATIONS

Hong Kong Enterprise, Jun. 1990, p. 73, see circled clock, lower center.

Primary Examiner—Martie Thompson

Attorney, Agent, or Firm—Schmeiser, Morelle & Watts

[57] **CLAIM**

The ornamental design for a combined desk set and clock, as shown.

DESCRIPTION

FIG. 1 is a top plan view of a combined desk set and clock showing my new design;

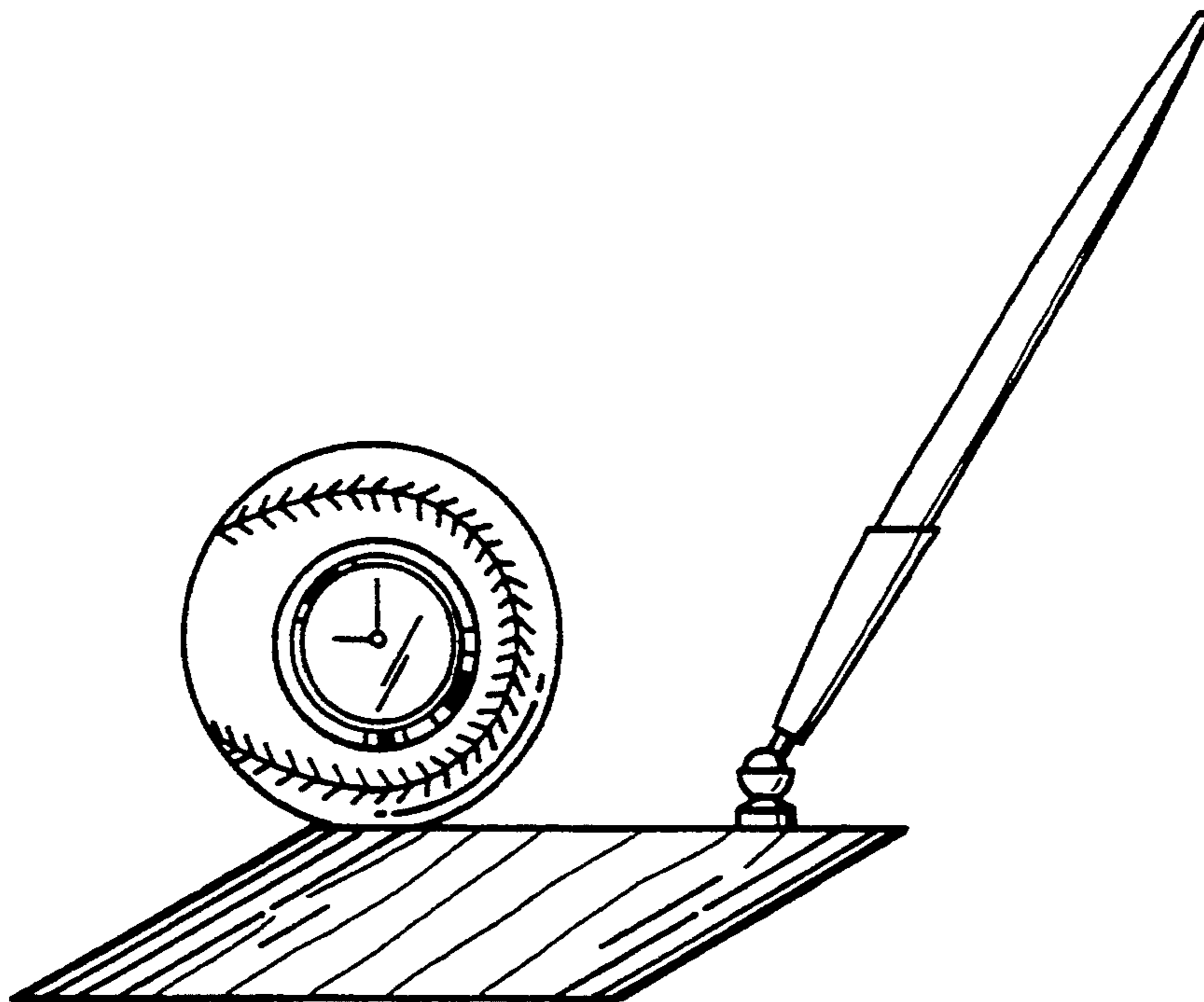
FIG. 2 is a left side elevational view;

FIG. 3 is a front elevational view;

FIG. 4 is a right side elevational view;

FIG. 5 is a top, left front perspective view; and,

FIG. 6 is a bottom, right rear perspective view thereof.



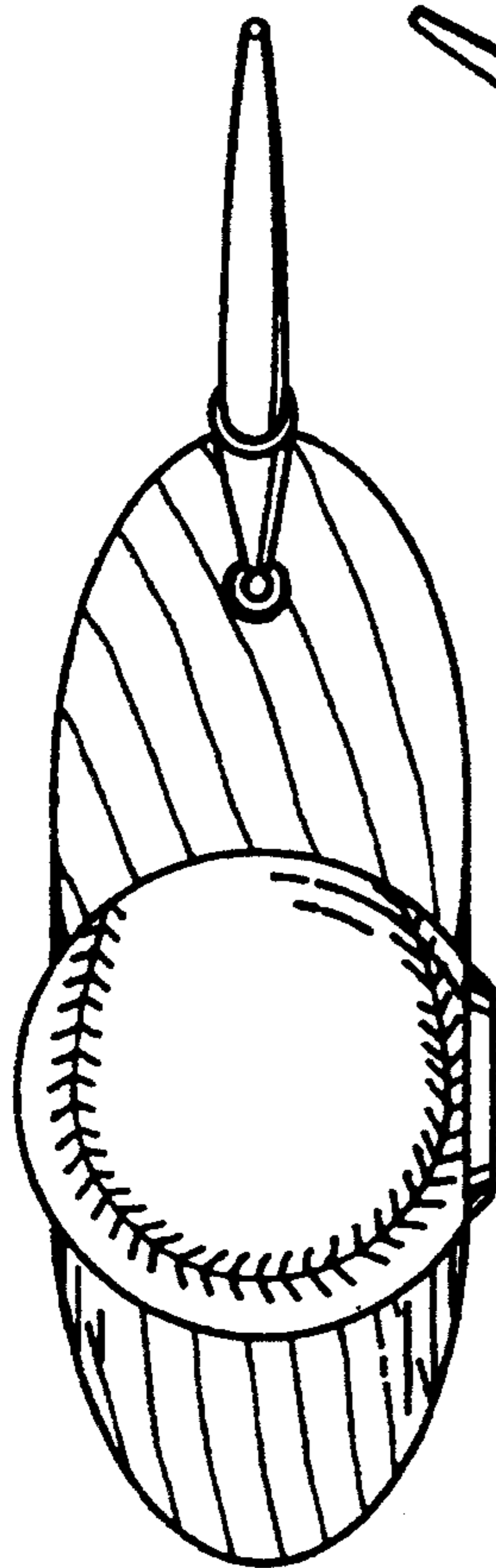


FIG. 1

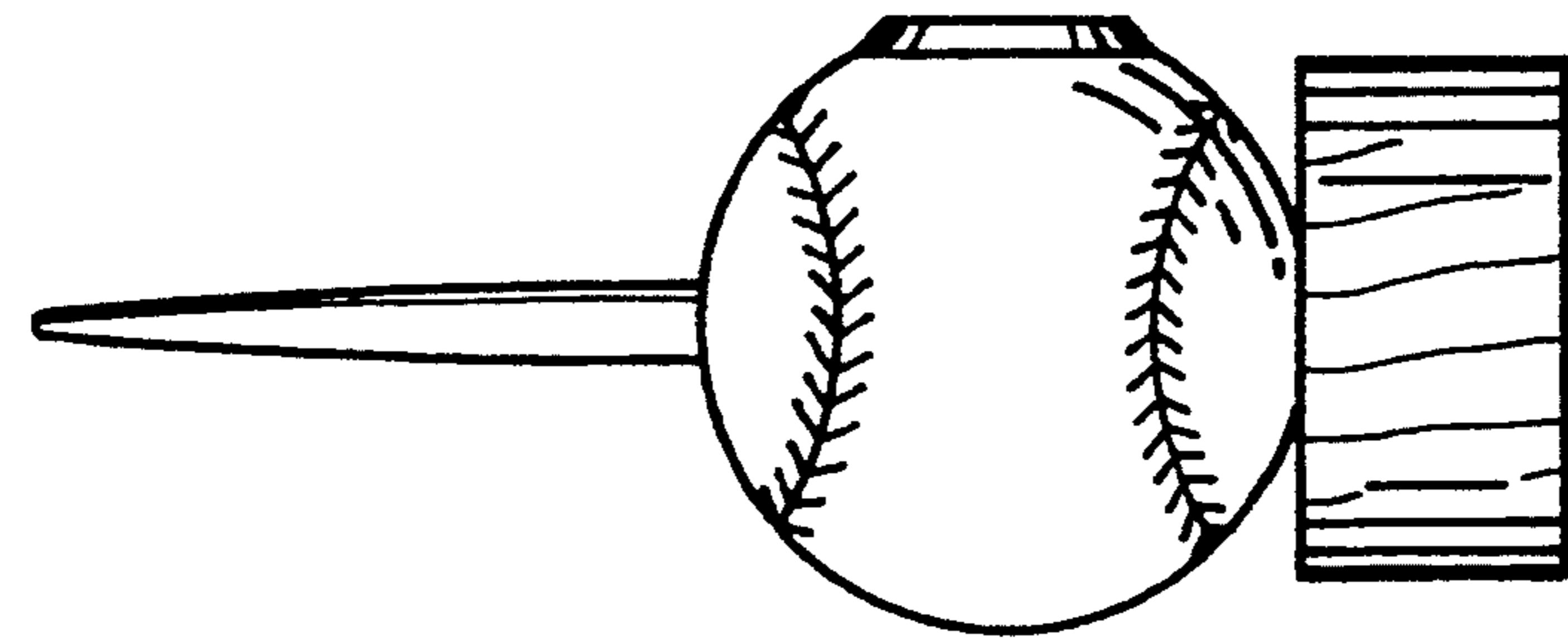


FIG. 2

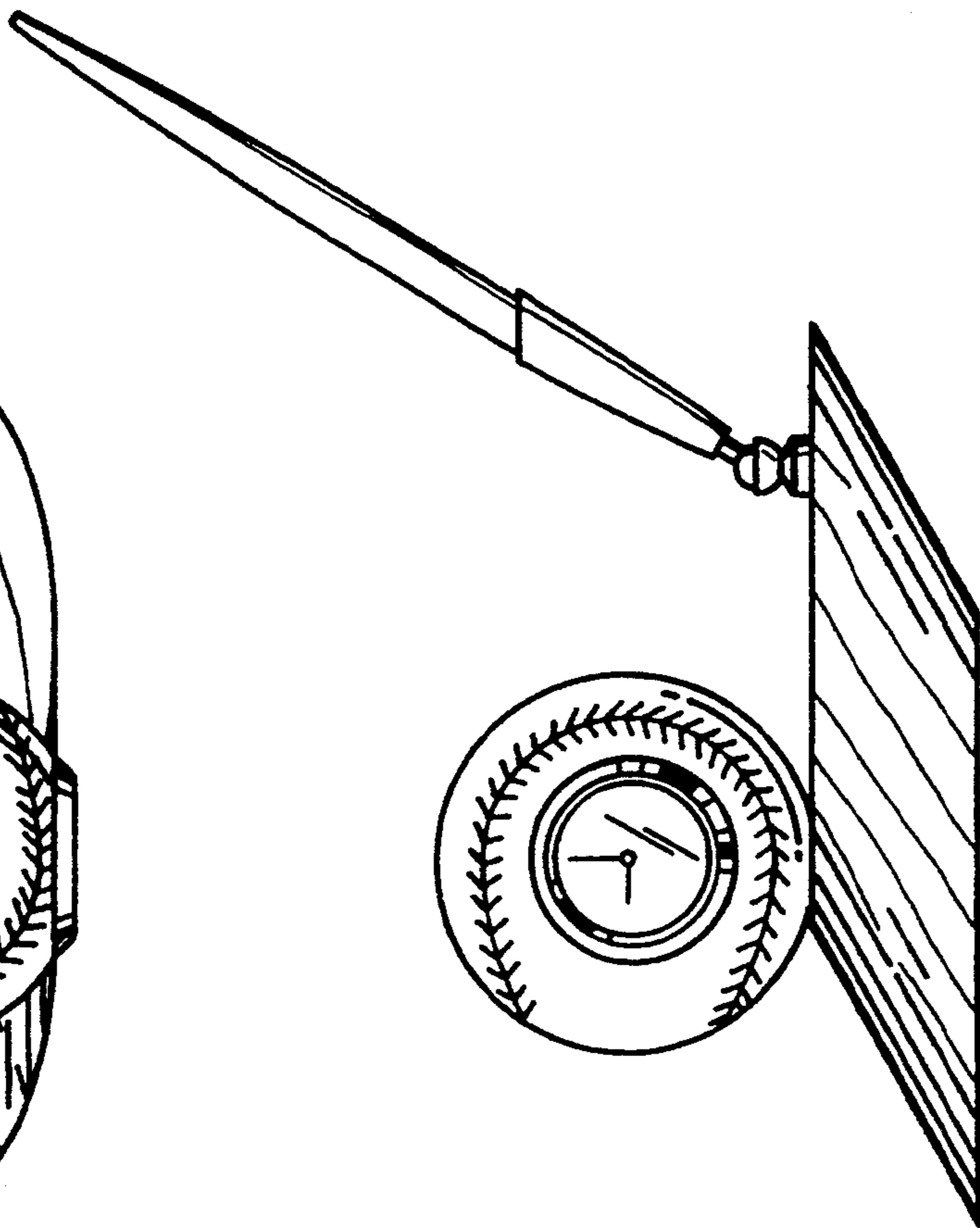


FIG. 3

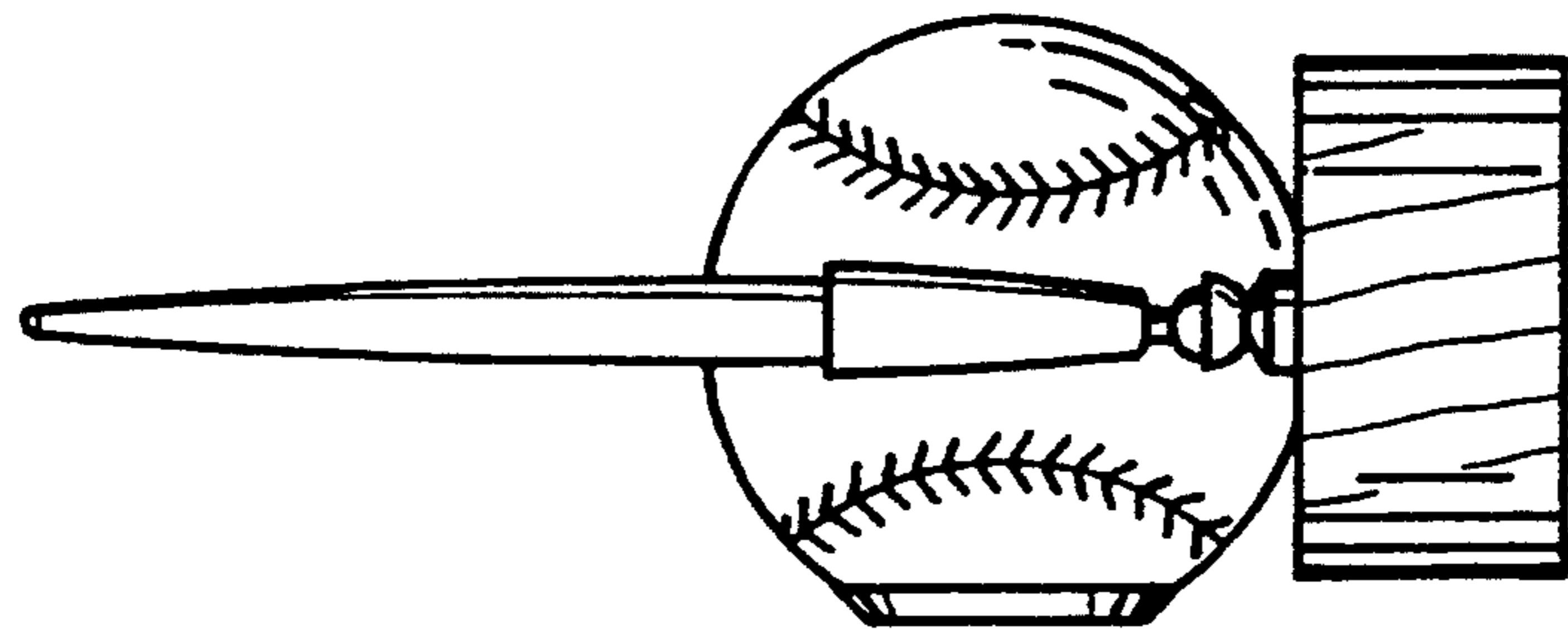


FIG. 4

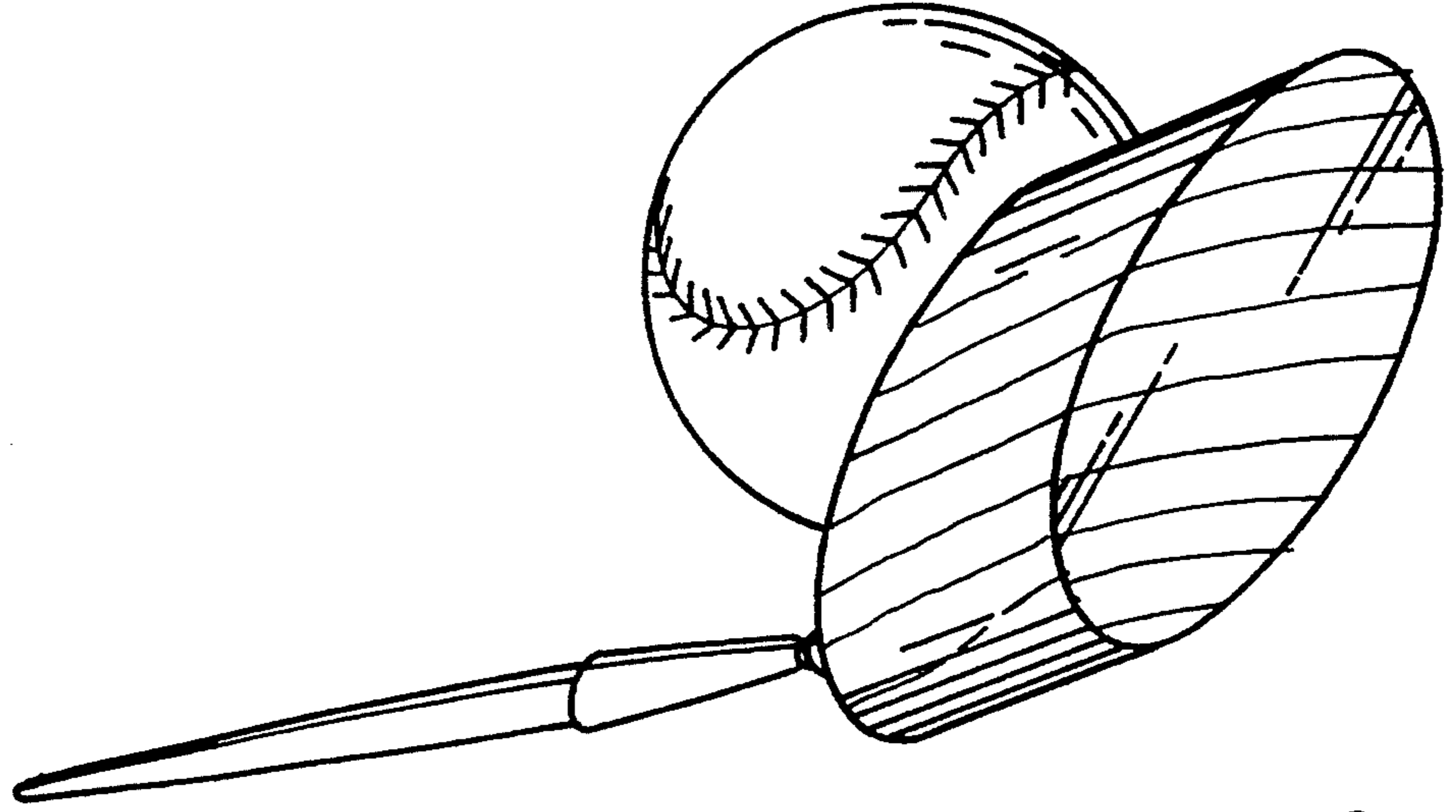


FIG. 6

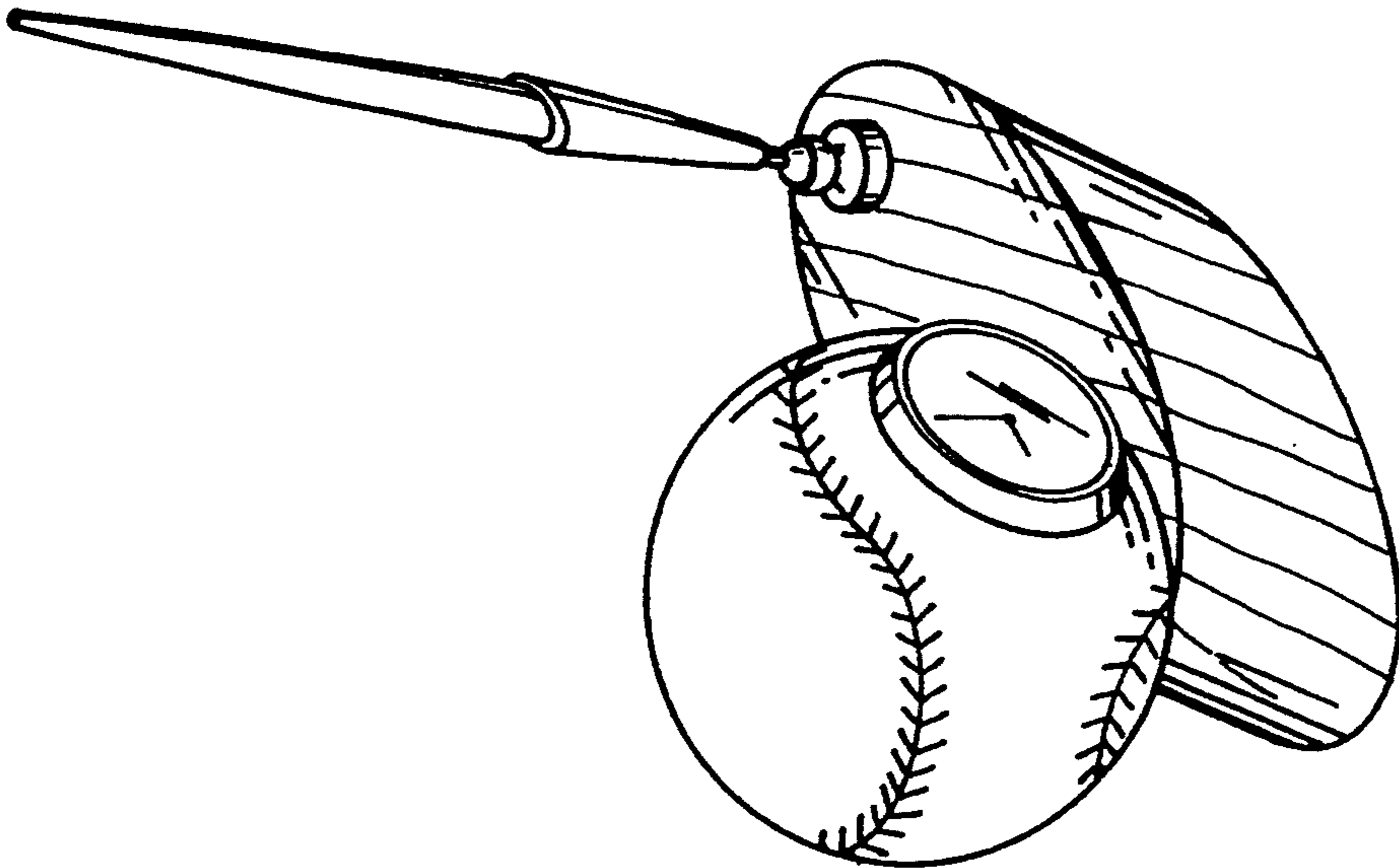


FIG. 5