



US00D350772S

United States Patent [19] King

[11] Patent Number: **Des. 350,772**
[45] Date of Patent: **** Sep. 20, 1994**

[54] **PUZZLE FOR TEACHING**
[76] Inventor: **Marcus S. King**, 1926 W. Casino Rd.
Apt H-204, Everett, Wash. 98204
[**] Term: **14 Years**
[21] Appl. No.: **2,239**
[22] Filed: **Dec. 4, 1992**
[52] U.S. Cl. **D19/64; D21/104**
[58] Field of Search 434/193, 200, 171, 172;
D19/59, 60, 62, 64, 193; D21/104, 105

3,903,617 9/1975 Evans 434/171

FOREIGN PATENT DOCUMENTS

492977 of 1954 Italy 434/171
816076 of 1959 United Kingdom 434/171

Primary Examiner—Wasllace R. Burke
Assistant Examiner—Pamela Burgess
Attorney, Agent, or Firm—Terry M. Gernstein

[57] CLAIM

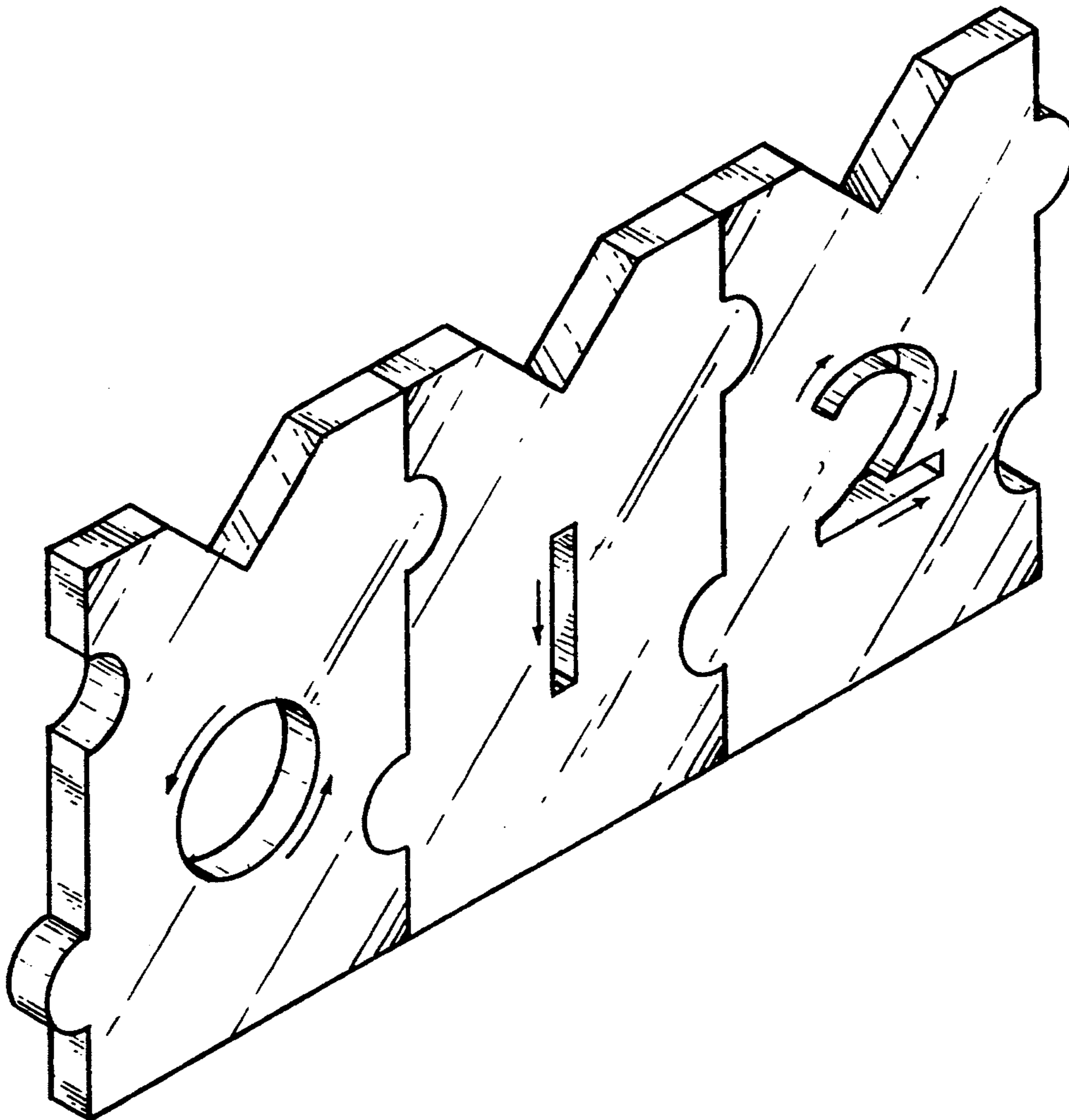
The ornamental design for a puzzle for teaching, as shown and described.

DESCRIPTION

FIG. 1 is a front, top and side perspective view of the puzzle for teaching showing my new design; FIG. 2 is a front end elevational view thereof; FIG. 3 is a rear end elevational view thereof; FIG. 4 is a side elevational view thereof; FIG. 5 is a side elevational view thereof; FIG. 6 is a top plan view thereof; and, FIG. 7 is a bottom plan view thereof.

[56] References Cited U.S. PATENT DOCUMENTS

D. 8,466	7/1875	Lyman	D21/108
D. 91,126	11/1933	Thompson	D19/59 X
D. 163,085	5/1951	Bishop	D19/59 X
D. 219,917	2/1971	Skinner	D19/59 X
D. 235,673	7/1975	Root	D19/59 X
D. 316,730	5/1991	Yoshida	D21/107
D. 320,242	9/1991	Slayton	D21/107



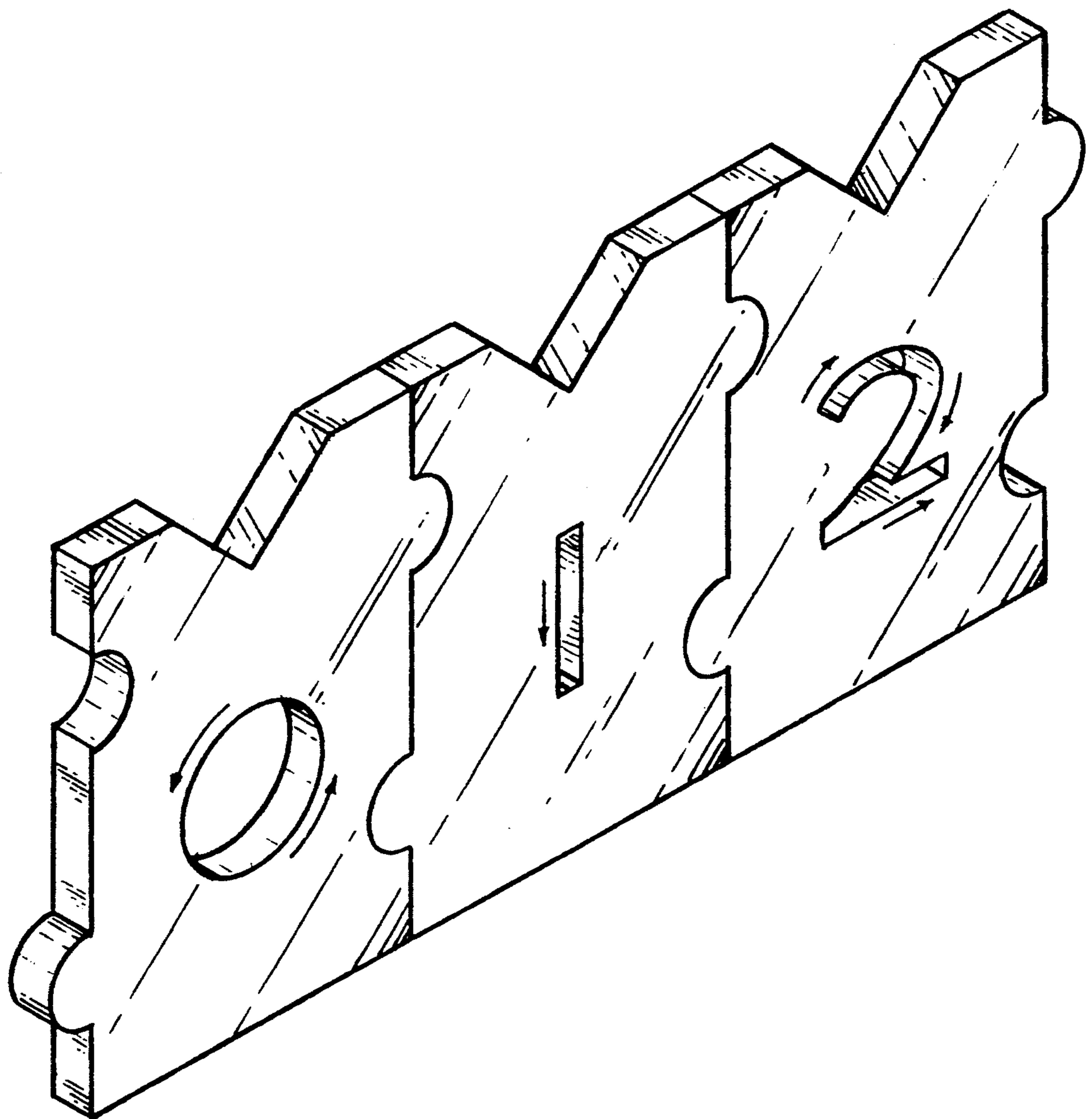


FIG. 1



FIG. 2



FIG. 3

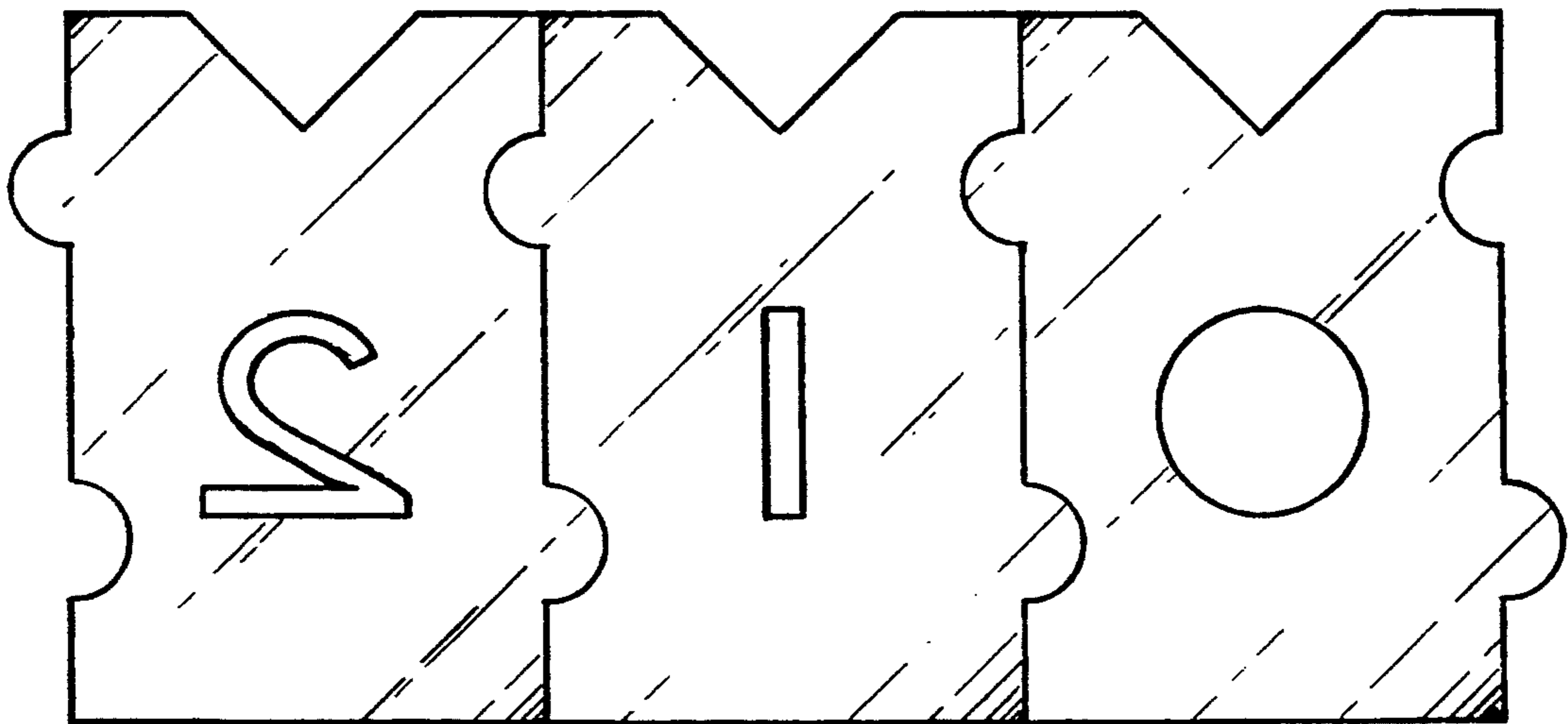


FIG. 4

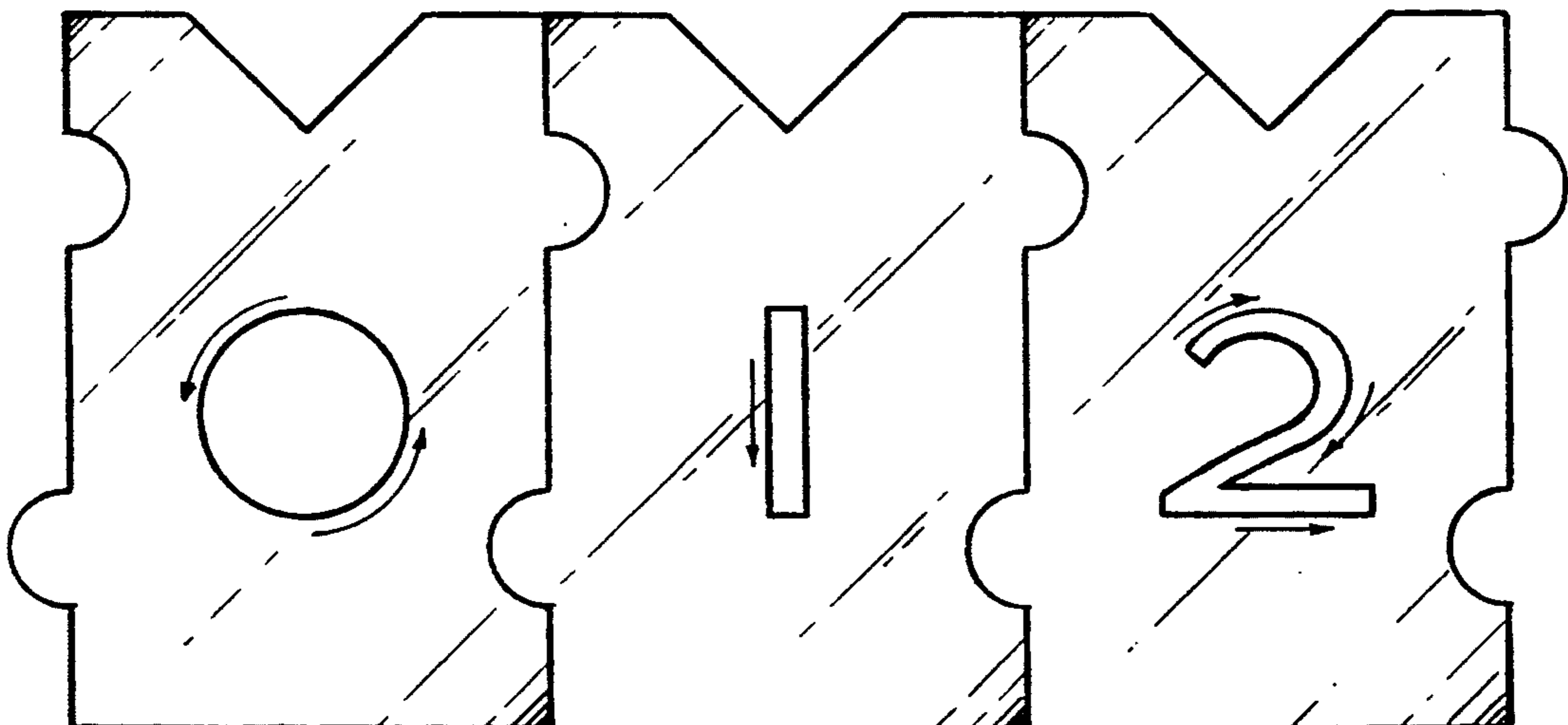


FIG. 5



FIG. 6



FIG. 7