



US00D350768S

# United States Patent [19]

[11] Patent Number: **Des. 350,768**

**Kishino**

[45] Date of Patent: **\*\* Sep. 20, 1994**

## [54] TONER CARTRIDGE

[75] Inventor: **Minoru Kishino**, Kanagawa, Japan

[73] Assignee: **Olympus Optical Co., Ltd.**, Tokyo, Japan

[\*\*] Term: **14 Years**

[21] Appl. No.: **889,089**

[22] Filed: **May 26, 1992**

### [30] Foreign Application Priority Data

Oct. 20, 1991 [JP] Japan ..... 3-32505

[52] U.S. Cl. .... **D18/43**

[58] Field of Search ..... 118/657; 141/1;  
206/216, 446, 461, 527; 222/166, 240, 325, 541,  
DIG. 1; 355/260, 298; D18/43; D19/66, 70, 71

### [56] References Cited

#### U.S. PATENT DOCUMENTS

D. 236,694	9/1975	Avolio .....	D18/43
D. 284,865	7/1986	Gendron .....	D18/43
D. 298,332	11/1988	Yoshiyama .....	D18/43
D. 321,716	11/1991	Kikuchi et al. ....	D18/43
4,732,277	3/1988	Smith .....	222/DIG. 1 X
4,986,450	1/1991	Yasuda et al. ....	222/DIG. 1 X

## OTHER PUBLICATIONS

Jacobs-Gardner Office Products Catalog-1990, p. 527.

*Primary Examiner*—Alan P. Douglas

*Assistant Examiner*—Robert M. Spear

*Attorney, Agent, or Firm*—Frishauf, Holtz, Goodman & Woodward

## [57] CLAIM

The ornamental design for a toner cartridge, as shown.

## DESCRIPTION

FIG. 1 is a front elevational view of a toner cartridge showing my new design;

FIG. 2 is a top plan view thereof;

FIG. 3 is a bottom plan view thereof;

FIG. 4 is a rear elevational view thereof;

FIG. 5 is a left side elevational view thereof;

FIG. 6 is a right side elevational view thereof;

FIG. 7 is a front, upper left perspective view thereof;

FIG. 8 is a rear, upper right perspective view thereof;

FIG. 9 is a sectional view of a left end portion thereof, taken along the line 9—9 in FIG. 7; and,

FIG. 10 is a sectional view of a right end portion thereof, taken along the line 10—10 in FIG. 8.

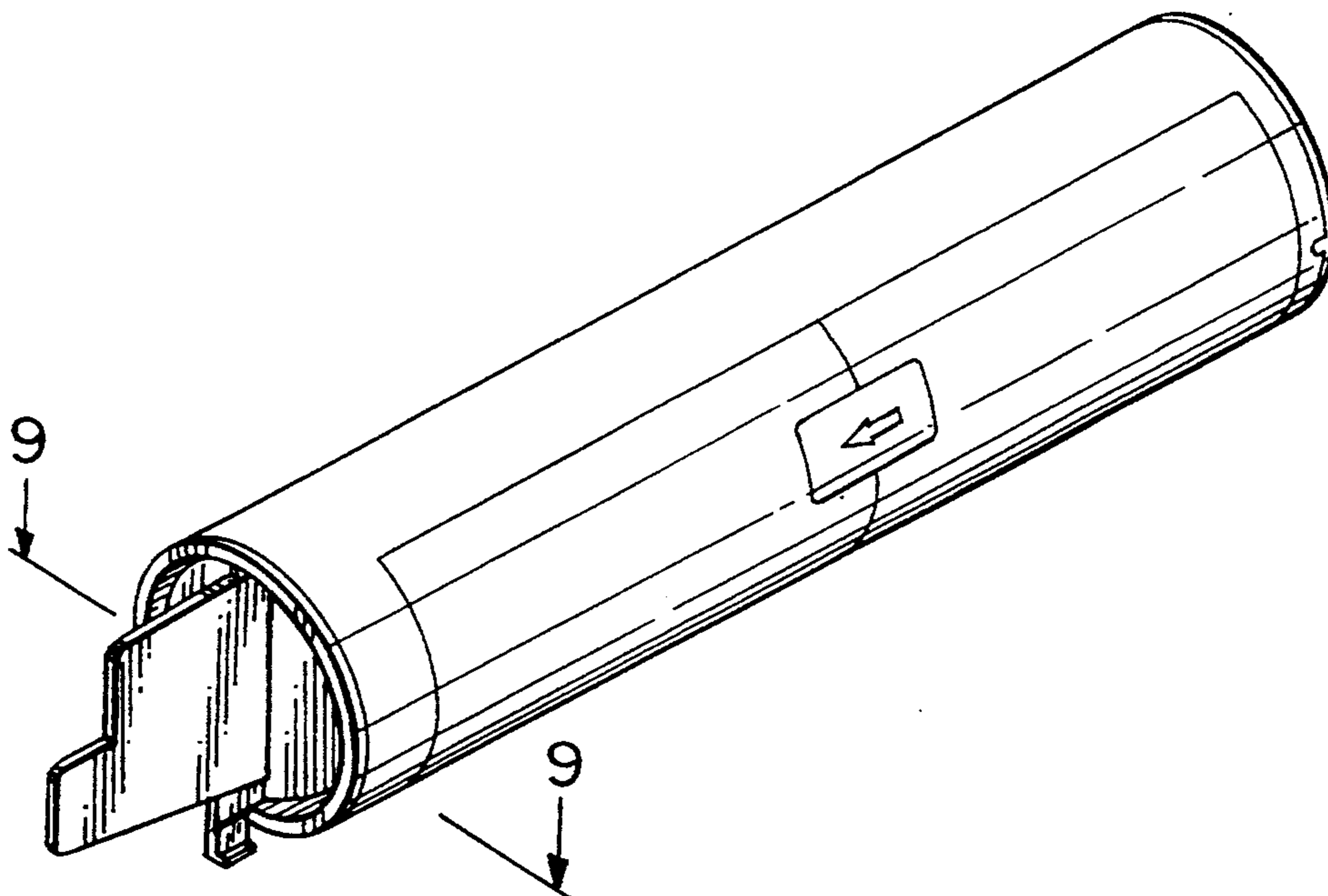


FIG. 1

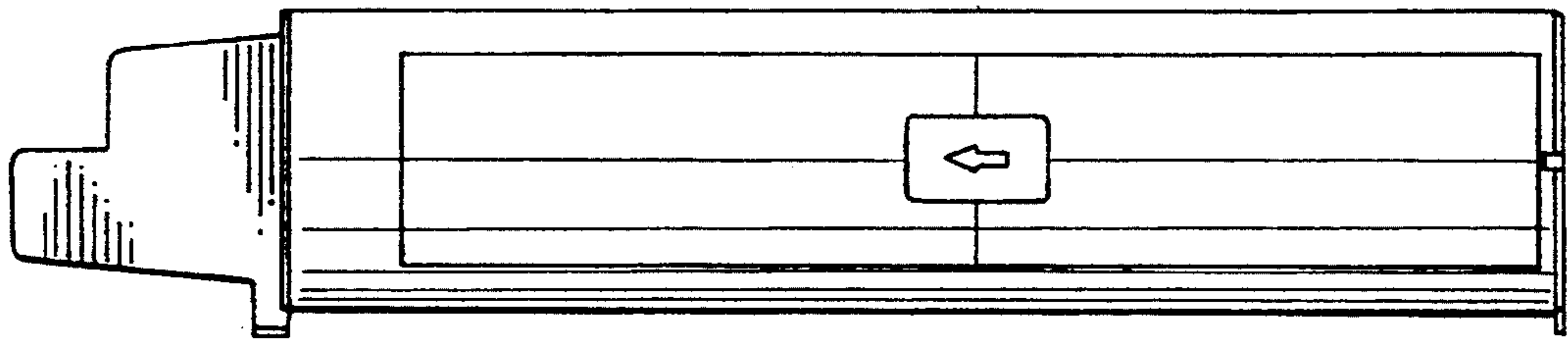


FIG. 2

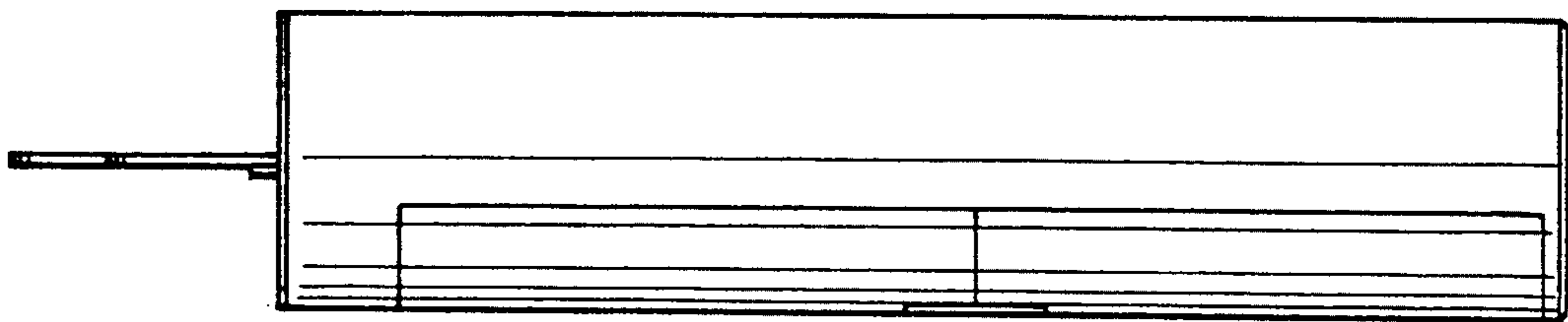


FIG. 3

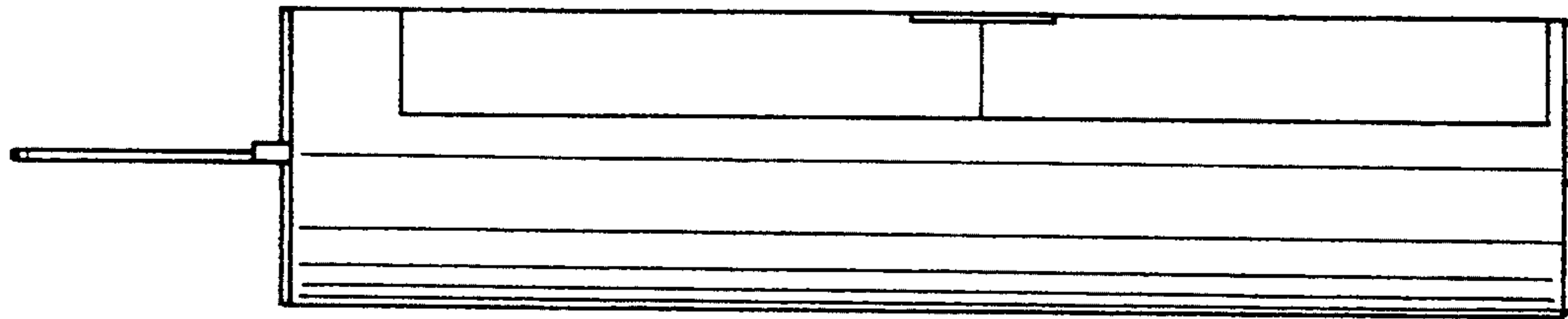


FIG. 4

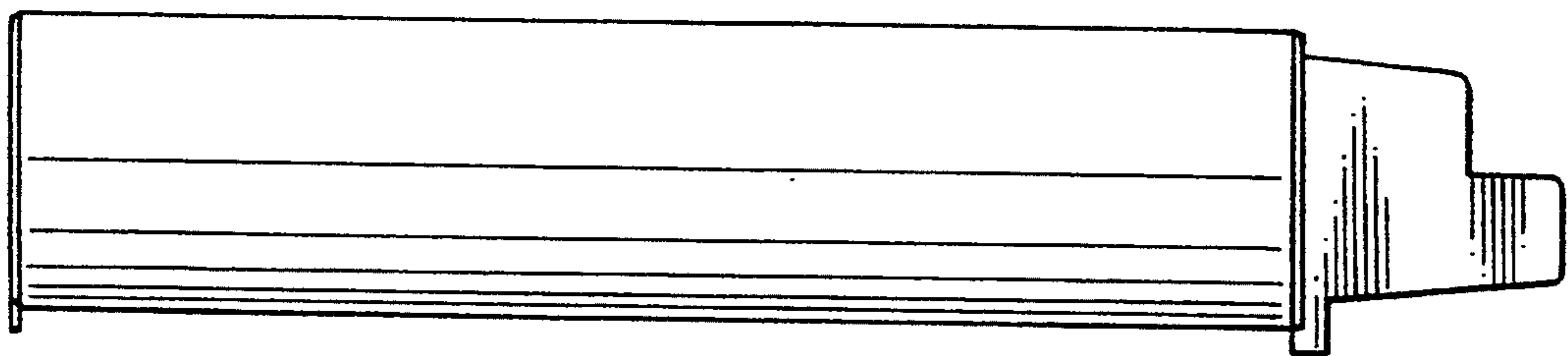


FIG. 5

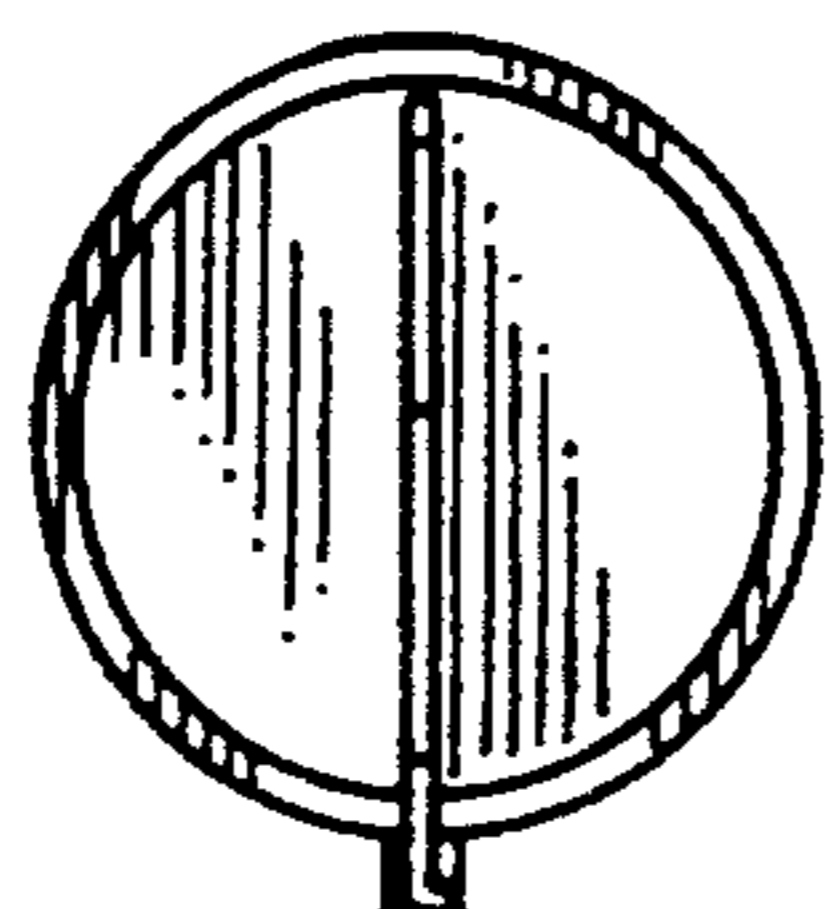
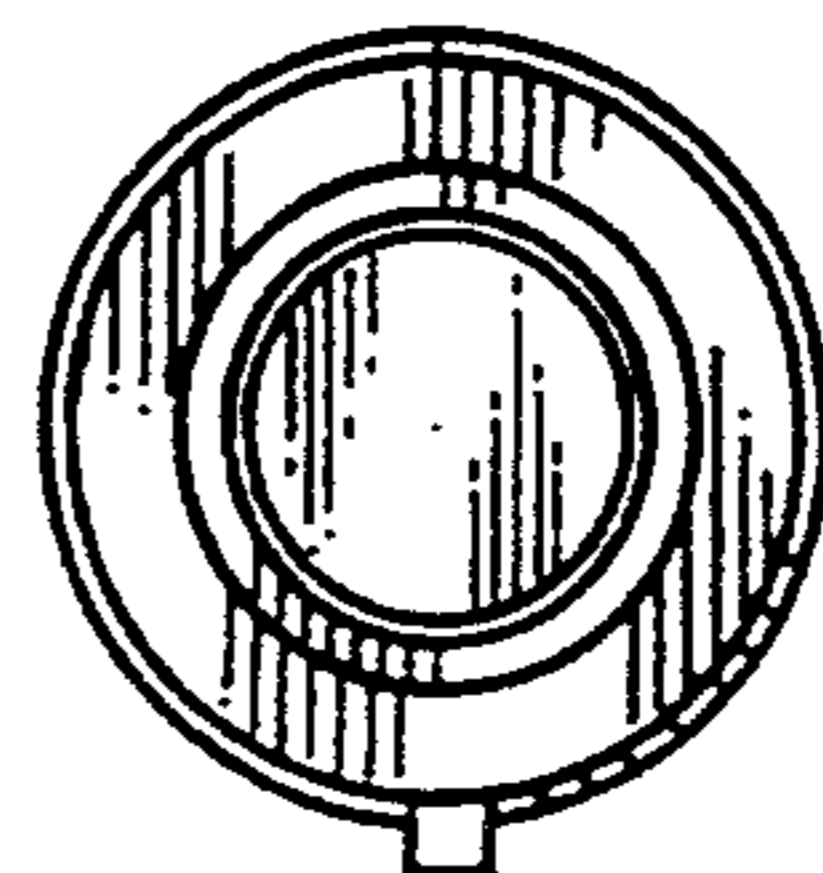
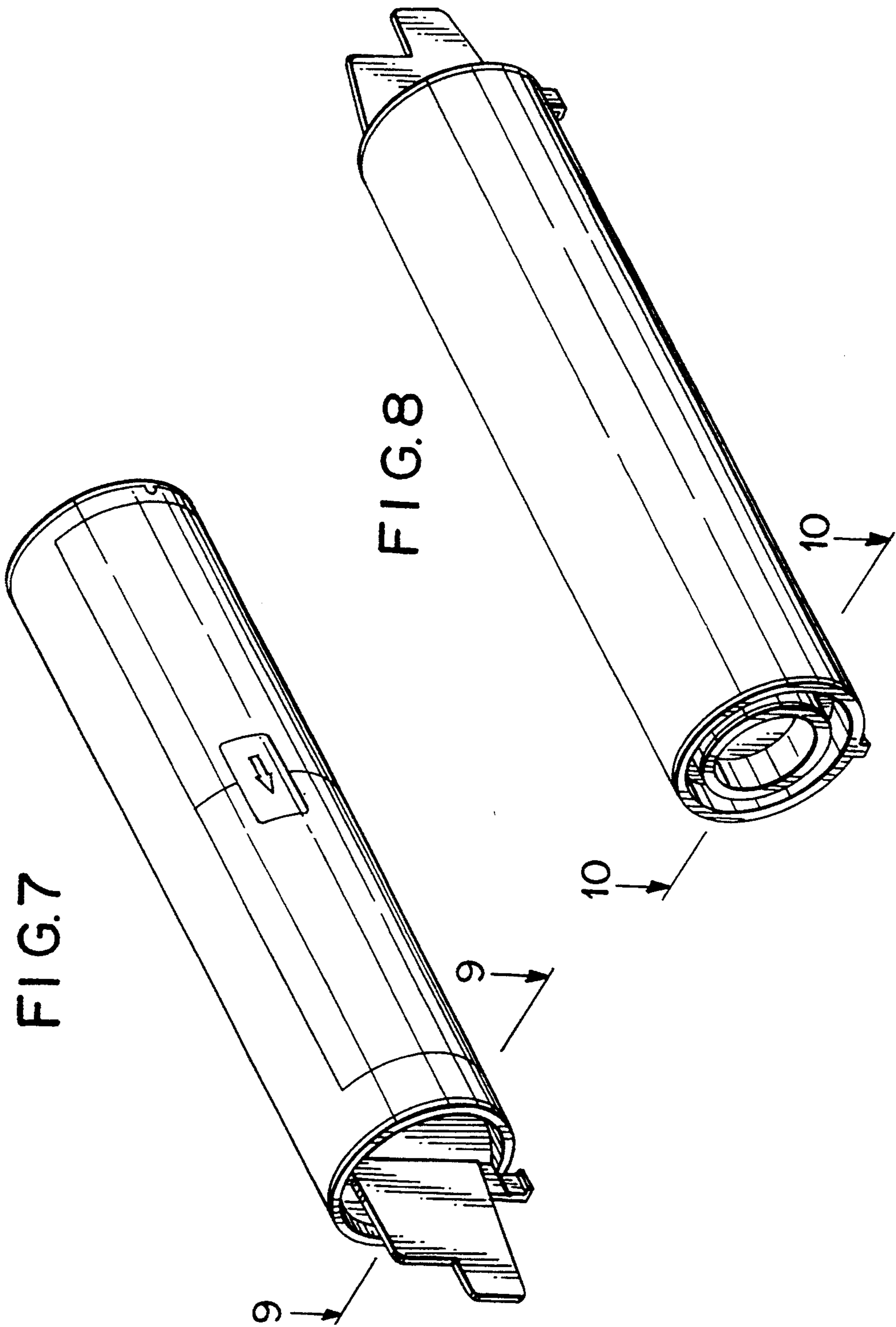


FIG. 6





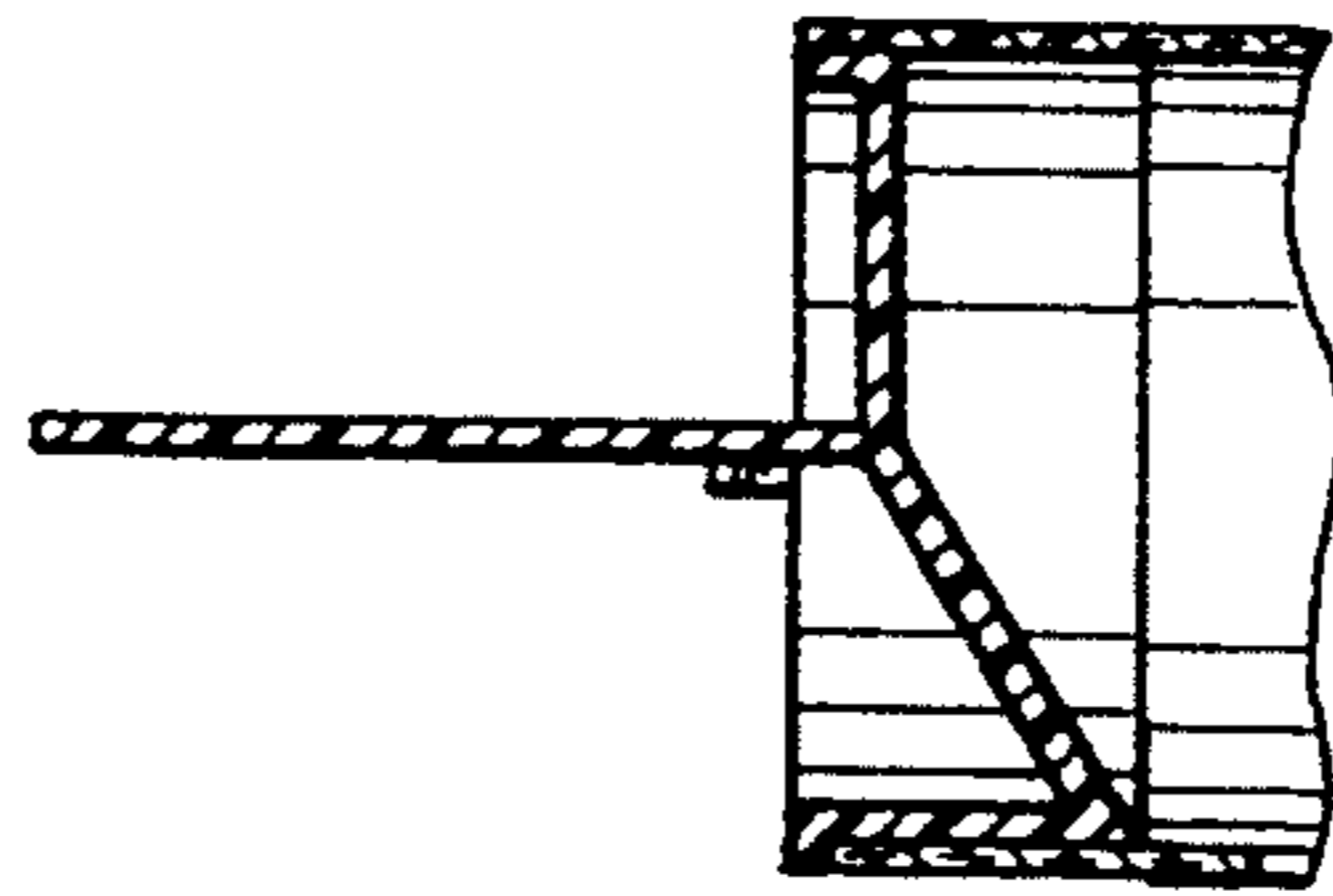


FIG. 9

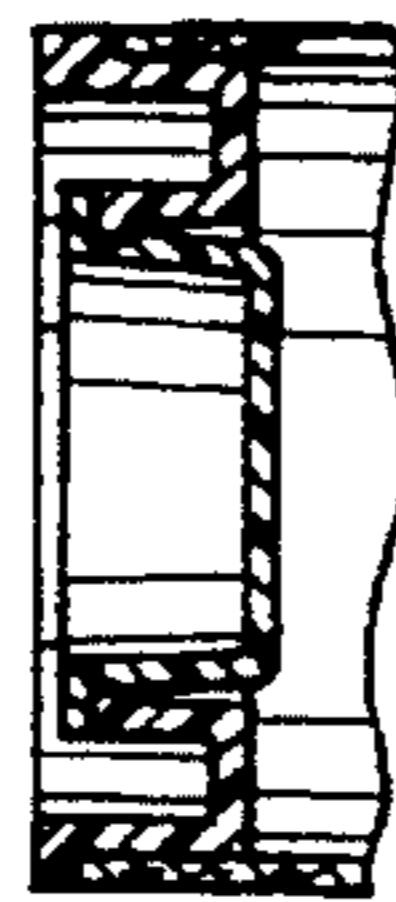


FIG. 10

UNITED STATES PATENT AND TRADEMARK OFFICE  
**CERTIFICATE OF CORRECTION**

PATENT NO. :Des.350,768

DATED :September 20, 1994

INVENTOR(S) :KISHINO

It is certified that error appears in the above-identified patent and that said Letters Patent is hereby corrected as shown below:

On the Title page, delete:

" [30] Foreign Application Priority Data  
Oct. 20, 1991 [JP] Japan.....3-32505"

Signed and Sealed this  
Fifth Day of September, 1995

Attest:



BRUCE LEHMAN

Attesting Officer

Commissioner of Patents and Trademarks