



US00D350767S

United States Patent [19]

[11] Patent Number: Des. 350,767

Kojima et al.

[45] Date of Patent: ** Sep. 20, 1994

[54] ELECTROSTATIC COPYING MACHINE

[56] References Cited

[75] Inventors: **Fumiyo Kojima**, Mitaka; **Akira Momose**, Narashino; **Mayumi Hamazaki**; **Tatsuhiko Terasaki**, both of Tokyo; **Takafumi Hoshimura**, Kawasaki; **Makoto Sugita**, Tokyo, all of Japan

U.S. PATENT DOCUMENTS

D. 263,289	3/1982	Onoue et al.	D18/38
D. 307,158	4/1990	Perry	D18/38
D. 312,267	11/1990	Biggs et al.	D18/39
D. 334,400	3/1993	Penke et al.	D18/39
5,049,929	9/1991	Anderson et al.	D18/39 X

[73] Assignee: **Ricoh Company, Ltd.**, Tokyo, Japan

Primary Examiner—Alan P. Douglas
Assistant Examiner—Caron D. Veynar
Attorney, Agent, or Firm—Oblon, Spivak, McClelland, Maier & Neustadt

[**] Term: **14 Years**

[57] CLAIM

The ornamental design for electrostatic copying machine, as shown and described.

[21] Appl. No.: **900,697**

DESCRIPTION

[22] Filed: **Jun. 17, 1992**

FIG. 1 is a top, front and right side perspective view of an electrostatic copying machine showing our new design;
FIG. 2 is a front elevational view thereof;
FIG. 3 is a rear elevational view thereof;
FIG. 4 is a top plan view thereof;
FIG. 5 is a bottom plan view thereof;
FIG. 6 is a right side elevational view thereof; and,
FIG. 7 is a left side elevational view thereof.

[30] Foreign Application Priority Data

Dec. 17, 1991 [JP] Japan 3-38035

[52] U.S. Cl. **D18/38; D18/39**

[58] Field of Search 354/89, 90, 297, 299; 355/200, 210, 233, 234; D18/36-40; D15/80

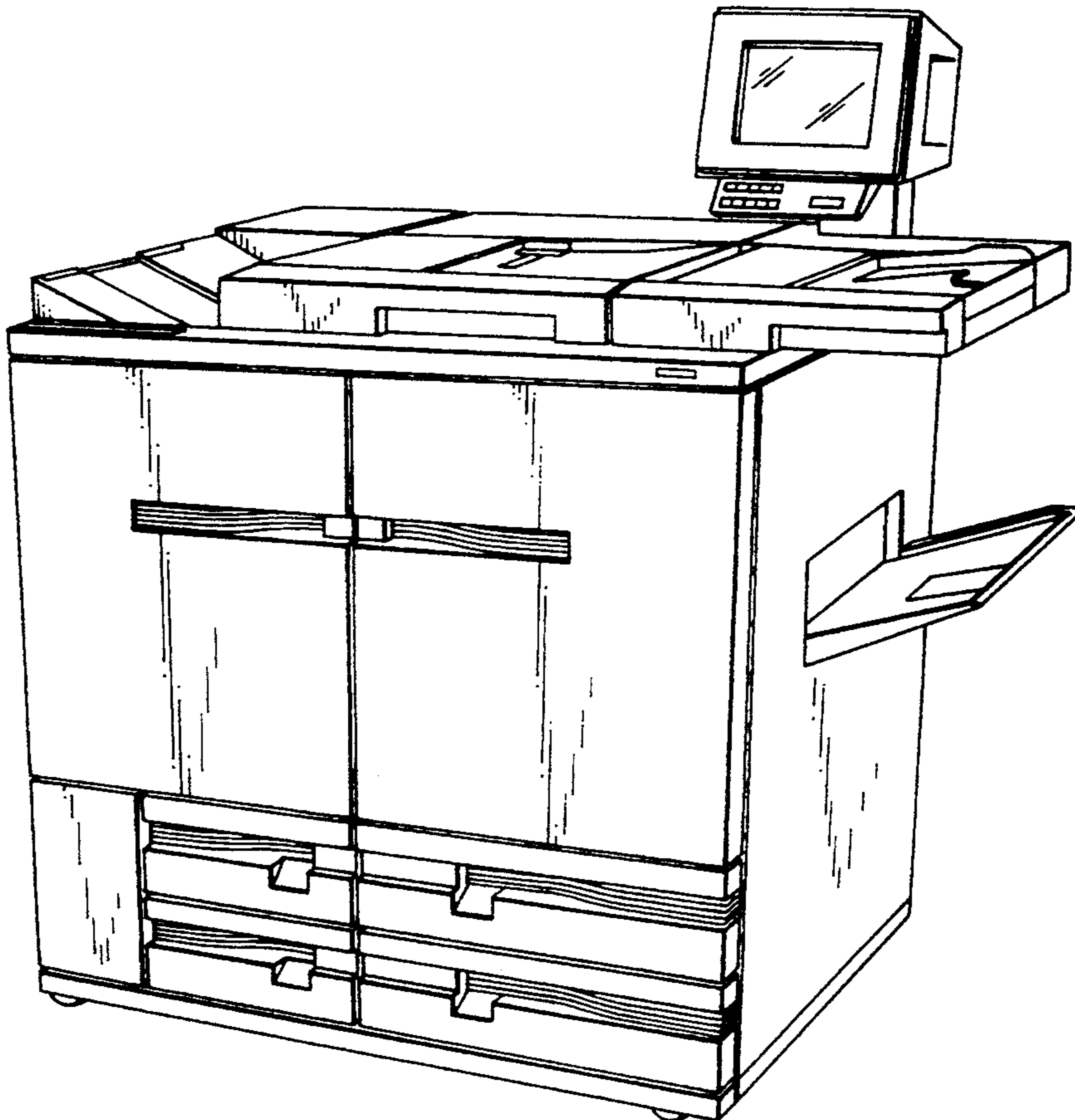


FIG. 1

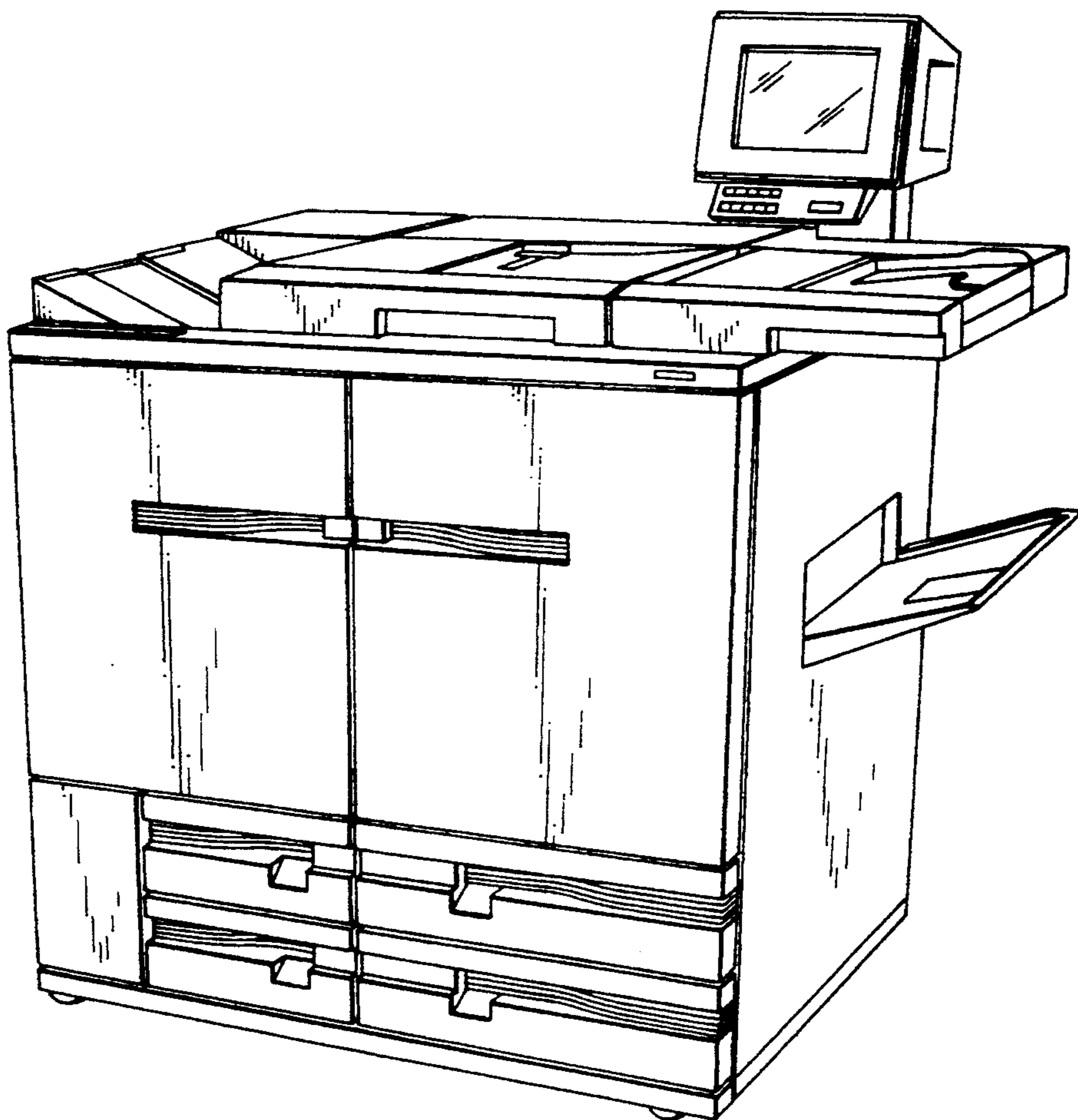


FIG. 3

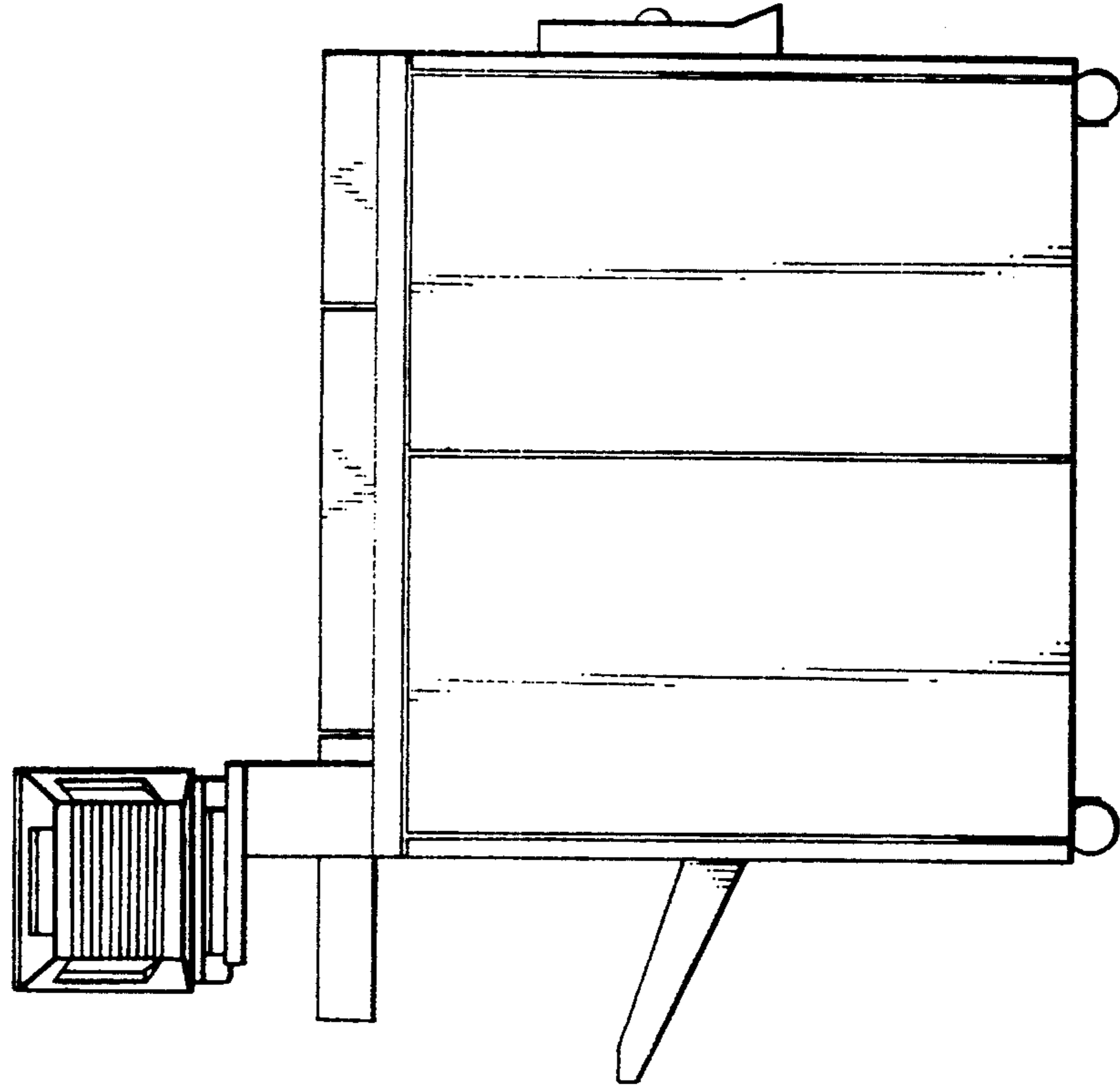


FIG. 2

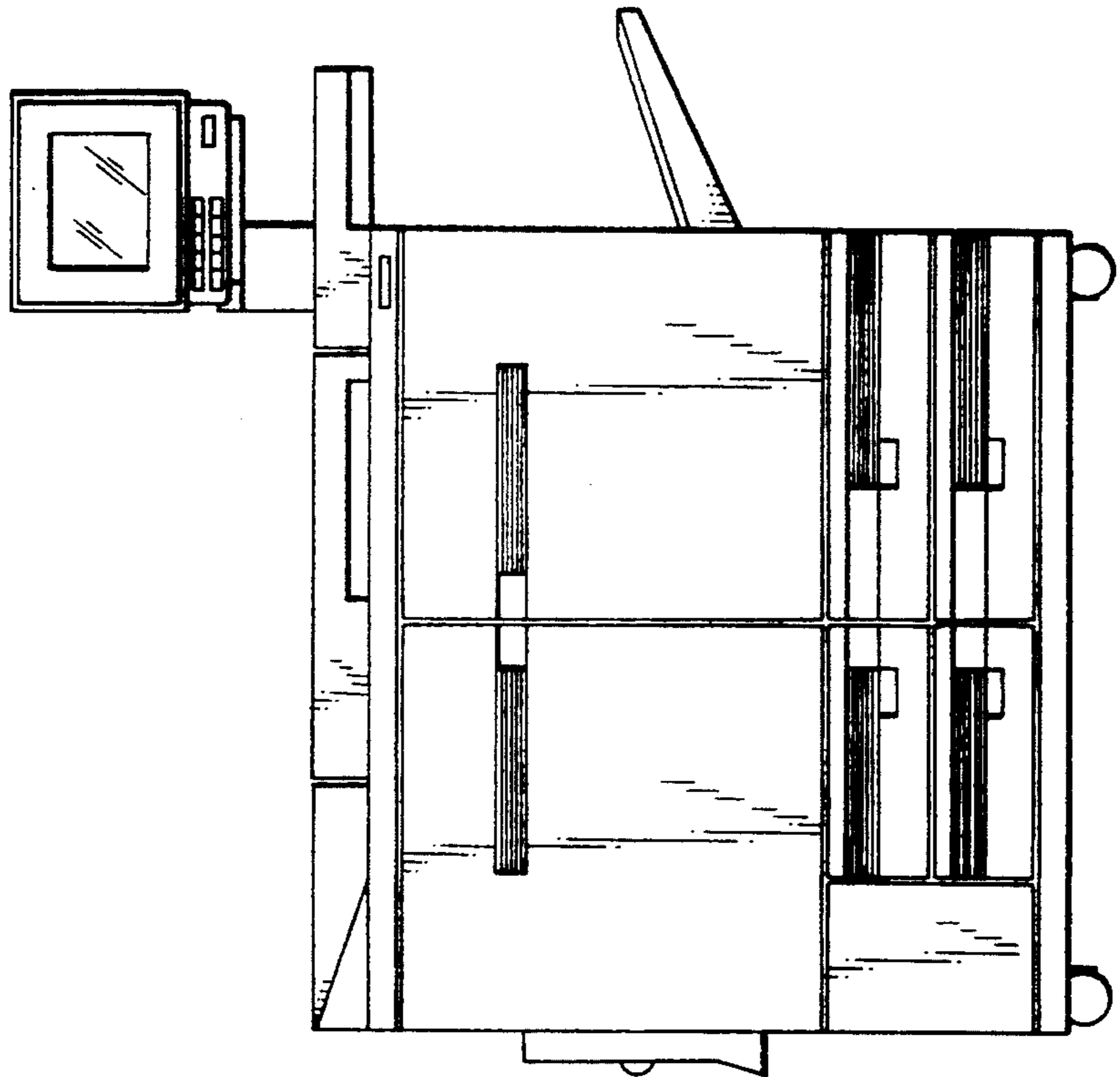


FIG. 4

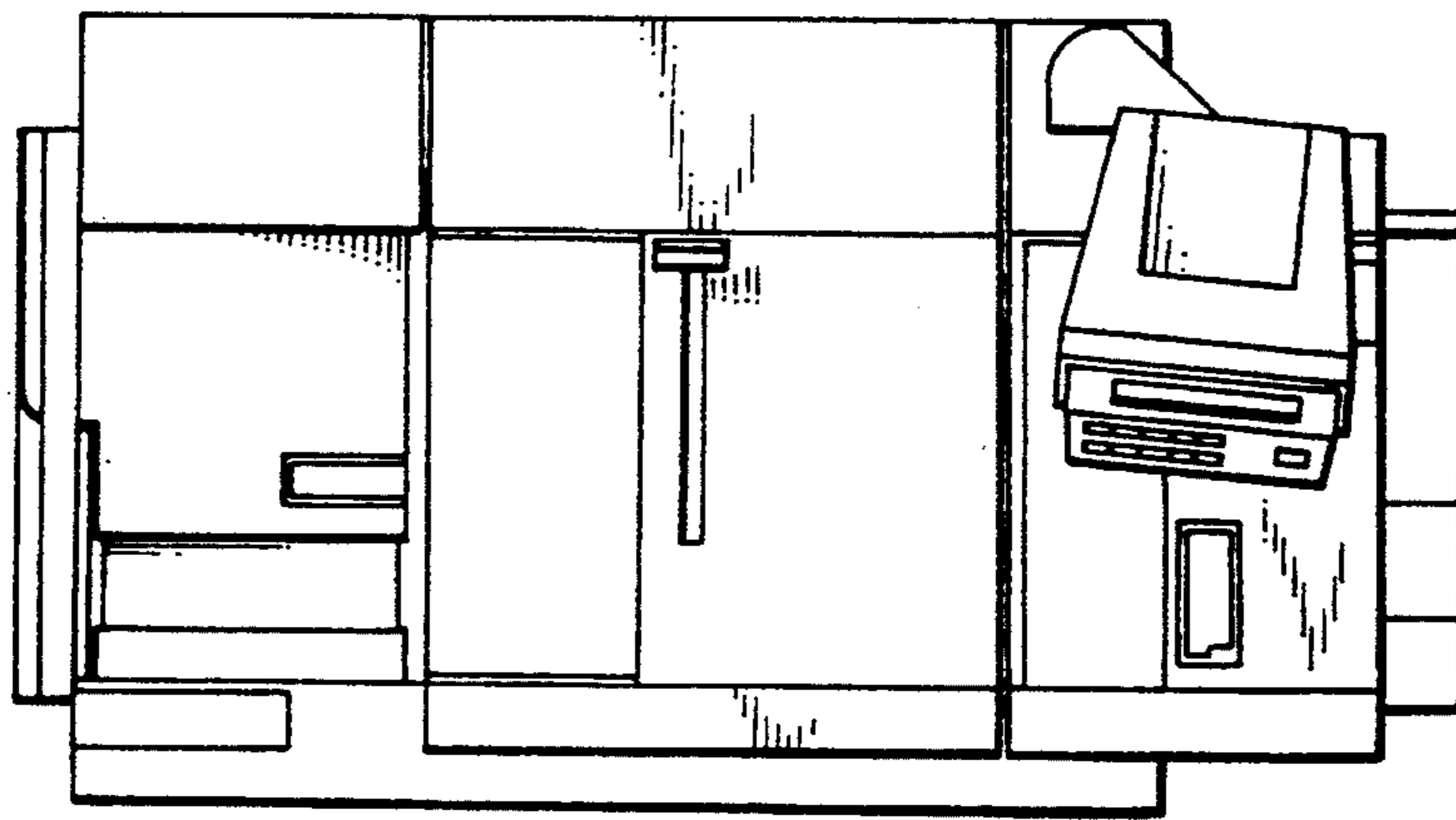


FIG. 5

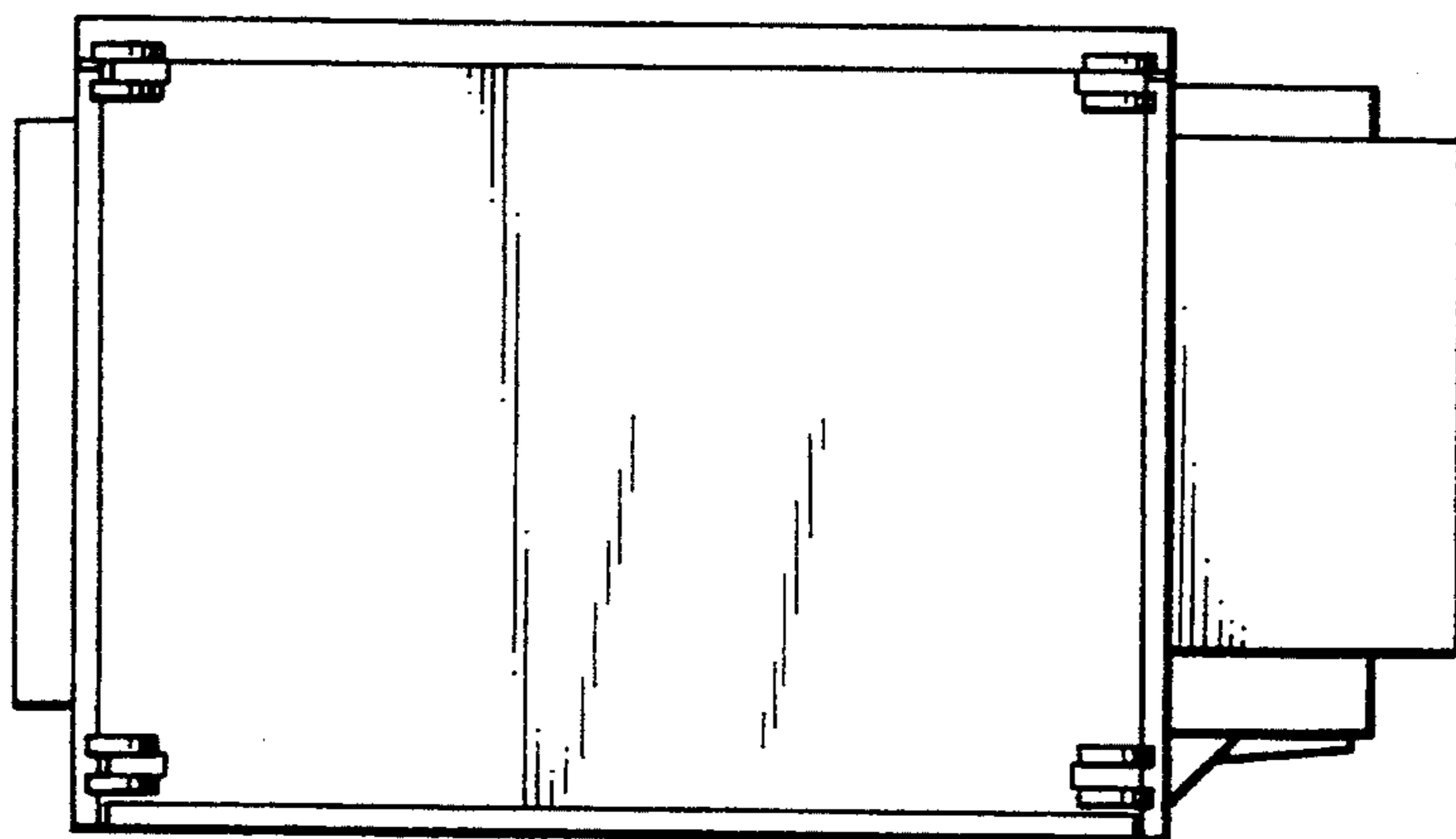


FIG. 7

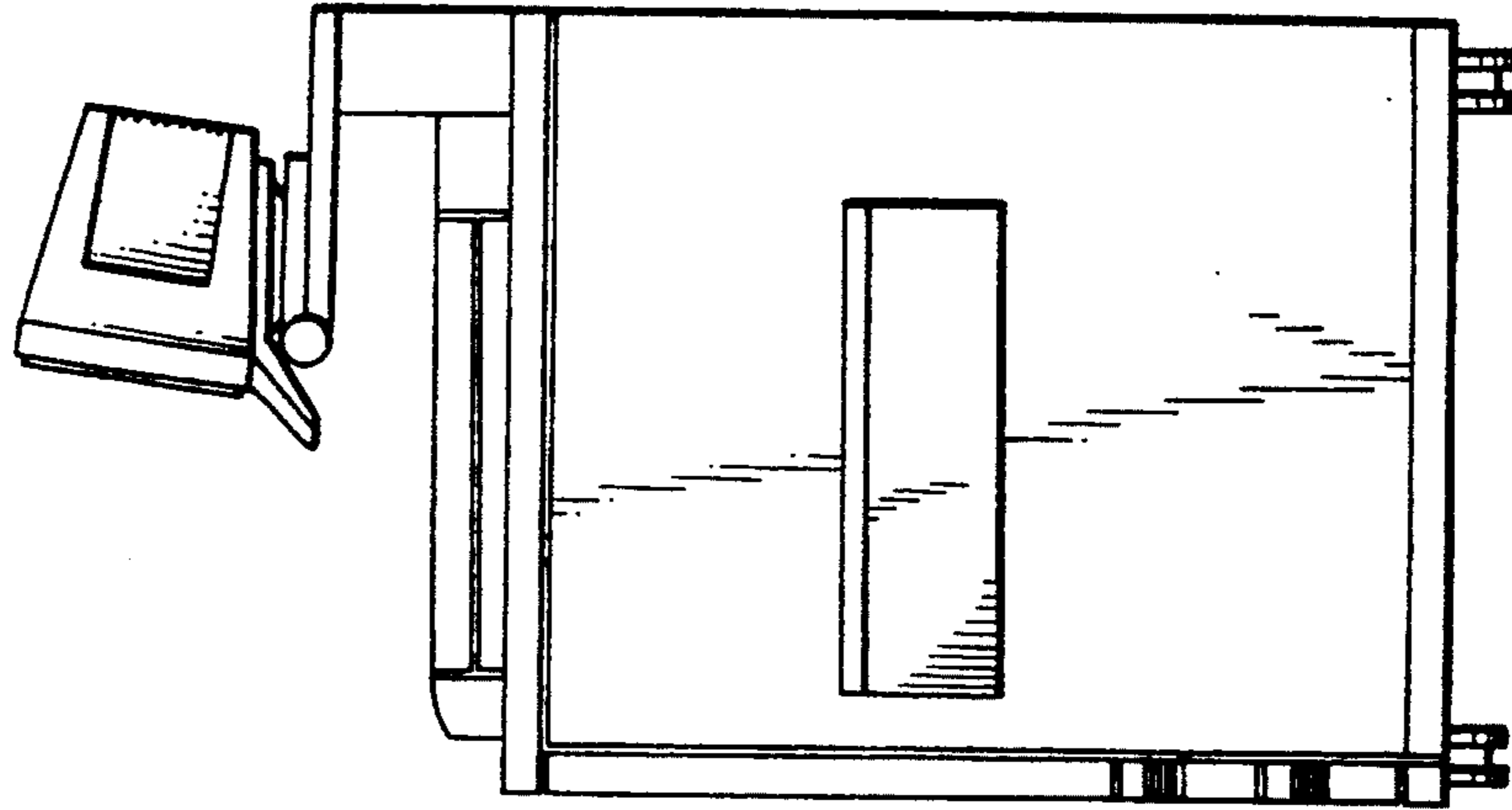


FIG. 6

